



US00D773992S

(12) **United States Design Patent** (10) **Patent No.:** **US D773,992 S**
Krantz et al. (45) **Date of Patent:** **** Dec. 13, 2016**

(54) **ENERGY STORAGE AND POWER SUPPLY DEVICE**

(71) Applicant: **Goal Zero LLC**, Bluffdale, UT (US)

(72) Inventors: **Norman L. Krantz**, Draper, UT (US);
Henry J. Howell, Herriman, UT (US)

(73) Assignee: **GOAL ZERO LLC**, Bluffdale, UT (US)

(**) Term: **14 Years**

(21) Appl. No.: **29/498,046**

(22) Filed: **Jul. 30, 2014**

(51) **LOC (10) Cl.** **13-02**

(52) **U.S. Cl.**
USPC **D13/110**

(58) **Field of Classification Search**
USPC D13/110, 101, 102, 103, 107, 108, 118, D13/119, 123, 184, 199; 307/62, 82, 109, 150, 307/151; 320/104, 107, 111, 112, 113, 115, 320/132, 134, 150; 361/600, 601, 623; 429/96, 429/97, 98, 99, 100, 163, 170, 176
CPC H02J 7/00; H02J 7/027; H02J 7/0042; H02J 7/0045; H02J 7/0047; H02J 7/0063; H02M 7/00; H02M 7/003; H01M 2/202; H01M 2/204; H01M 2/1022; H01M 2/342; H05K 5/023

See application file for complete search history.

(56) **References Cited**

U.S. PATENT DOCUMENTS

D280,318 S	*	8/1985	Barone	D13/110
D377,335 S	*	1/1997	Katooka	D13/110
D527,340 S	*	8/2006	Christiani	D13/107
D615,035 S	*	5/2010	Farris-Gilbert	D13/110
D624,876 S	*	10/2010	Daniels	D13/107
D629,746 S		12/2010	Workman et al.		
D651,564 S		1/2012	Workman et al.		

(Continued)

OTHER PUBLICATIONS

U.S. Appl. No. 29/458,766, filed Jun. 21, 2013, Goal Zero LLC.

(Continued)

Primary Examiner — Derrick Holland

(74) *Attorney, Agent, or Firm* — Foley & Lardner LLP

(57) **CLAIM**

We claim the ornamental design for an energy storage and power supply device, as shown and described.

DESCRIPTION

FIG. 1 is a front perspective view of a first embodiment of an energy storage and power supply device showing our new design;

FIG. 2 is a front elevation view thereof;

FIG. 3 is a rear elevation view thereof;

FIG. 4 is a left side view thereof;

FIG. 5 is a right side view thereof;

FIG. 6 is a top plan view thereof;

FIG. 7 is a bottom plan view thereof;

FIG. 8 is a front perspective view of a second embodiment of an energy storage and power supply device showing our new design;

FIG. 9 is a front elevation view thereof;

FIG. 10 is a rear elevation view thereof;

FIG. 11 is a left side view thereof;

FIG. 12 is a right side view thereof;

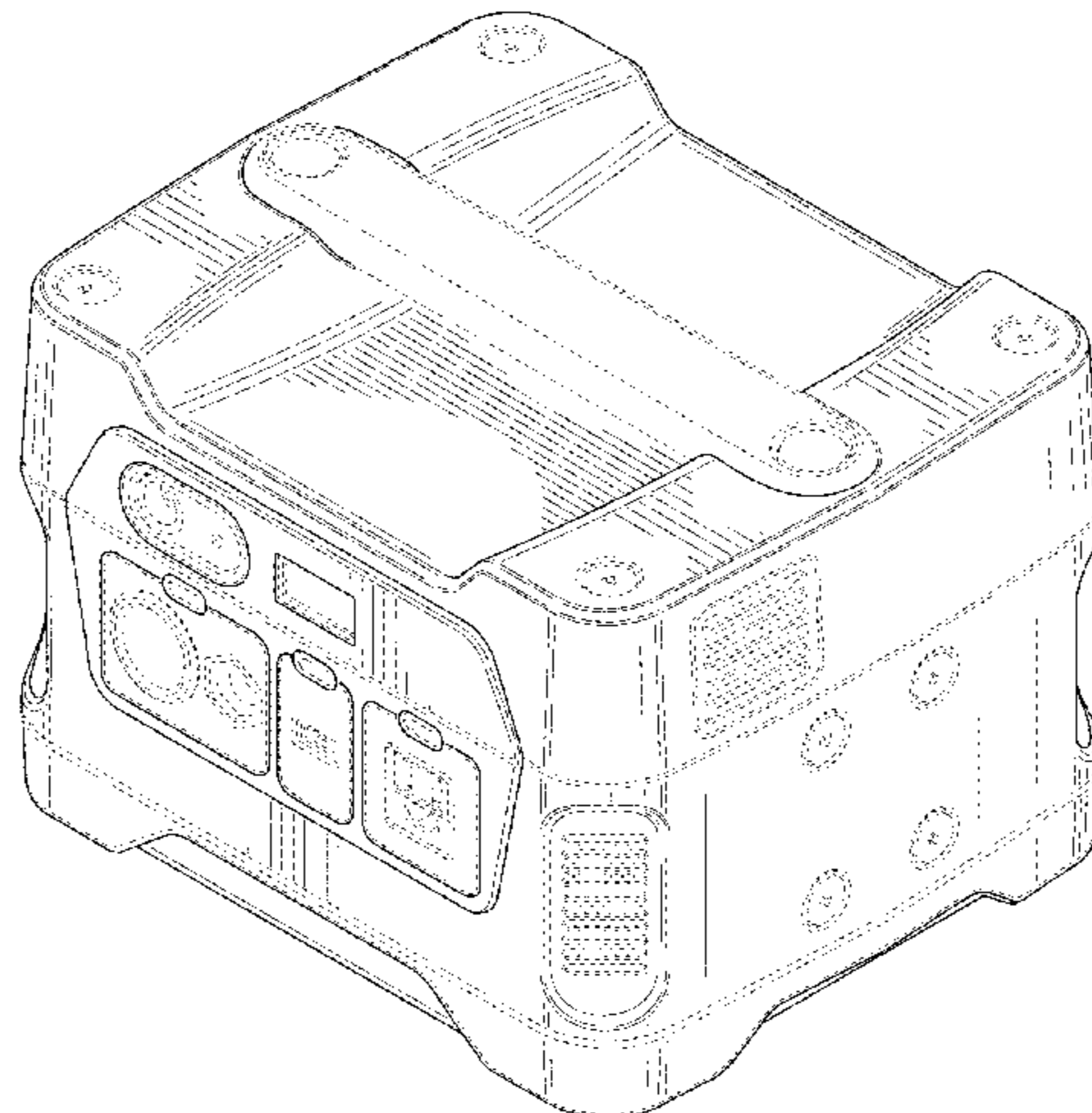
FIG. 13 is a top plan view thereof; and,

FIG. 14 is a bottom plan view thereof.

The energy storage and power supply device in FIGS. 8-14 has been shown with symbolic breaks in its length. The appearance of any portion of the article between the break lines forms no part of the claimed design.

The broken lines shown represent unclaimed subject matter and forms no part of the claimed design. The broken dash-dot lines show the unclaimed boundaries between claimed and unclaimed portions of the design and form no part of the claimed design.

1 Claim, 14 Drawing Sheets



(56)

References Cited

U.S. PATENT DOCUMENTS

D664,499 S 7/2012 Workman et al.
D668,221 S * 10/2012 McKune D13/110
8,434,894 B2 5/2013 Workman et al.
D695,680 S 12/2013 Workman et al.
D716,726 S 11/2014 Workman et al.
9,182,088 B2 11/2015 Workman et al.
2001/0043052 A1 * 11/2001 Griffey H02M 7/003
320/114
2012/0025766 A1 * 2/2012 Reade H02J 7/0042
320/110
2013/0043826 A1 2/2013 Workman et al.
2013/0183562 A1 7/2013 Workman et al.

OTHER PUBLICATIONS

U.S. Appl. No. 29/513,752, filed Jan. 5, 2015, Goal Zero LLC.
U.S. Appl. No. 29/535,212, filed Aug. 4, 2015, Goal Zero LLC.
U.S. Appl. No. 62/099,905, filed Jan. 5, 2015, Goal Zero LLC.

* cited by examiner

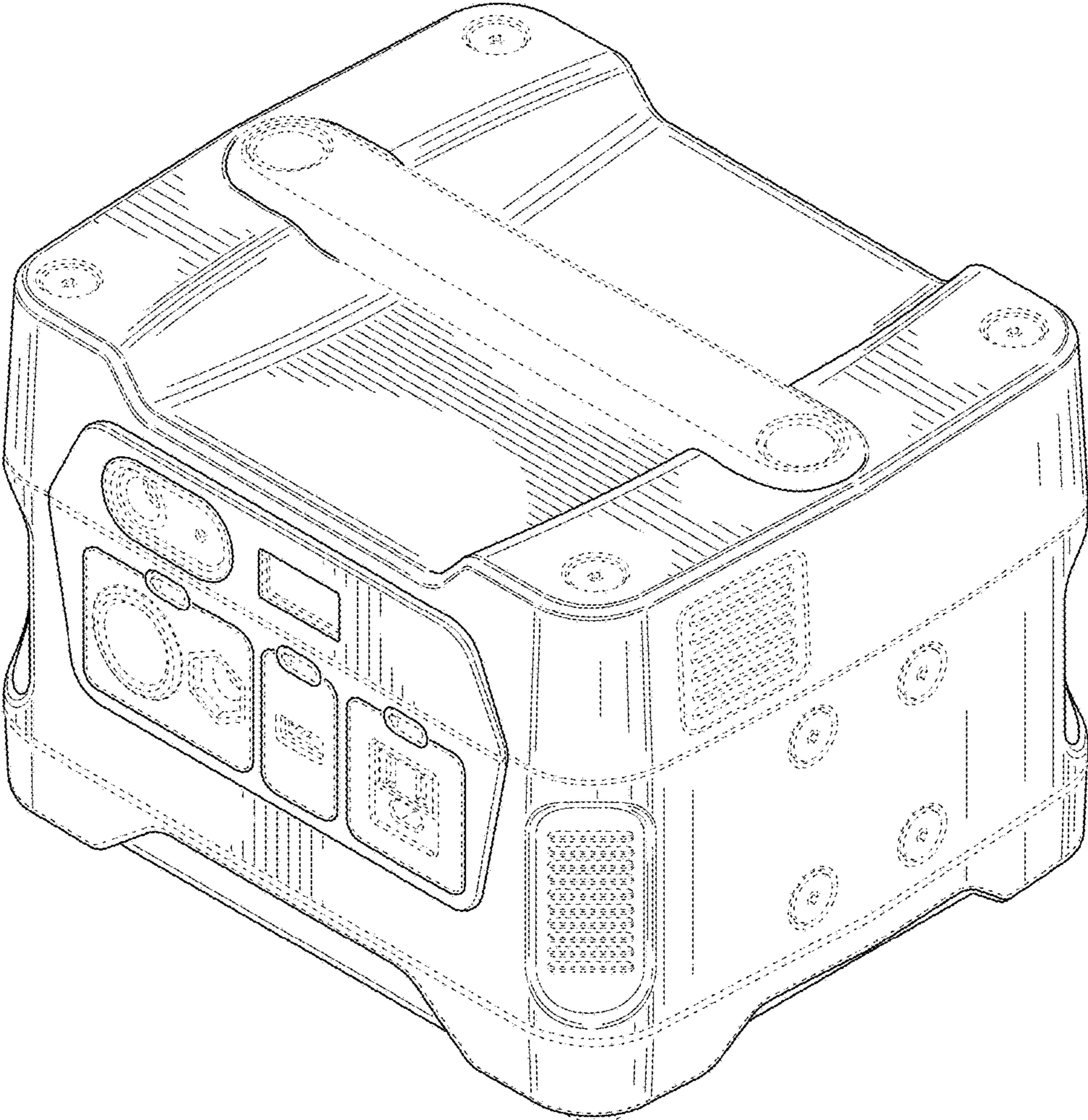


FIG. 1

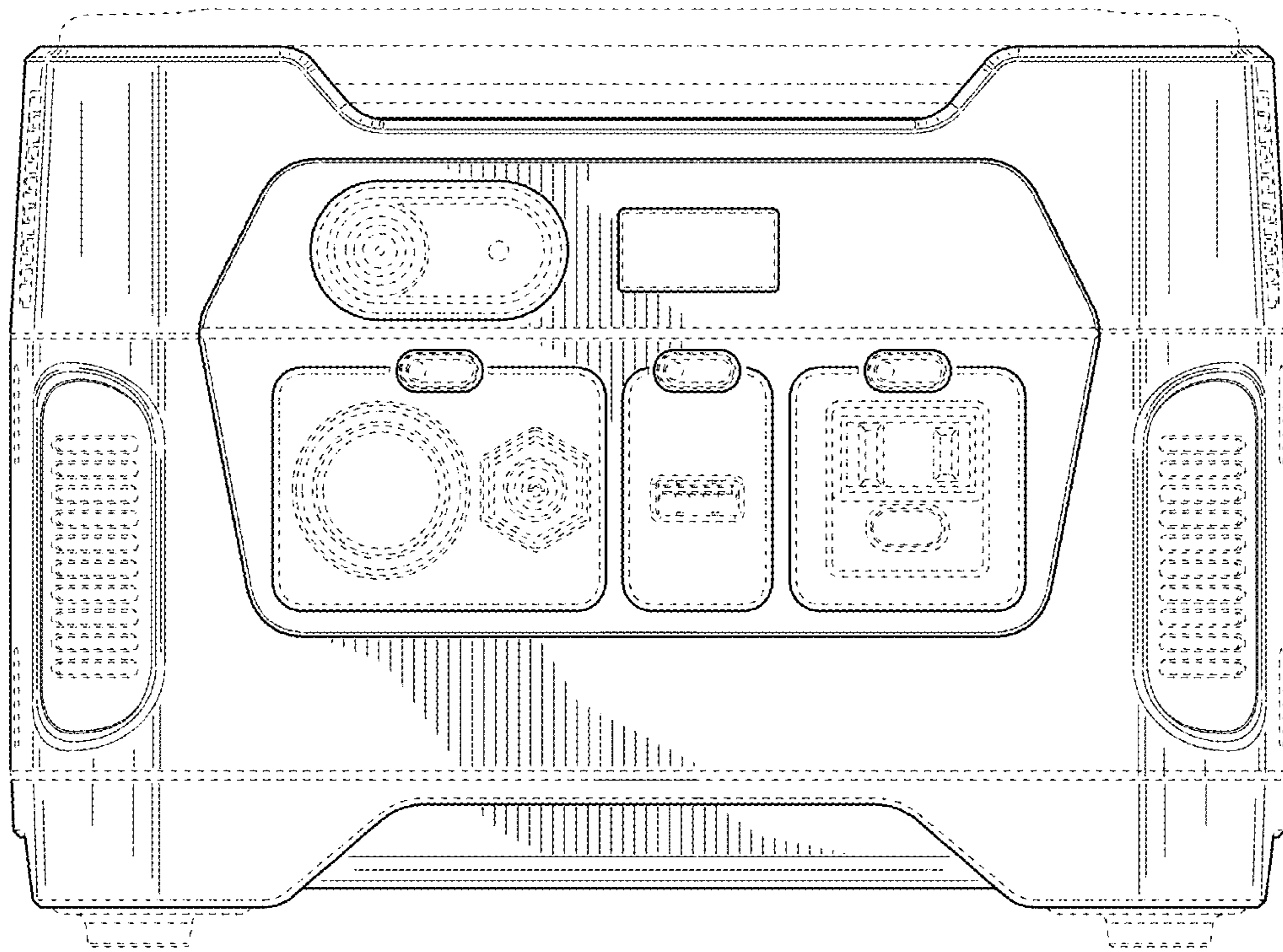


FIG. 2

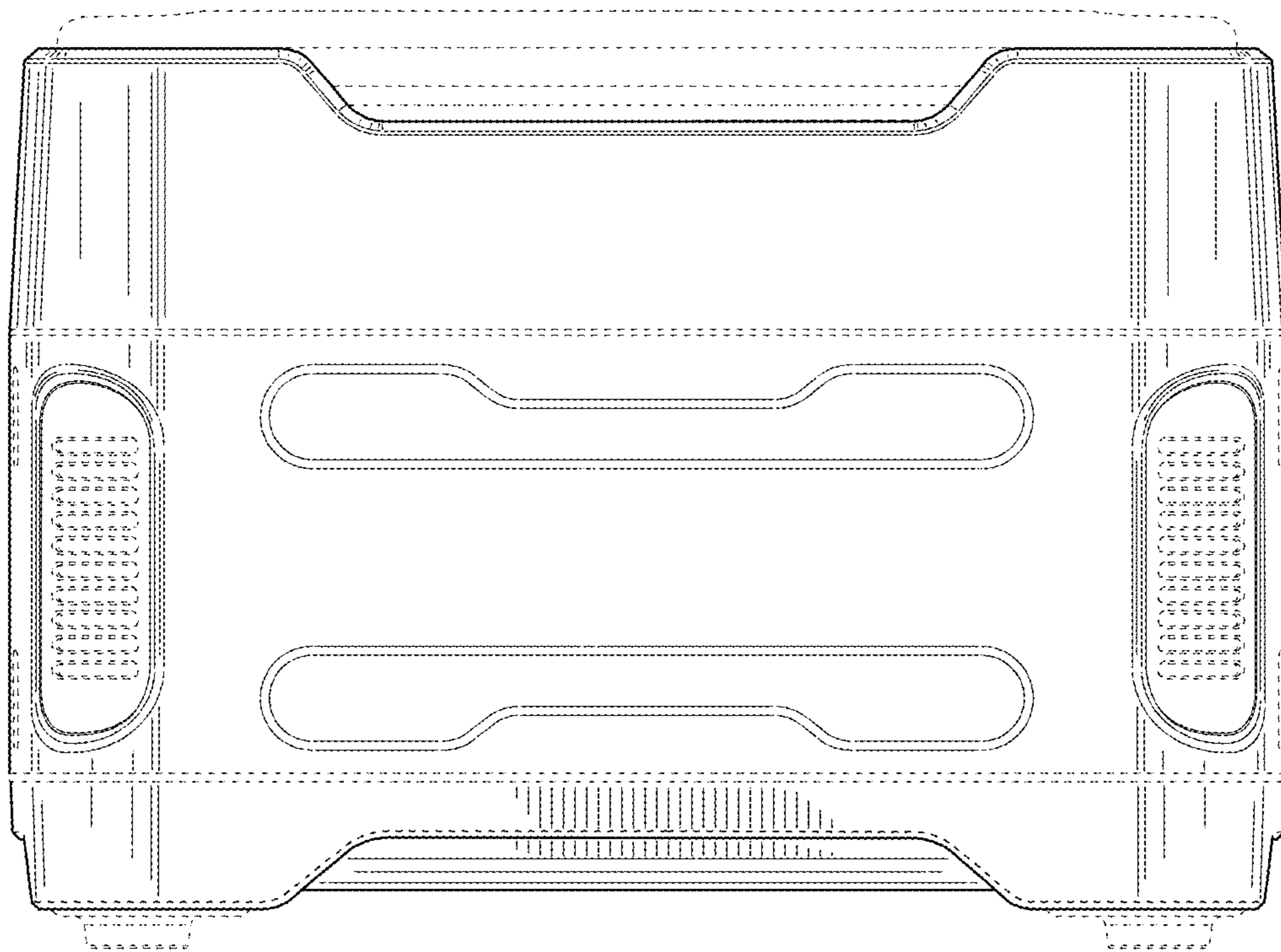


FIG. 3

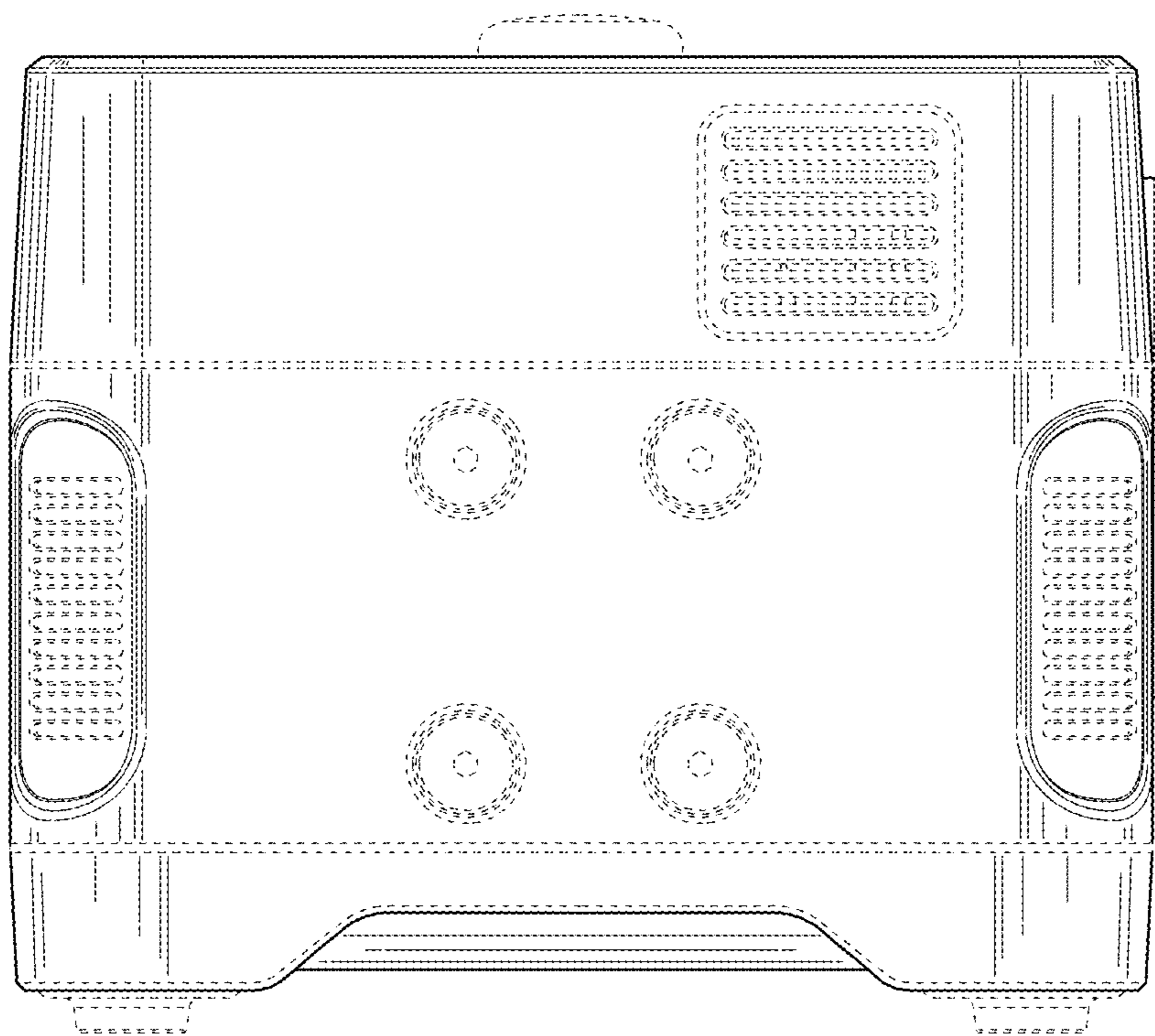


FIG. 4

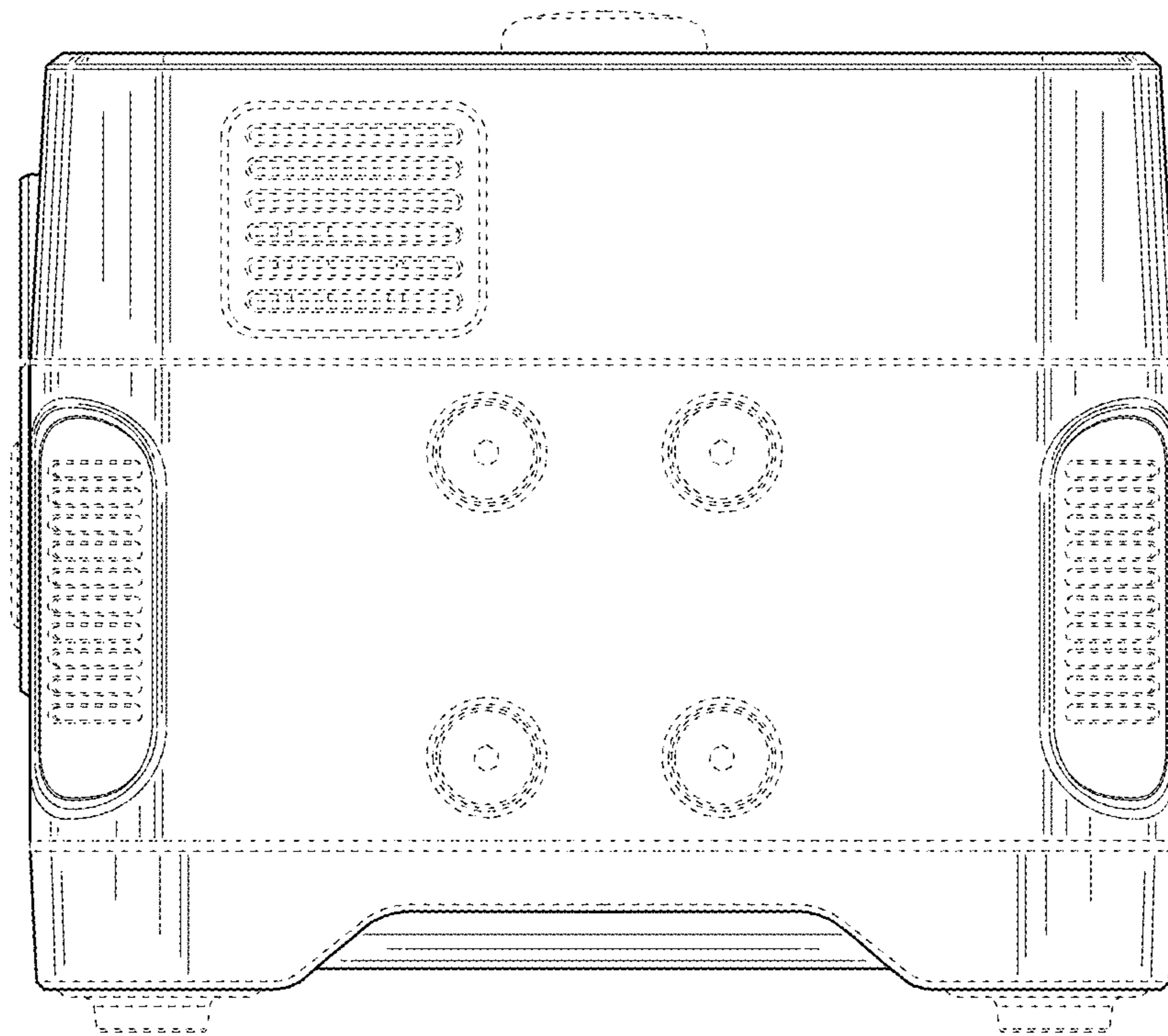


FIG. 5

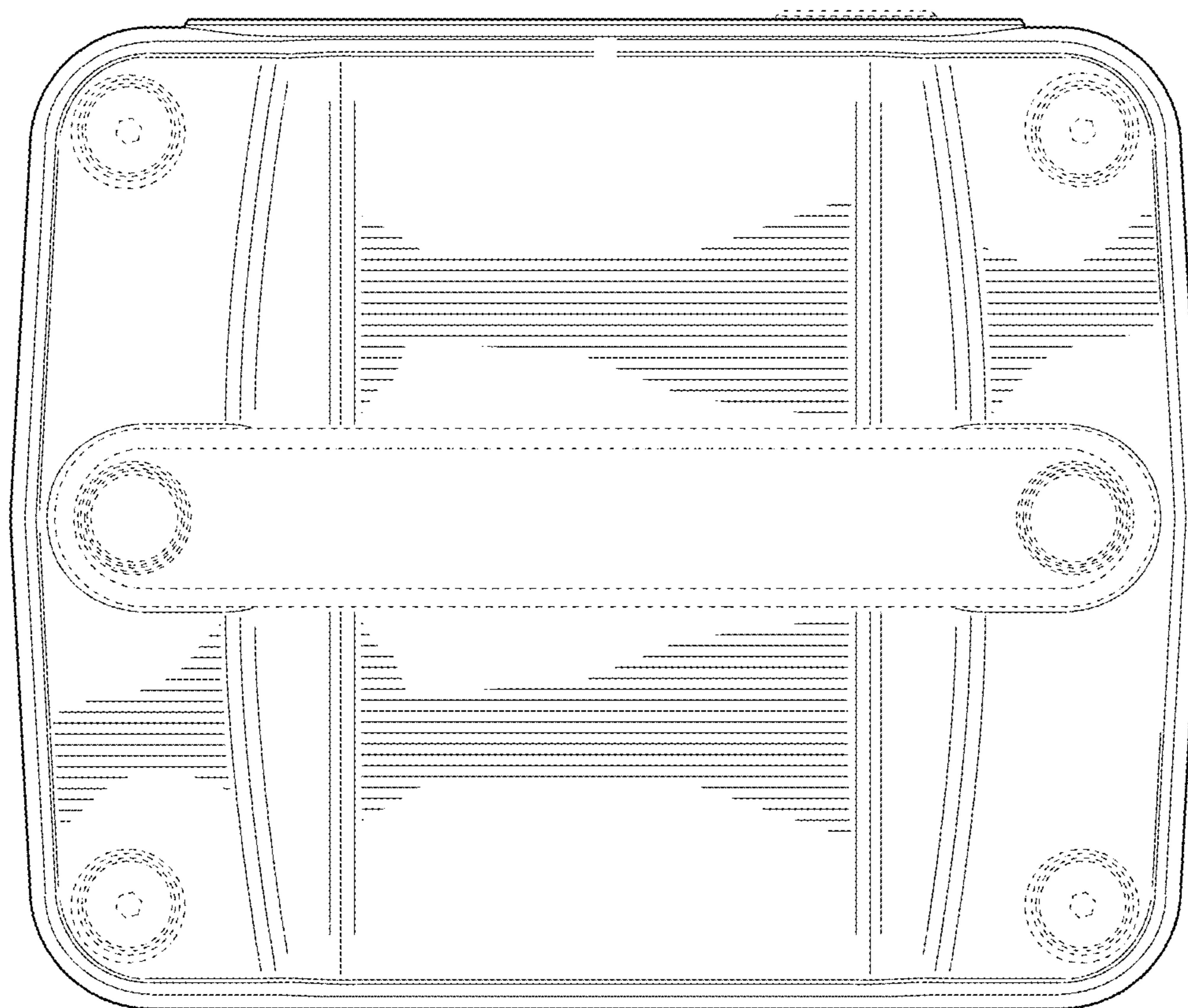


FIG. 6

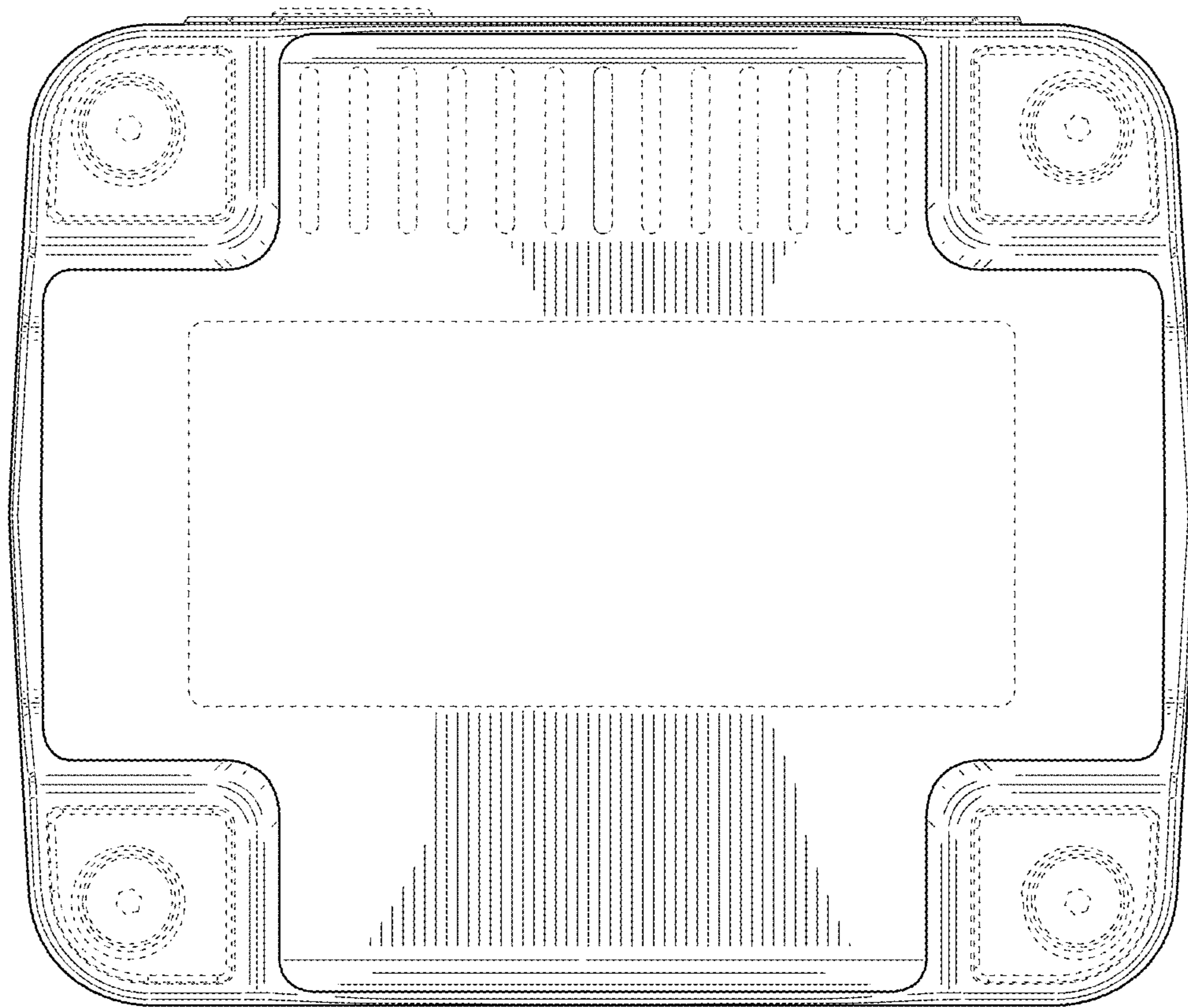


FIG. 7

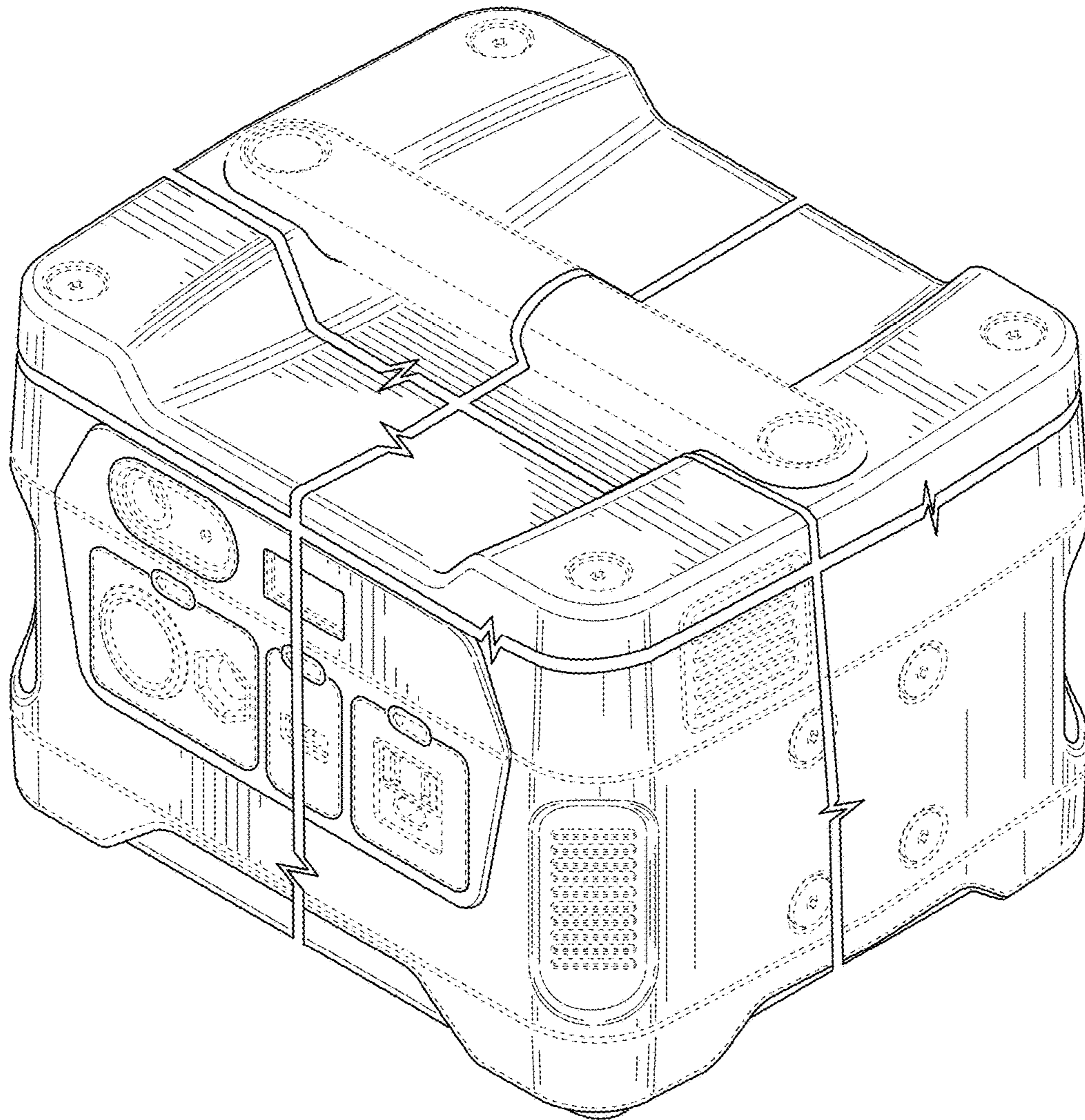


FIG. 8

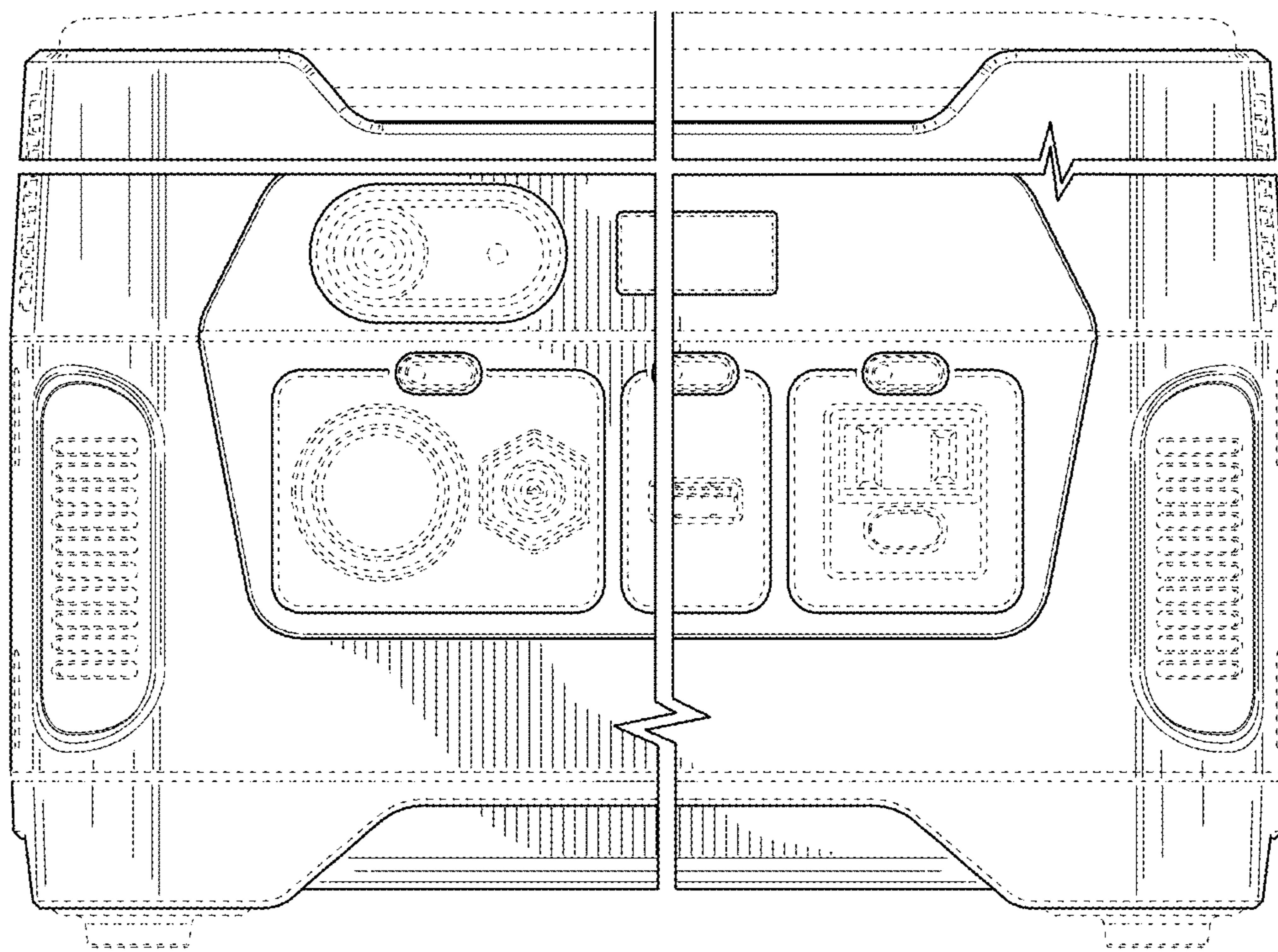


FIG. 9

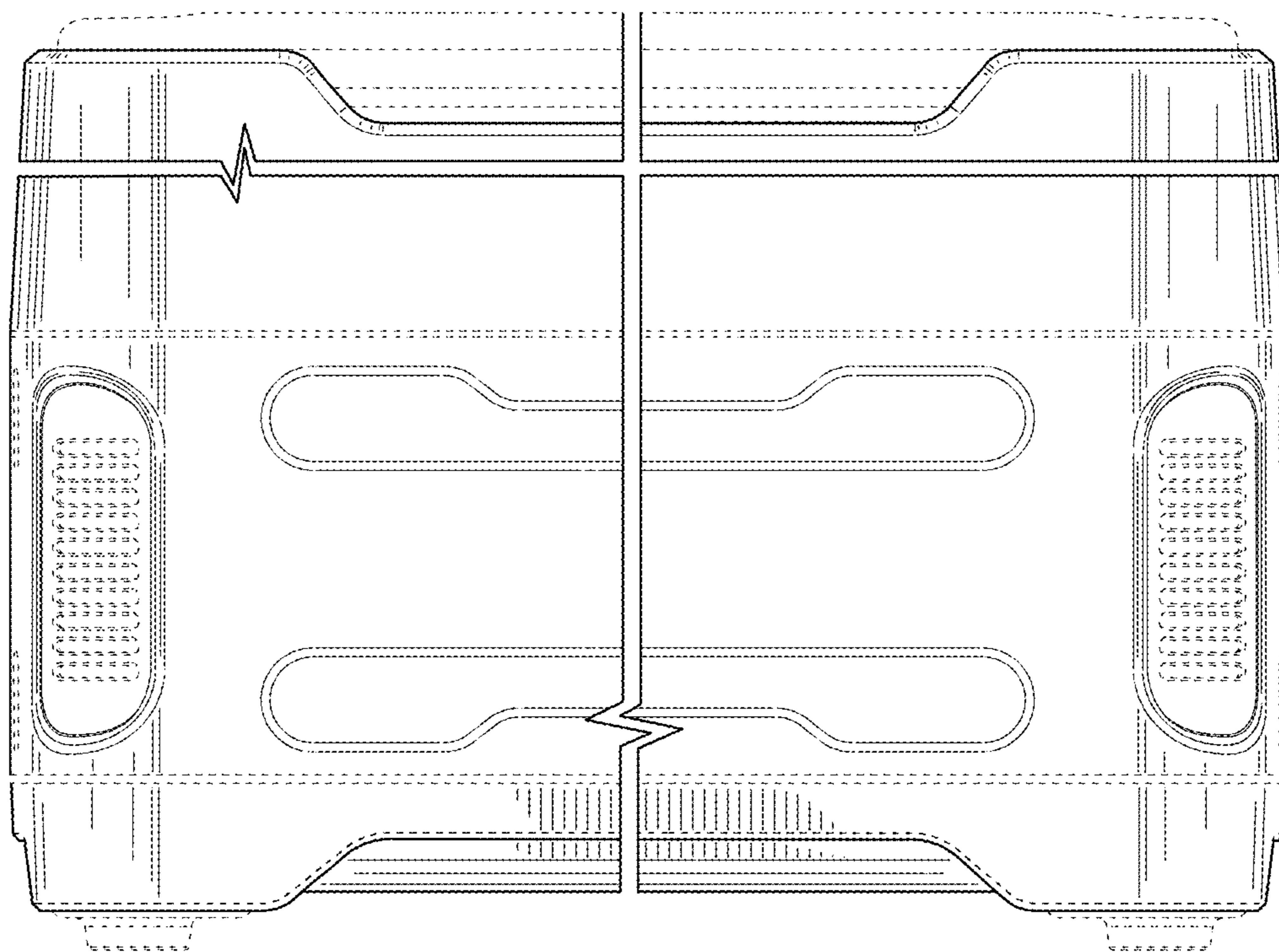


FIG. 10

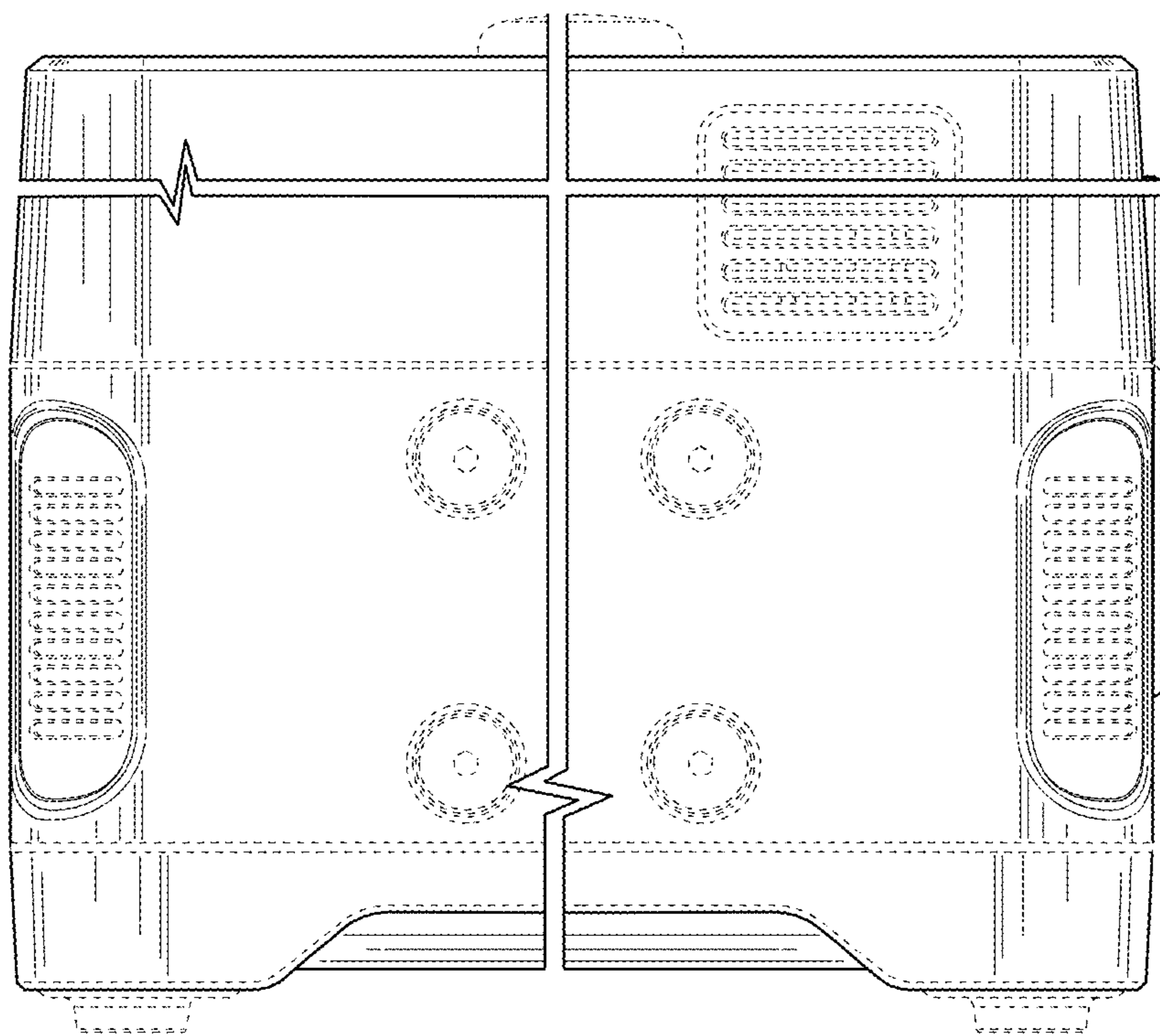


FIG. 11

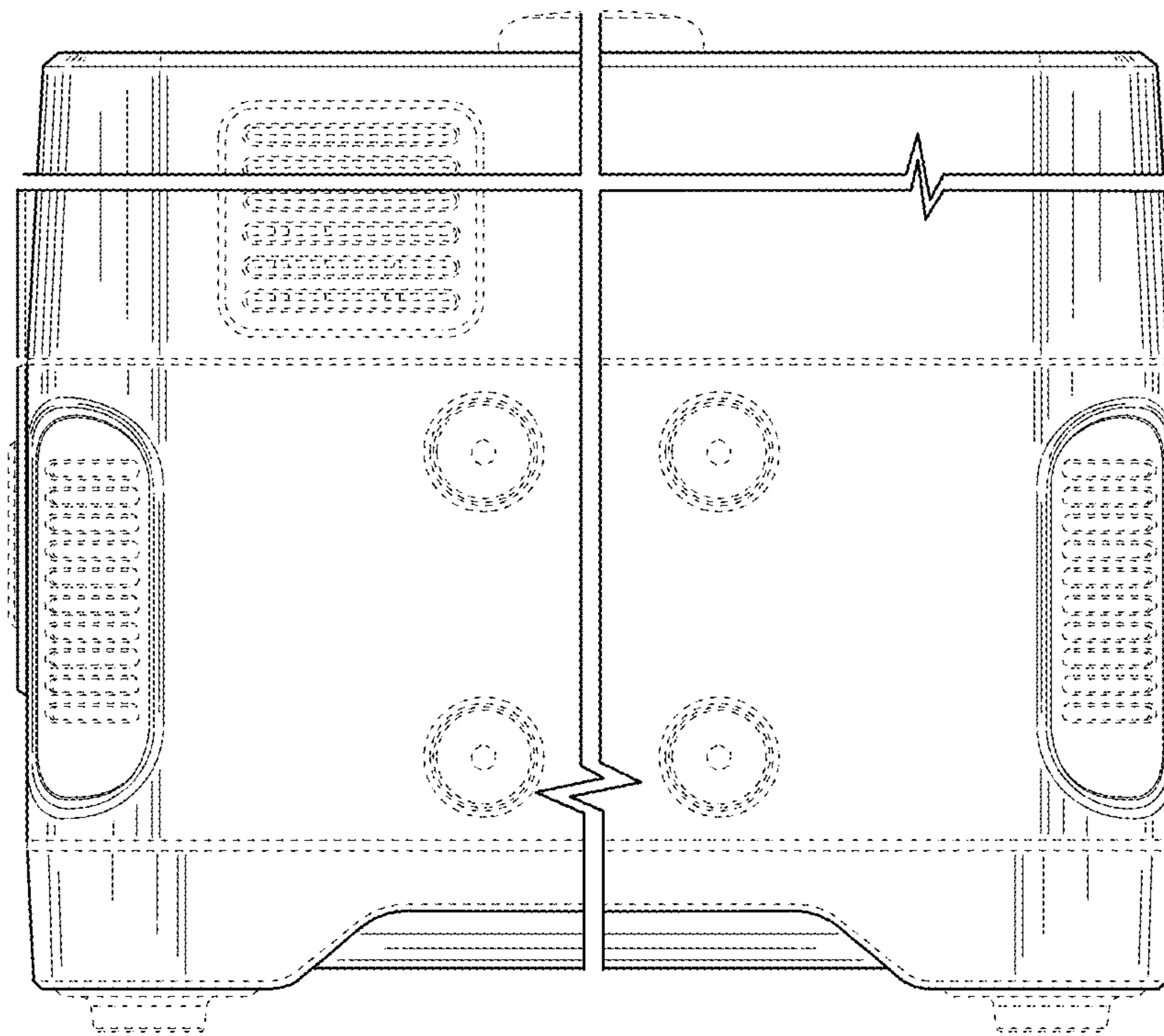


FIG. 12

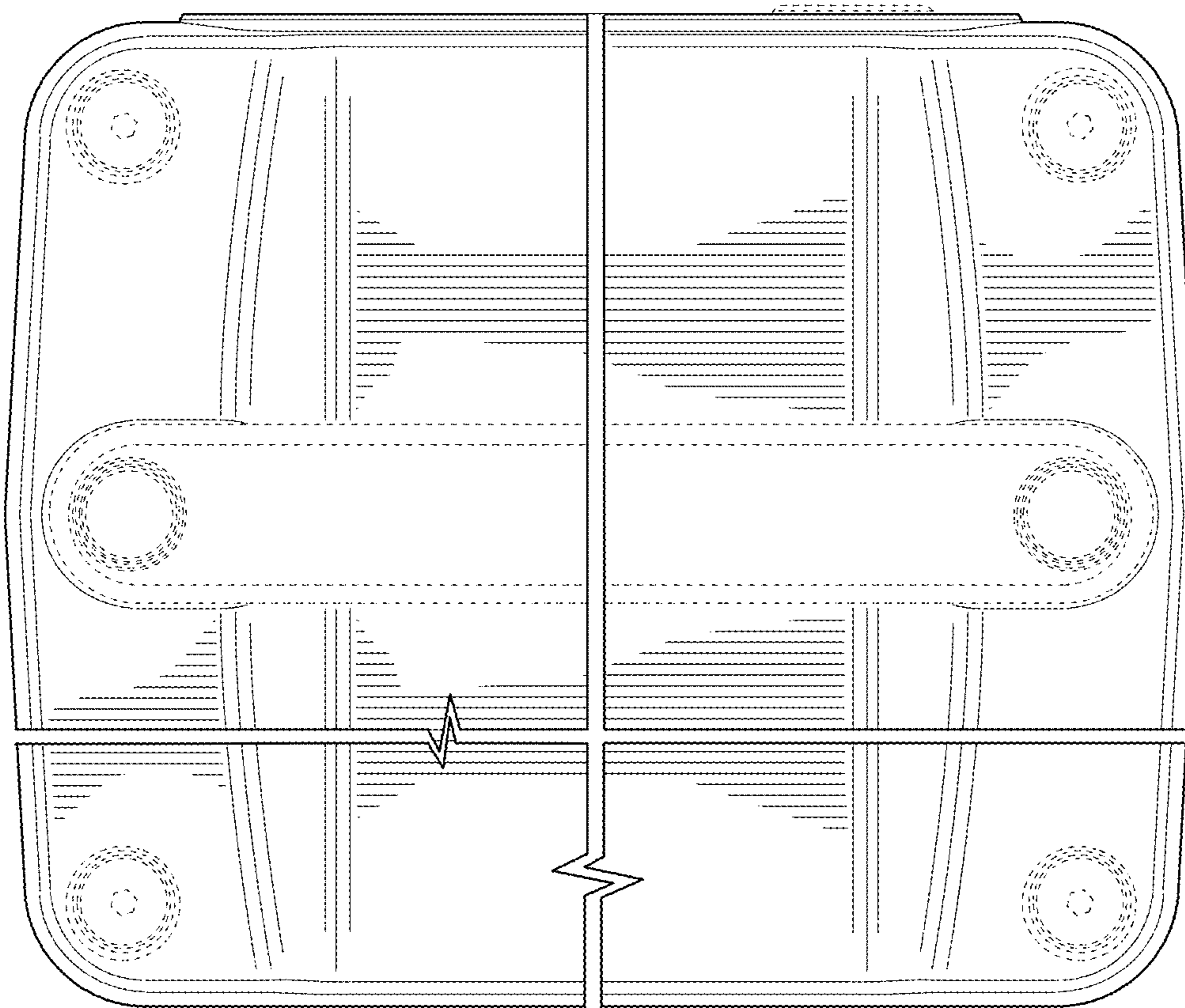


FIG. 13

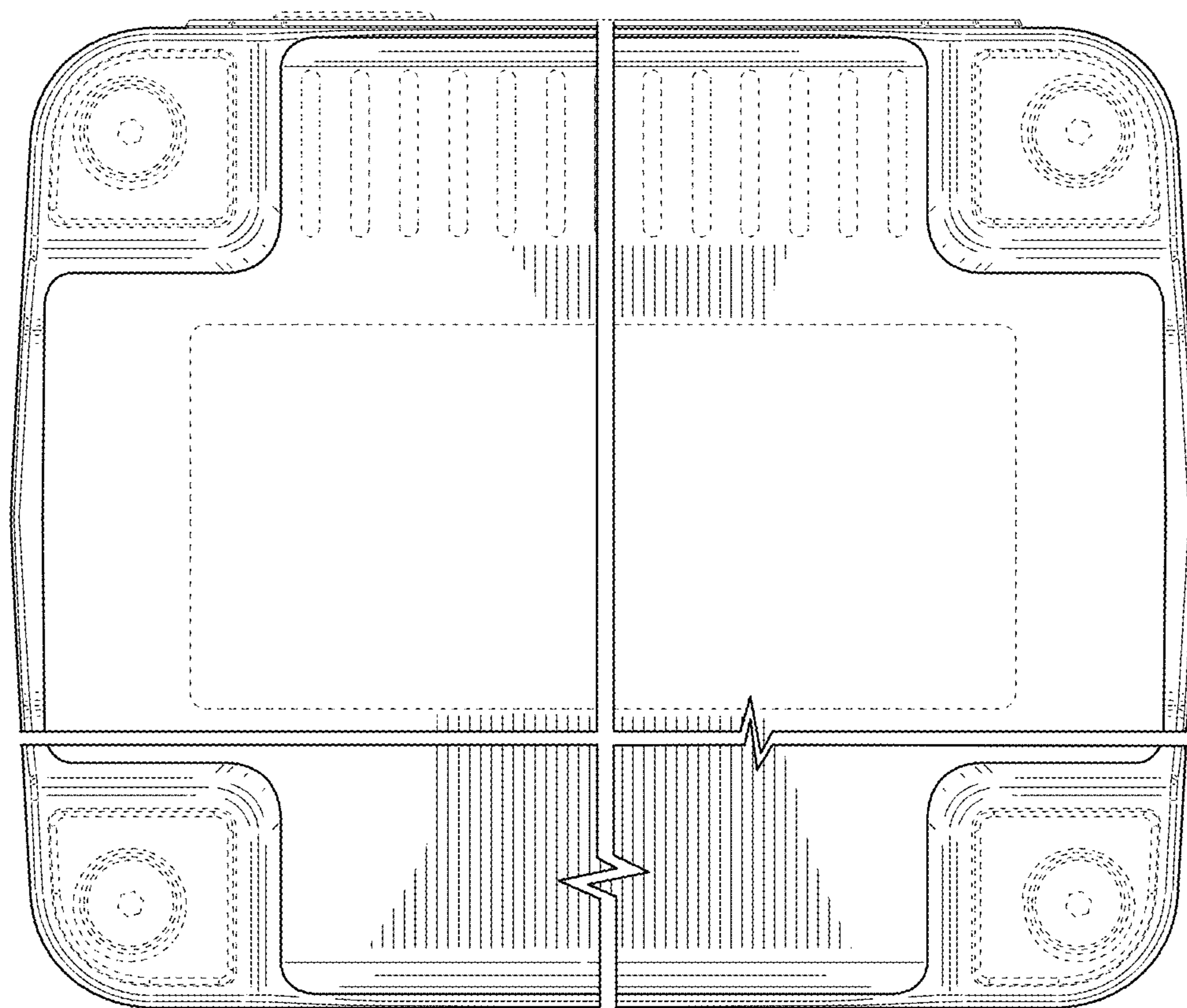


FIG. 14