



US00D773991S

(12) **United States Design Patent**
Liu et al.

(10) **Patent No.:** **US D773,991 S**

(45) **Date of Patent:** **** Dec. 13, 2016**

(54) **MULTI-INTERFACE CHARGER**

(71) Applicant: **Tech-Power Electronics (Shenzhen) Co., Ltd.**, Shenzhen, Guangdong (CN)

(72) Inventors: **Jiehua Liu**, Guangdong (CN); **Ping Wang**, Guangdong (CN); **Yang Zhang**, Guangdong (CN); **Na Li**, Guangdong (CN)

(73) Assignee: **TECH-POWER ELECTRONICS (SHENZHEN) CO., LTD.**, Shenzhen (CN)

(**) Term: **15 Years**

(21) Appl. No.: **29/536,053**

(22) Filed: **Aug. 13, 2015**

(30) **Foreign Application Priority Data**

Jun. 18, 2015 (CN) 2015 3 0203474

(51) **LOC (10) Cl.** **13-02**

(52) **U.S. Cl.**
USPC **D13/107**

(58) **Field of Classification Search**
USPC D13/107–110, 118–119, 184; D14/251, D14/253, 432, 434
CPC Y02E 60/12; Y02T 90/14; Y02T 90/122; Y02T 90/128; Y02T 90/163; H02J 7/025; H02J 7/0042; H02J 7/0044; H02J 7/0045; H02J 7/0003; H01F 38/14; H01R 13/6675; H01M 2/1022; H01M 2/1055; H01M 10/44; H01M 10/46; H01M 10/425; B60L 11/182

See application file for complete search history.

(56) **References Cited**

U.S. PATENT DOCUMENTS

D470,850 S * 2/2003 Nishio D14/435
D479,203 S * 9/2003 Korematsu D13/158
D516,074 S * 2/2006 Ho D14/433

D537,036 S * 2/2007 Chen D14/433
D560,165 S * 1/2008 Matityahu D13/133
D638,357 S * 5/2011 Sasada D13/110

(Continued)

Primary Examiner — Rosemary K Tarcza
Assistant Examiner — Nathaniel D Buckner

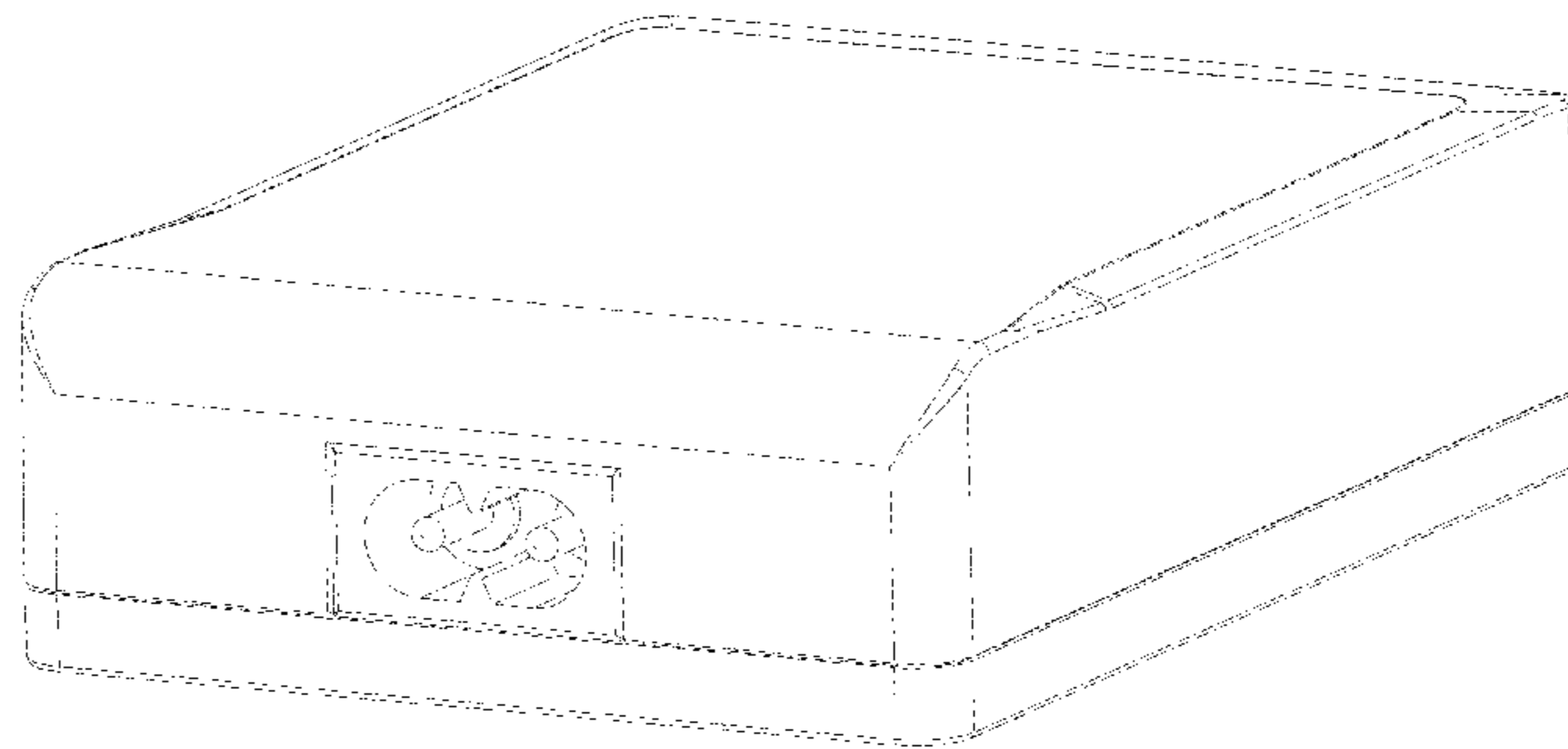
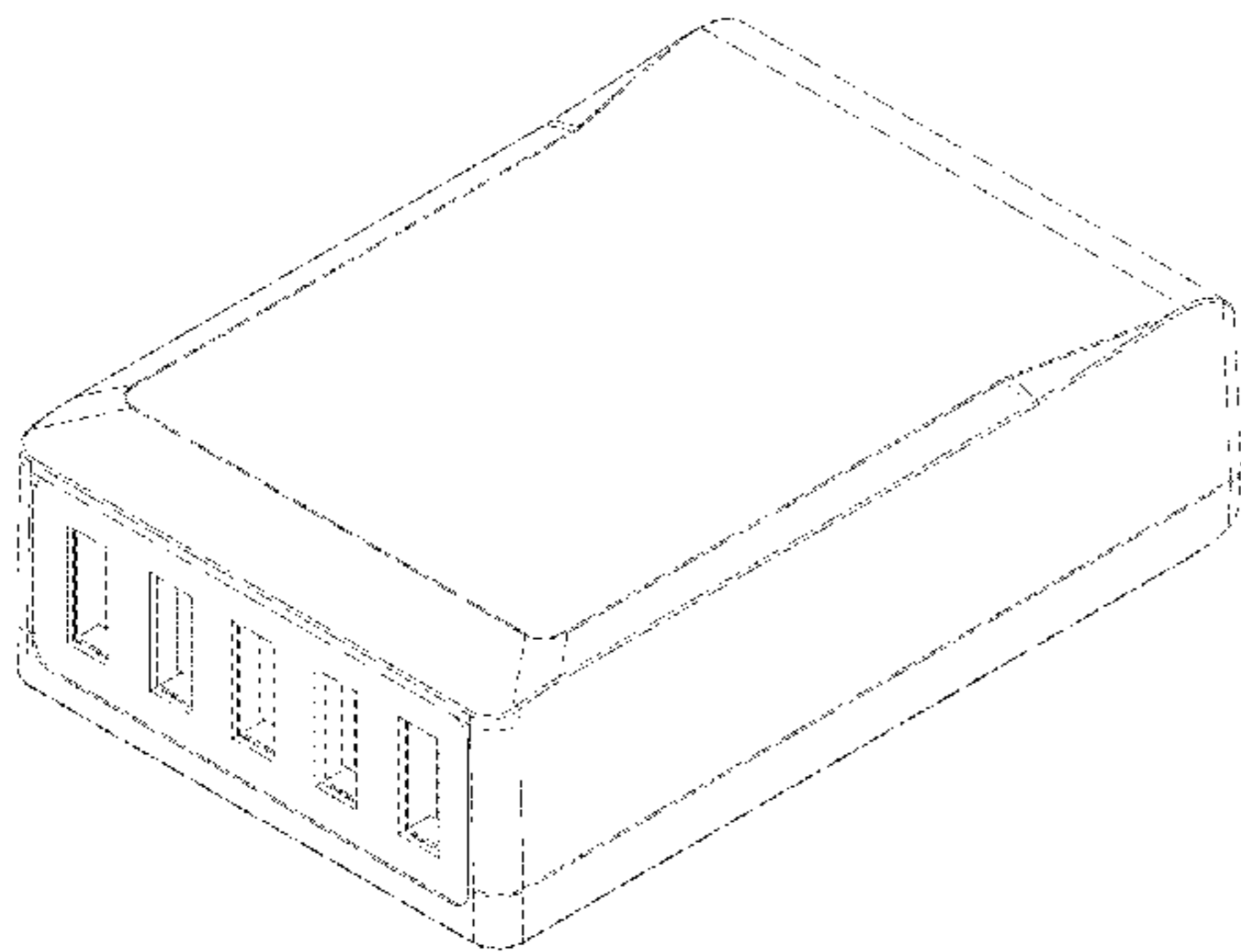
(57) **CLAIM**

The ornamental design for a multi-interface charger, as shown and described.

DESCRIPTION

FIG. 1 is a front elevational view of a first embodiment of a multi-interface charger showing our new design; FIG. 2 is a rear elevational view thereof; FIG. 3 is a left side view thereof; FIG. 4 is a right side view thereof; FIG. 5 is a top plan view thereof; FIG. 6 is a bottom plan view thereof; FIG. 7 is a first perspective view thereof; FIG. 8 is a second perspective view thereof; FIG. 9 is a third perspective view of thereof; FIG. 10 is a fourth perspective view thereof; FIG. 11 is a front elevational view of a second embodiment of the multi-interface charger; FIG. 12 is a rear elevational view of FIG. 11; FIG. 13 is a left side view of FIG. 11; FIG. 14 is a right side view of FIG. 11; FIG. 15 is a top plan view of FIG. 11; FIG. 16 is a bottom plan view of FIG. 11; FIG. 17 is a first perspective view of FIG. 11; FIG. 18 is a second perspective view of FIG. 11; FIG. 19 is a third perspective view of FIG. 11; and, FIG. 20 is a fourth perspective view of FIG. 11.

1 Claim, 15 Drawing Sheets



(56)

References Cited

U.S. PATENT DOCUMENTS

D643,807	S	*	8/2011	Jiang	D13/103
D647,908	S	*	11/2011	Chen	D14/434
D660,229	S	*	5/2012	Tseng	D13/110
D678,187	S	*	3/2013	Huang	D13/103
D708,570	S	*	7/2014	Martin	D13/102
D711,820	S	*	8/2014	Zeng	D13/103
D711,884	S	*	8/2014	Turksu	D14/433
D712,351	S	*	9/2014	Zeng	D13/103
D721,646	S	*	1/2015	Kim	D13/103
D722,018	S	*	2/2015	Wang	D13/103
D731,420	S	*	6/2015	Croft	D13/108
D733,043	S	*	6/2015	Hasbrook	D13/103
D740,291	S	*	10/2015	Turksu	D14/433
D743,962	S	*	11/2015	Ikeda	D14/348
2013/0314029	A1	*	11/2013	Haddad	H02J 7/0054 320/107

* cited by examiner

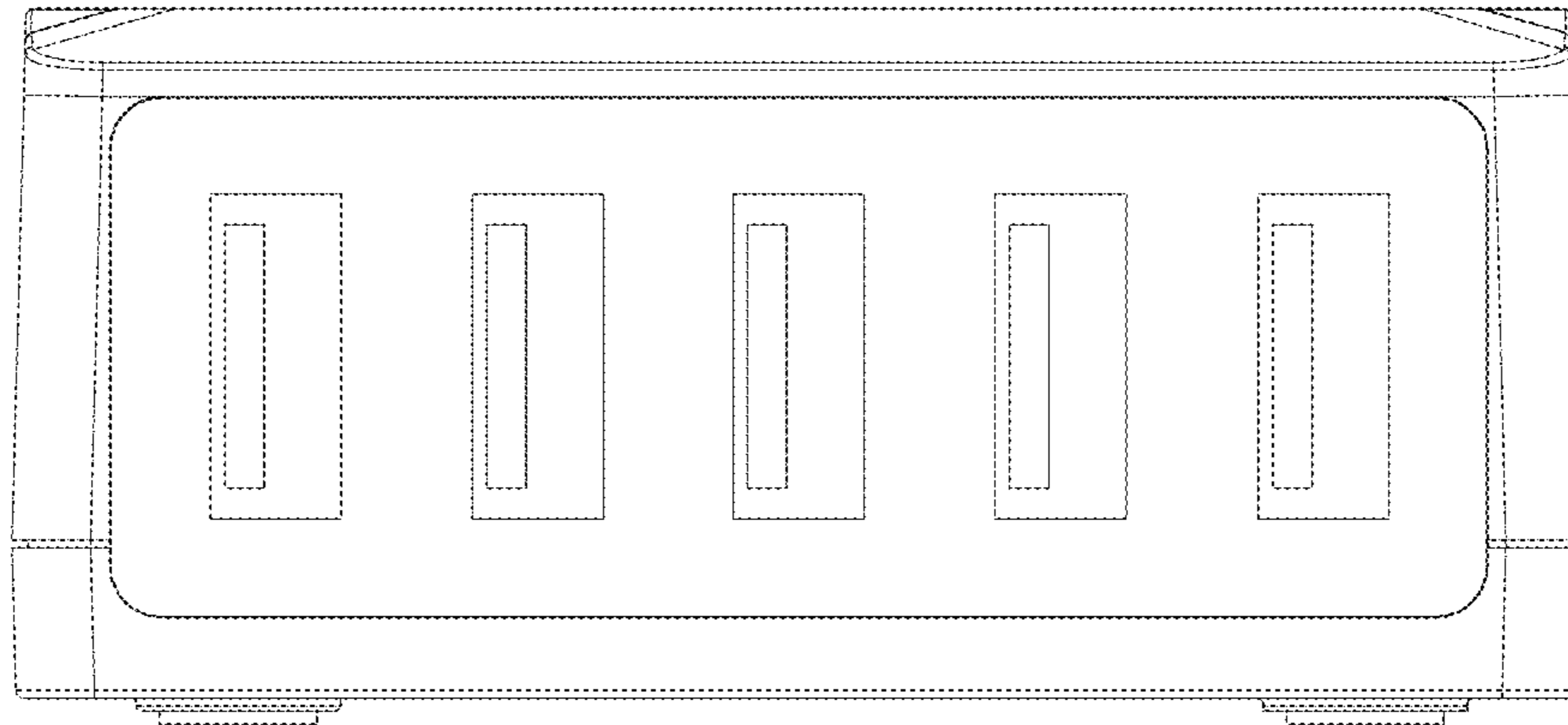


Fig. 1

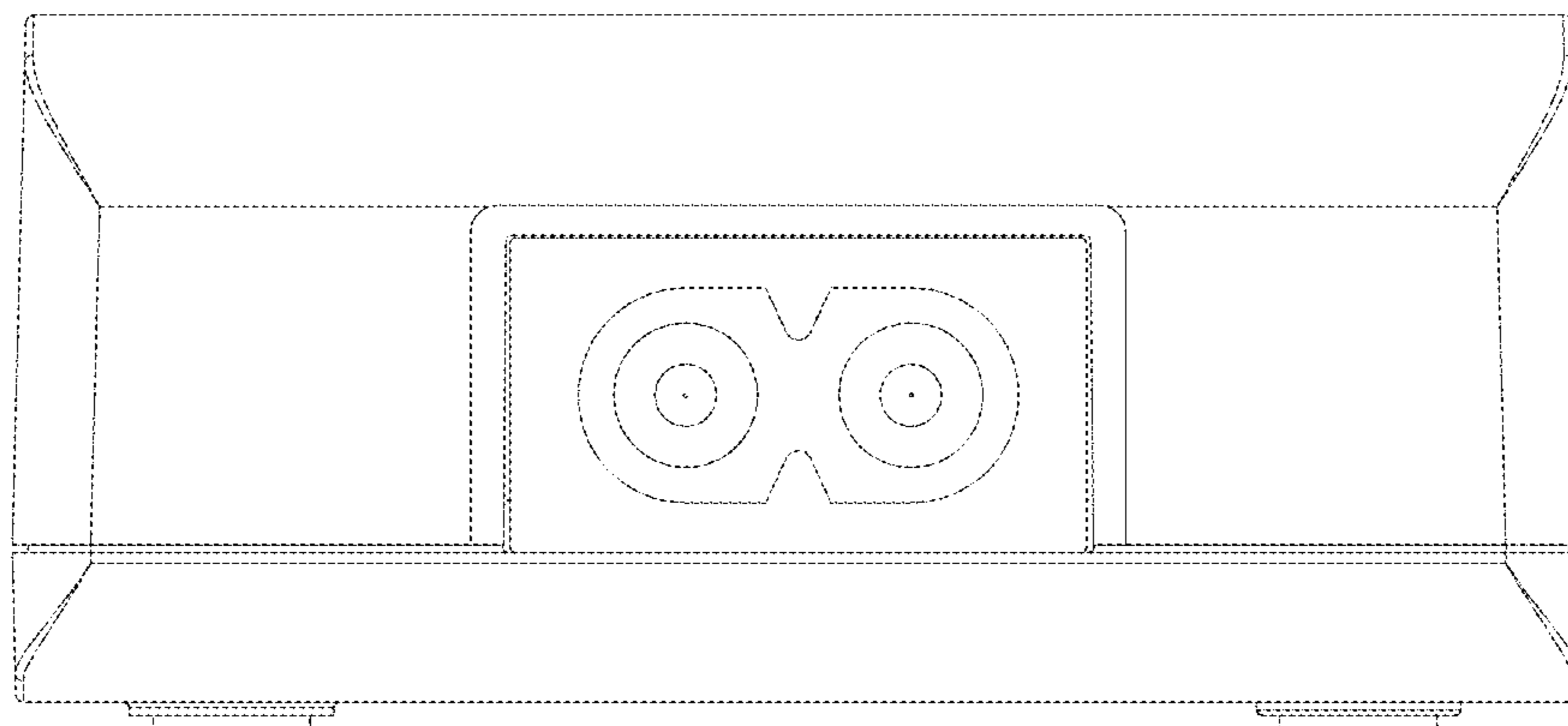


Fig. 2

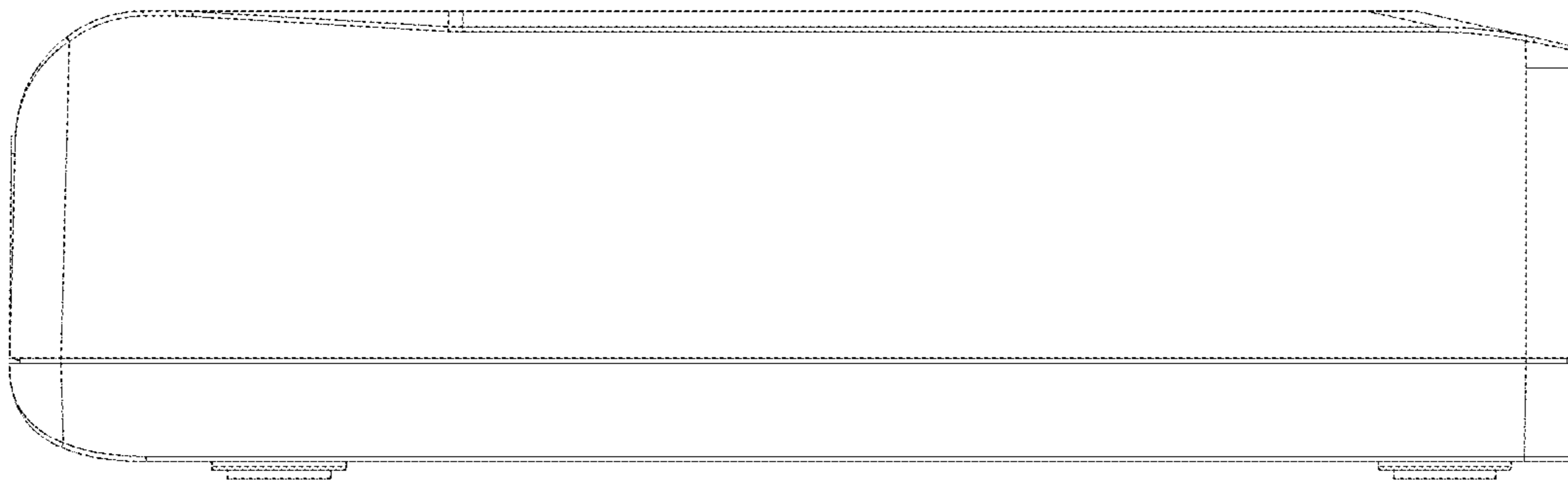


Fig. 3

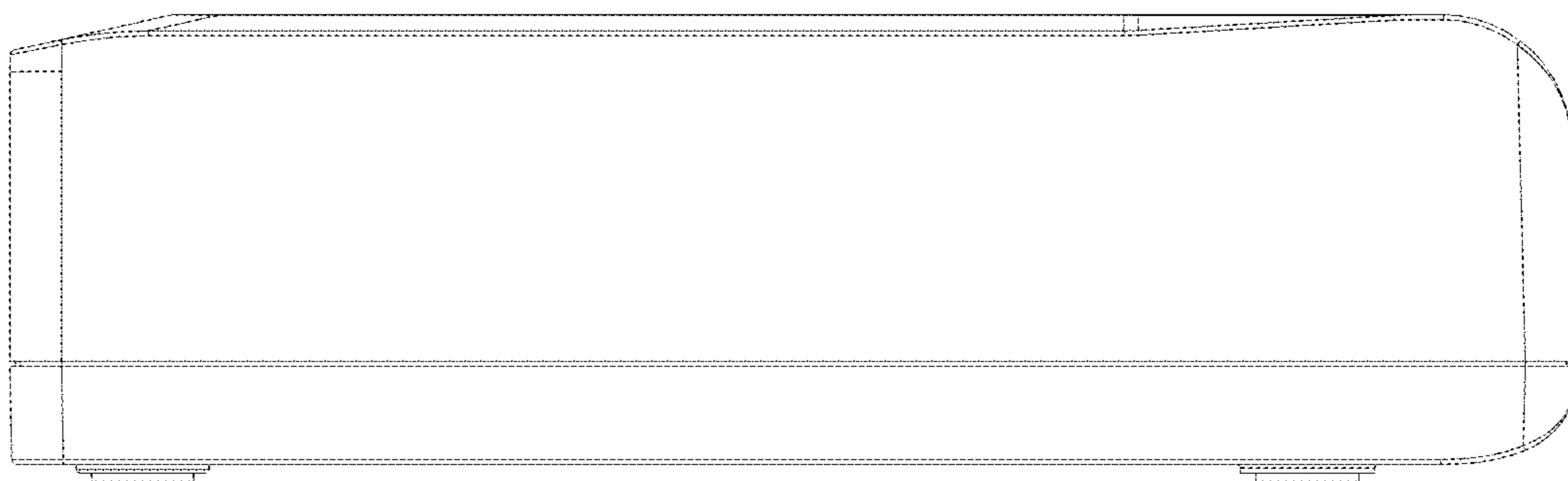


Fig. 4

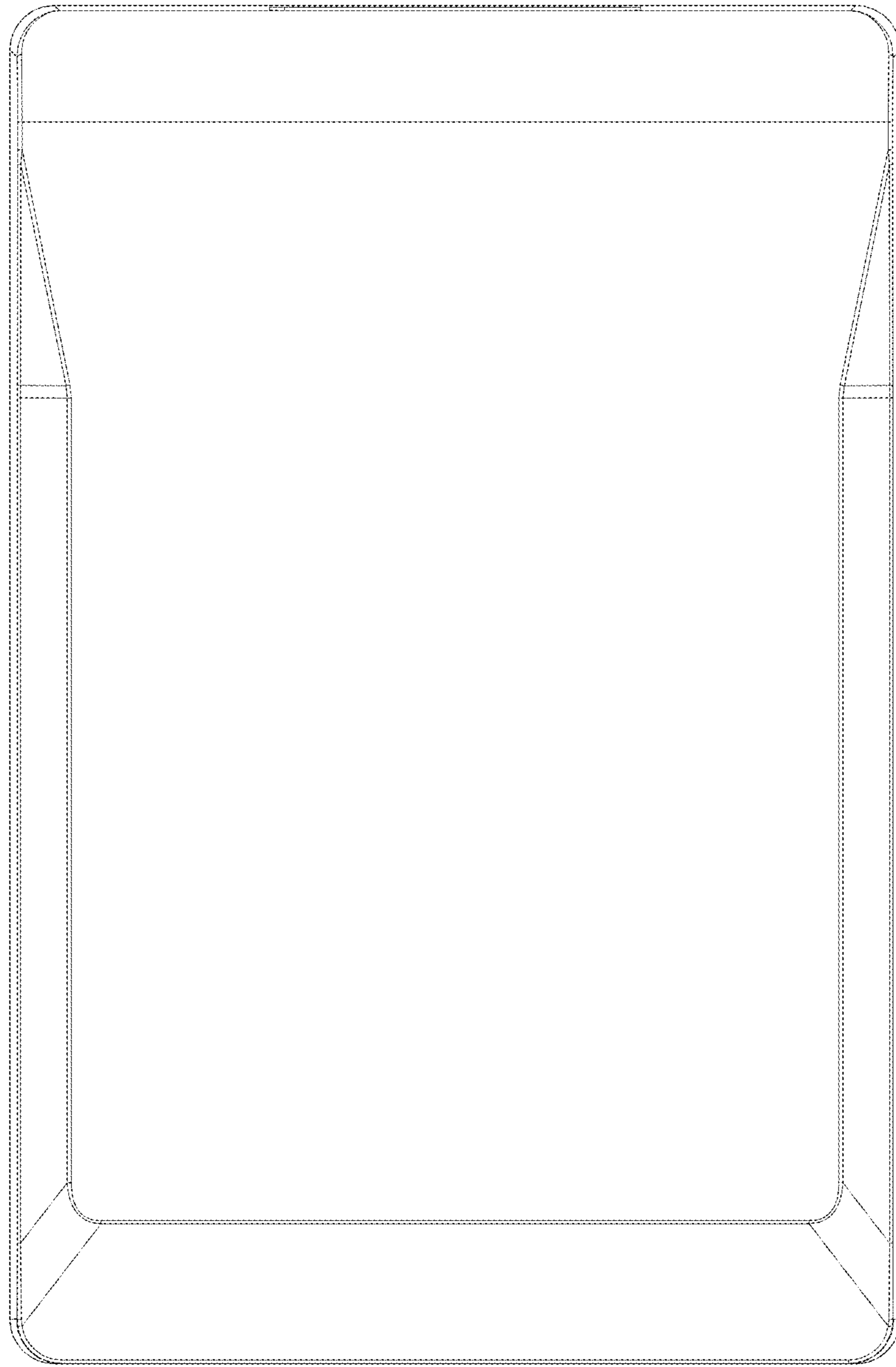


Fig. 5

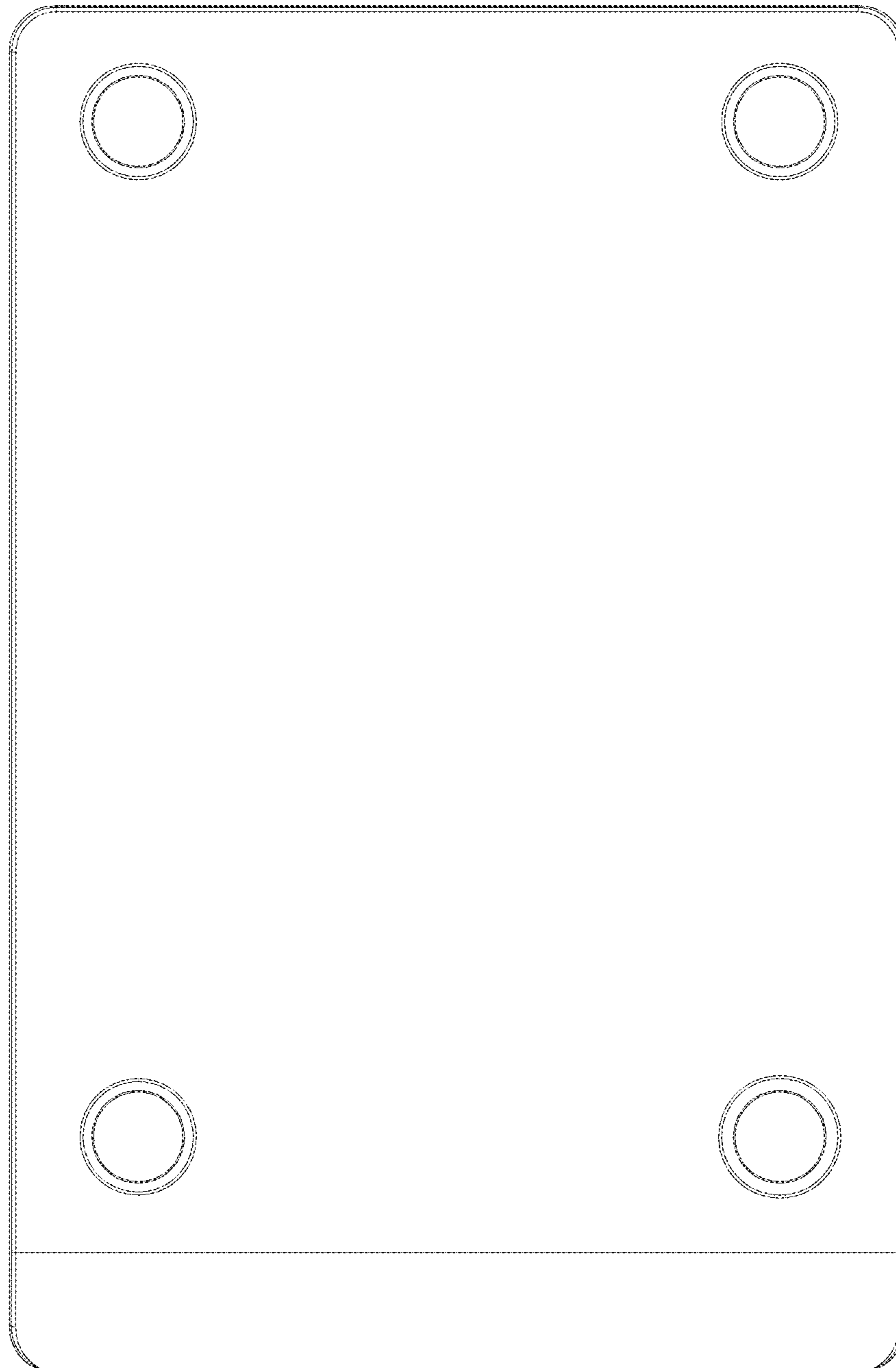


Fig. 6

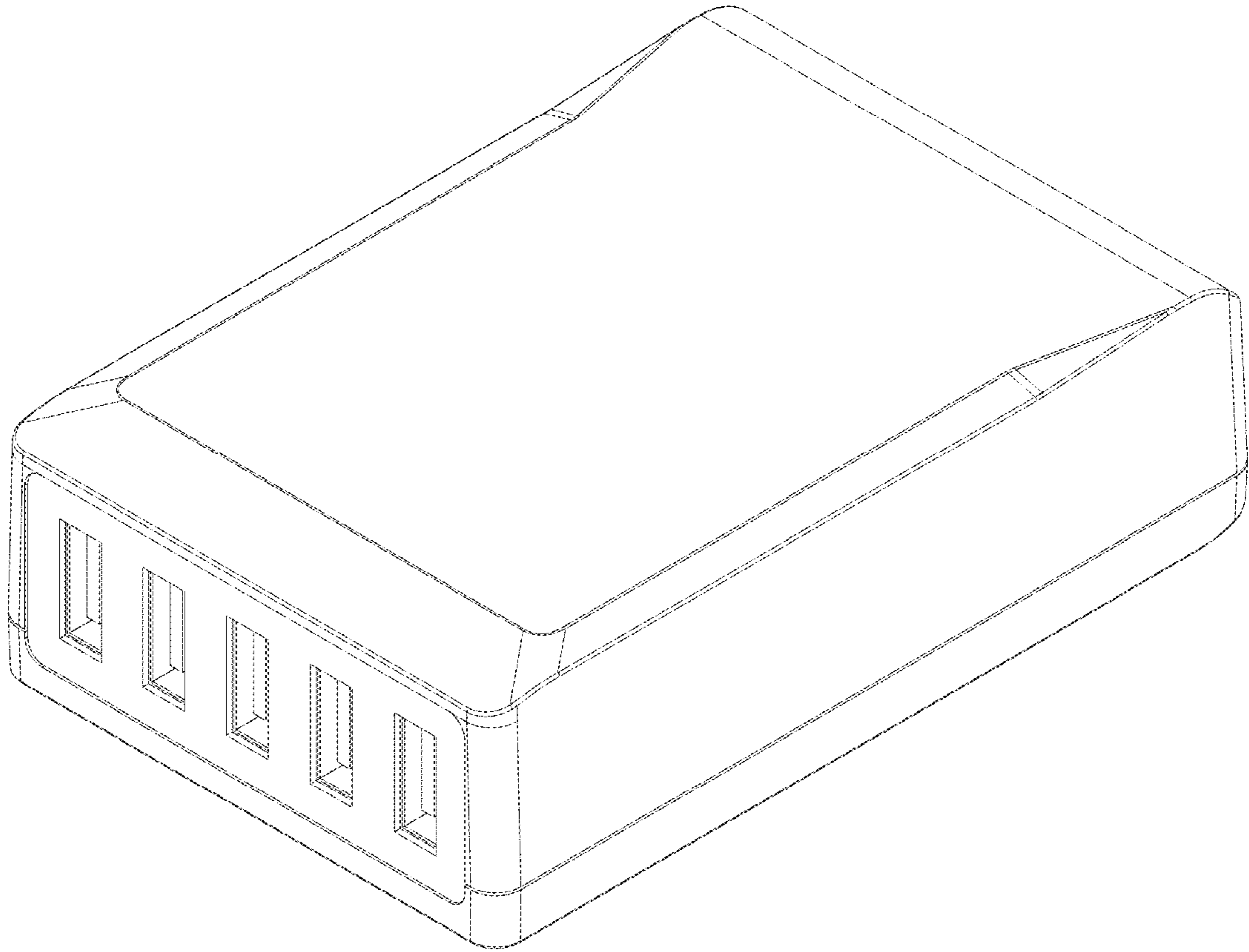


Fig. 7

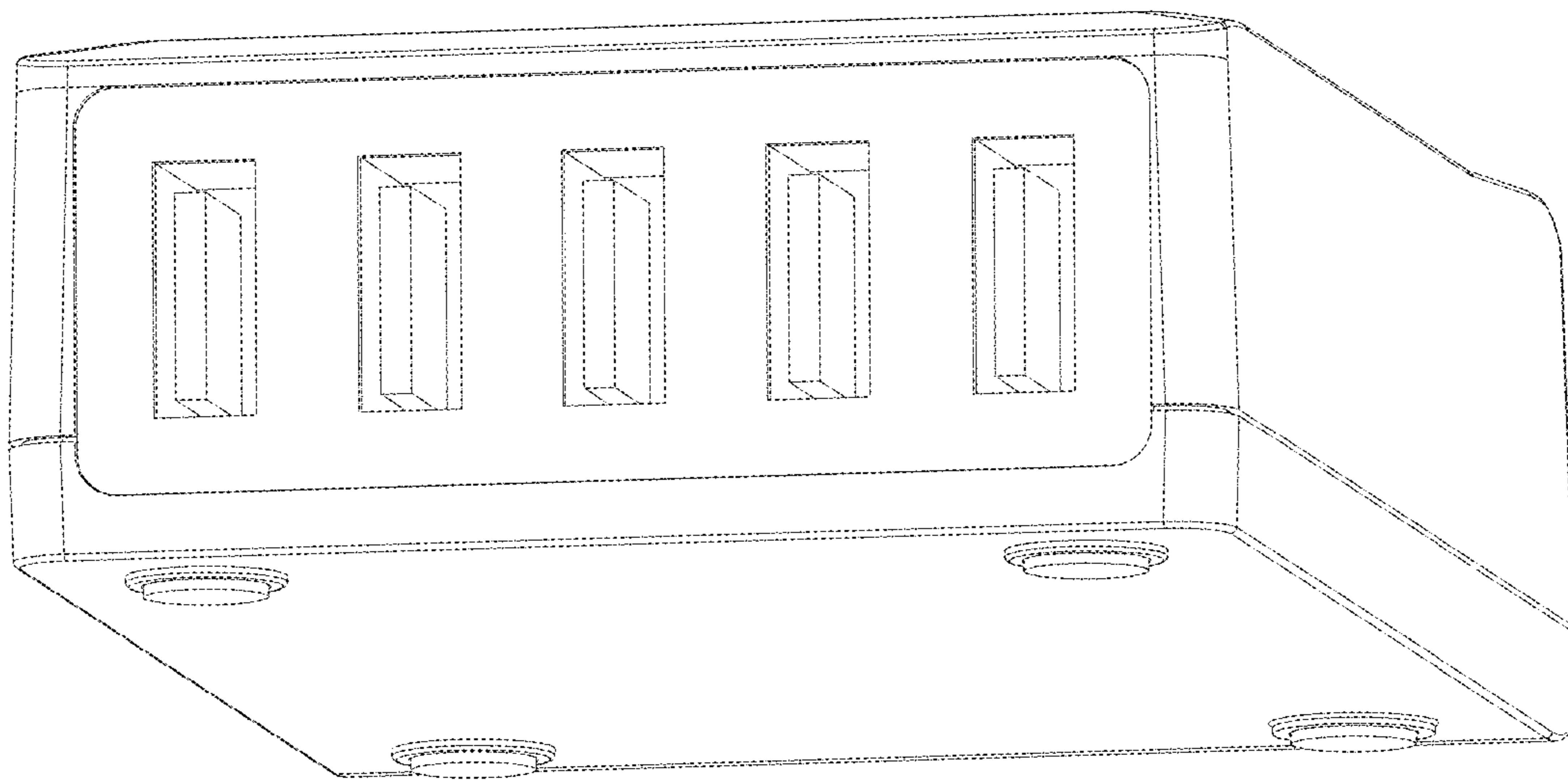


Fig. 8

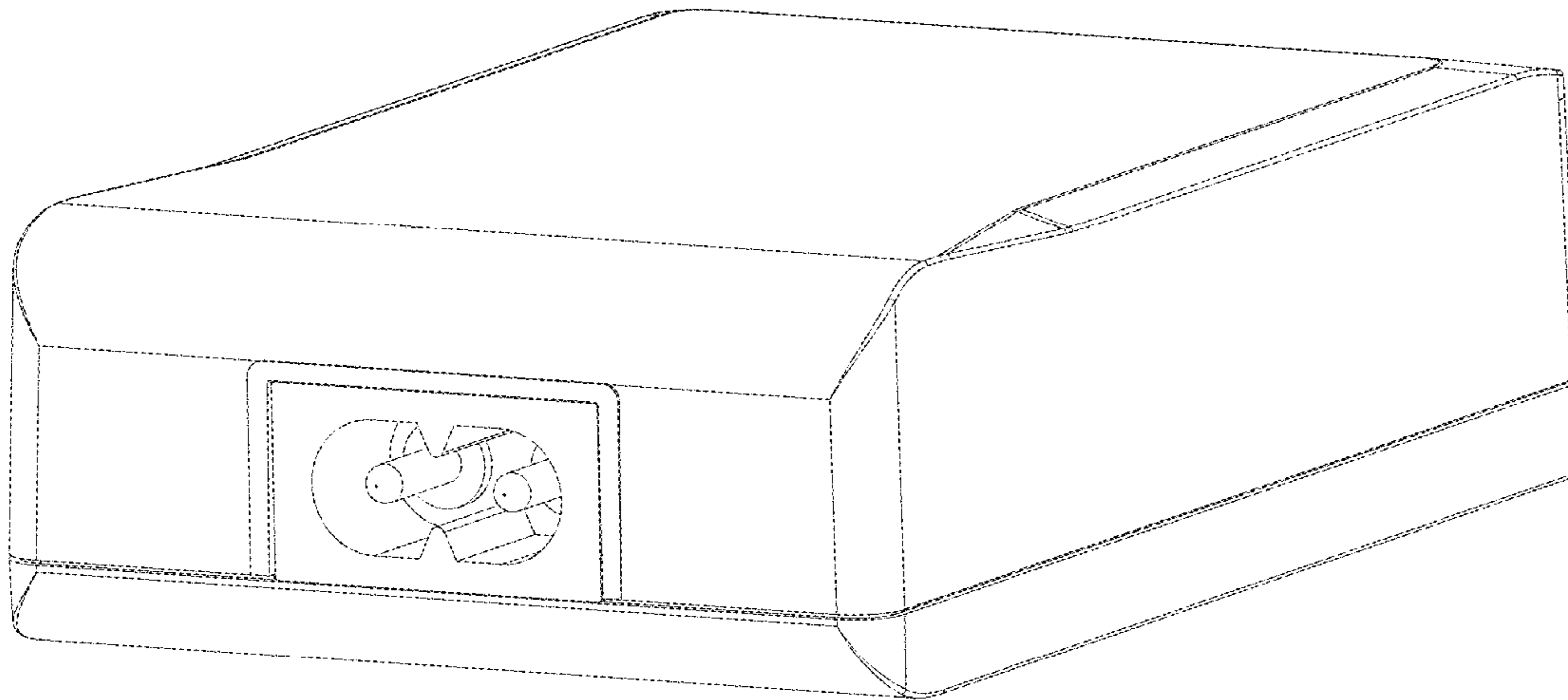


Fig. 9

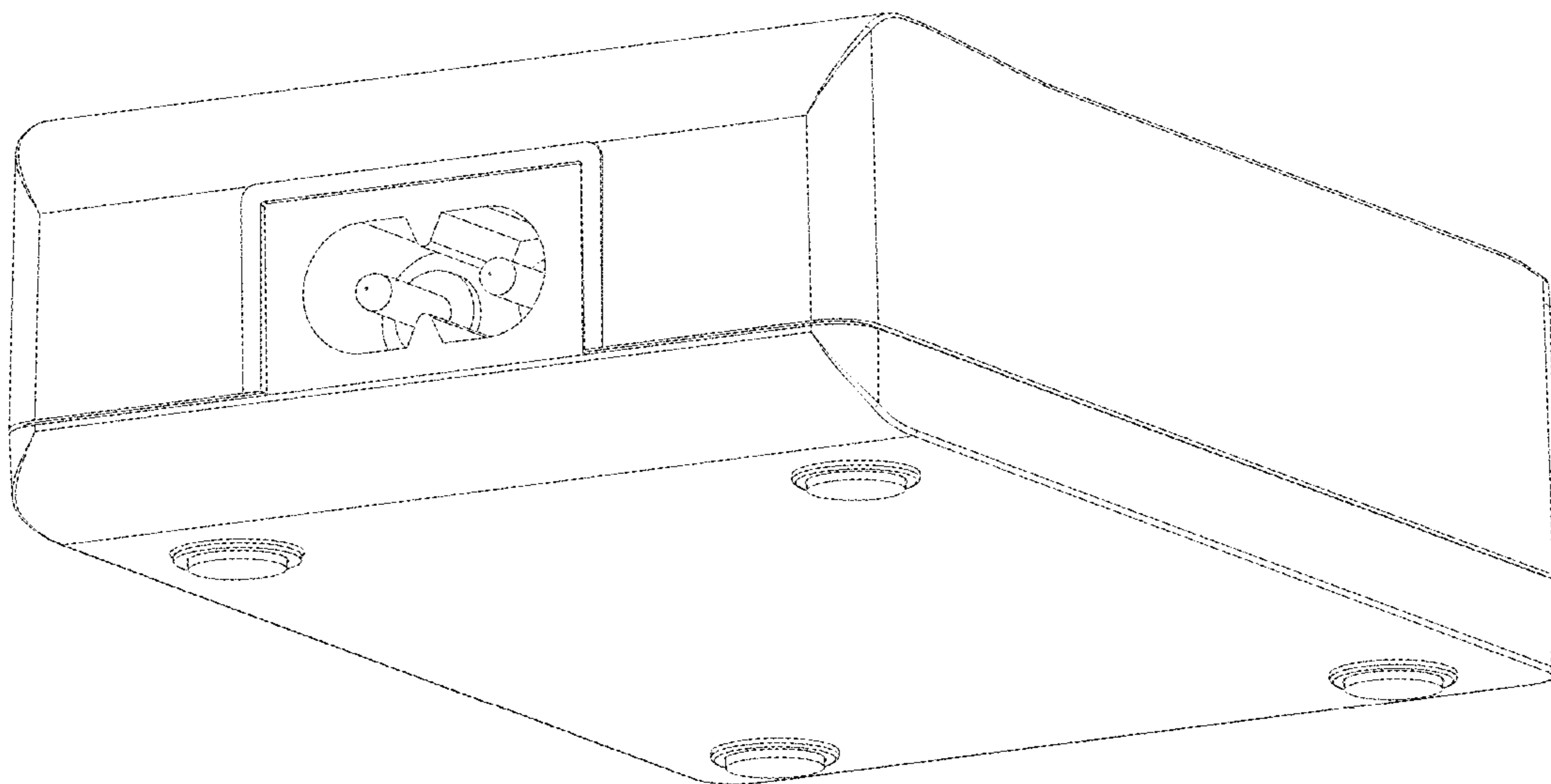


Fig. 10

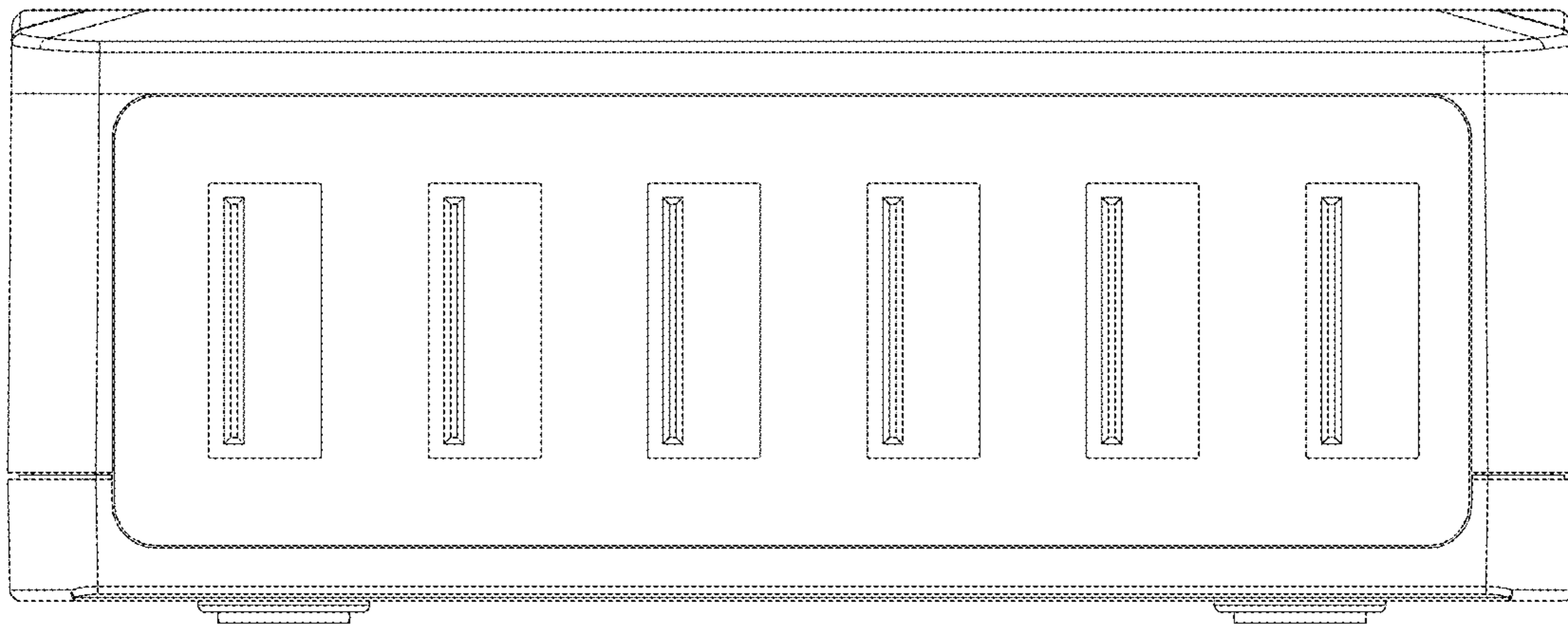


Fig. 11

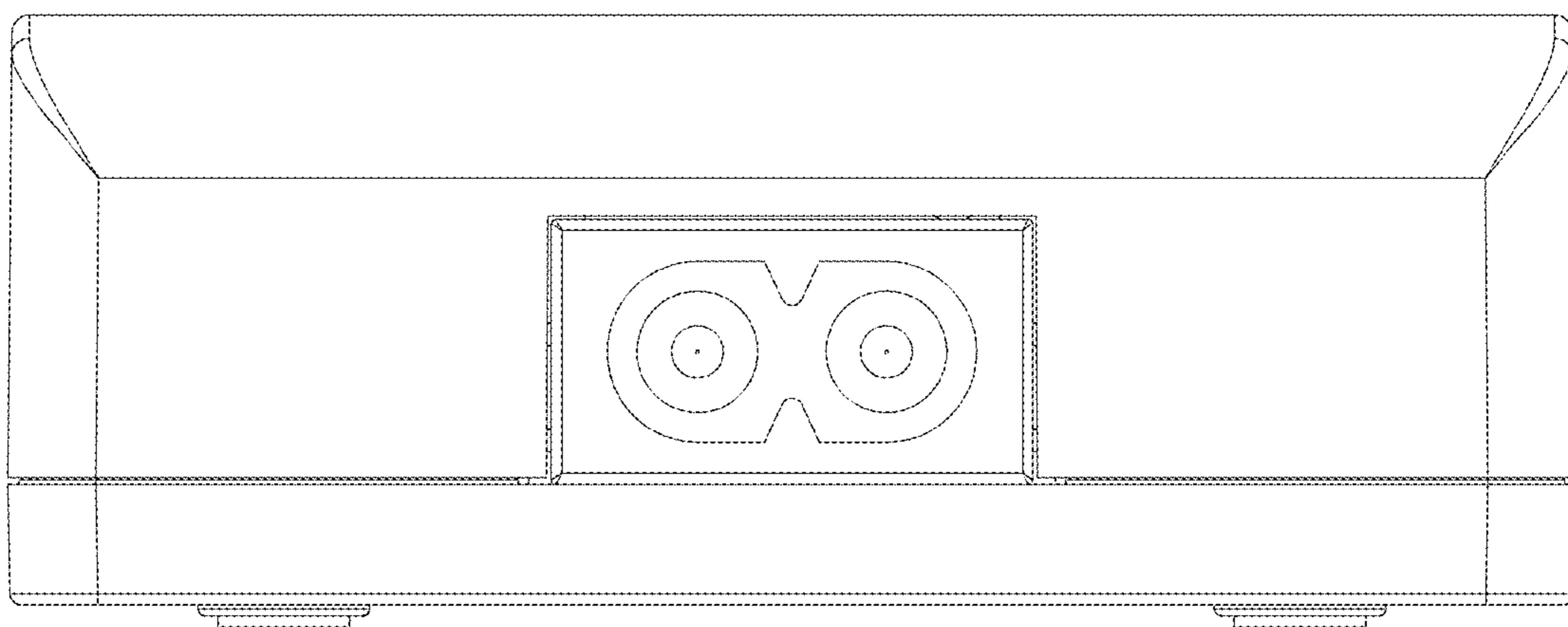


Fig. 12

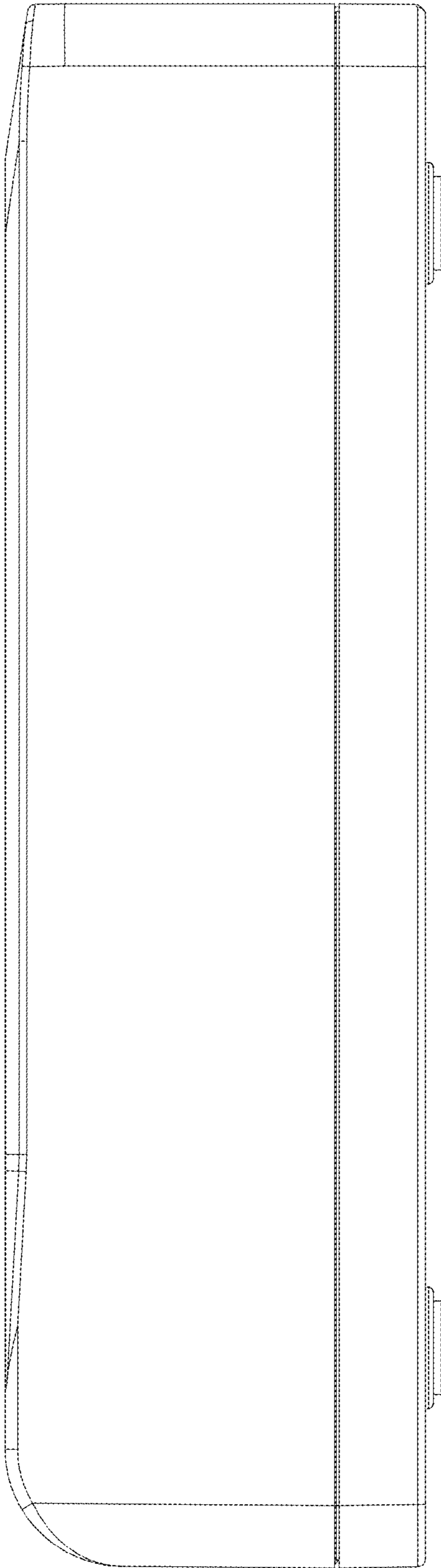


Fig. 13

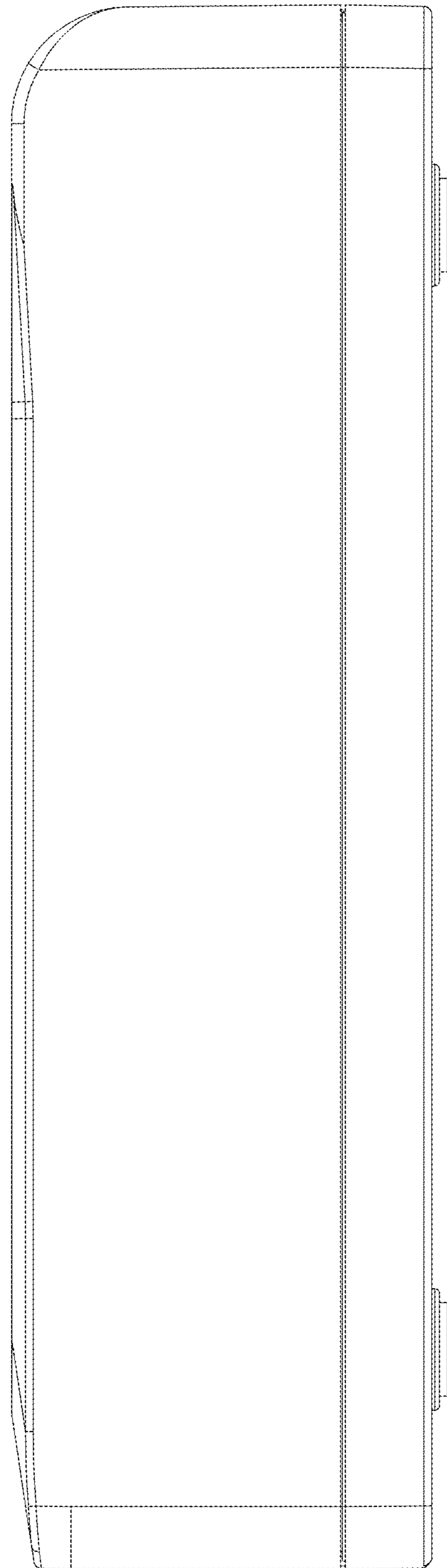


Fig. 14

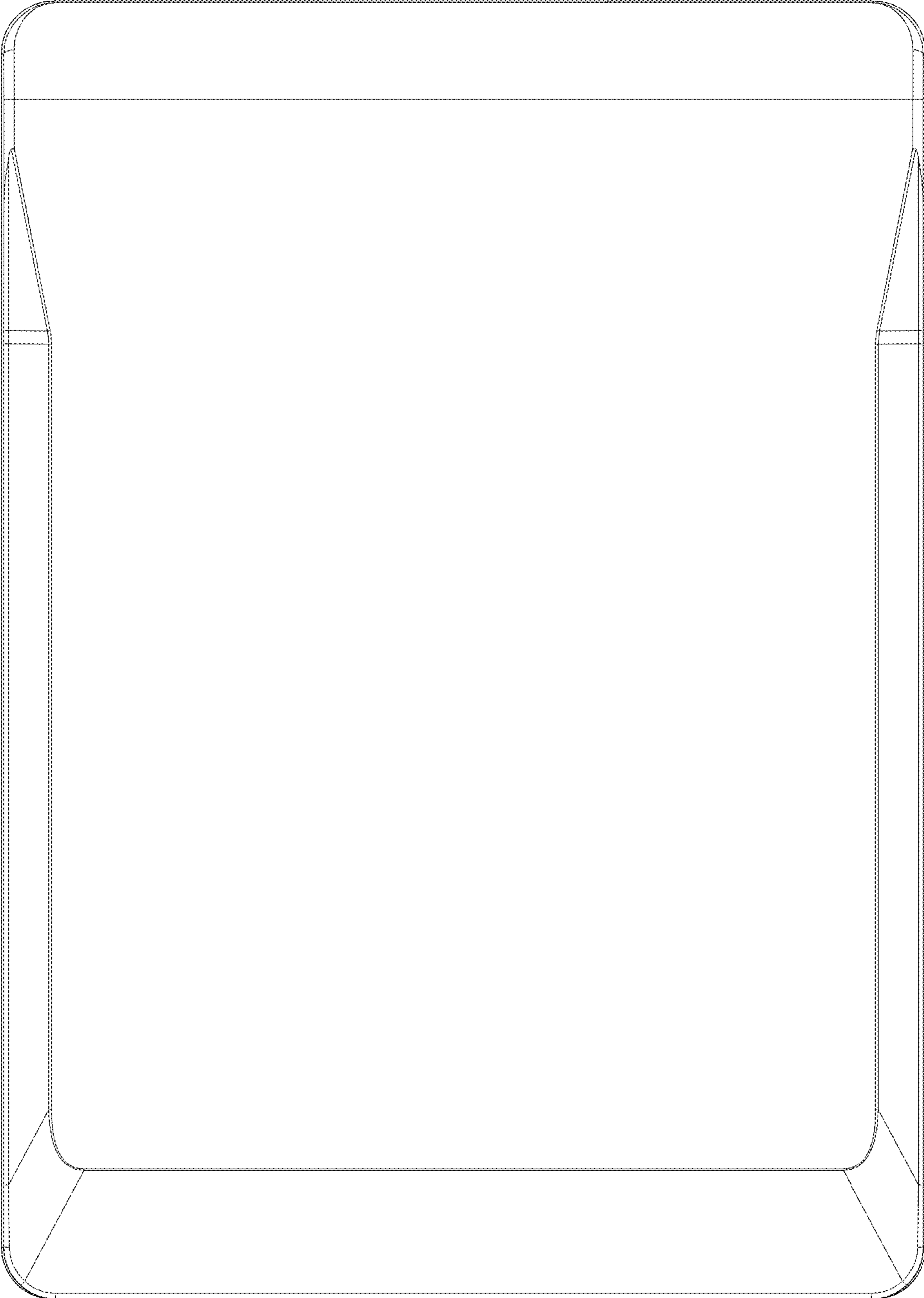


Fig. 15

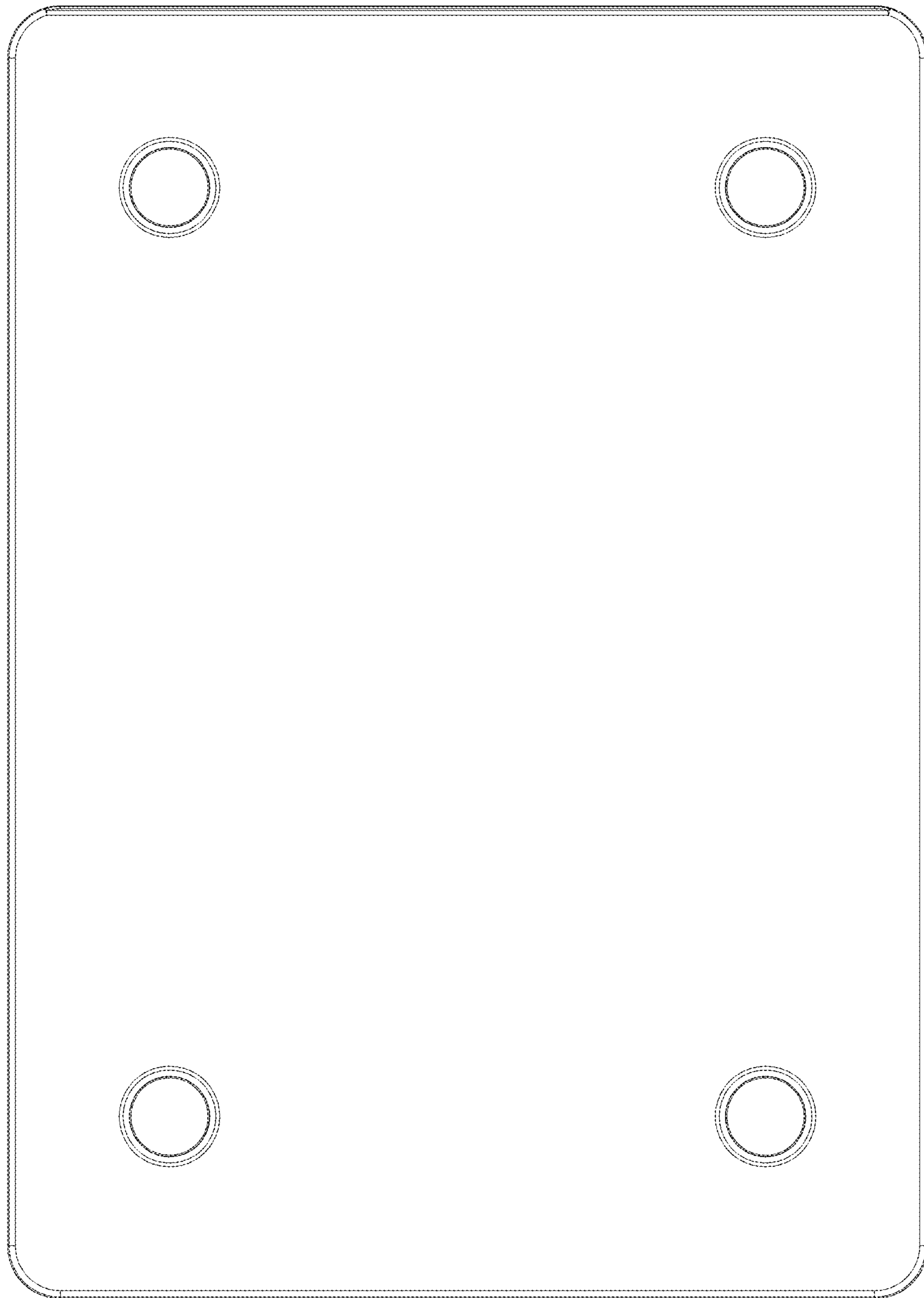


Fig. 16

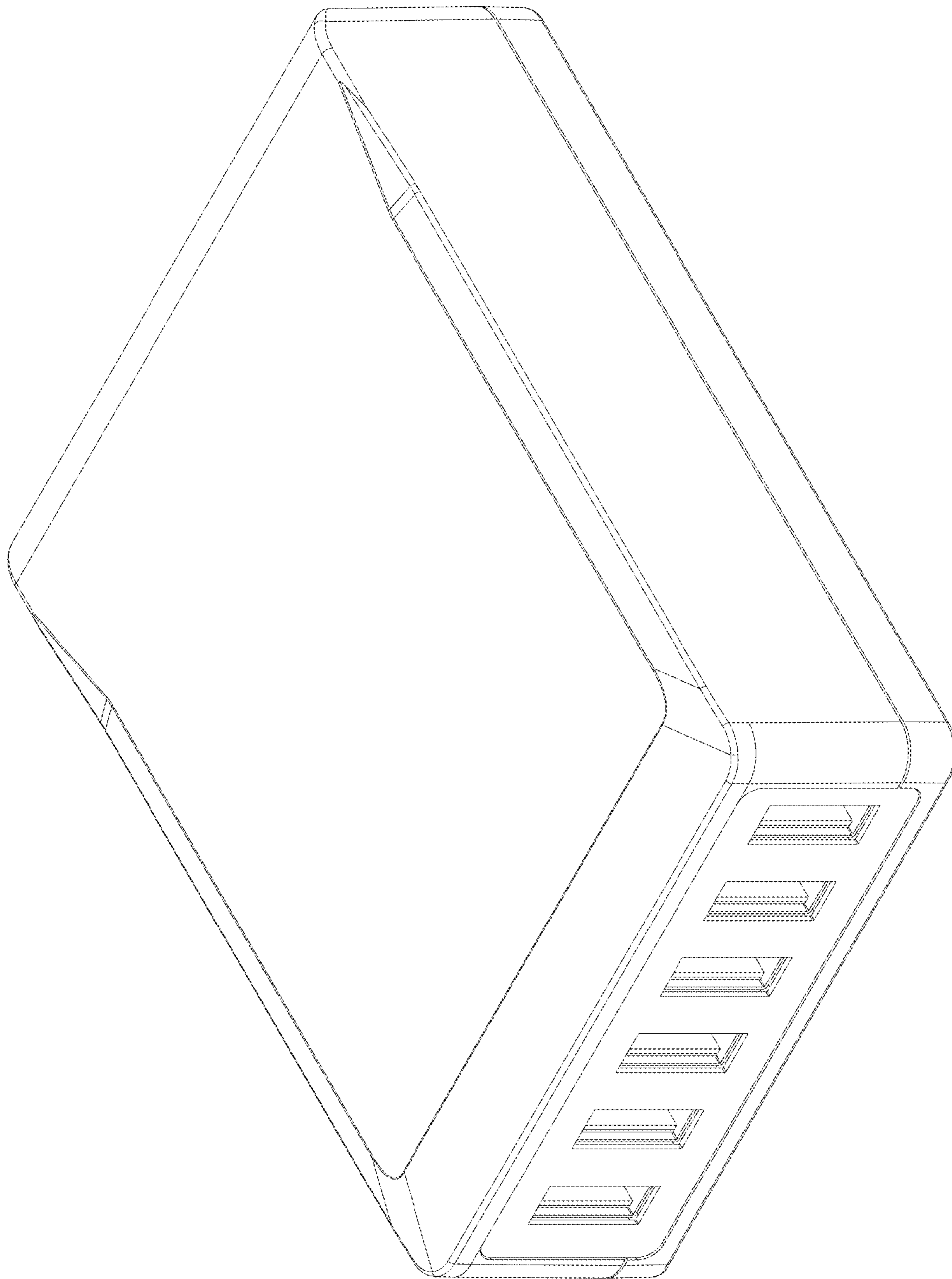


Fig. 17

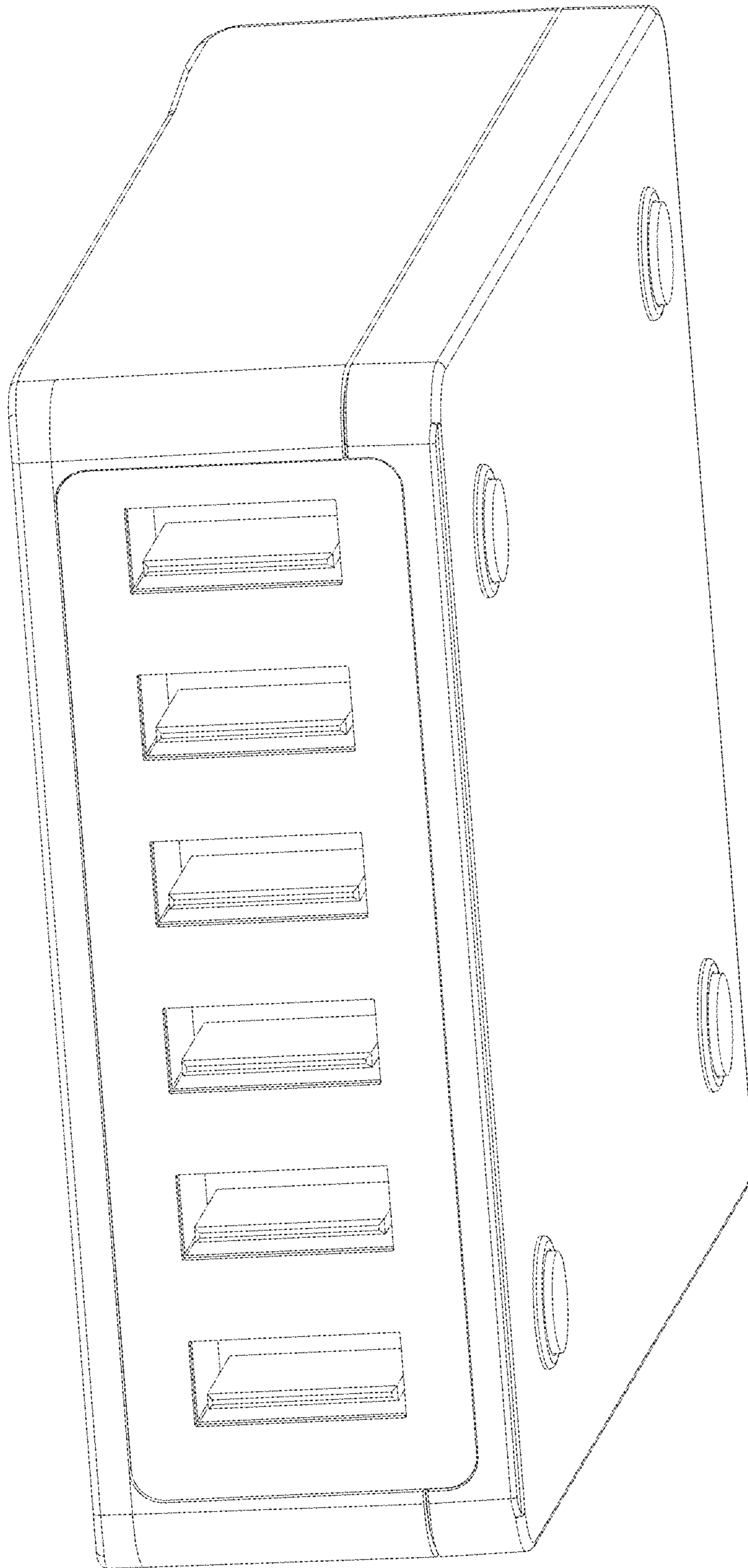


Fig. 18

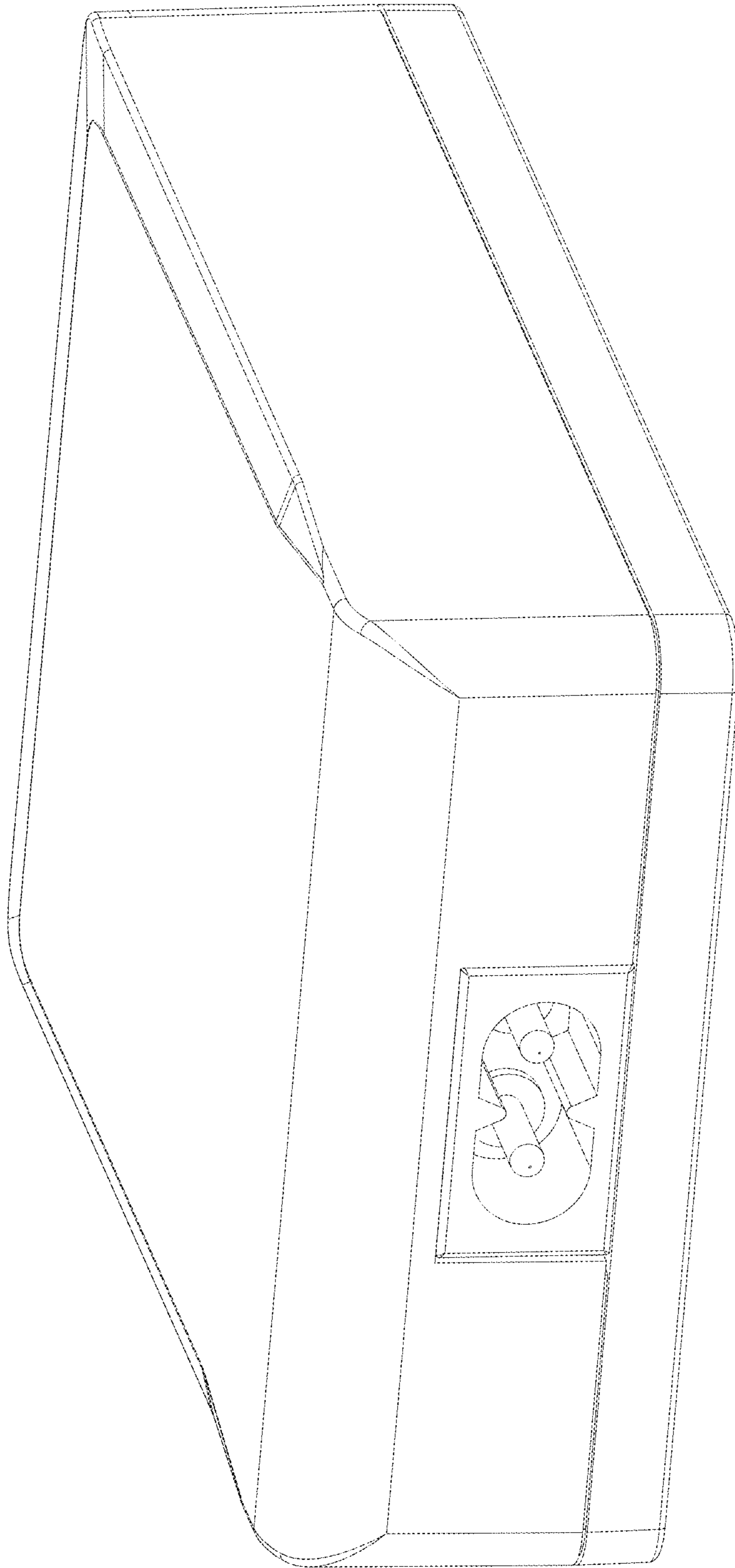


Fig. 19

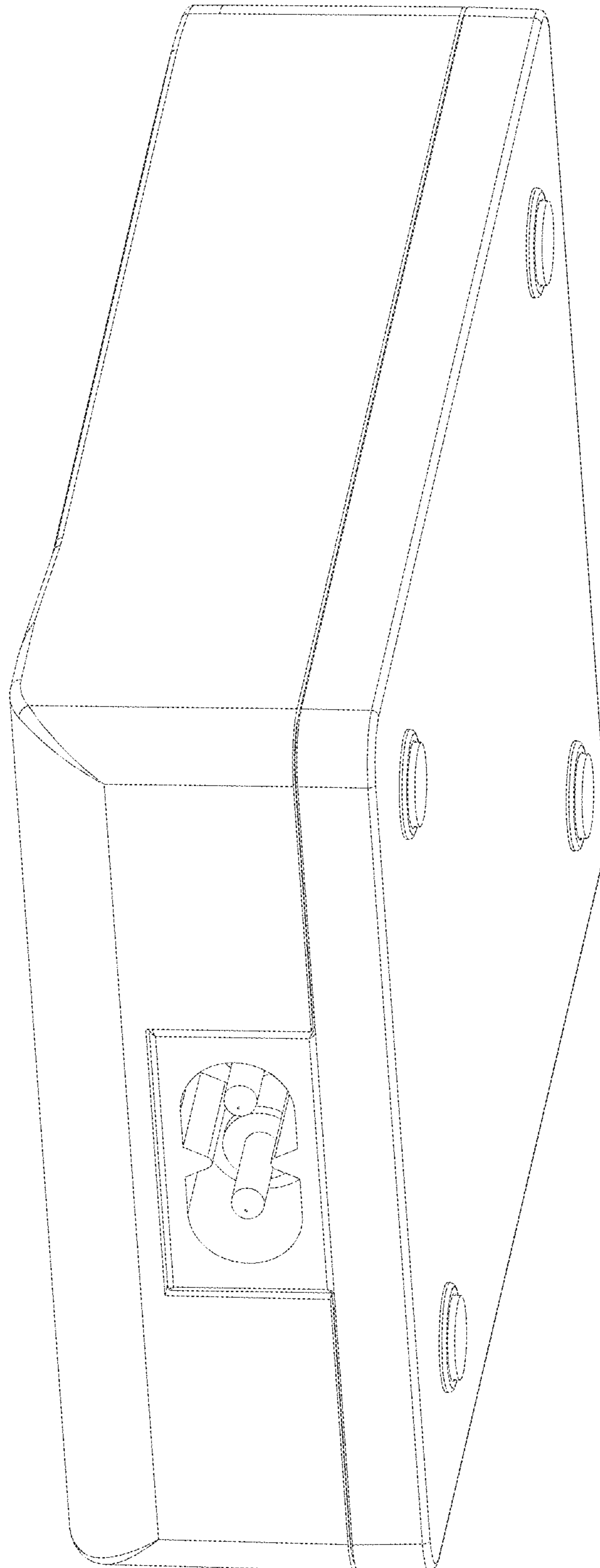


Fig. 20