



US00D773990S

(12) **United States Design Patent**
Murphy et al.

(10) **Patent No.:** **US D773,990 S**

(45) **Date of Patent:** **** Dec. 13, 2016**

(54) **CHARGER CABINET**

(71) Applicant: **Griffin Technology, Inc.**, Nashville, TN (US)

(72) Inventors: **Jennifer Ann Murphy**, Nashville, TN (US); **Brian Joseph**, Nashville, TN (US)

(73) Assignee: **Griffin Technologies, Inc.**, Nashville, TN (US)

(**) Term: **14 Years**

(21) Appl. No.: **29/523,871**

(22) Filed: **Apr. 14, 2015**

(51) **LOC (10) Cl.** **13-02**

(52) **U.S. Cl.**
USPC **D13/107**

(58) **Field of Classification Search**
USPC D13/107-110, 118-119, 184; D14/251, D14/253, 432, 434
CPC Y02E 60/12; Y02T 90/14; Y02T 90/122; Y02T 90/128; Y02T 90/163; H02J 7/025; H02J 7/0042; H02J 7/0044; H02J 7/0045; H02J 7/0003; H01F 38/14; H01R 13/6675; H01M 2/1022; H01M 2/1055; H01M 10/44; H01M 10/46; H01M 10/425; B60L 11/182

See application file for complete search history.

(56) **References Cited**

U.S. PATENT DOCUMENTS

- 1,593,154 A * 7/1926 Badger A47J 47/005 312/199
- 1,675,626 A * 7/1928 Tuttle H01M 10/46 217/42
- 1,833,486 A * 11/1931 Hazelquist A47J 47/005 269/309

- 1,941,998 A * 1/1934 Padelford A47J 47/12 220/908
- 2,565,129 A * 8/1951 Hermani A45D 40/221 312/328
- D323,082 S * 1/1992 Rones D6/657
- D408,538 S * 4/1999 Simpkins D24/184
- 8,752,848 B2 * 6/2014 Petrick H01R 13/465 280/47.35
- D719,991 S * 12/2014 Ko D15/199
- 2007/0251116 A1 * 11/2007 Huang H01L 21/67017 34/202
- 2008/0164758 A1 * 7/2008 McCoy F24C 15/00 307/43
- 2009/0016008 A1 * 1/2009 Hock G06F 1/263 361/679.4
- 2016/0020625 A1 * 1/2016 Tsou H02J 7/0027 320/115

* cited by examiner

Primary Examiner — Rosemary K Tarca

Assistant Examiner — Nathaniel D Buckner

(74) *Attorney, Agent, or Firm* — Hornkohl Intellectual Property Law, PLLC; Jason L. Hornkohl

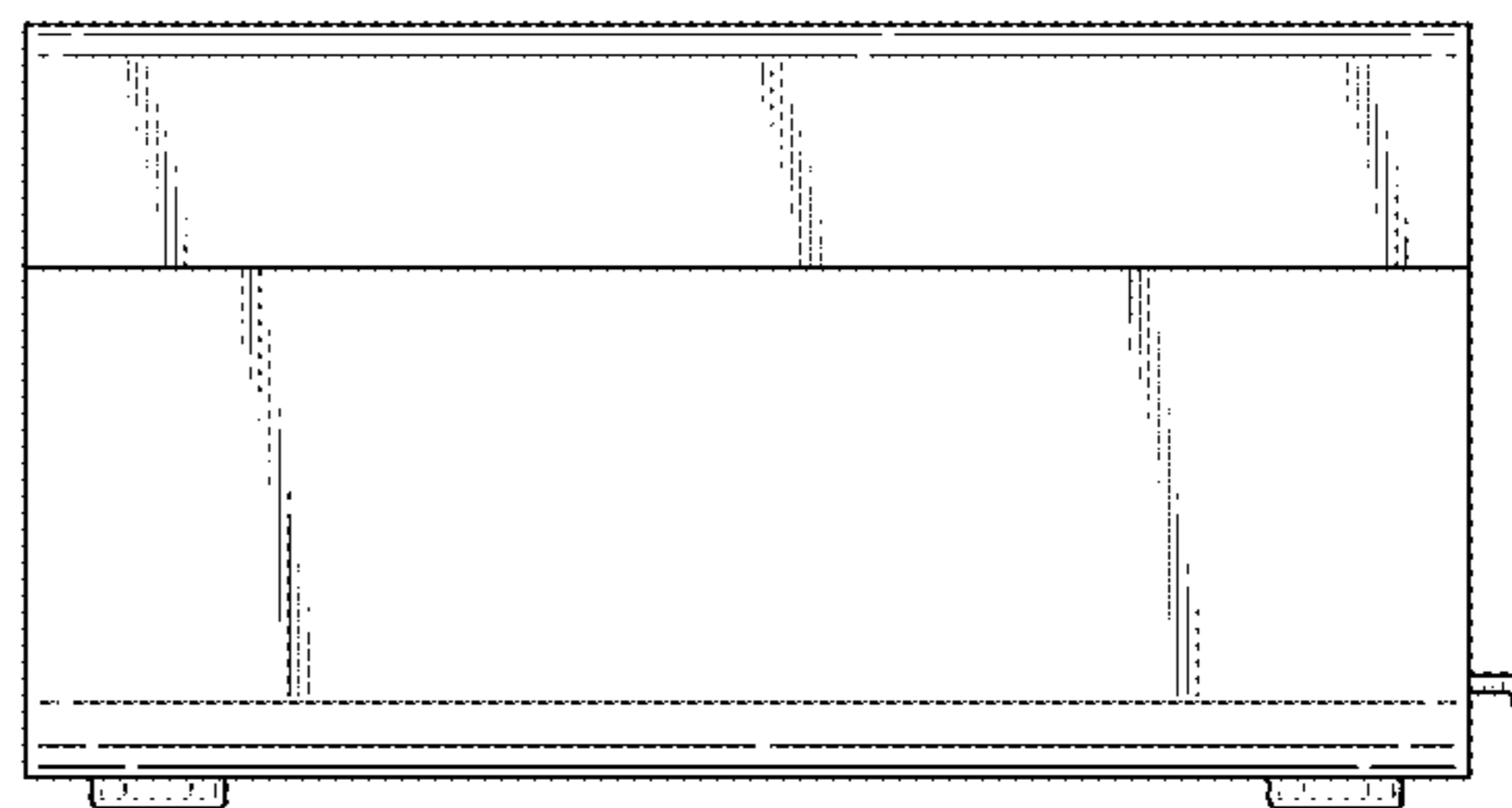
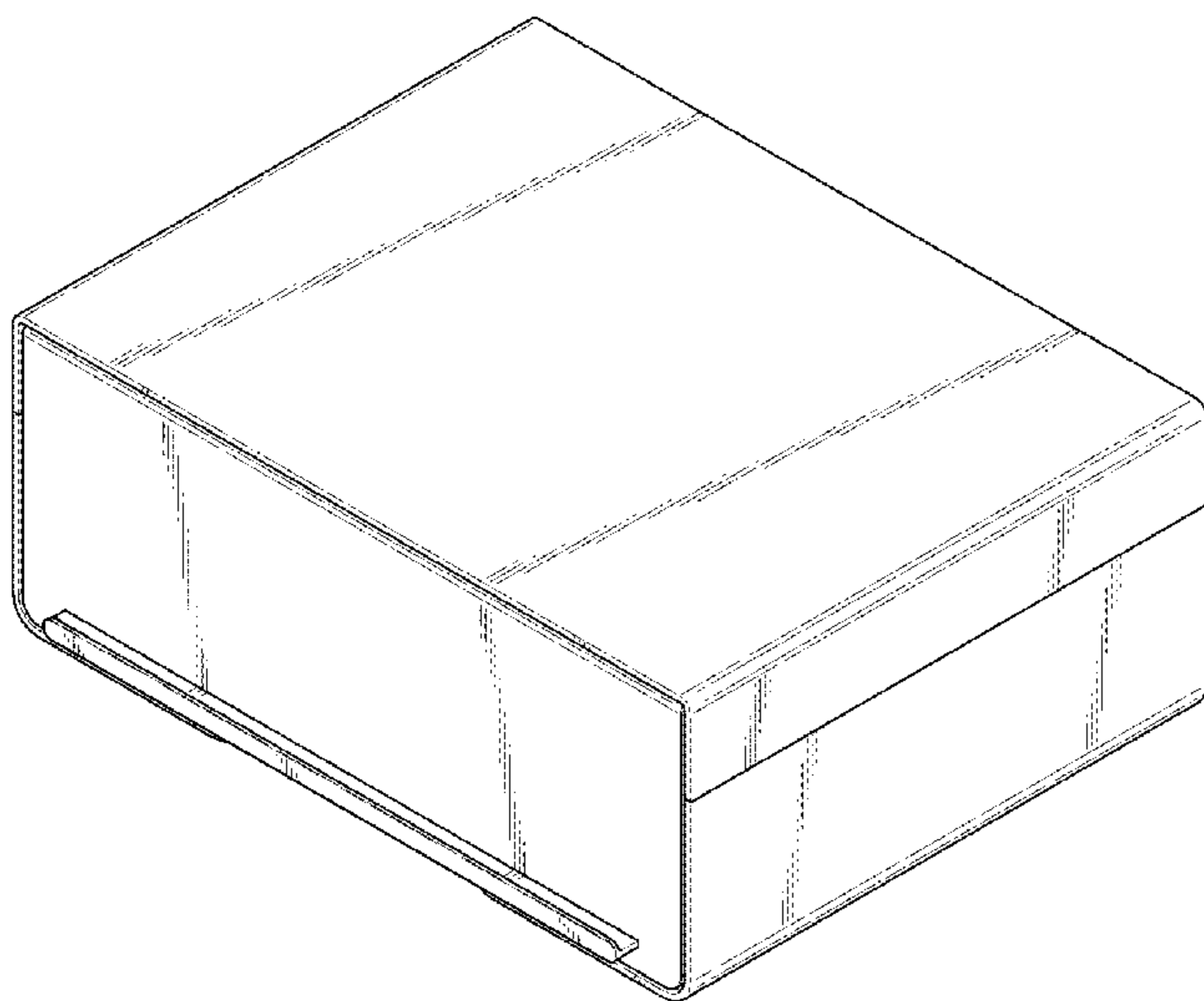
(57) **CLAIM**

The ornamental design for a charger cabinet, as shown and described.

DESCRIPTION

FIG. 1 is top right perspective view of a charger cabinet showing our new design;
 FIG. 2 is a bottom right perspective view thereof;
 FIG. 3 is a front elevation view thereof;
 FIG. 4 is a back elevation view thereof;
 FIG. 5 is left elevation view thereof, the right side being a mirror image thereto;
 FIG. 6 is a top plan view thereof; and,
 FIG. 7 is bottom plan view thereof.
 The broken lines in the figures represent portions of the article which form no part of the claim.

1 Claim, 5 Drawing Sheets



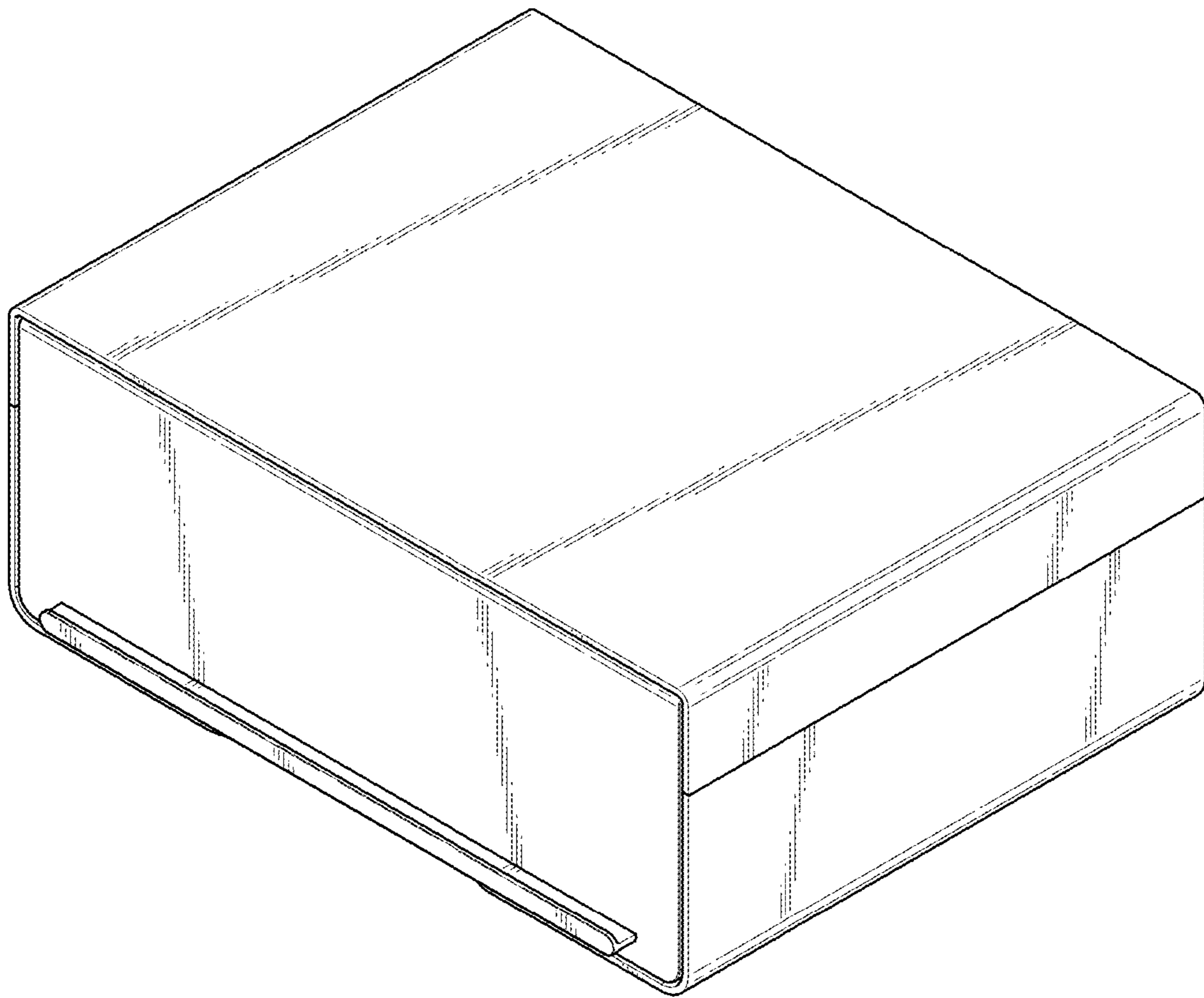


FIG. 1

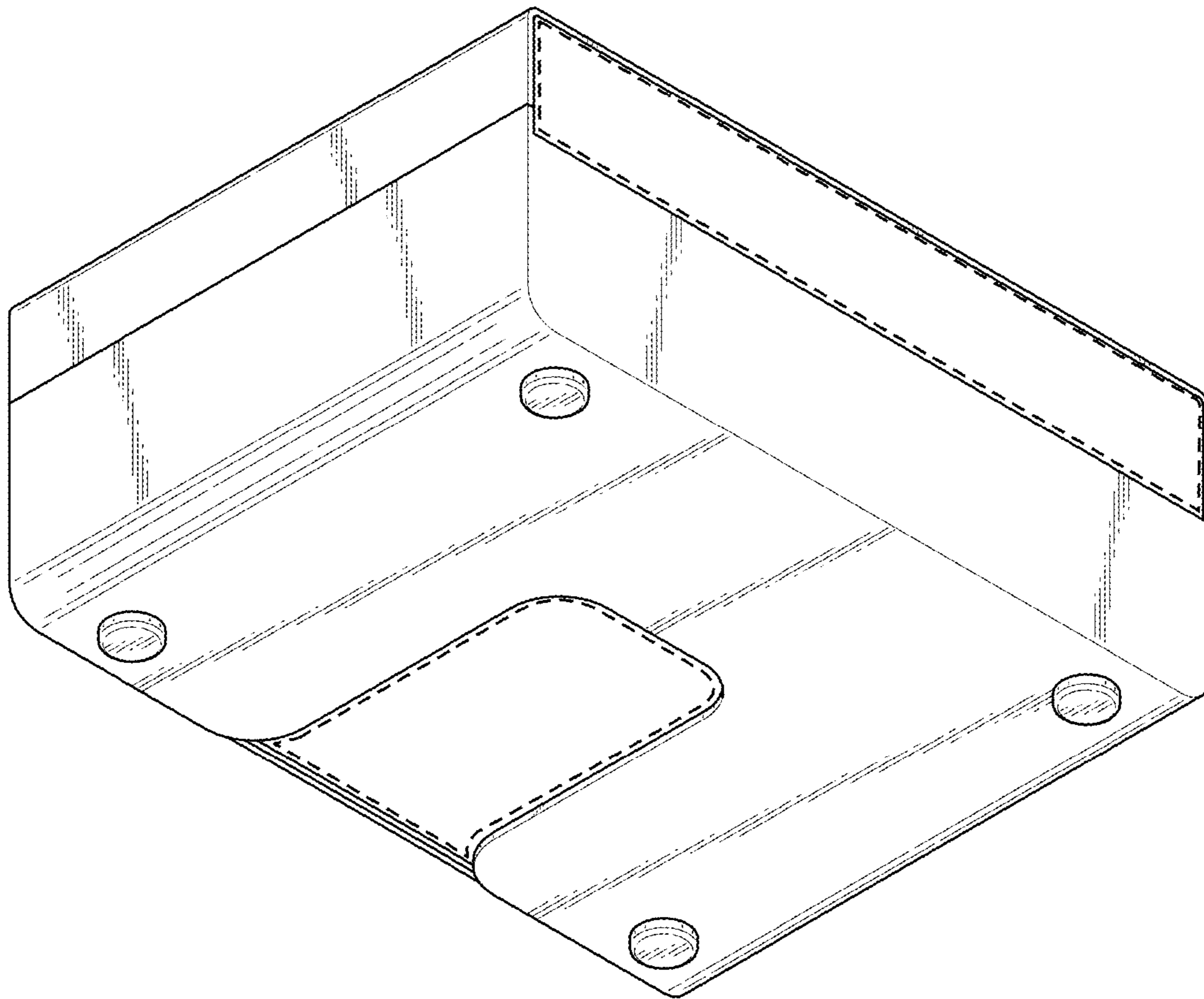


FIG. 2

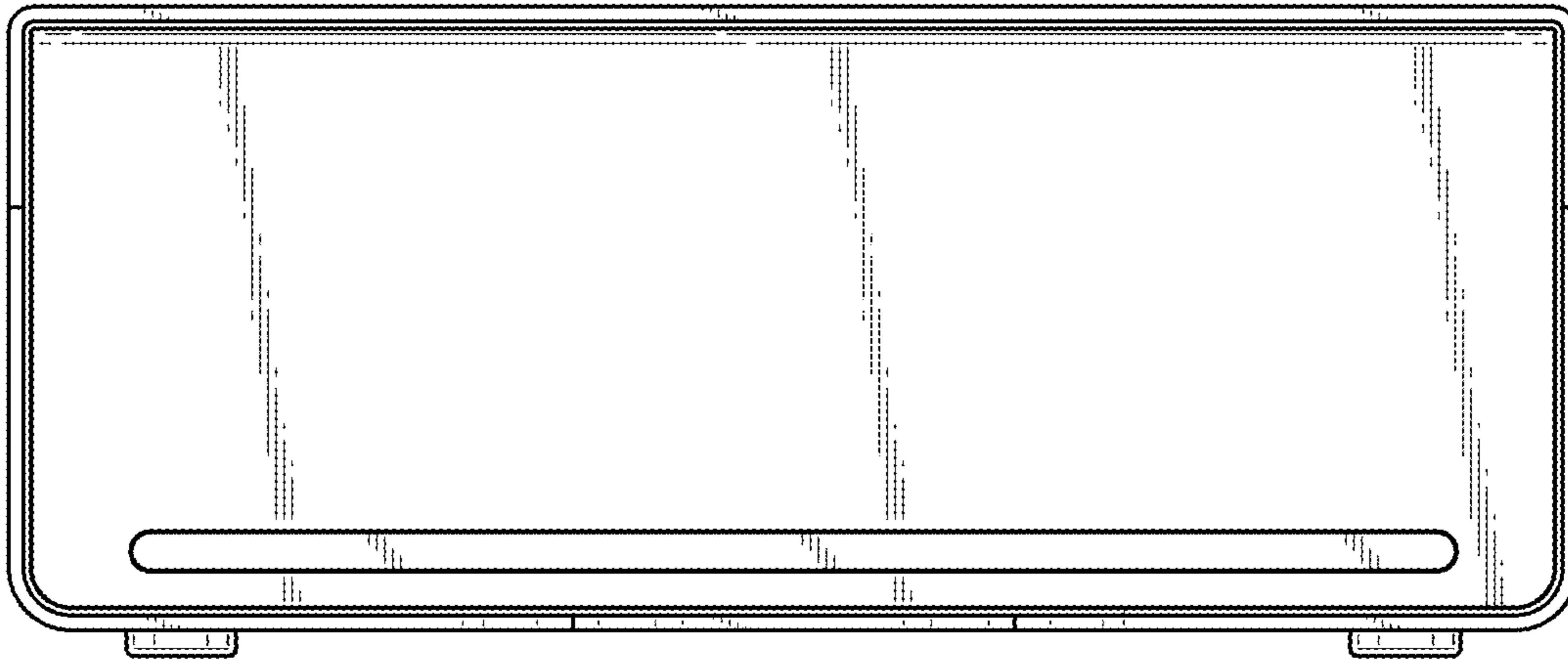


FIG. 3

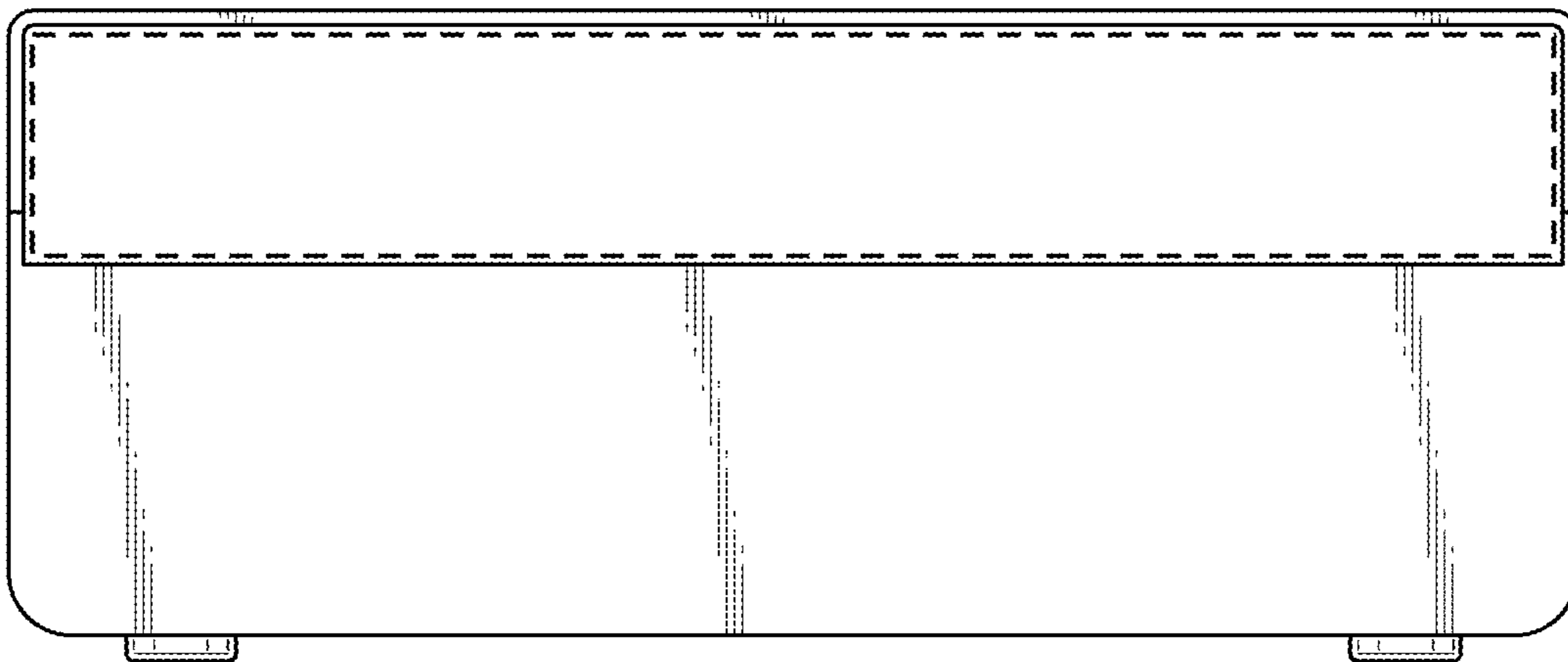


FIG. 4

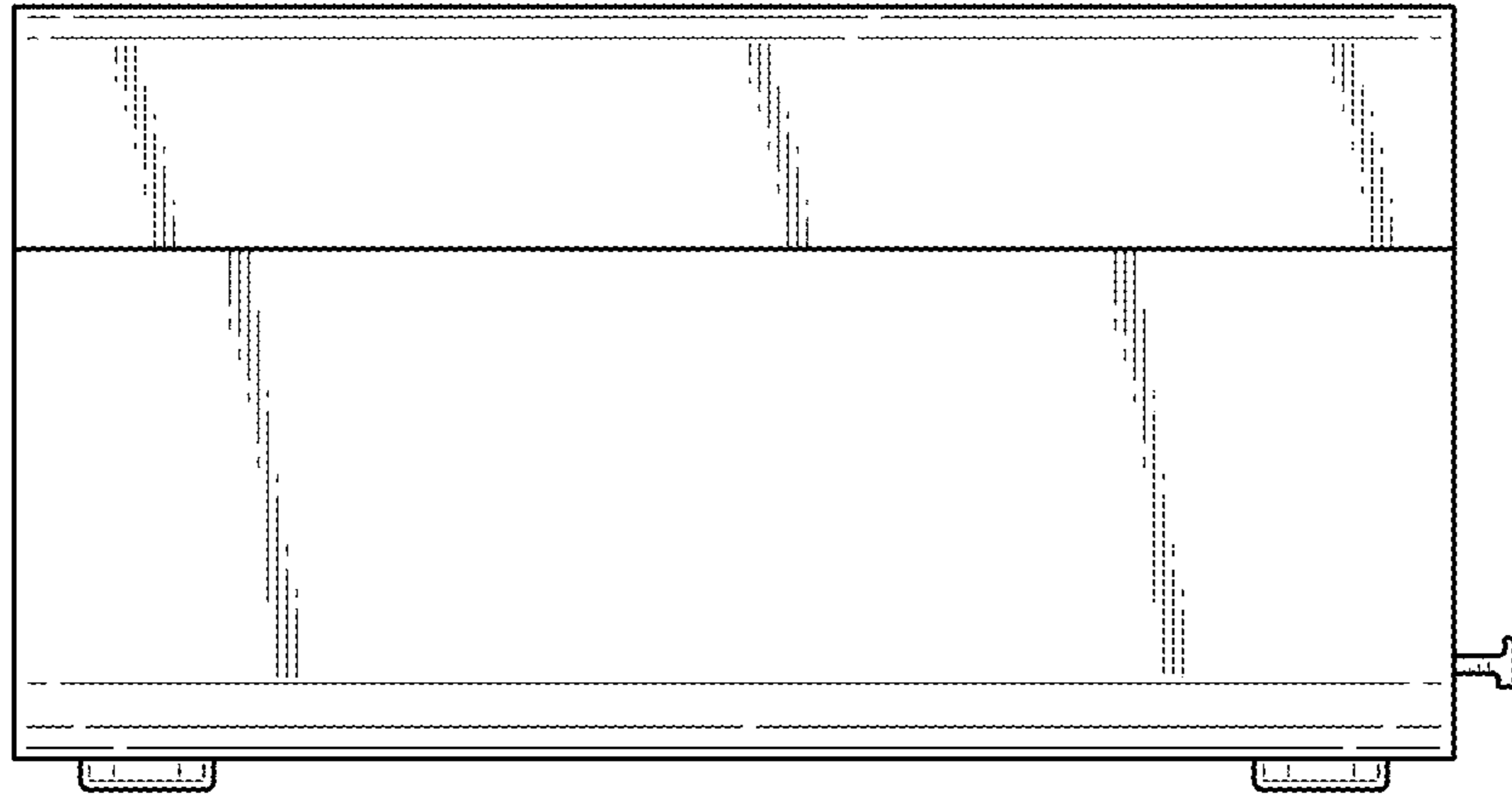


FIG. 5

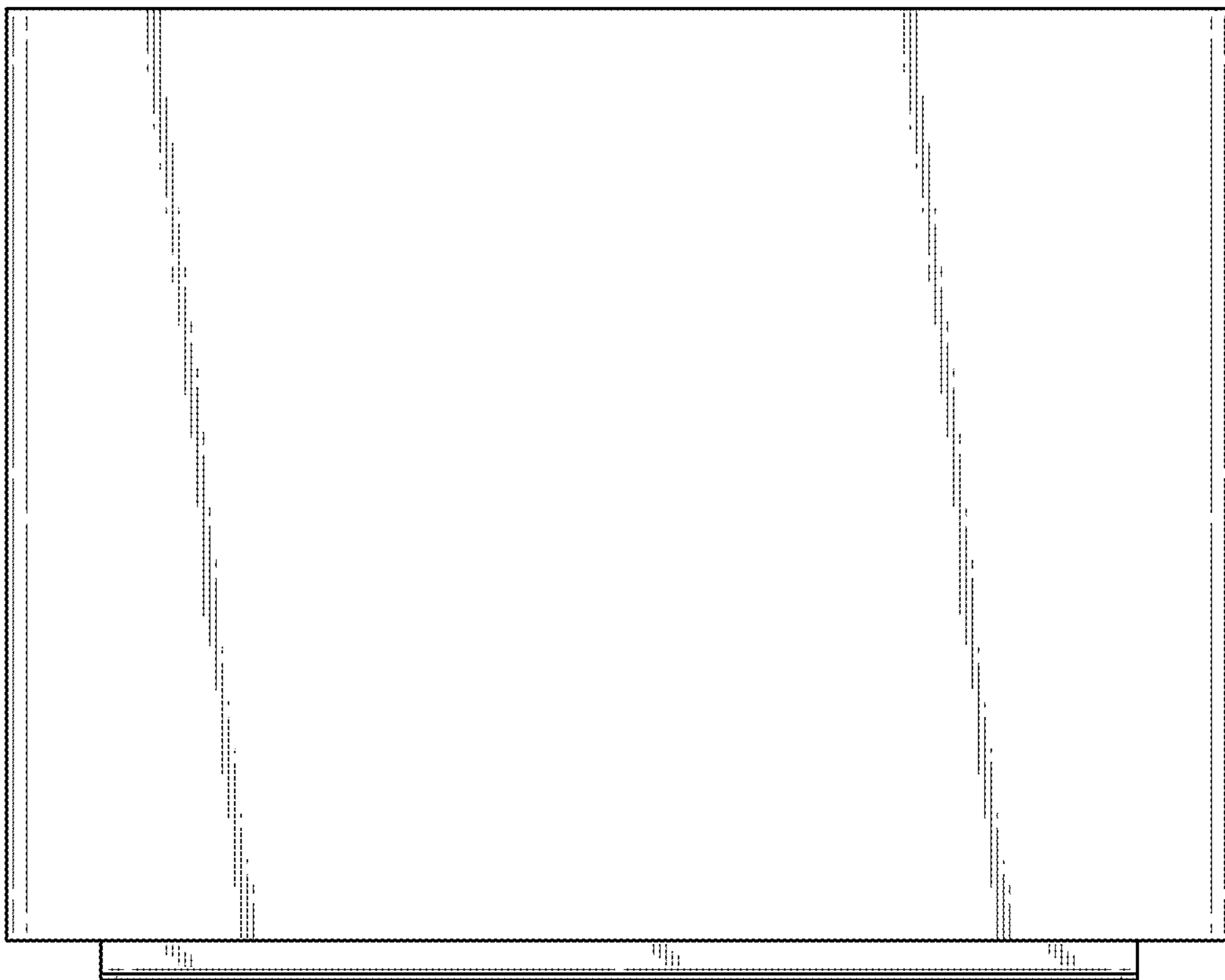


FIG. 6

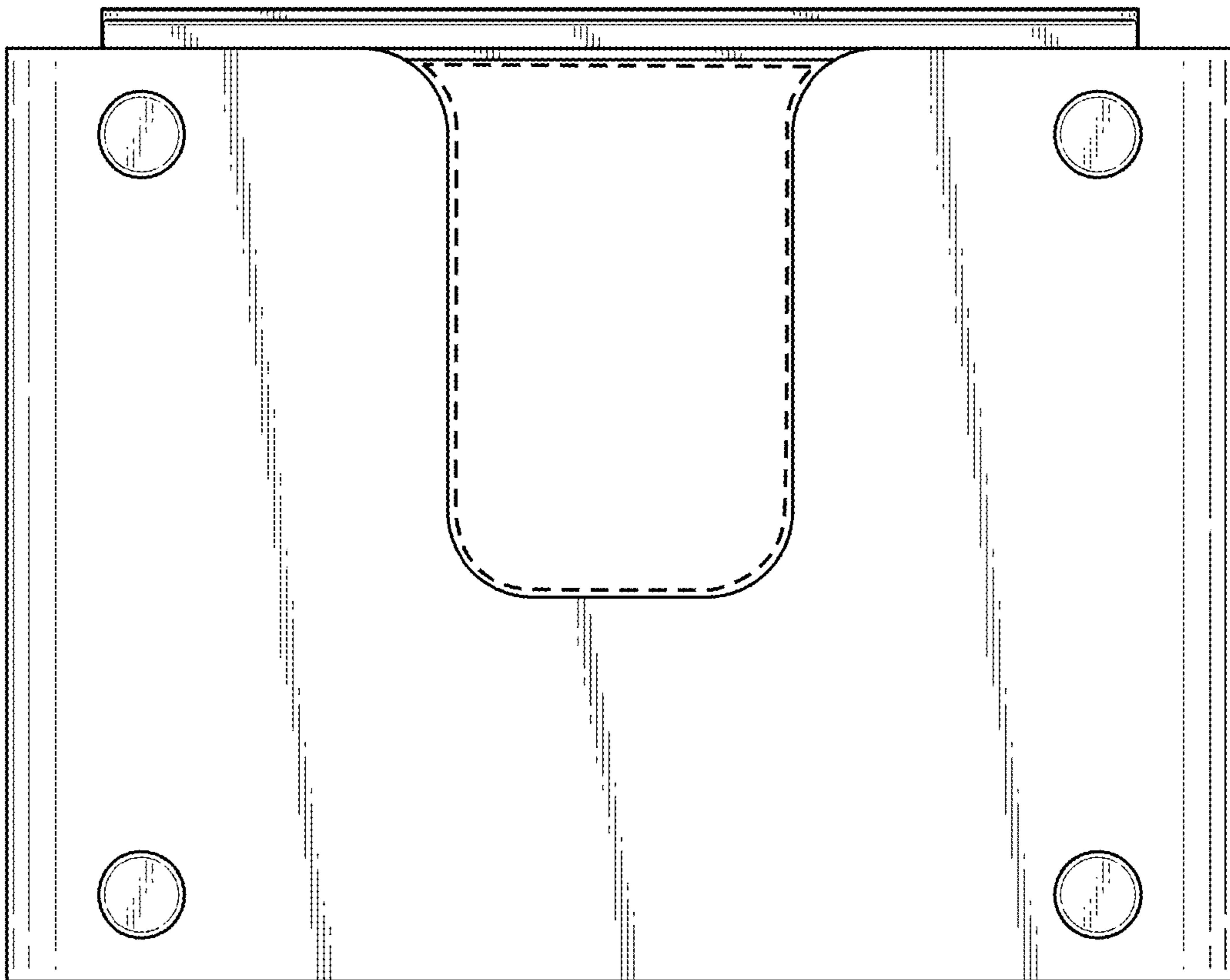


FIG. 7