



US00D773985S

(12) **United States Design Patent** (10) **Patent No.:** **US D773,985 S**
Sakamoto (45) **Date of Patent:** **** Dec. 13, 2016**

(54) **SIDEWALL PORTION OF AN AUTOMOBILE TIRE**

(71) Applicant: **BRIDGESTONE CORPORATION**,
Chuo-ku, Tokyo (JP)

(72) Inventor: **Kohei Sakamoto**, Tokyo (JP)

(73) Assignee: **BRIDGESTONE CORPORATION**,
Tokyo (JP)

(**) Term: **14 Years**

(21) Appl. No.: **29/517,110**

(22) Filed: **Feb. 10, 2015**

(30) **Foreign Application Priority Data**

Aug. 11, 2014 (JP) 2014-017522
Aug. 11, 2014 (JP) 2014-017523

(51) **LOC (10) Cl.** **12-15**

(52) **U.S. Cl.**
USPC **D12/605**

(58) **Field of Classification Search**
USPC D12/605, 604

(Continued)

(56) **References Cited**

U.S. PATENT DOCUMENTS

D569,337 S * 5/2008 Iwabuchi D12/605
D592,591 S * 5/2009 Kuwano D12/605

(Continued)

FOREIGN PATENT DOCUMENTS

JP 1478336 S 9/2013
JP 1478559 S 9/2013

OTHER PUBLICATIONS

Communication dated Feb. 3, 2015 from the Japanese Patent Office
in counterpart application No. 2014017522.

(Continued)

Primary Examiner — George D Kirschbaum

Assistant Examiner — Clese Moore, Jr.

(74) *Attorney, Agent, or Firm* — Sughrue Mion, PLLC

(57) **CLAIM**

The ornamental design for a sidewall portion of an automobile tire, as shown and described.

DESCRIPTION

FIG. 1 is a perspective view of a sidewall portion of an automobile tire according to a first embodiment of my new design;

FIG. 2 is a front view thereof;

FIG. 3 is a top view thereof;

FIG. 4 is a right side view thereof;

FIG. 5 is a rear view thereof;

FIG. 6 is a fragmentary enlarged view showing the details of the sidewall portion defined by the brackets 6-6 in FIG. 2;

FIG. 7 is a section view taken along line 7-7 in FIG. 6;

FIG. 8 is a perspective view of a sidewall portion of an automobile tire according to a second embodiment of my new design;

FIG. 9 is a front view thereof;

FIG. 10 is a top view thereof;

FIG. 11 is a right side view thereof;

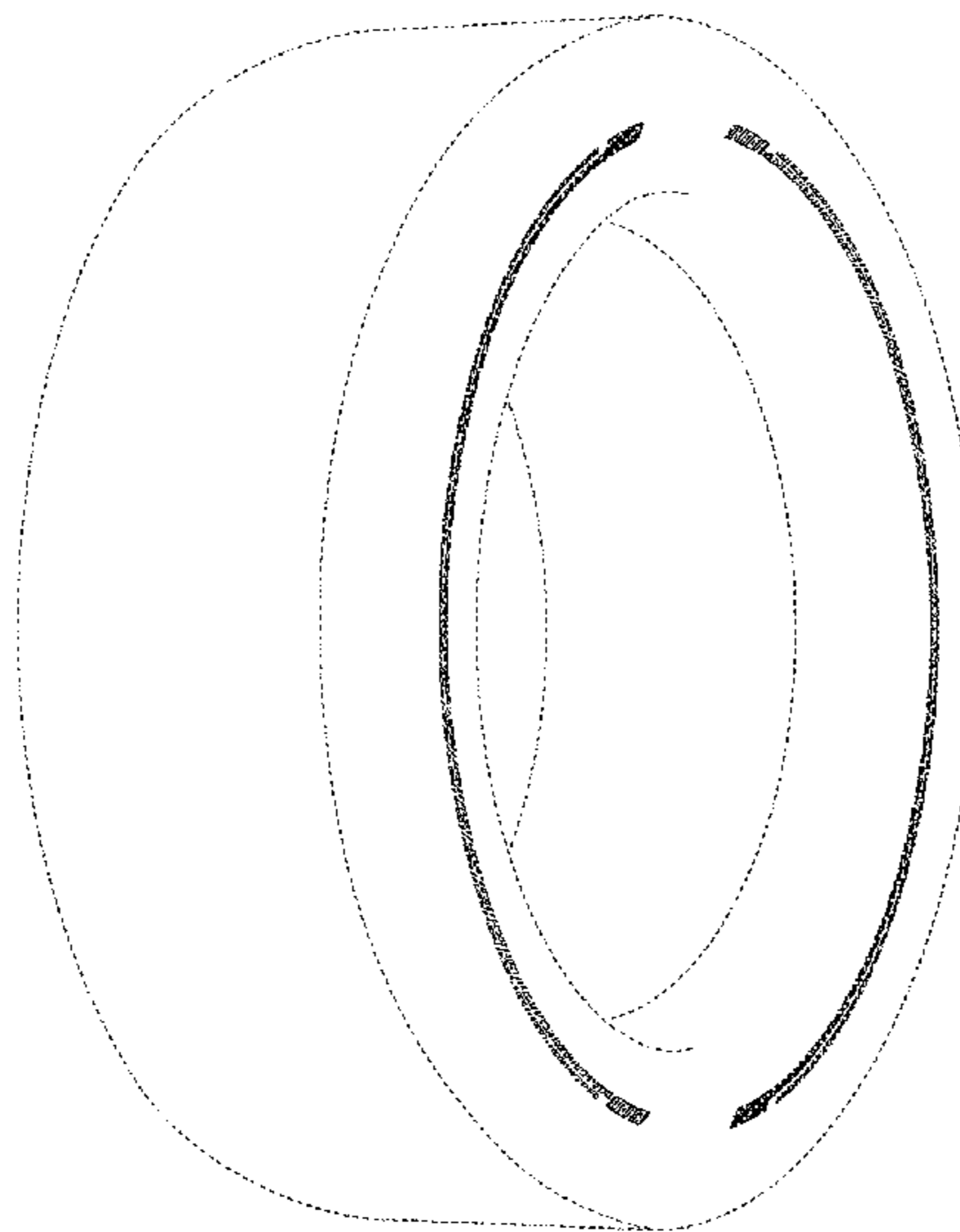
FIG. 12 is a rear view thereof;

FIG. 13 is a fragmentary enlarged view showing the details of the sidewall portion defined by the brackets 13-13 in FIG. 9; and,

FIG. 14 is a section view taken along line 14-14 in FIG. 13.

The broken lines are used to show portions of the tire that are not being claimed, and thus form no part of the claimed design.

1 Claim, 14 Drawing Sheets



(58) **Field of Classification Search**

CPC B60C 1/00; B60C 13/00
See application file for complete search history.

(56) **References Cited**

U.S. PATENT DOCUMENTS

D708,121	S	*	7/2014	Iwabuchi	D12/605
D711,816	S	*	8/2014	Iwabuchi	D12/605
D735,123	S	*	7/2015	Iwabuchi	D12/605
D735,124	S	*	7/2015	Iwabuchi	D12/605
D739,344	S	*	9/2015	Kuwano	D12/605
D750,015	S	*	2/2016	Scheifele	D12/605

OTHER PUBLICATIONS

Communication dated Feb. 3, 2015 from the Japanese Patent Office
in counterpart application No. 2014017523.

* cited by examiner

FIG. 1

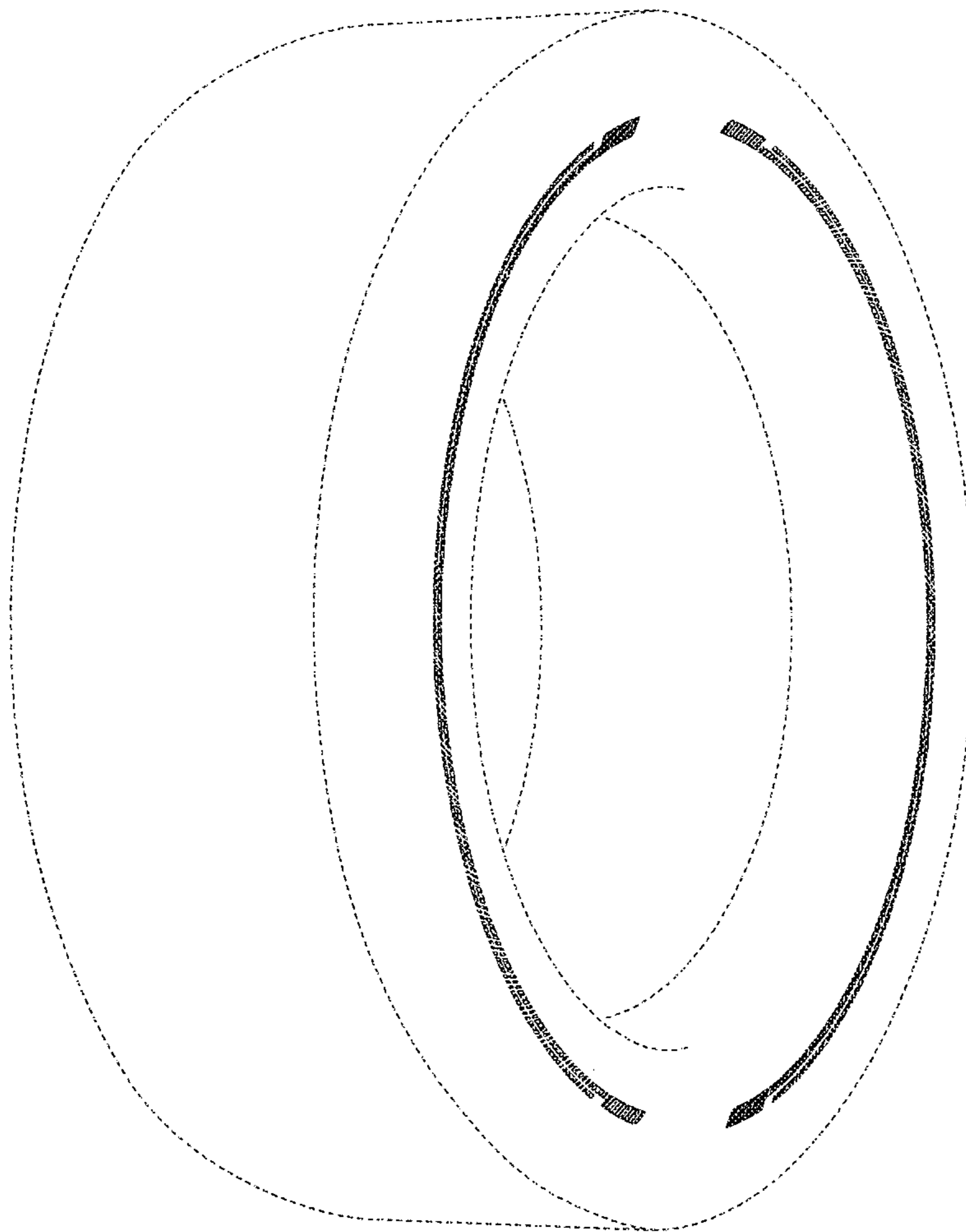


FIG. 2

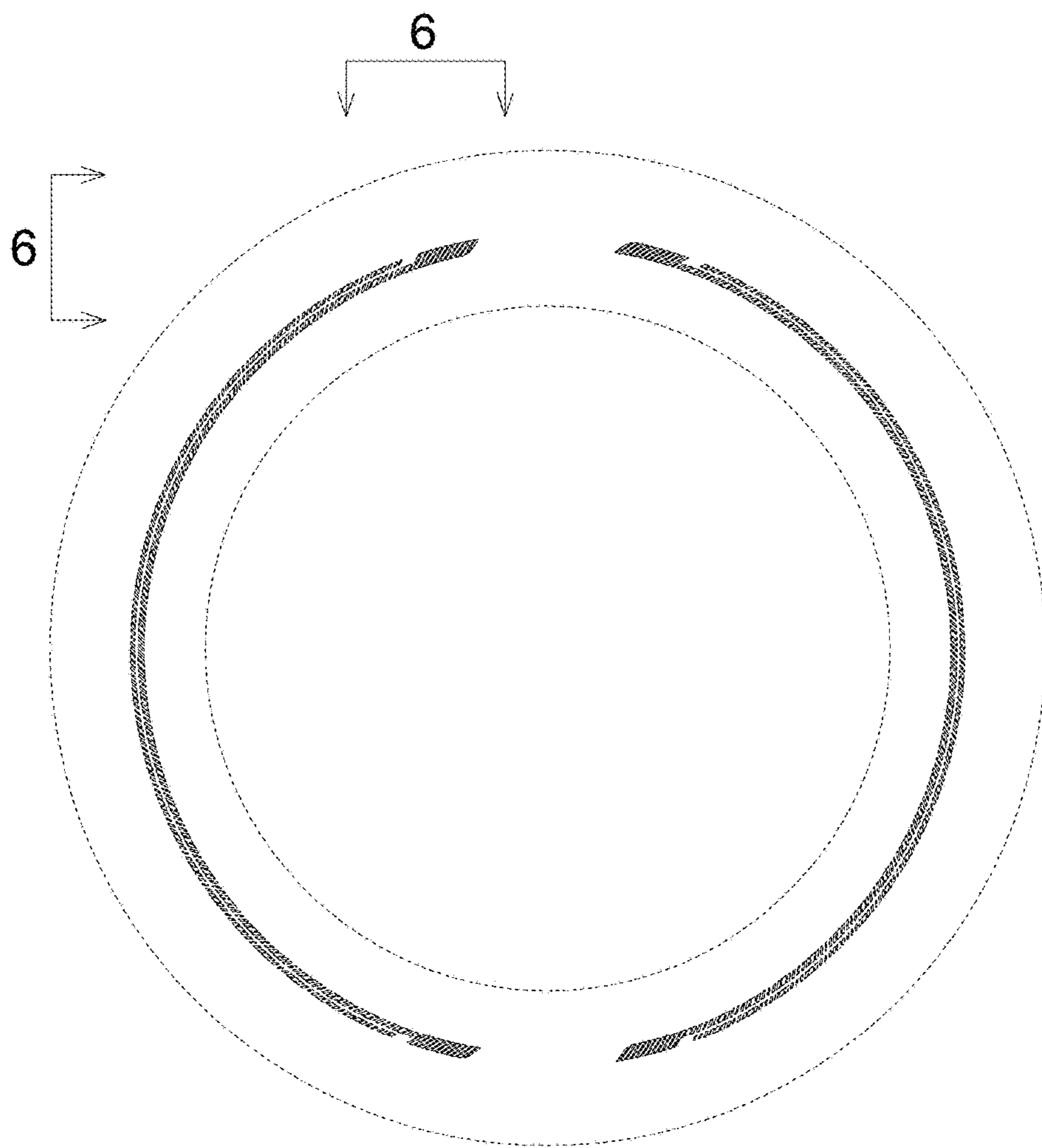


FIG. 3

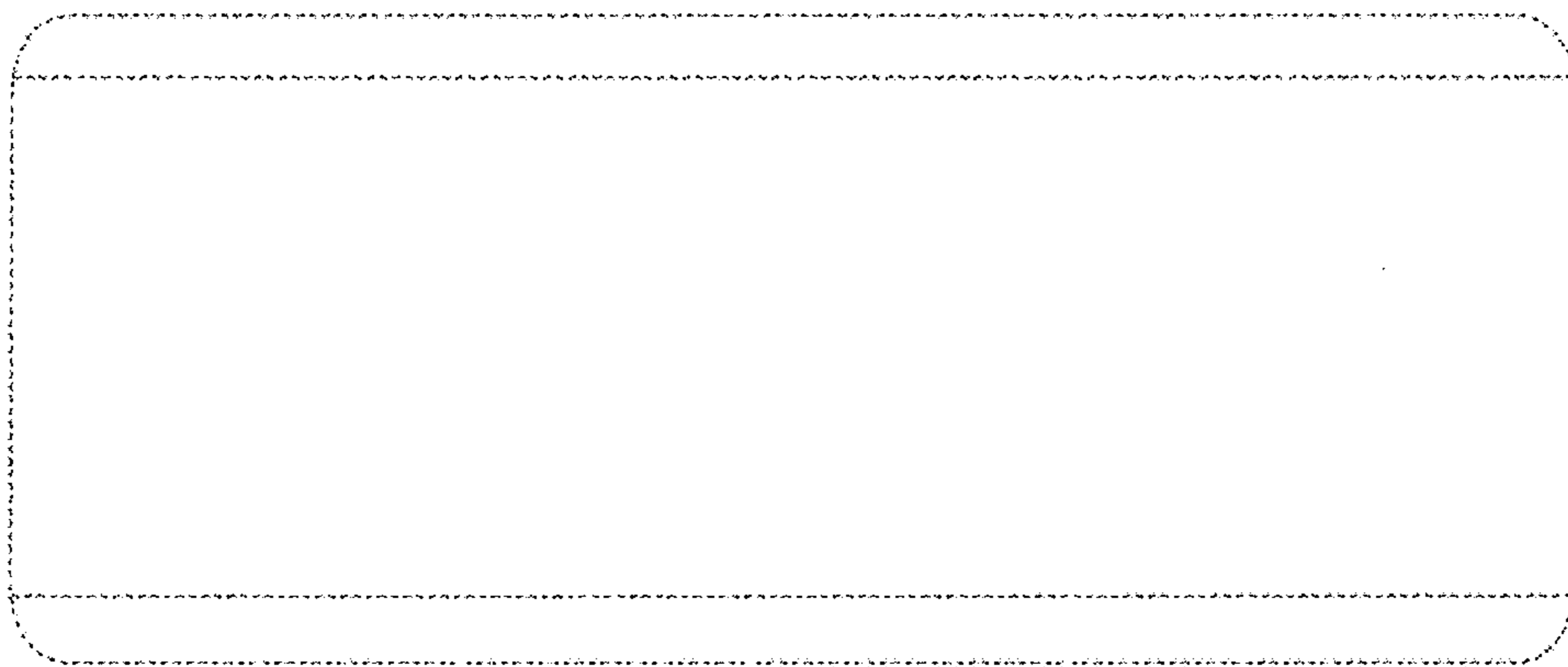


FIG. 4

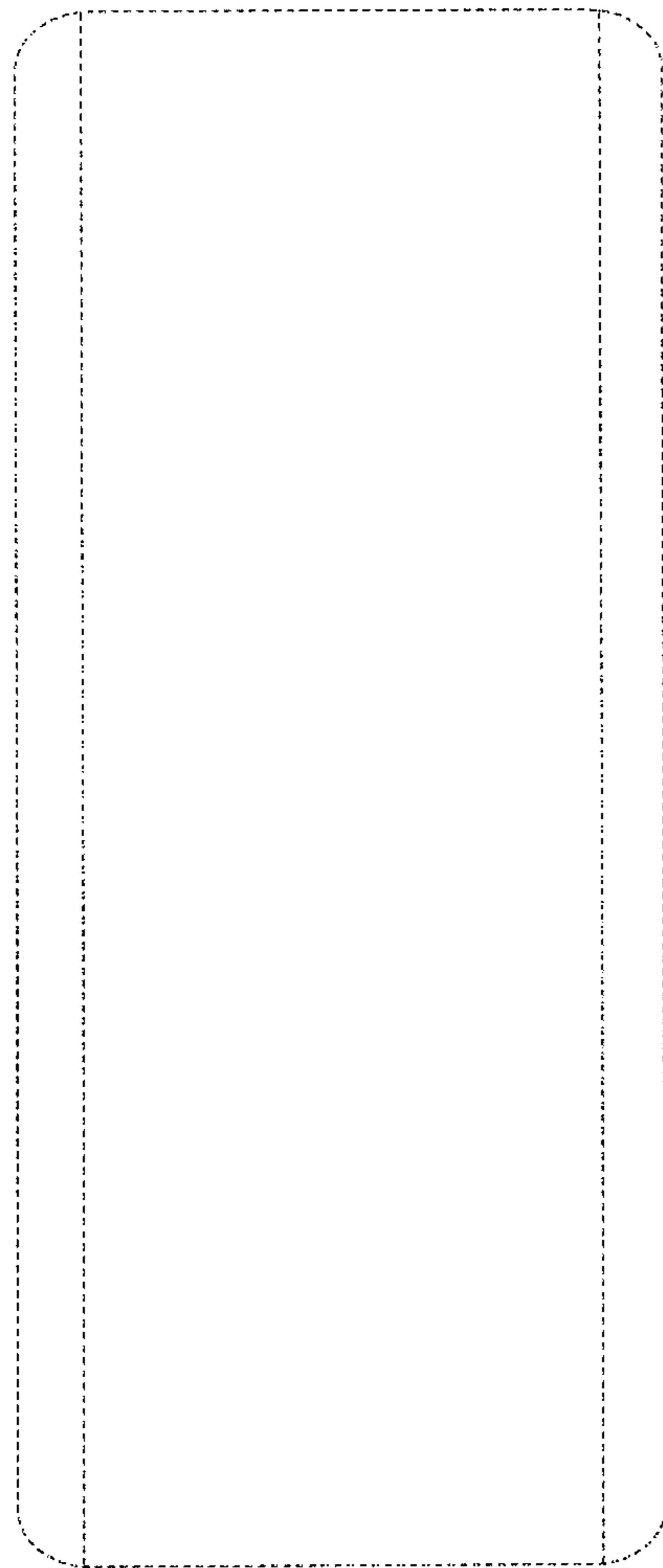


FIG. 5

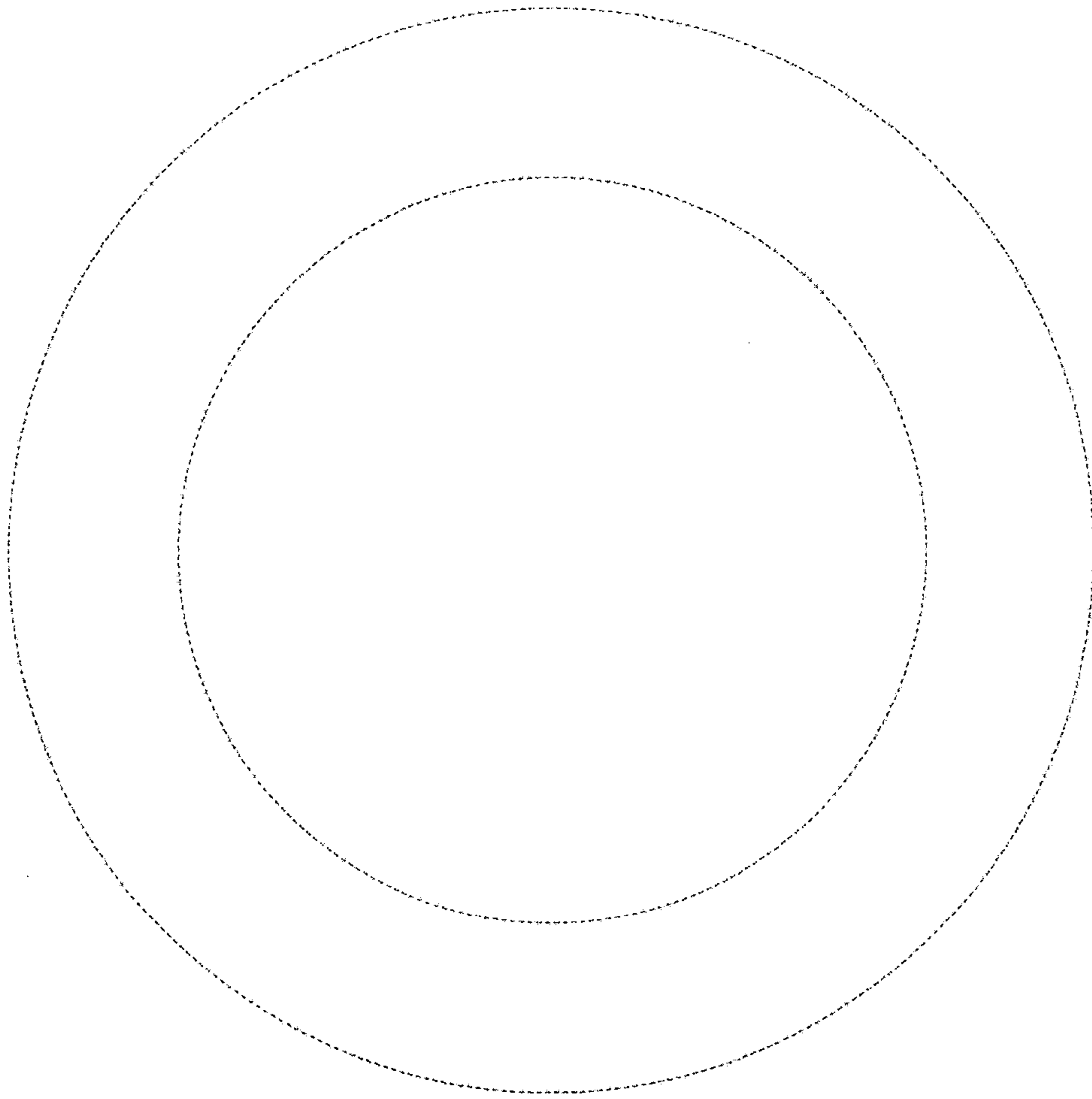


FIG. 6

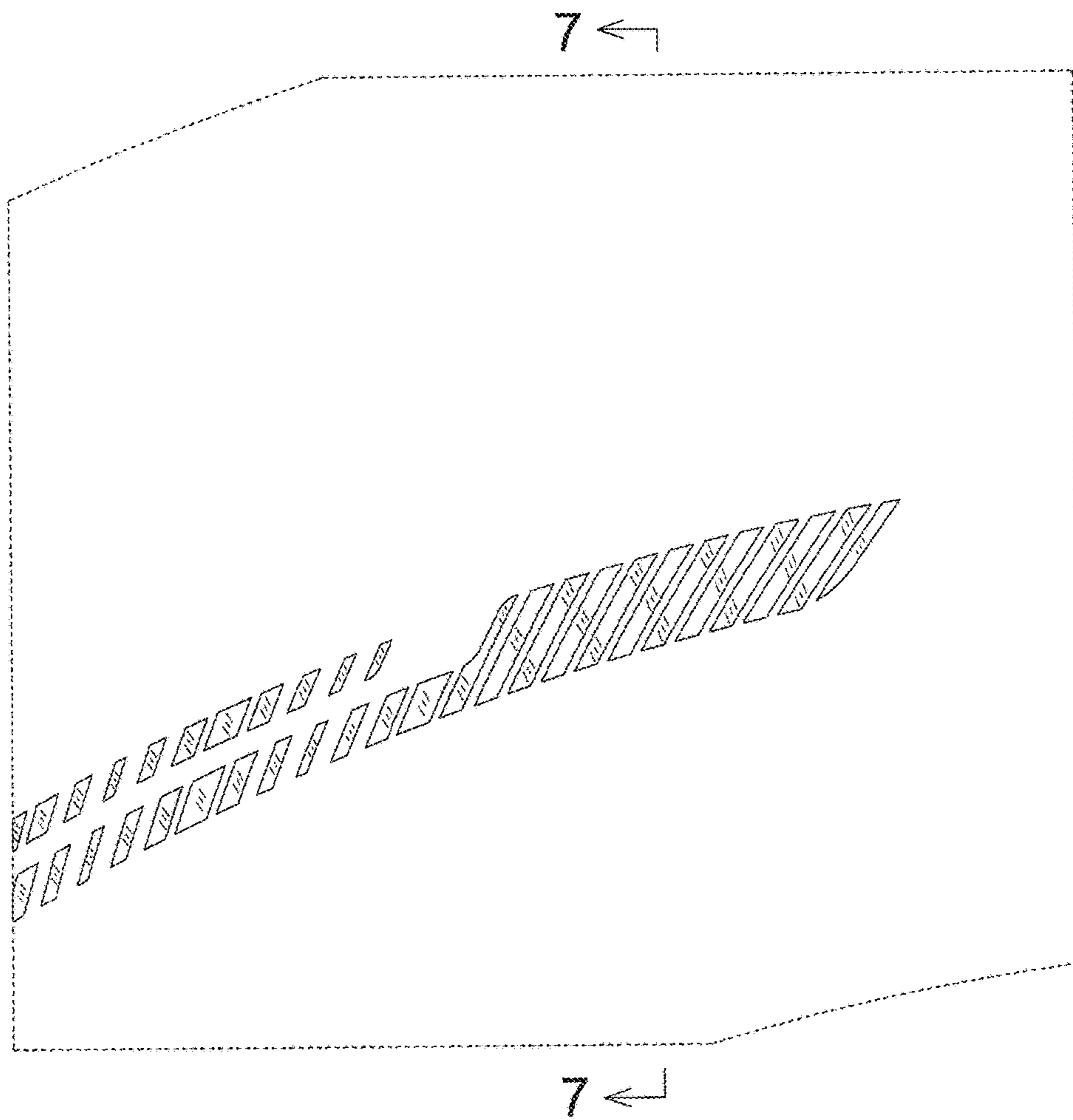


FIG. 7

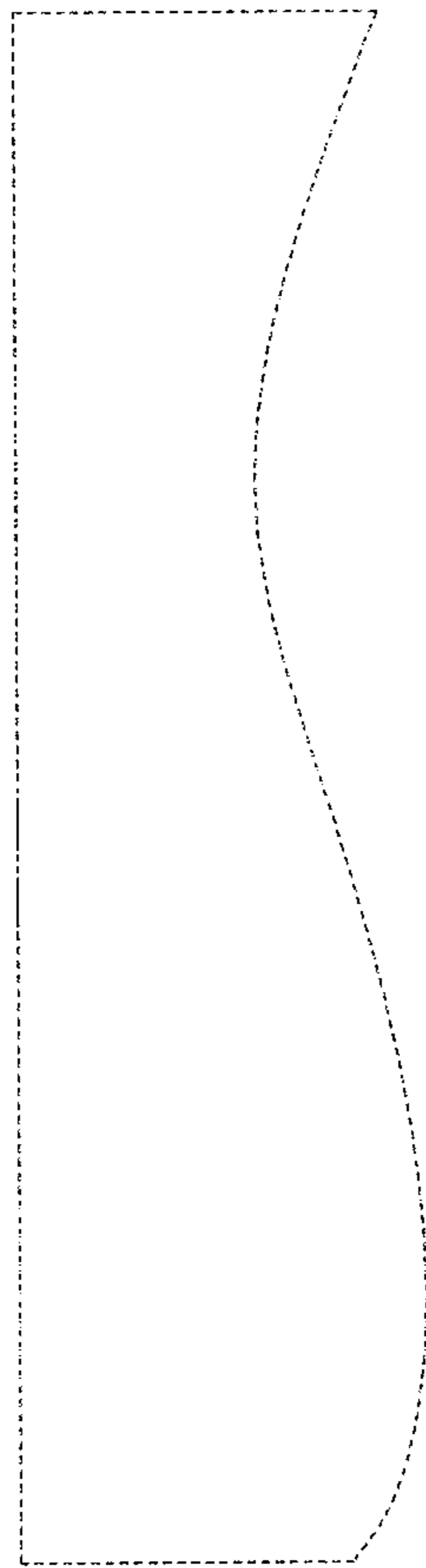


FIG. 8

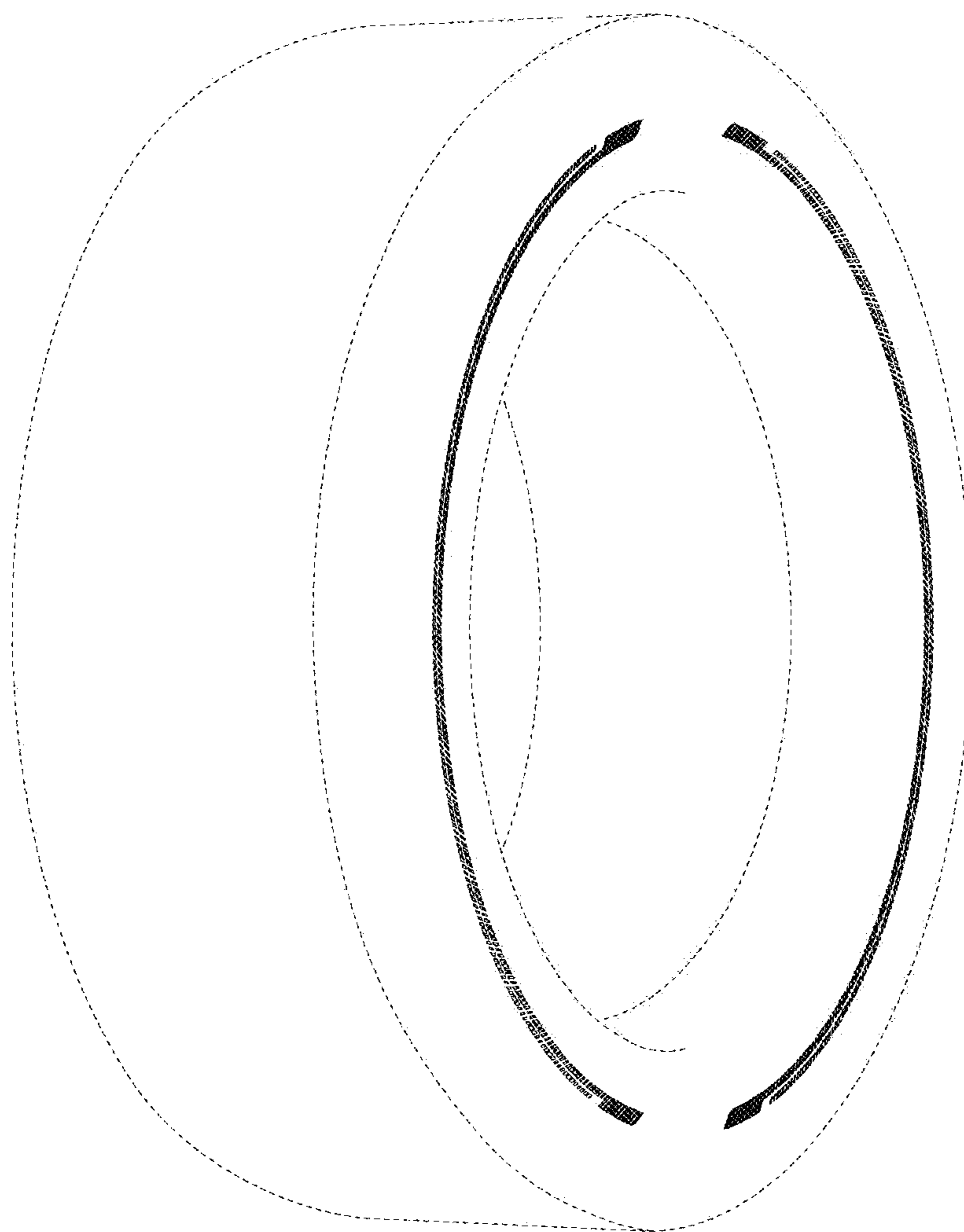


FIG. 9

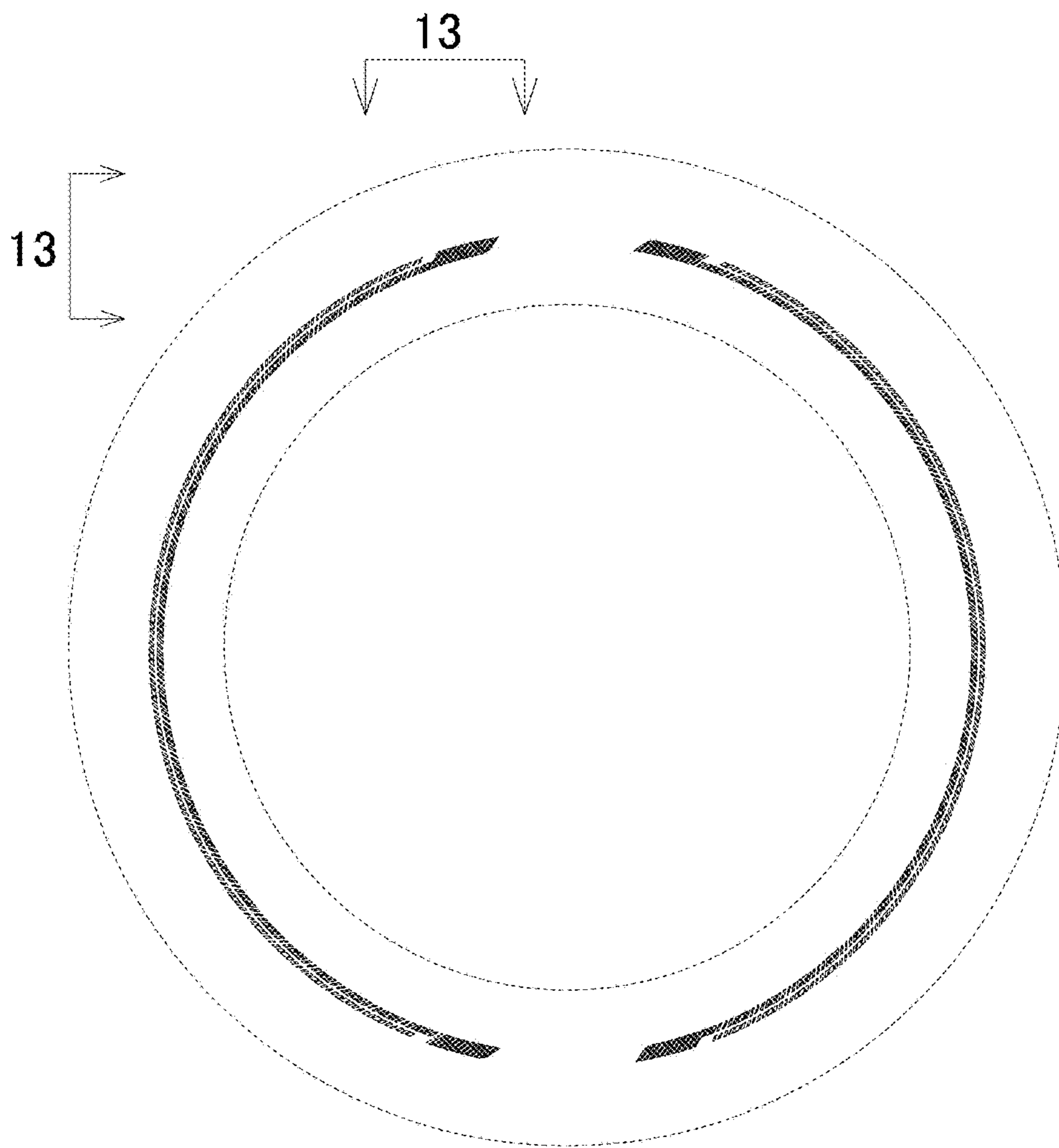


FIG. 10

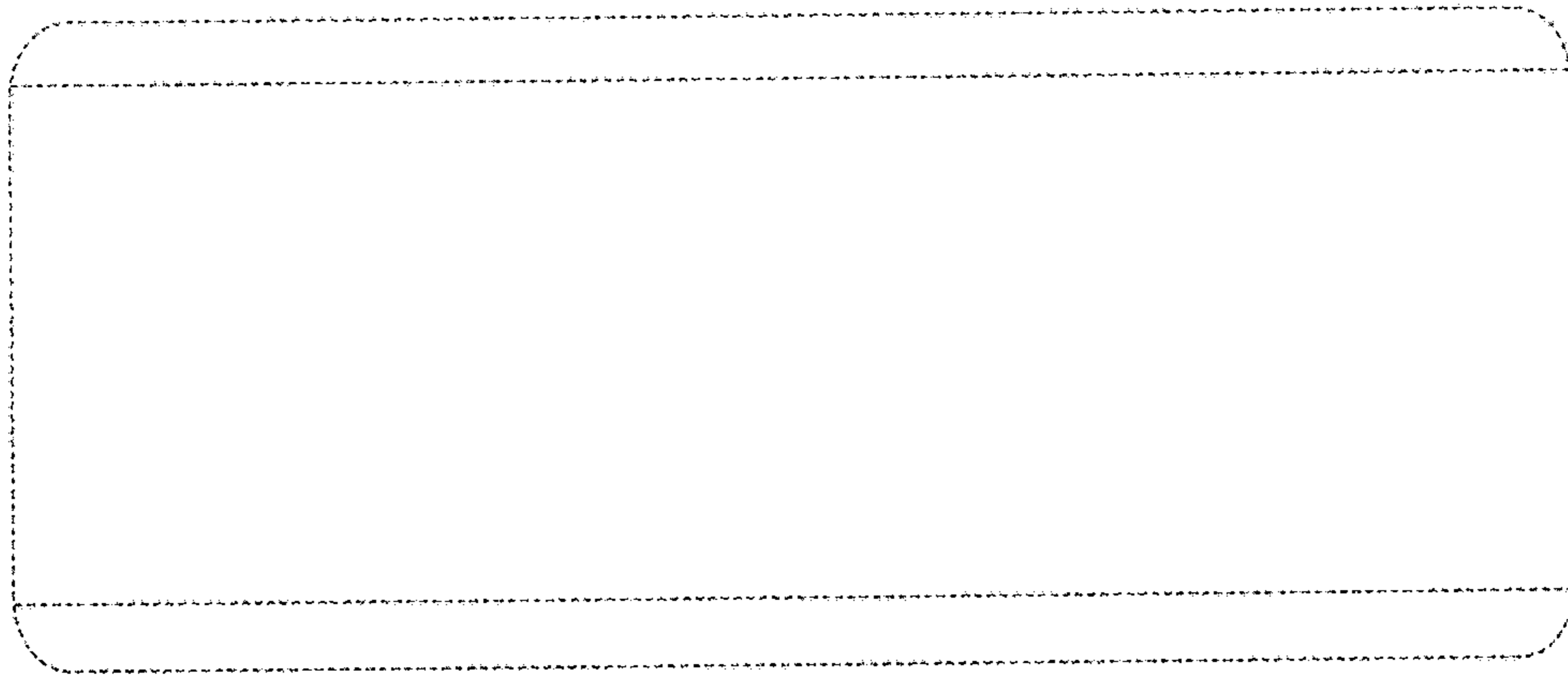


FIG. 11

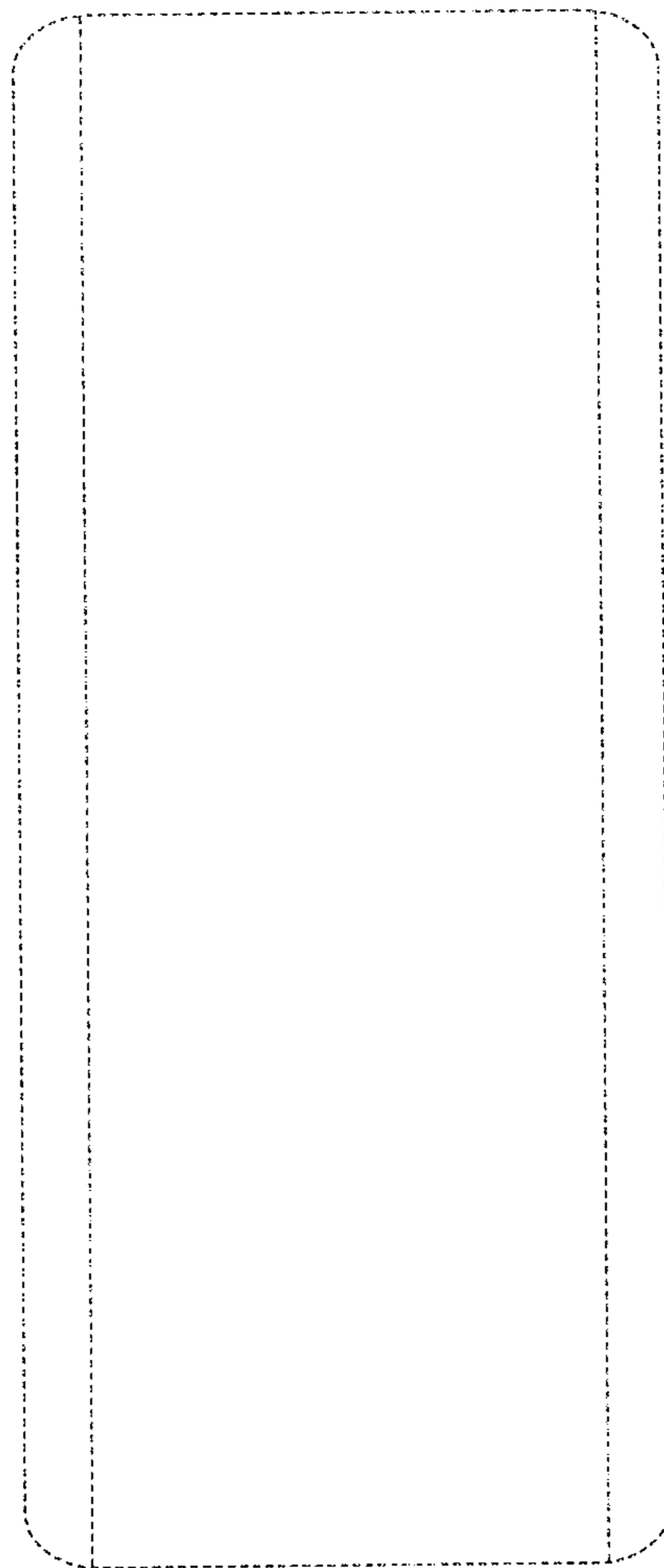


FIG. 12

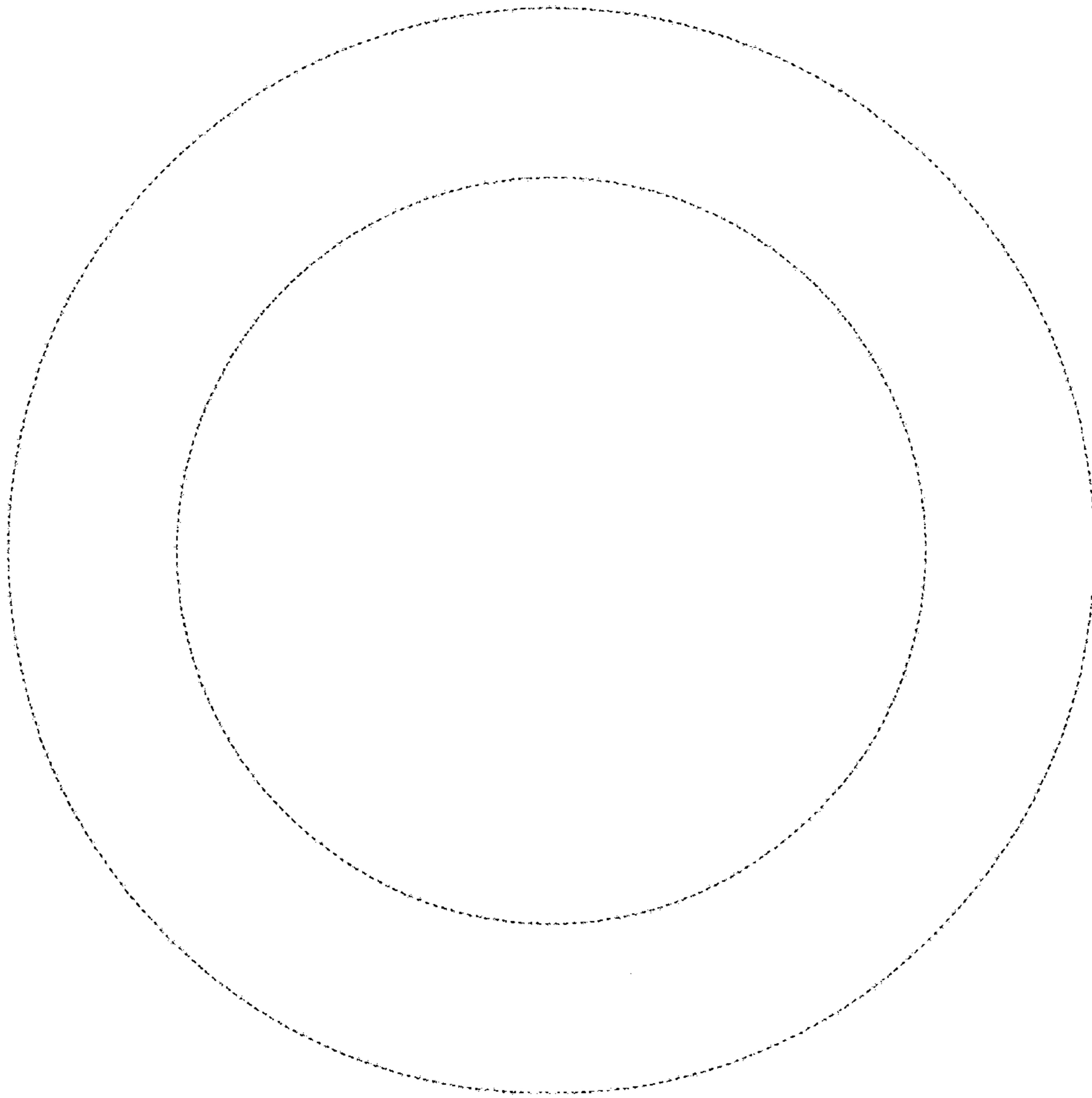


FIG. 13

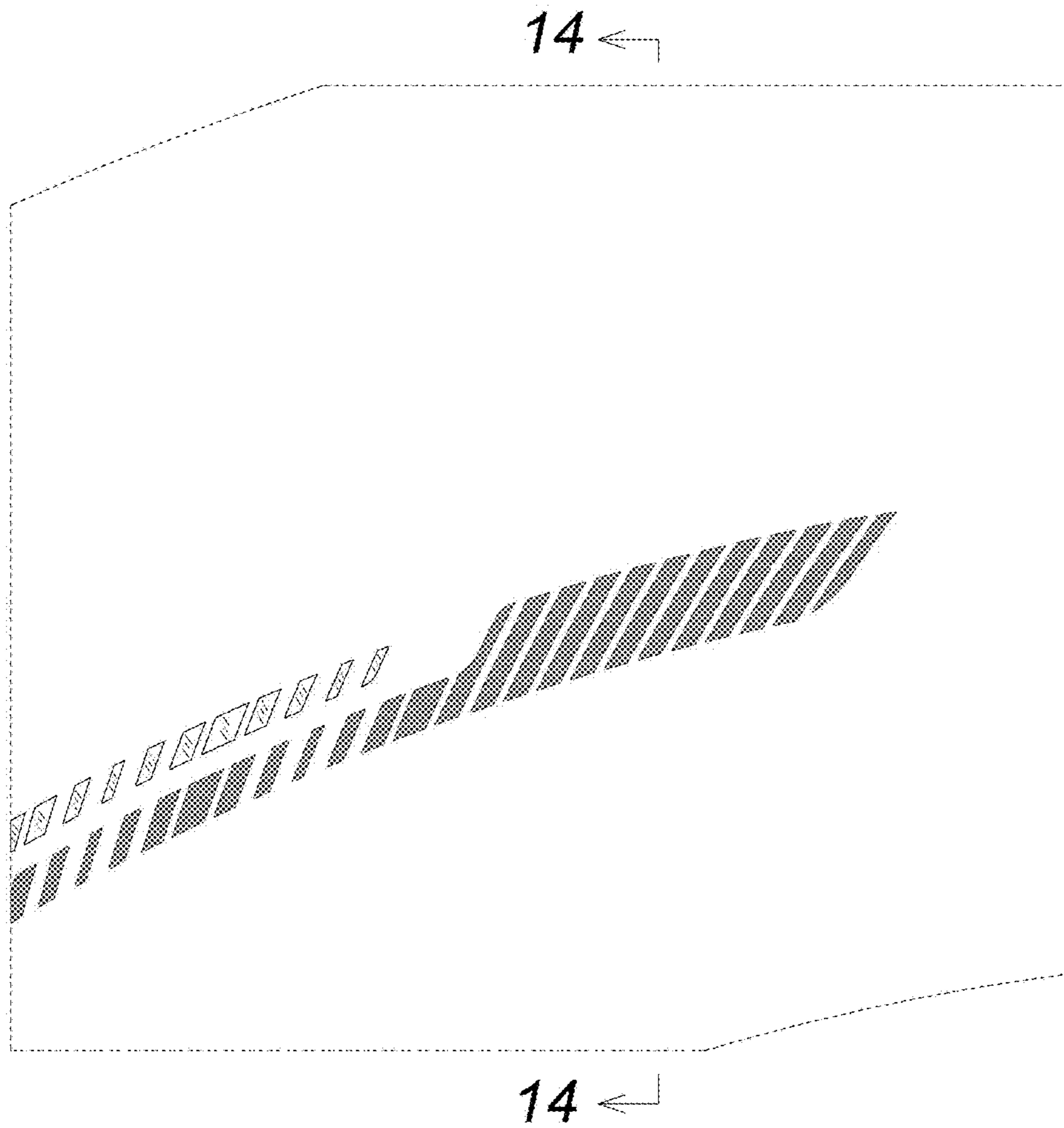


FIG. 14

