

US00D773979S

(12) **United States Design Patent** (10) **Patent No.:** **US D773,979 S**
Becker et al. (45) **Date of Patent:** **** Dec. 13, 2016**

- (54) **TIRE**
- (71) Applicant: **The Goodyear Tire & Rubber Company, Akron, OH (US)**
- (72) Inventors: **Marc Becker, Konz (DE); Vincent Benoit Mathonet, Harze (BE); Albert Maurice Pol Ghislain Lerusse, Bastogne (BE); Philippe Joseph Auguste Muller, Champlon (BE)**
- (73) Assignee: **The Goodyear Tire & Rubber Company, Akron, OH (US)**
- (**) Term: **15 Years**
- (21) Appl. No.: **29/544,102**
- (22) Filed: **Oct. 30, 2015**
- (51) **LOC (10) Cl.** **12-15**
- (52) **U.S. Cl.**
USPC **D12/564**
- (58) **Field of Classification Search**
USPC D12/533-567
CPC B60C 1/0016; B60C 11/0306; B60C 11/0302; B60C 3/06; B60C 9/17
See application file for complete search history.

- D512,682 S 12/2005 Krenz et al. D12/564
- D596,559 S 7/2009 Scheuren D12/579
- D599,731 S 9/2009 Scheuren D12/566

(Continued)

Primary Examiner — Robert M Spear
Assistant Examiner — John Voytek
(74) *Attorney, Agent, or Firm* — Robert N. Lipsik

(57) **CLAIM**

The ornamental design for a tire, as shown and described.

DESCRIPTION

FIG. 1 is a perspective view of a tire showing our new design, it being understood that the pattern repeats uniformly throughout the circumference of the tread;
 FIG. 2 is a front elevational view thereof;
 FIG. 3 is a right side elevational view thereof; the other side being a mirror image thereof;
 FIG. 4 is an enlarged fragmentary front elevational view thereof;
 FIG. 5 is a perspective view of a second embodiment of a tire showing our new design, it being understood that the pattern repeats uniformly throughout the circumference of the tread and that the opposite side view is a mirror image thereof; and,
 FIG. 6 is a front elevational view of a second embodiment, it being understood that an enlarged fragmentary view thereof would be substantially identical to that shown in FIG. 4, with the exception of the inclusion of the sidewall in the claim.

In the drawings, the broken lines showing of the sidewall, inner bead and the peripheral boundary between the tire tread and the sidewall in FIGS. 1 through 4 depict environmental subject matter and form no part of the claimed design.

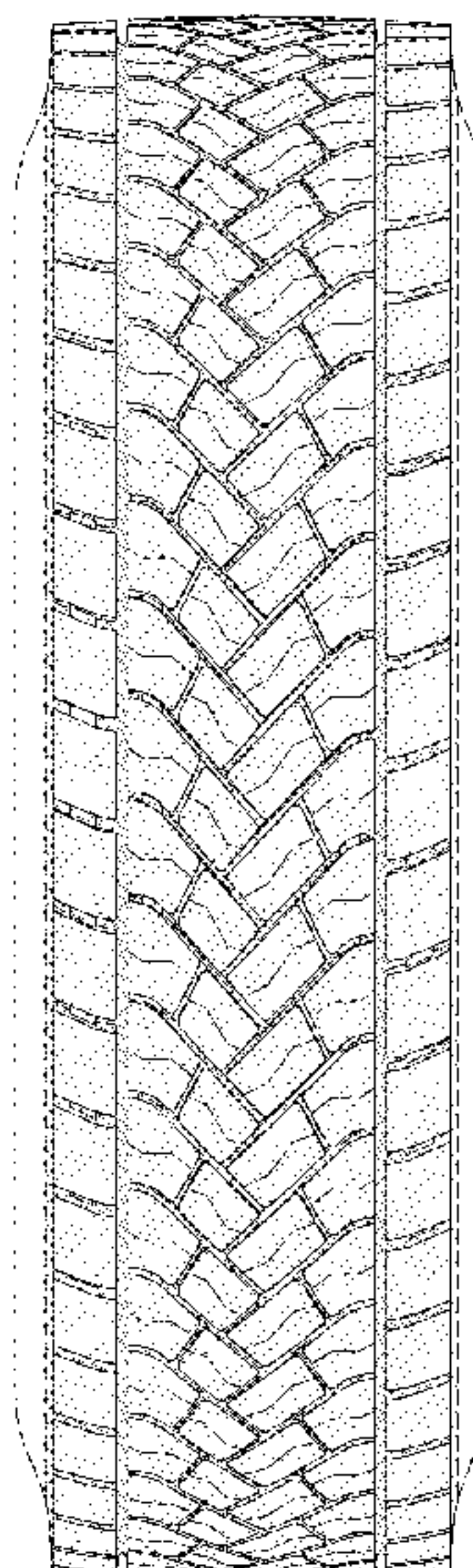
The dark stippled surface shading represents the recessed portion of the tread grooves having a depth as best shown in FIG. 2.

1 Claim, 6 Drawing Sheets

(56) **References Cited**

U.S. PATENT DOCUMENTS

- D322,237 S 12/1991 Nakatani D12/147
- D370,196 S 5/1996 Graas et al. D12/147
- D390,512 S * 2/1998 Eromaki D12/553
- D395,265 S 6/1998 Graas D12/147
- D398,888 S * 9/1998 de Barsy D12/553
- D400,832 S 11/1998 Dixon et al. D12/147
- D441,696 S 5/2001 Fierro et al. D12/147
- D455,998 S 4/2002 Heinen et al. D12/566
- D471,509 S 3/2003 Graas D12/545



(56)

References Cited

U.S. PATENT DOCUMENTS

D656,085 S	3/2012	Maus et al.	D12/544
D684,523 S	6/2013	Scheuren et al.	D12/564
D684,922 S	6/2013	Scheuren et al.	D12/564
D710,292 S	8/2014	Le et al.	D12/564
D720,684 S	1/2015	Mathonet et al.	D12/564
D724,008 S	3/2015	Mathonet et al.	D12/564
D733,641 S	7/2015	Mathonet et al.	D12/565
D756,293 S *	5/2016	Mathonet	D12/566

* cited by examiner

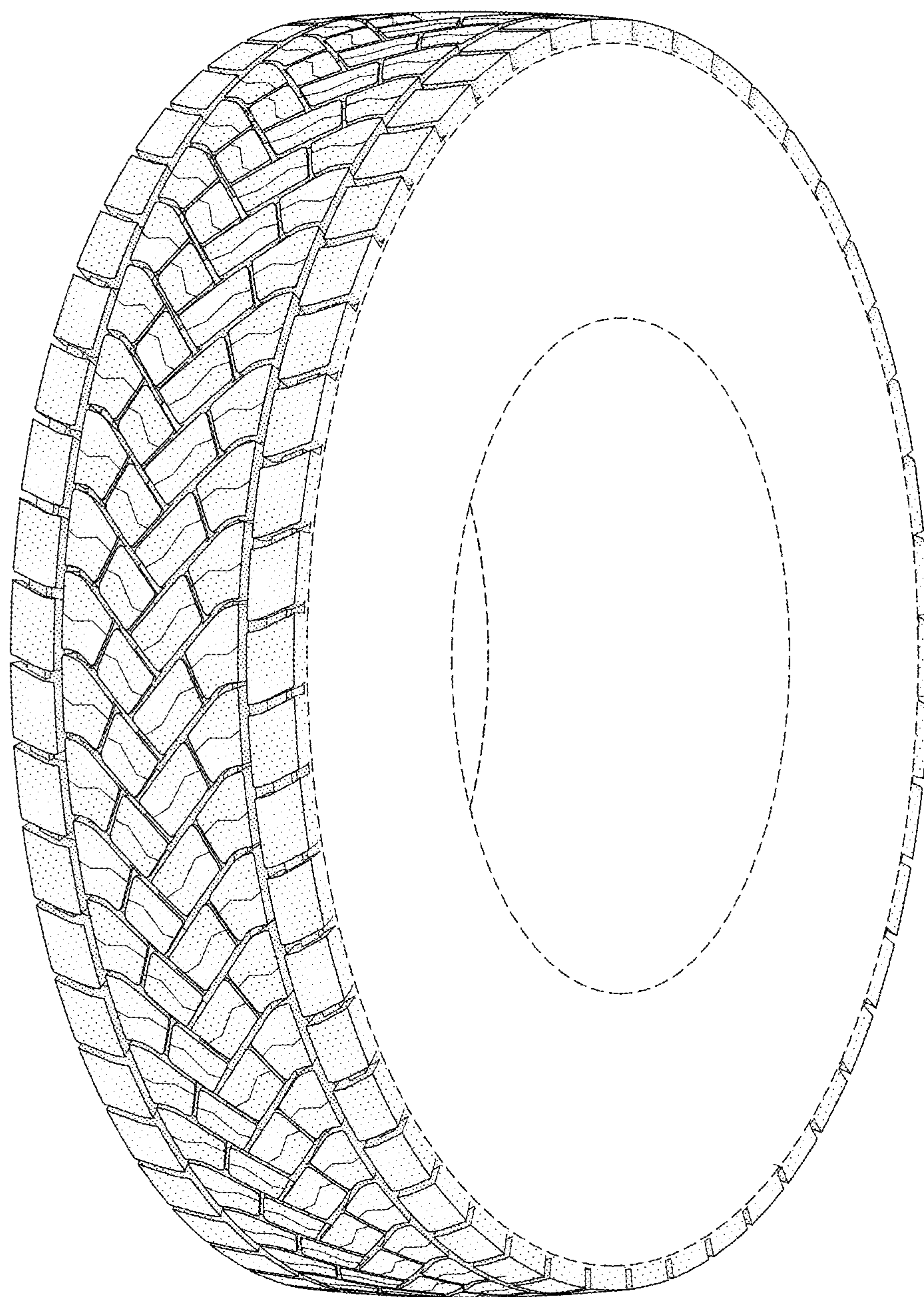


FIG-1

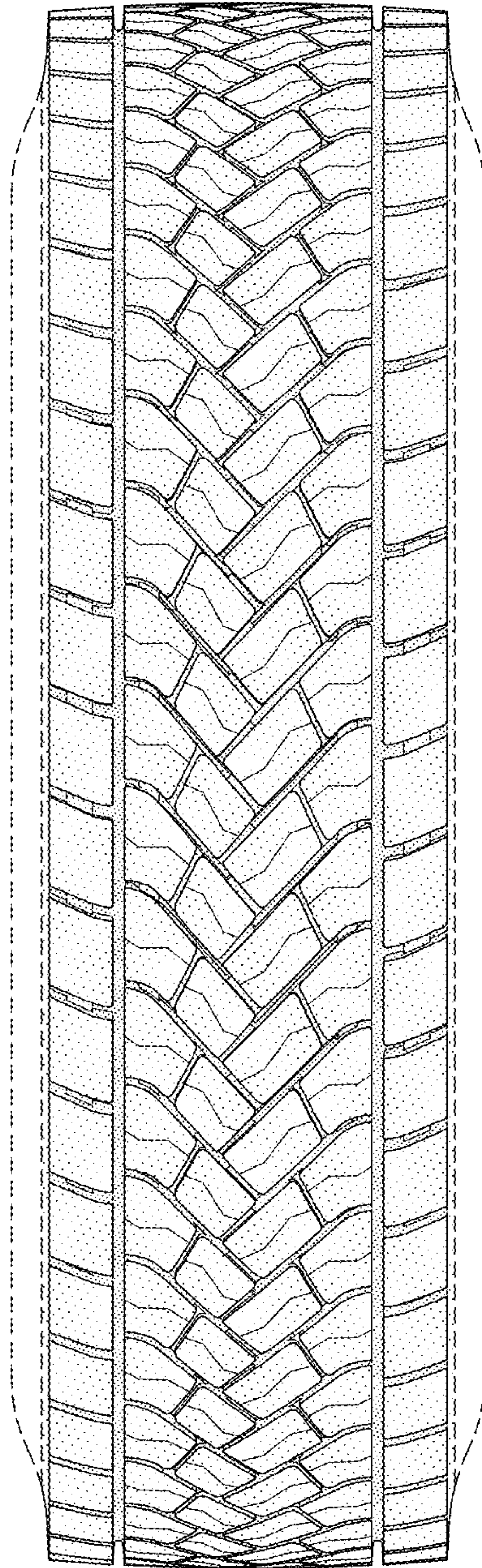


FIG-2

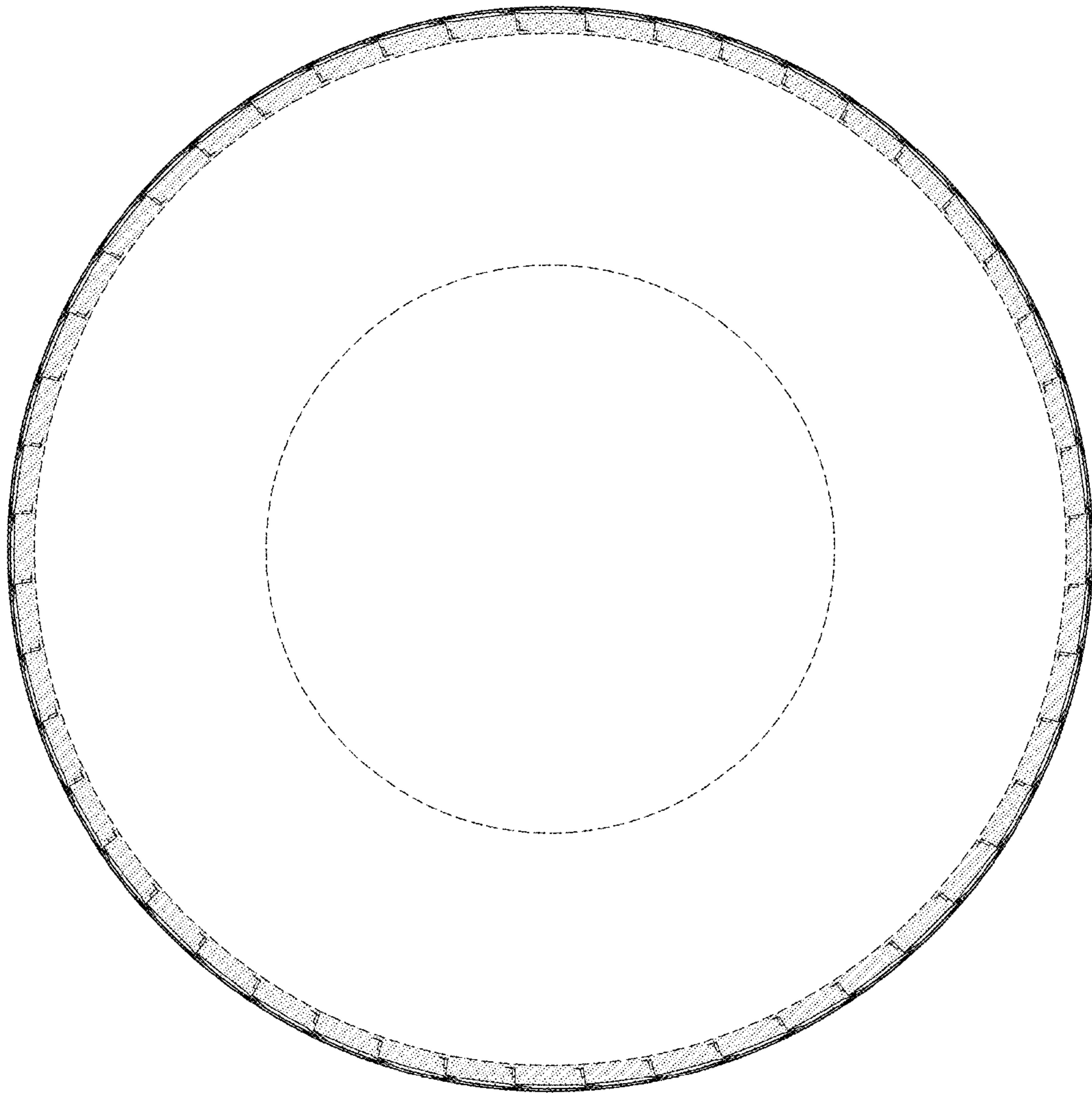


FIG-3

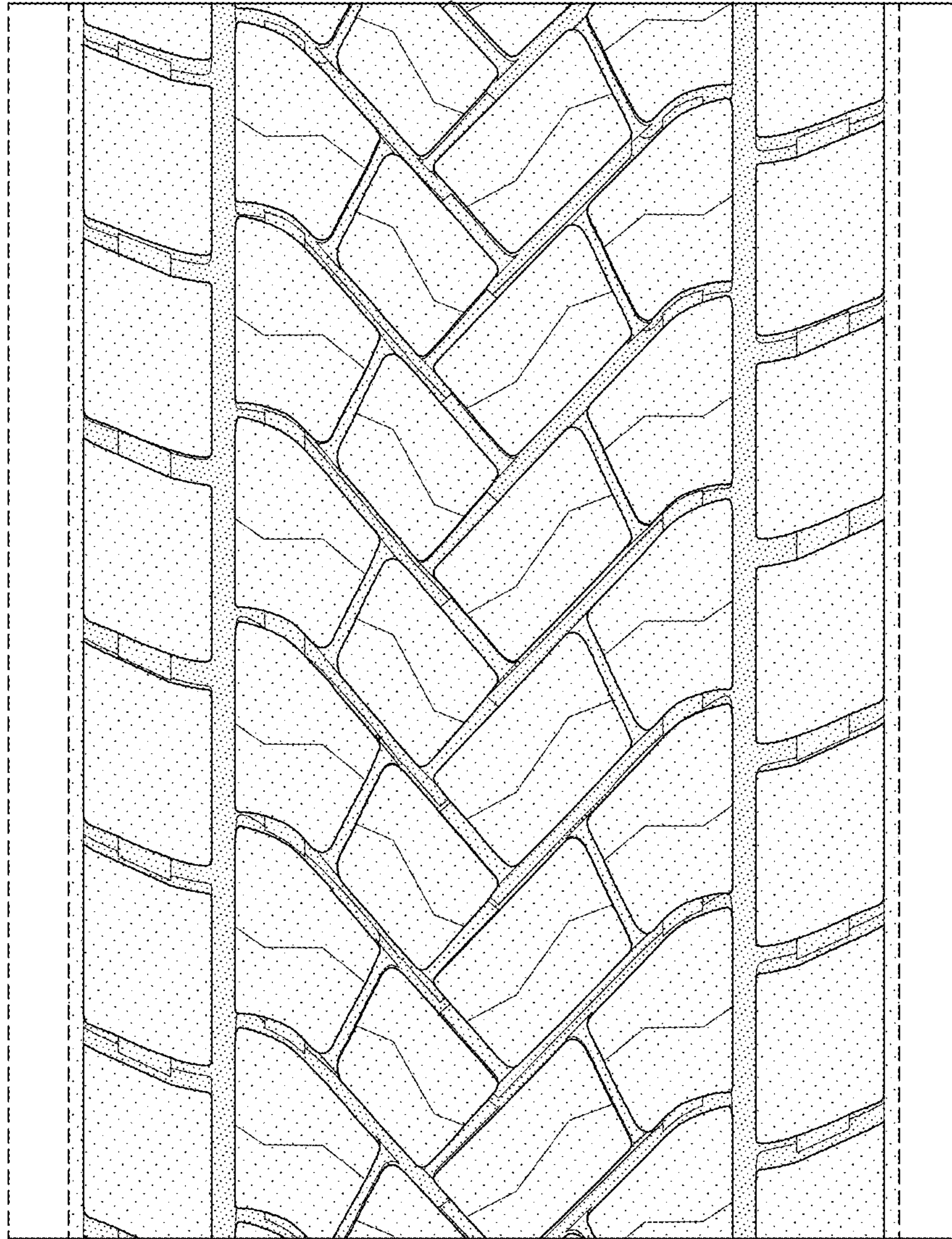


FIG-4

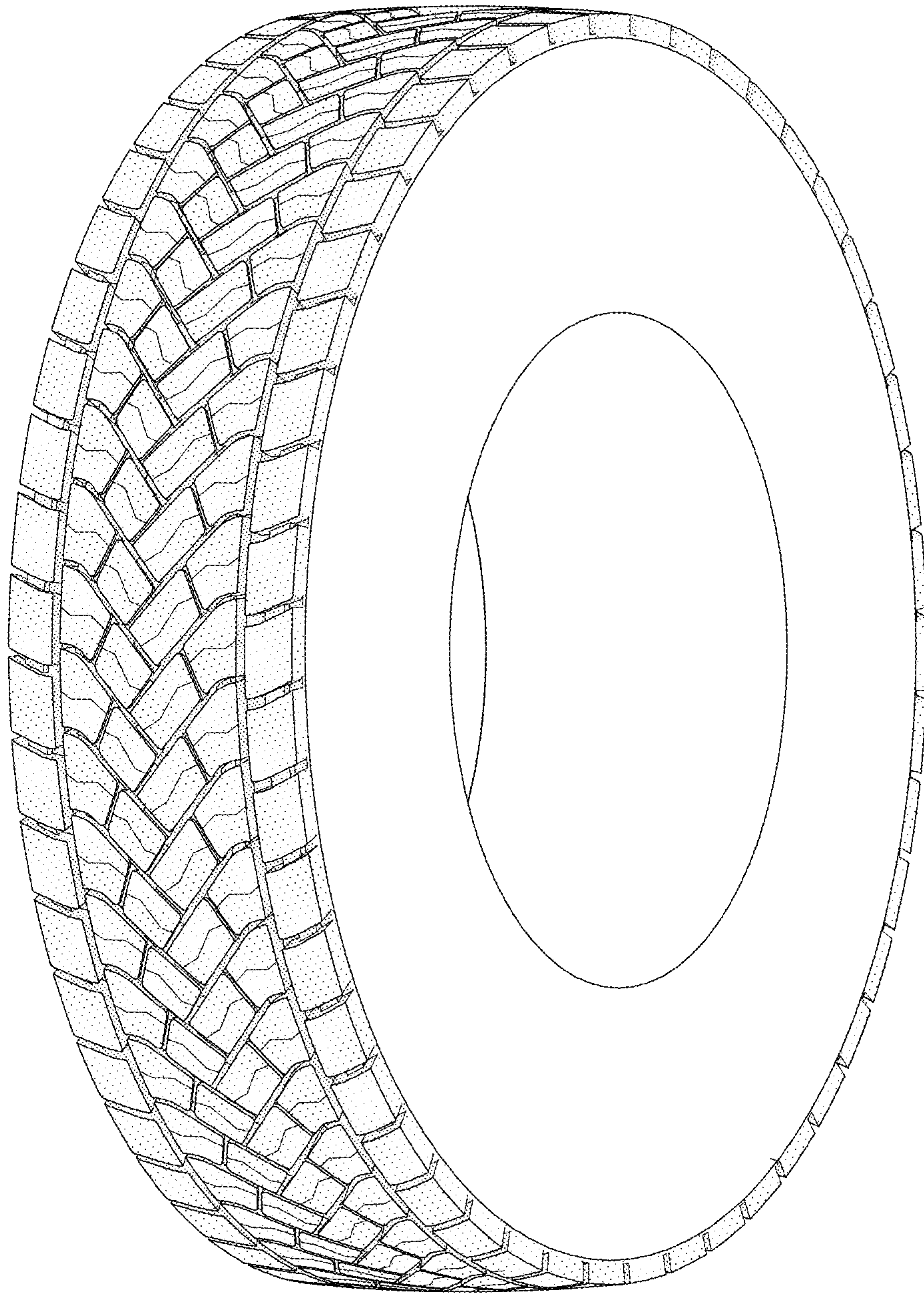


FIG-5

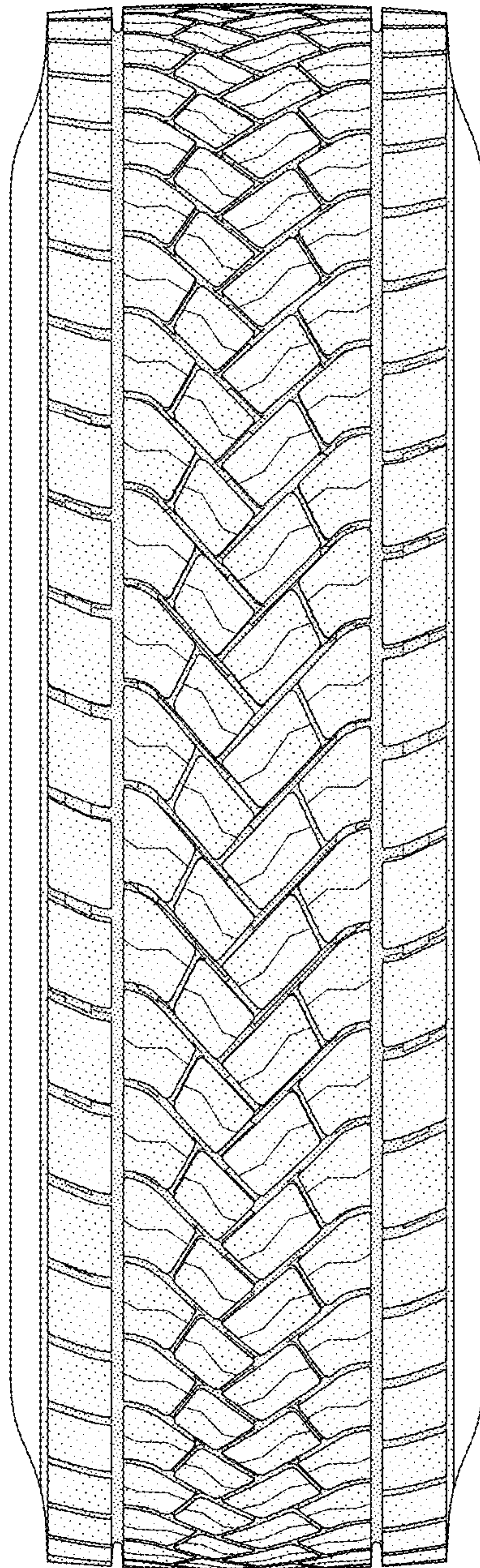


FIG-6