



US00D773972S

(12) **United States Design Patent** (10) **Patent No.:** **US D773,972 S**  
**Cloete et al.** (45) **Date of Patent:** **\*\* Dec. 13, 2016**

(54) **FUEL CAP PROTECTION DEVICE**  
(71) Applicant: **North American Truck and Machine Accessories Corporation**, Duluth, GA (US)  
(72) Inventors: **Samuel L. Cloete**, Duluth, GA (US); **Matt Kobe**, Lilburn, GA (US)  
(73) Assignee: **North American Truck and Machine Accessories Corporation**, Duluth, GA (US)

D594,395 S \* 6/2009 Yoshii ..... D12/197  
D611,885 S \* 3/2010 Dringenberg ..... D12/197  
D617,459 S \* 6/2010 Bogue ..... D12/197  
D649,099 S \* 11/2011 Nakamura ..... D12/197  
D687,755 S \* 8/2013 Griffin ..... D12/197  
D756,280 S \* 5/2016 Davito ..... D12/197

(\*\*) Term: **14 Years**

\* cited by examiner

*Primary Examiner* — Katrina A Betton  
(74) *Attorney, Agent, or Firm* — Dicke, Billig & Czaja, PLLC

(21) Appl. No.: **29/516,767**

(57) **CLAIM**

We claim the ornamental design for a fuel cap protection device, as shown and described.

(22) Filed: **Feb. 5, 2015**

(51) **LOC (10) Cl.** ..... **12-16**

(52) **U.S. Cl.**  
USPC ..... **D12/197**

**DESCRIPTION**

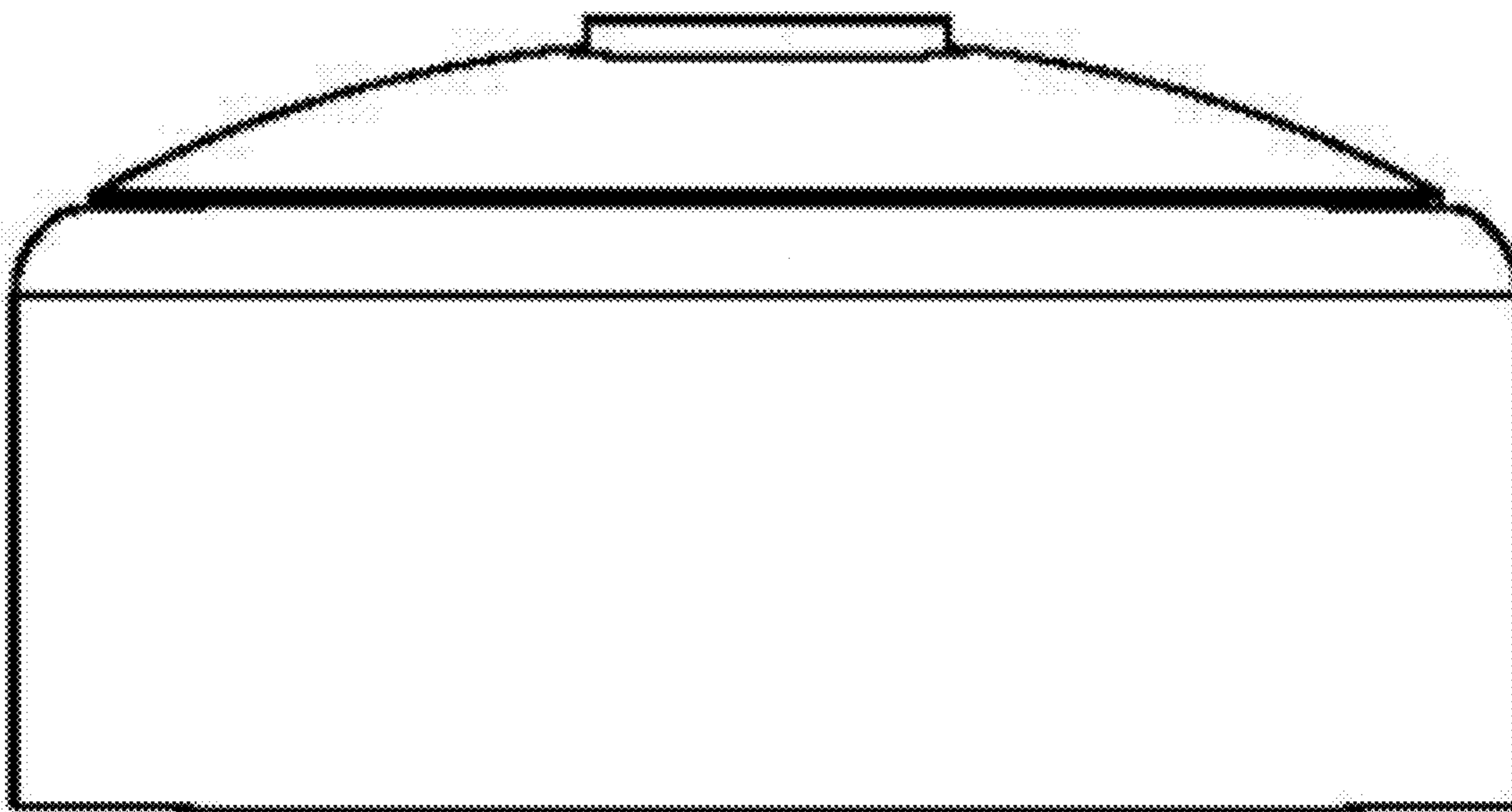
(58) **Field of Classification Search**  
USPC ..... D12/197-201, 110, 114, 218; D7/398; D9/451-454, 435; D15/150; D23/260  
CPC ..... B63B 3/66; B60H 1/34  
See application file for complete search history.

FIG. 1 is a perspective view of a fuel cap protection device showing our new design.  
FIG. 2 is a top view of FIG. 1.  
FIG. 3 is a front view of FIG. 1.  
FIG. 4 is a back view of FIG. 1.  
FIG. 5 is a first side view of FIG. 1; and,  
FIG. 6 is a second side view of FIG. 1.  
The broken lines in the drawings of FIGS. 3, 5 and 6 are included for the purpose of showing portions that form no part of the claimed design.

(56) **References Cited**  
U.S. PATENT DOCUMENTS

D575,216 S \* 8/2008 Shelby ..... D12/197  
D585,348 S \* 1/2009 Yan ..... D12/197

**1 Claim, 1 Drawing Sheet**



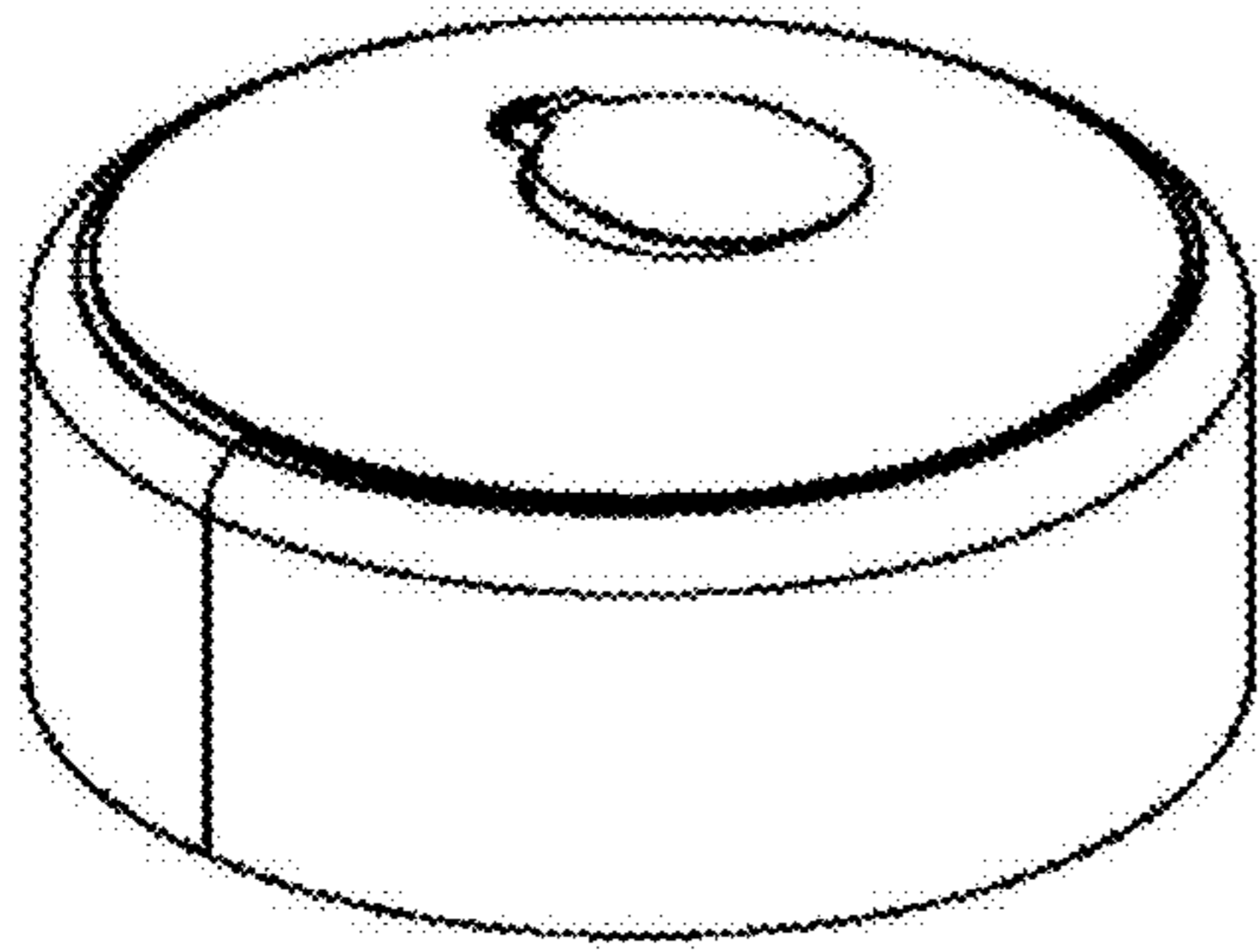


Fig. 1

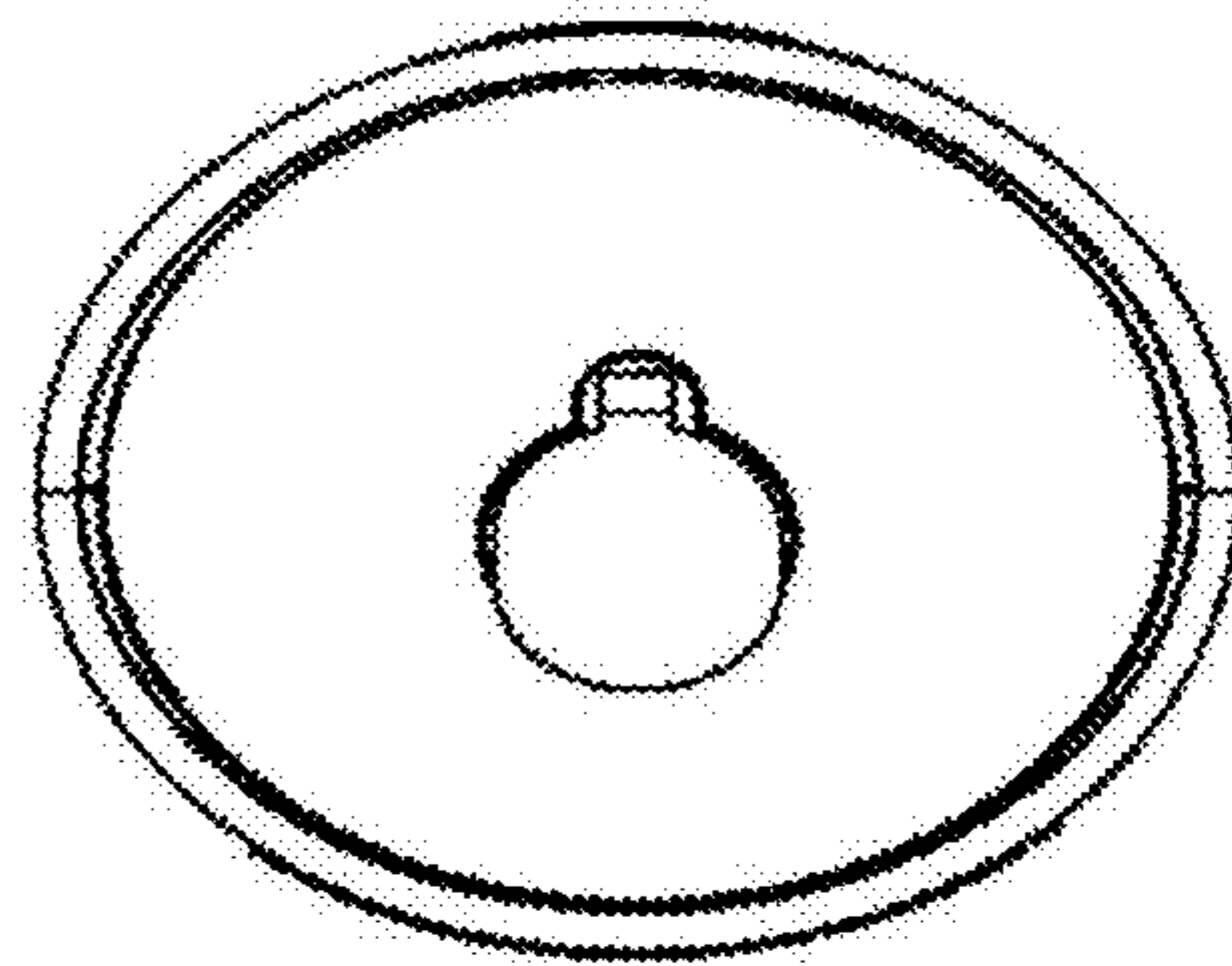


Fig. 2

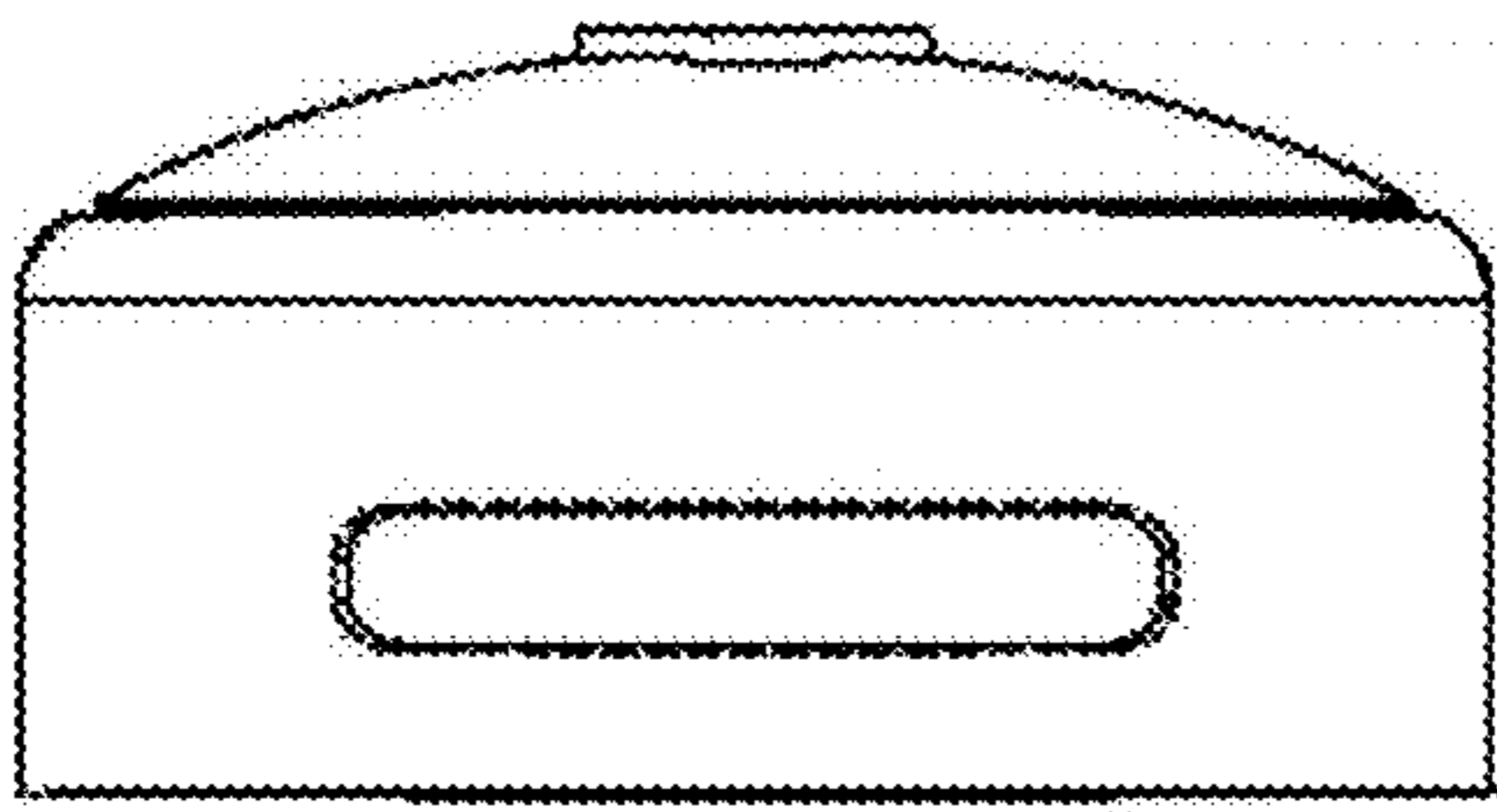


Fig. 3

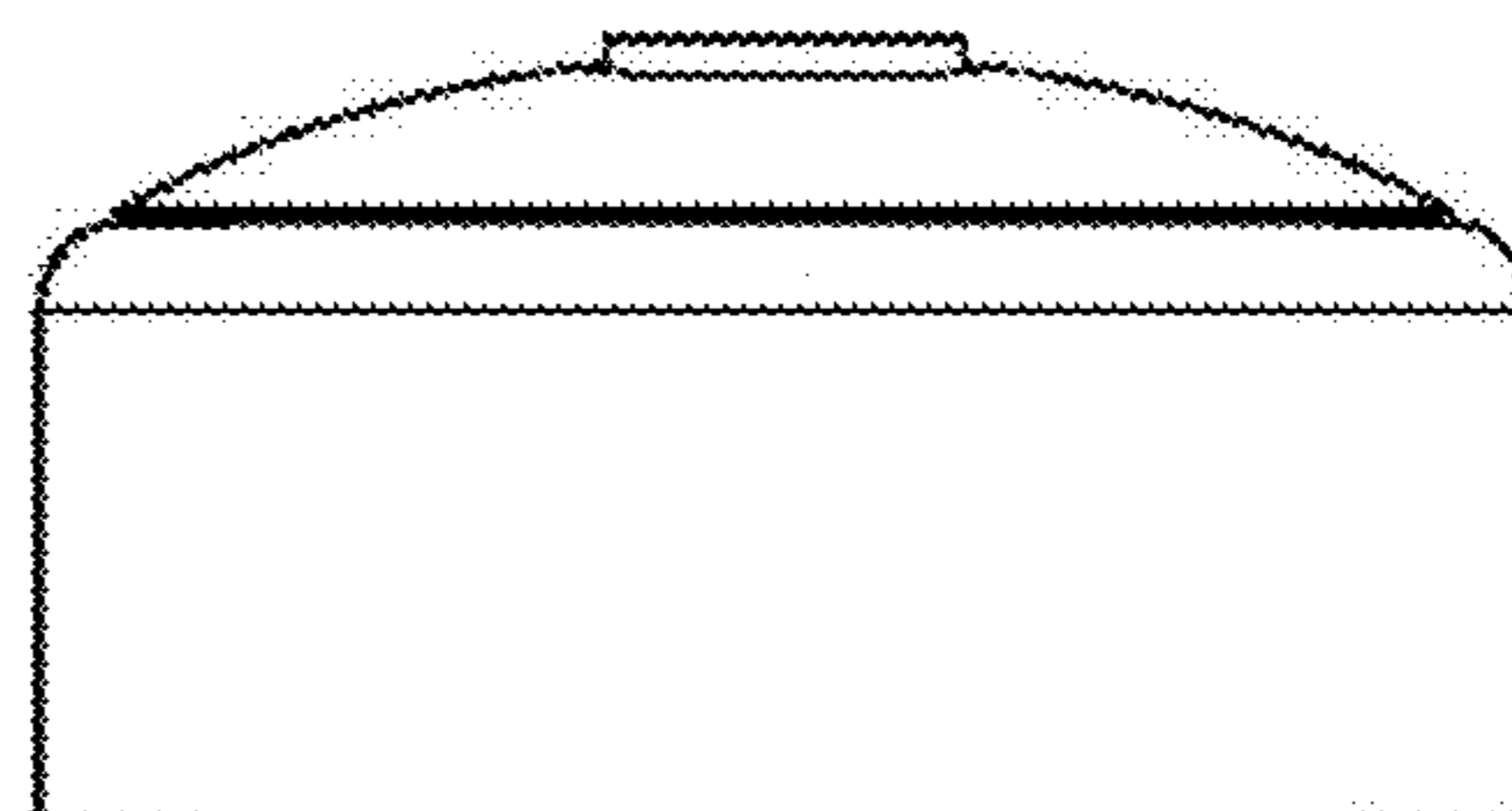


Fig. 4

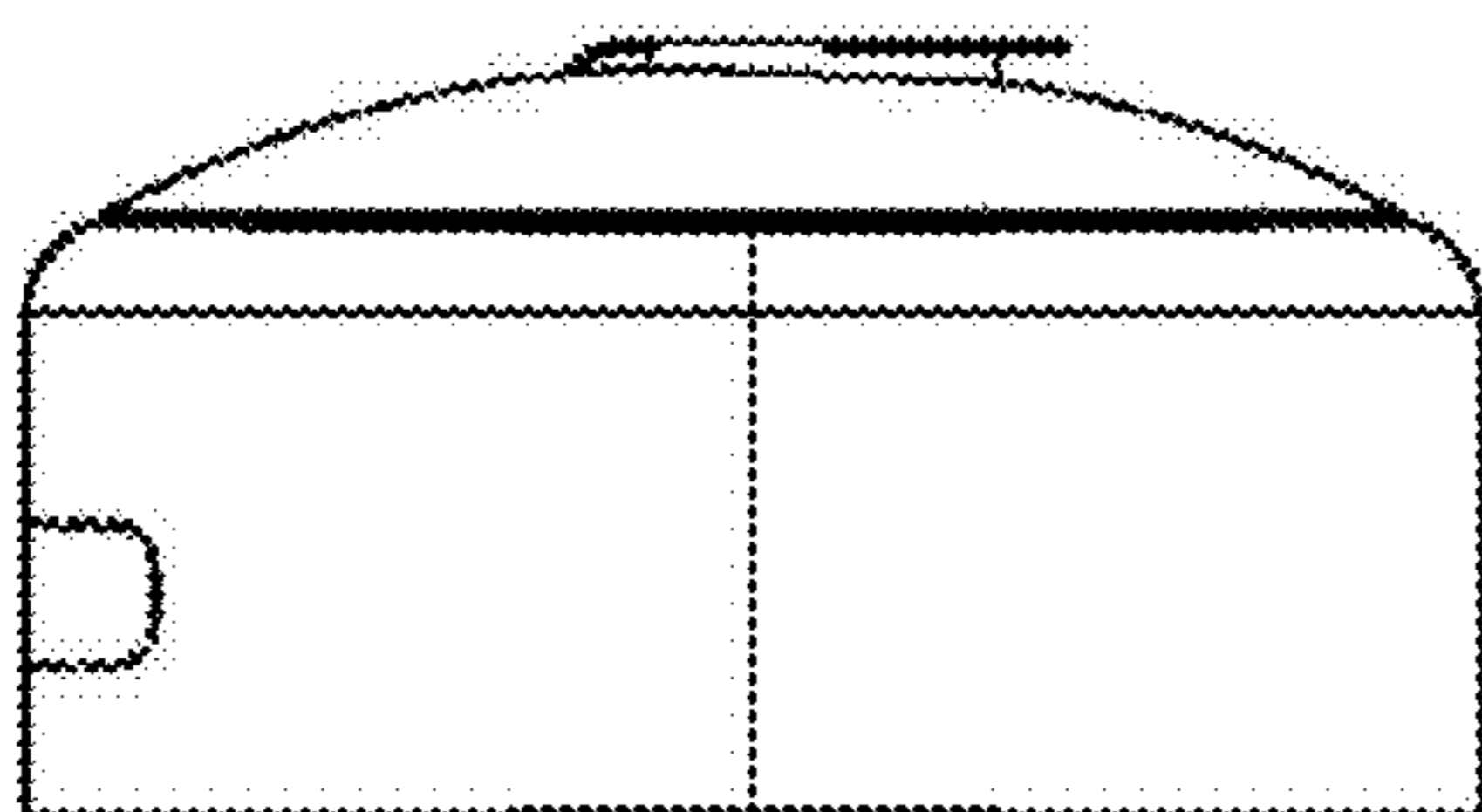


Fig. 5

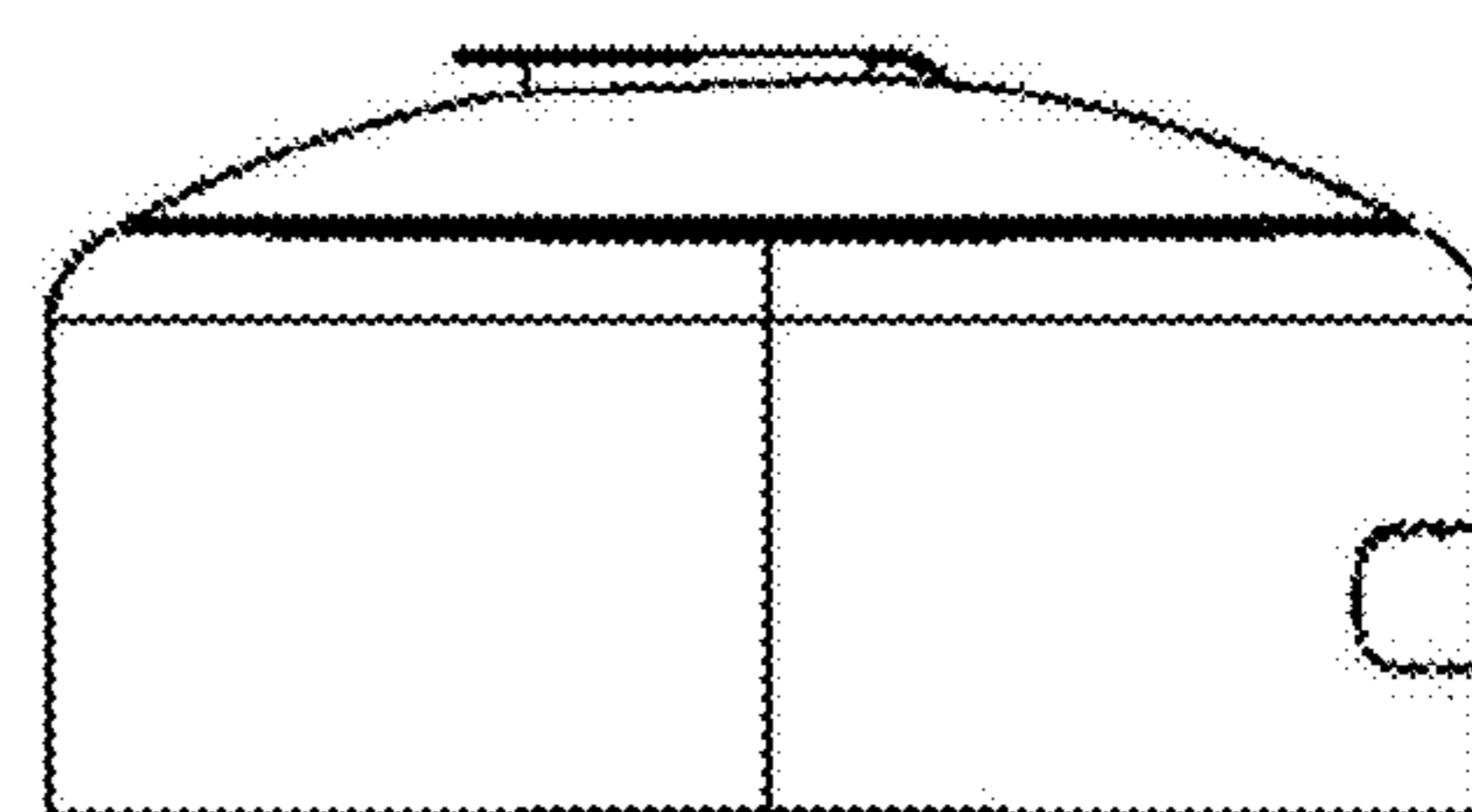


Fig. 6