



US00D773968S

(12) **United States Design Patent** (10) **Patent No.:** **US D773,968 S**
Blachere et al. (45) **Date of Patent:** **** Dec. 13, 2016**

(54) **STEERING WHEEL**

(56) **References Cited**

(71) Applicant: **ACTIA AUTOMOTIVE**, Toulouse (FR)

U.S. PATENT DOCUMENTS

(72) Inventors: **Sébastien Blachere**, Pompertuzat (FR);
Philippe Boutonnet, Mons (FR)

D635,900 S *	4/2011	Anzi	D12/176
D640,619 S *	6/2011	Araki	D12/176
D651,542 S *	1/2012	Nagasawa	D12/176
D651,543 S *	1/2012	Ali	D12/176
D653,180 S *	1/2012	Tanaka	D12/176
D692,813 S *	11/2013	Koyama	D12/175
D706,186 S *	6/2014	Fukaya	D12/176
D706,187 S *	6/2014	Tilscher	D12/176
D741,759 S *	10/2015	Persson	D12/176

(73) Assignee: **ACTIA AUTOMOTIVE**, Toulouse (FR)

(**) Term: **14 Years**

* cited by examiner

(21) Appl. No.: **29/521,219**

Primary Examiner — Melody N Brown

(22) Filed: **Mar. 20, 2015**

(74) *Attorney, Agent, or Firm* — Nicholas Trenkle; Stites & Harbison, PLLC.

(30) **Foreign Application Priority Data**

(57) **CLAIM**

Sep. 22, 2014 (EM) 002542464-0001
 Sep. 22, 2014 (EM) 002542464-0002

The ornamental design for a steering wheel, as shown and described.

(51) **LOC (10) Cl.** **12-16**

DESCRIPTION

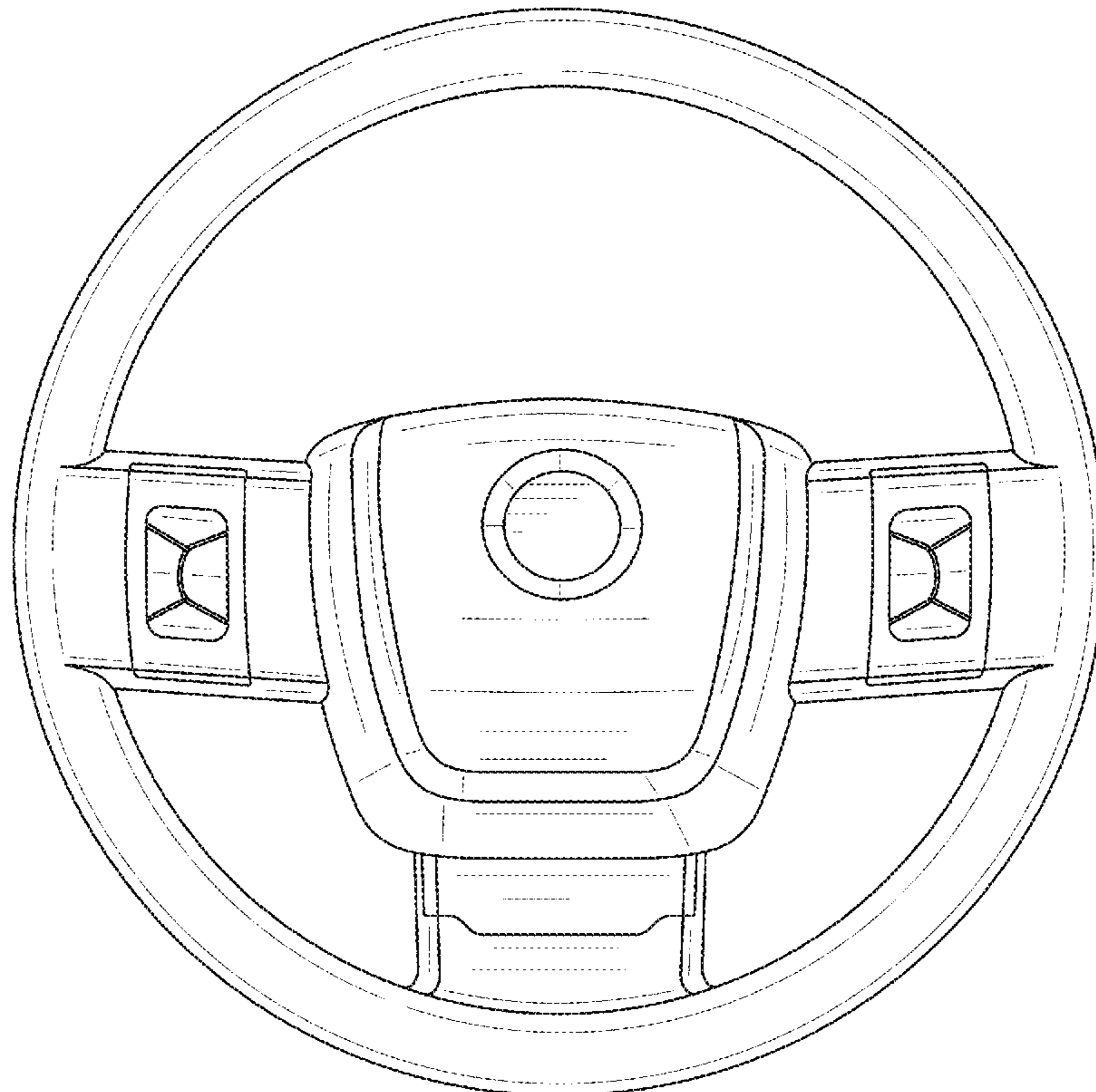
(52) **U.S. Cl.**
USPC **D12/176**

FIG. 1 is a perspective view of a steering wheel showing our new design; and,
FIG. 2 is a front view thereof.

(58) **Field of Classification Search**
 USPC D12/175, 176; 74/552, 558, 558.5
 CPC B60R 21/203; B60R 21/05; B62D 1/04
 See application file for complete search history.

The side and rear surfaces of the design are not shown and do not form no part of the claimed design.

1 Claim, 2 Drawing Sheets



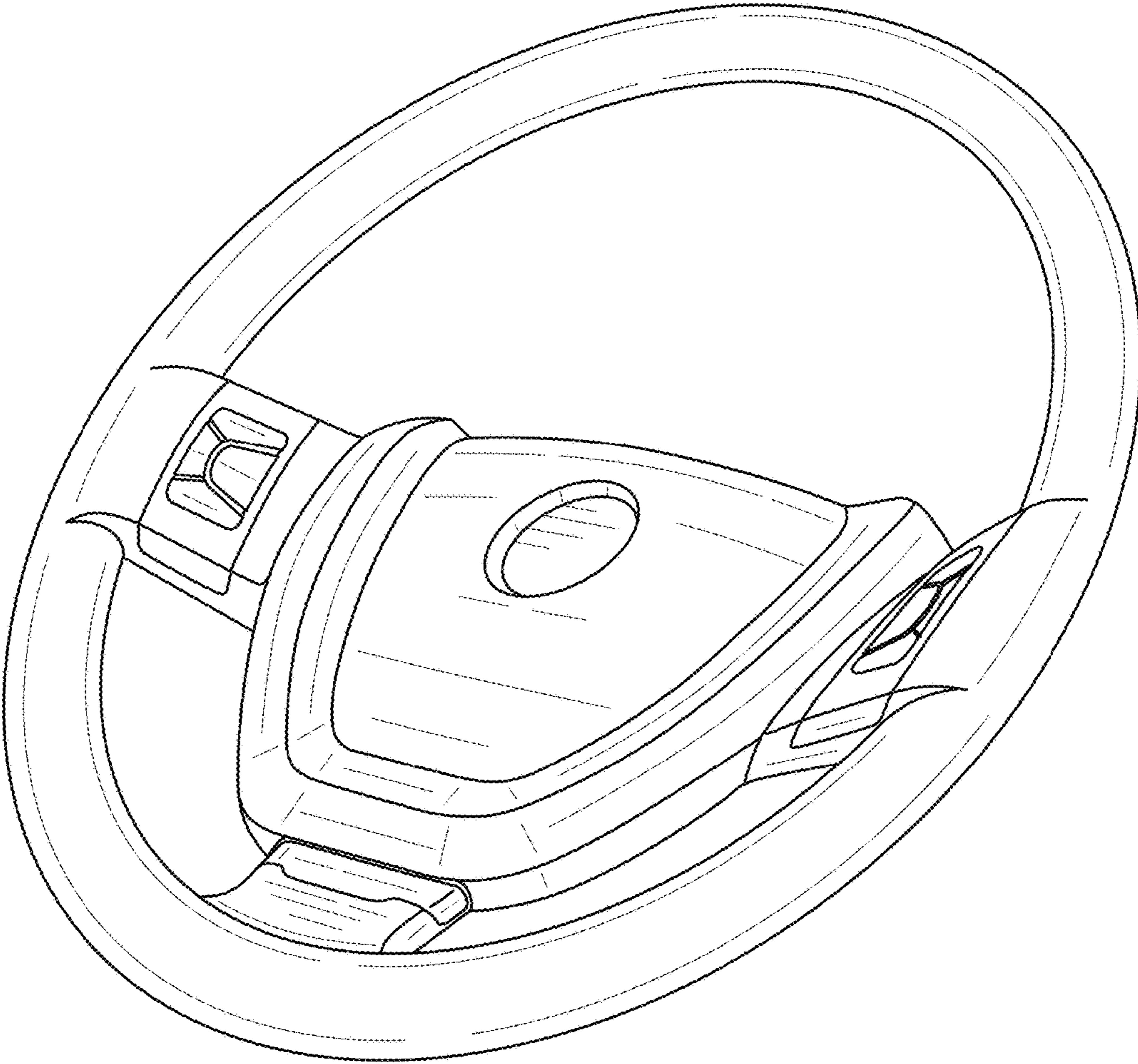


FIG. 1

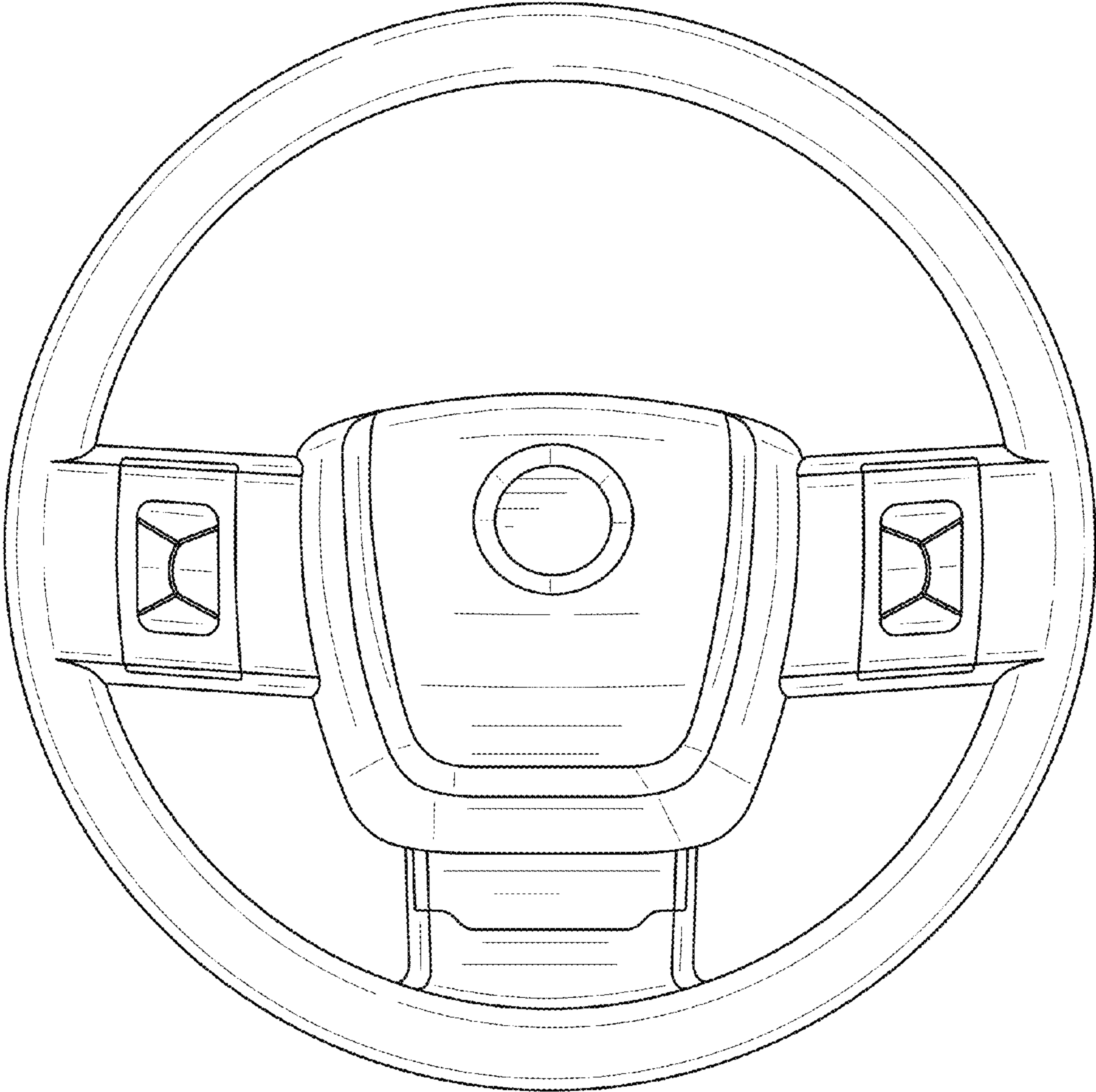


FIG. 2