



US00D773966S

(12) **United States Design Patent** (10) **Patent No.:** **US D773,966 S**  
**Choi et al.** (45) **Date of Patent:** **\*\* Dec. 13, 2016**

(54) **REAR BUMPER FOR AUTOMOBILE**

(71) Applicant: **Nissan Motor Co., Ltd.**, Yokohama, Kanagawa (JP)

(72) Inventors: **Jinwook Choi**, Tokyo (JP); **Genta Oohashi**, Kanagawa (JP); **Takashi Noguchi**, Kanagawa (JP)

(73) Assignee: **Nissan Motor Co., Ltd.**, Yokohama (JP)

(\*\*) Term: **15 Years**

(21) Appl. No.: **29/545,116**

(22) Filed: **Nov. 10, 2015**

(30) **Foreign Application Priority Data**

May 12, 2015 (JP) ..... 2015-010286

(51) **LOC (10) Cl.** ..... **12-08**

(52) **U.S. Cl.**  
USPC ..... **D12/169**

(58) **Field of Classification Search**  
USPC ..... D12/86-92, 163-172; 293/102-155;  
296/35.2, 193.09, 193.1, 203.02  
(Continued)

(56) **References Cited**

**U.S. PATENT DOCUMENTS**

D585,002 S \* 1/2009 Tamura ..... D12/169  
D624,856 S \* 10/2010 Iwauchi ..... D12/169  
(Continued)

**FOREIGN PATENT DOCUMENTS**

JP 1428892 S 12/2011  
JP 1474813 S 7/2013  
(Continued)

**OTHER PUBLICATIONS**

Steward, Megan. "2016 Nissan Sentra First Look Review." Motortrend.com. Nov. 18, 2015. Accessed Aug. 15, 2016. Available online at URL: <<http://www.motortrend.com/cars/nissan/sentra/2016/2016-nissan-sentra-first-look-review/>>.\*

(Continued)

*Primary Examiner* — Cathron Brooks

*Assistant Examiner* — Christian P McLean

(74) *Attorney, Agent, or Firm* — Global IP Counselors, LLP

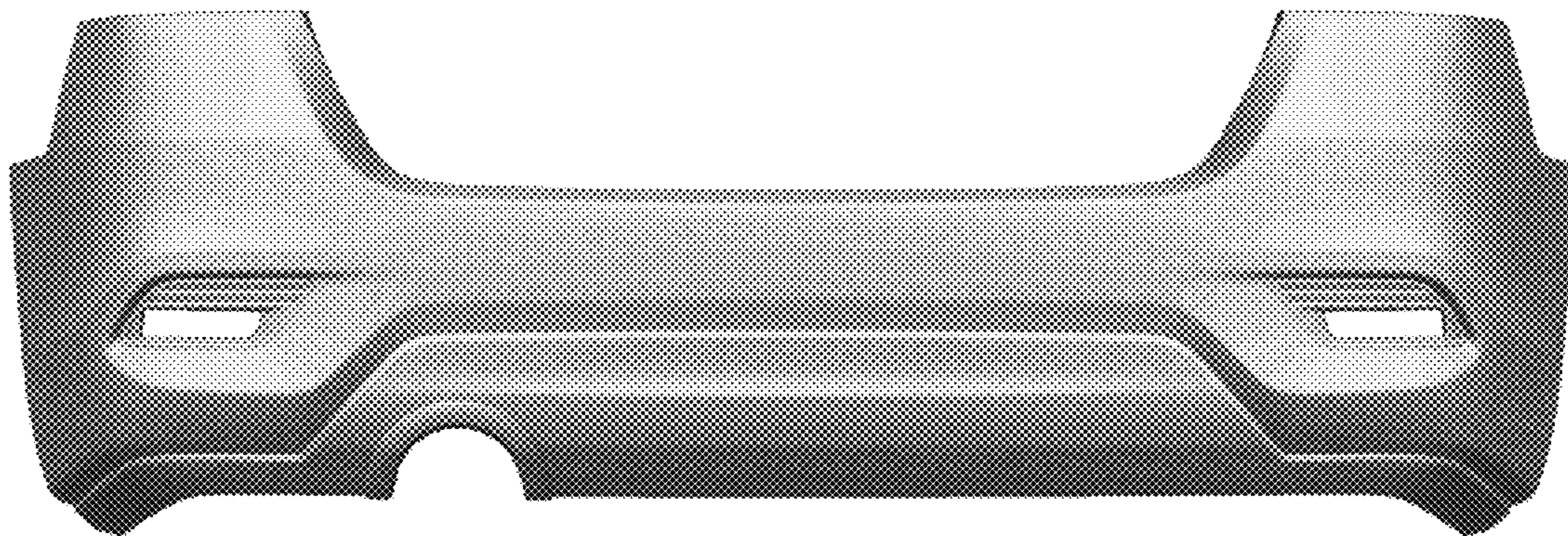
(57) **CLAIM**

The ornamental design for a rear bumper for an automobile, as shown and described.

**DESCRIPTION**

FIG. 1 is a front elevational view of a rear bumper for an automobile in accordance with our new design;  
FIG. 2 is a top plan view of the rear bumper in accordance with our new design of FIG. 1;  
FIG. 3 is a bottom plan view of the rear bumper in accordance with our new design of FIGS. 1 to 2;  
FIG. 4 is a right side elevational view of the rear bumper in accordance with our new design of FIGS. 1 to 3;  
FIG. 5 is a left side elevational view of the rear bumper in accordance with our new design of FIGS. 1 to 4;  
FIG. 6 is a front, right and top side perspective view of the rear bumper in accordance with our new design of FIGS. 1 to 5; and,  
FIG. 7 is a front, left and bottom side perspective view of the rear bumper in accordance with our new design of FIGS. 1 to 6.  
The inside surfaces of the rear bumper shown in FIGS. 2, 3, 6 and 7 in broken lines form no part of the claimed design.

**1 Claim, 7 Drawing Sheets**



(58) **Field of Classification Search**

CPC ..... B60R 19/02; B60R 19/023; B60R 19/18;  
 B60R 19/24; B60R 19/44; B60R 19/48;  
 B60R 19/56; B60R 2019/527; B60R  
 2019/1886

See application file for complete search history.

D740,728 S \* 10/2015 Gunnarson ..... D12/169  
 D745,838 S \* 12/2015 Yamamoto ..... D12/169  
 D746,188 S \* 12/2015 Nakagawa ..... D12/169  
 D760,129 S \* 6/2016 Whang ..... D12/169  
 D761,705 S \* 7/2016 Song ..... D12/169

FOREIGN PATENT DOCUMENTS

(56) **References Cited**

U.S. PATENT DOCUMENTS

D635,068 S \* 3/2011 Neuchi ..... D12/169  
 D637,535 S \* 5/2011 Yukawa ..... D12/169  
 D664,484 S \* 7/2012 Kawaguchi ..... D12/169  
 D675,140 S \* 1/2013 Ohkoshi ..... D12/169  
 D683,282 S 5/2013 Fuchigami  
 D683,283 S \* 5/2013 Choi ..... D12/169  
 D683,285 S 5/2013 Yoshida et al.  
 D688,989 S \* 9/2013 Minamisawa ..... D12/169  
 D692,808 S \* 11/2013 Morioka ..... D12/169  
 D698,712 S 2/2014 Sato et al.  
 D699,167 S \* 2/2014 Sato ..... D12/169  
 D703,592 S \* 4/2014 Kwon ..... D12/169  
 D705,140 S \* 5/2014 Kawasaki ..... D12/169  
 D718,678 S \* 12/2014 Ishizuka ..... D12/169  
 D721,625 S \* 1/2015 George ..... D12/169  
 D733,625 S \* 7/2015 Morikawa ..... D12/169  
 D740,727 S \* 10/2015 Nakamura ..... D12/169

JP 1479634 S 9/2013  
 JP 1486325 S 12/2013  
 JP 1498811 S 6/2014  
 JP 1513119 S 12/2014  
 JP 1513541 S 12/2014  
 JP 1489460 S 2/2015  
 JP 1530848 S 8/2015

OTHER PUBLICATIONS

Gall, Jared. "2013 Nissan Sentra SL 1.8." caranddriver.com. Oct. 2012. Accessed Aug. 15, 2016. Available online at URL: <<http://www.caranddriver.com/reviews/2013-nissan-sentra-sl-18-test-re-view>>.\*  
 "Rear view of 2013 Nissan Sentra SR." en.wikipedia.org. Created Mar. 17, 2014. Accessed Aug. 15, 2016. Available online at URL: <[https://en.wikipedia.org/wiki/Nissan\\_Sentra#/media/File:2013\\_Nissan\\_Sentra\\_SR\\_rear\\_left.jpg](https://en.wikipedia.org/wiki/Nissan_Sentra#/media/File:2013_Nissan_Sentra_SR_rear_left.jpg)>.\*

\* cited by examiner

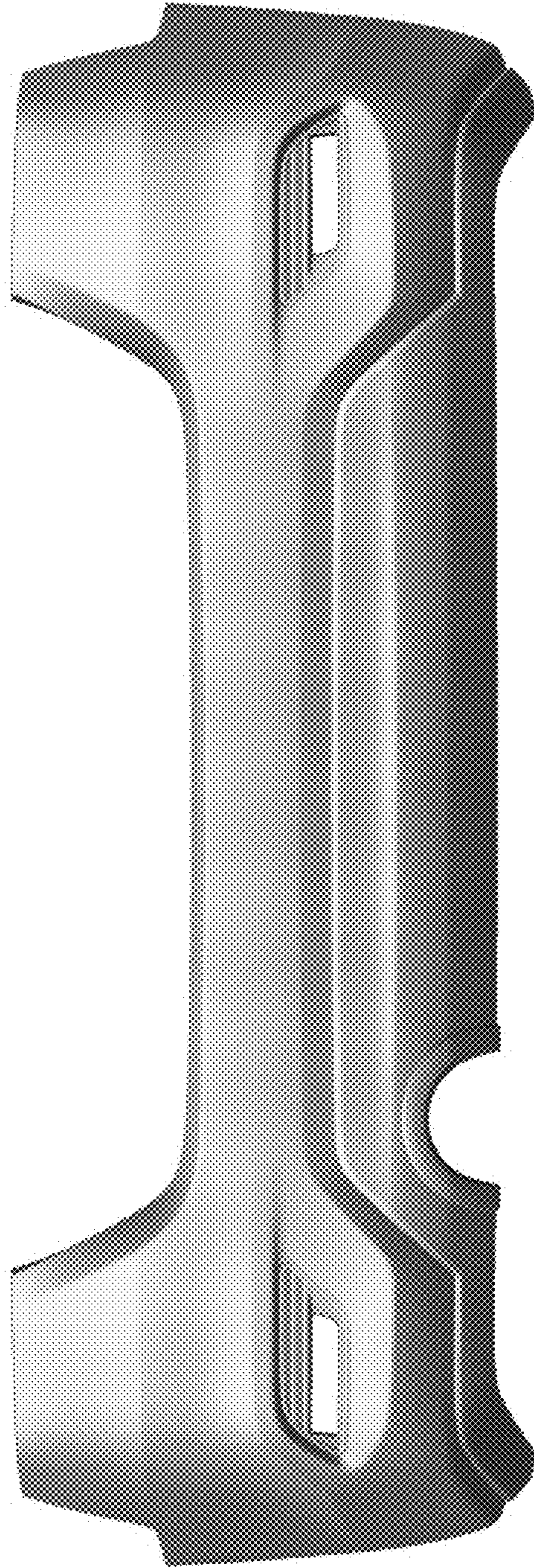


FIG. 1

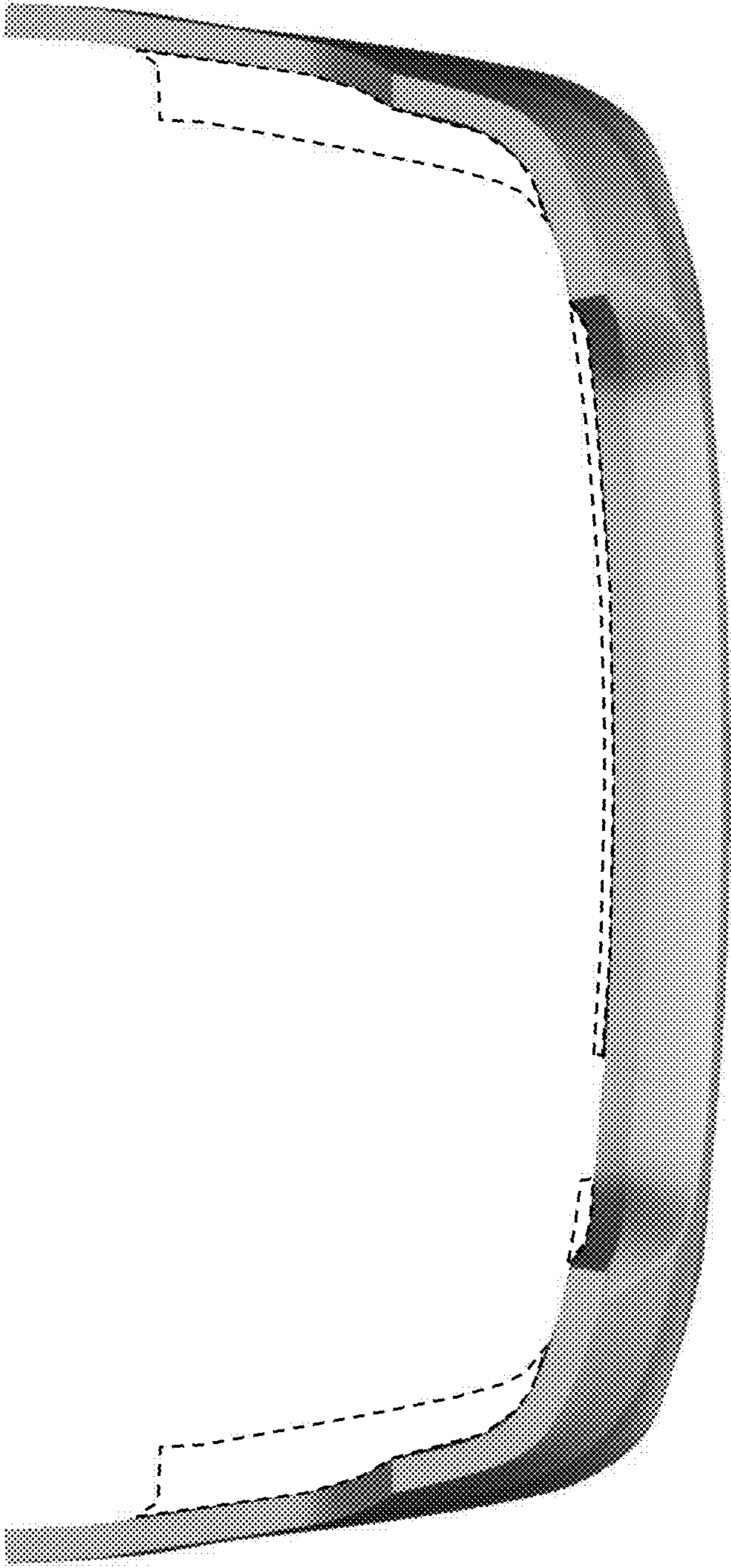


FIG. 2

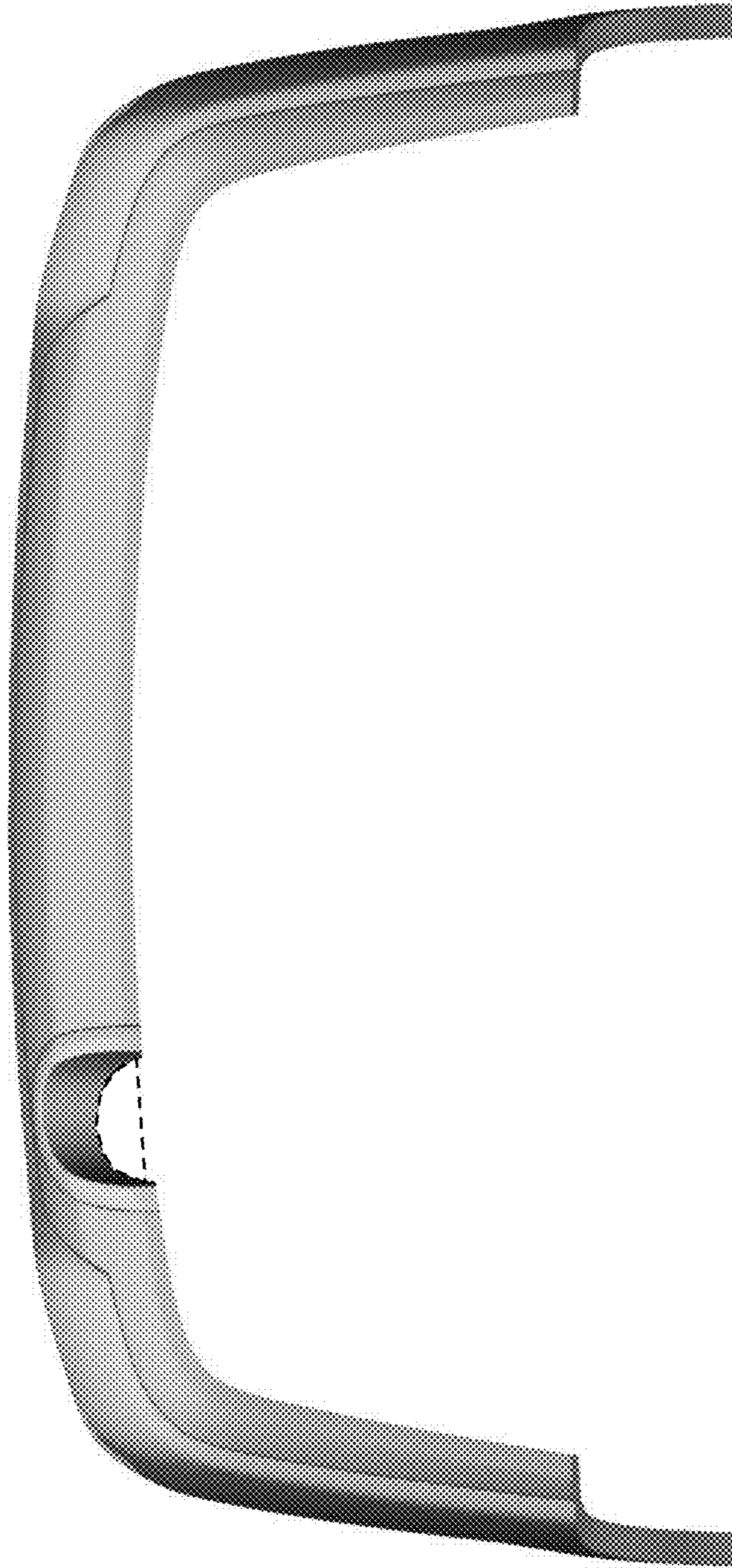


FIG. 3

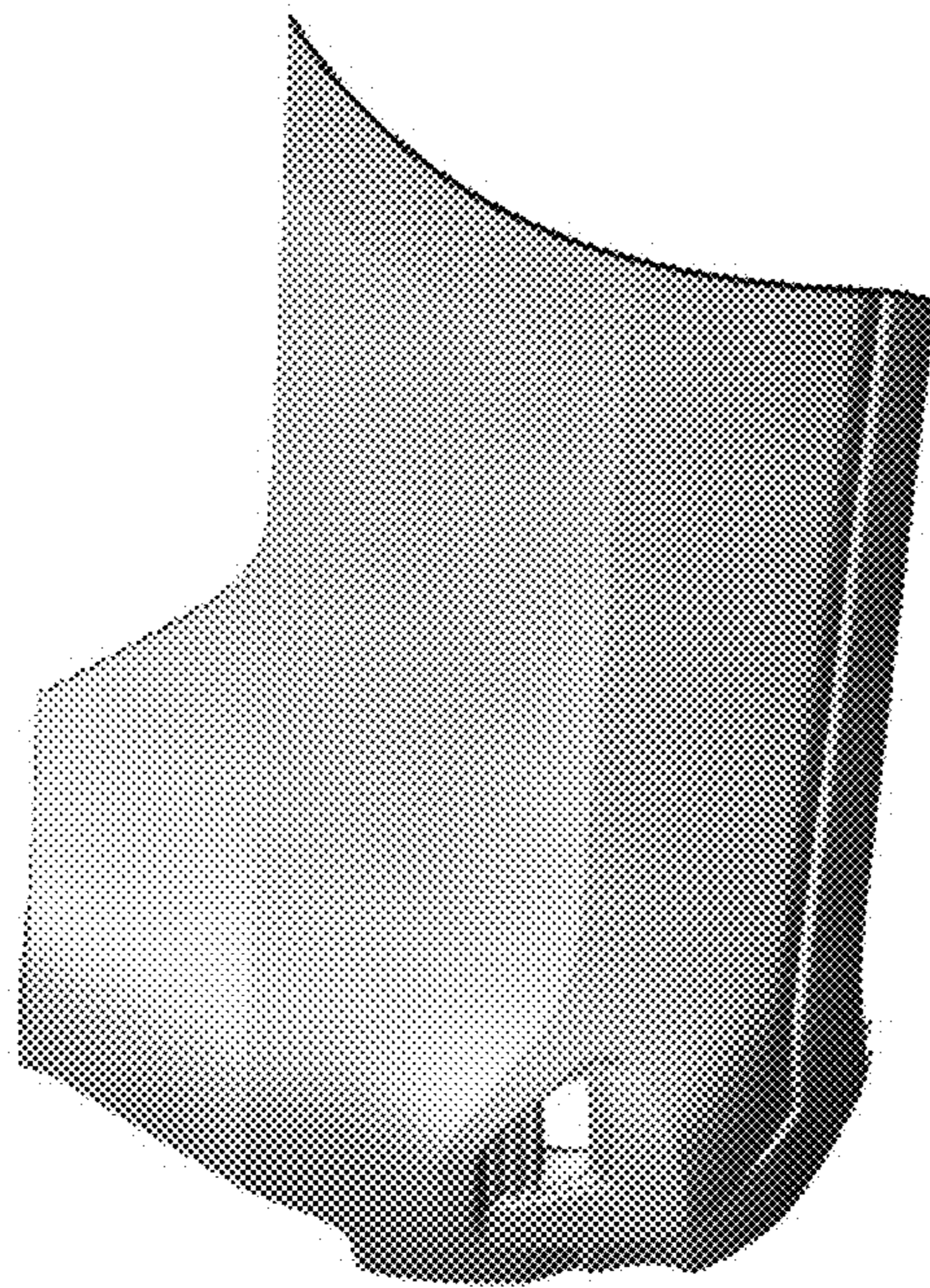


FIG. 4

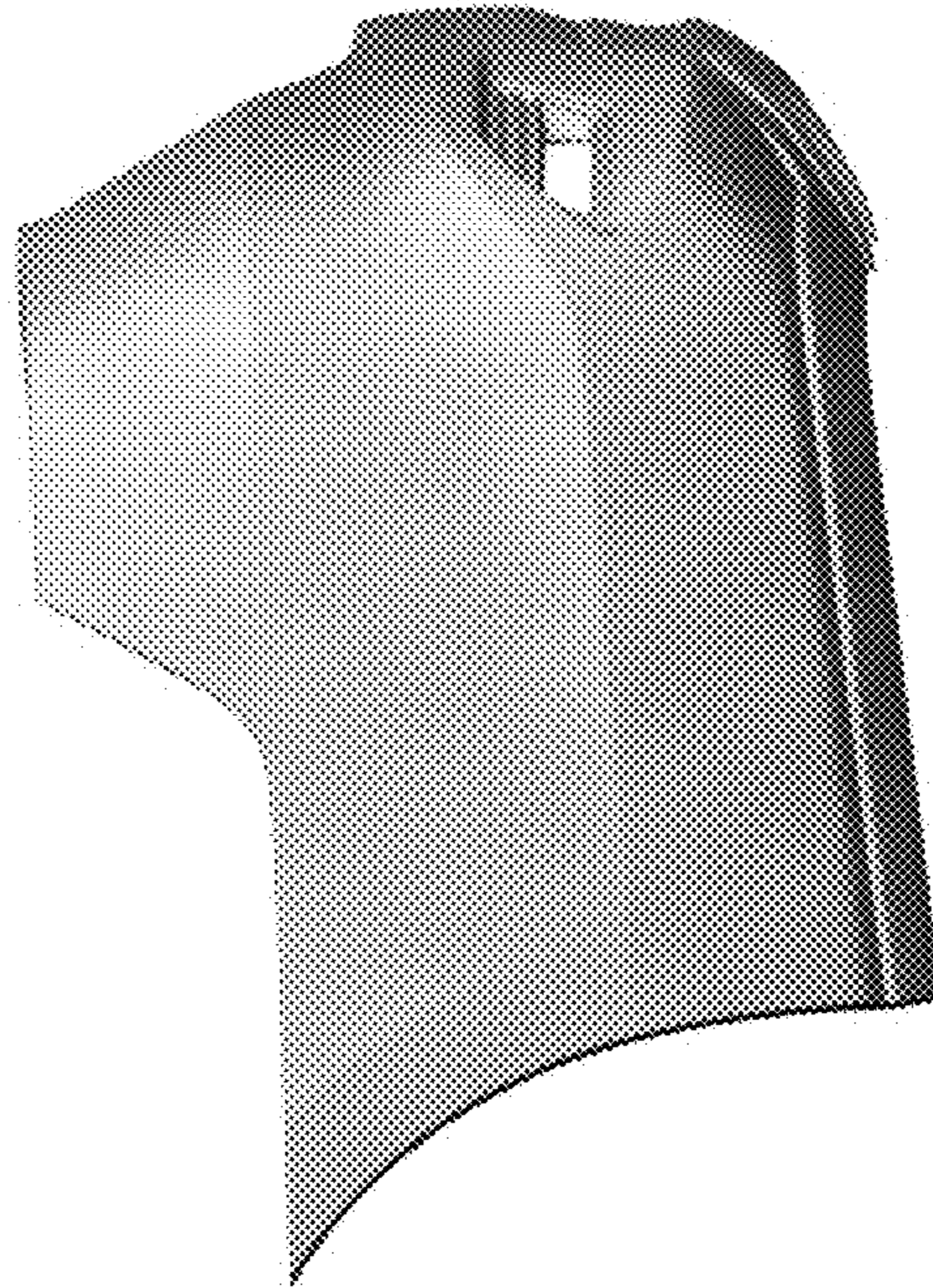


FIG. 5

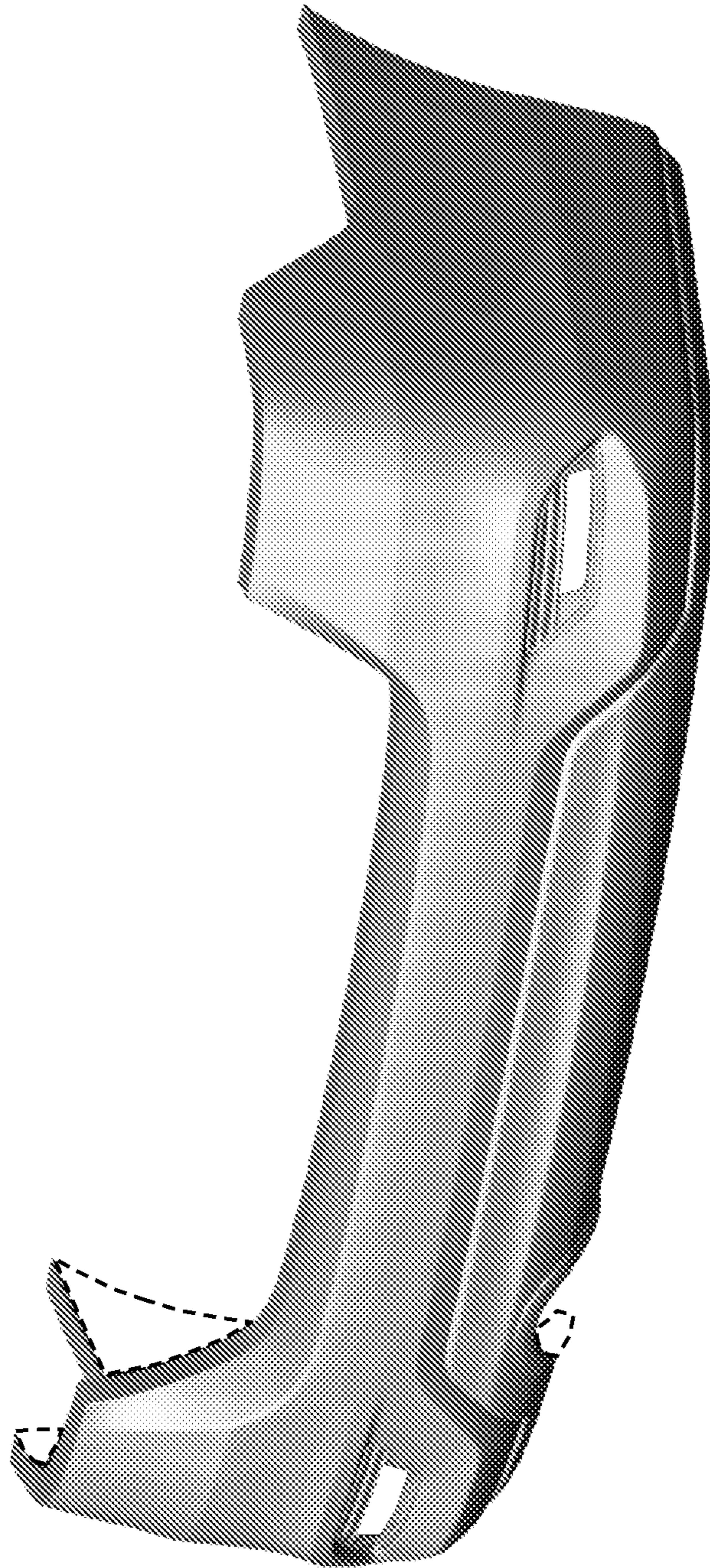


FIG. 6



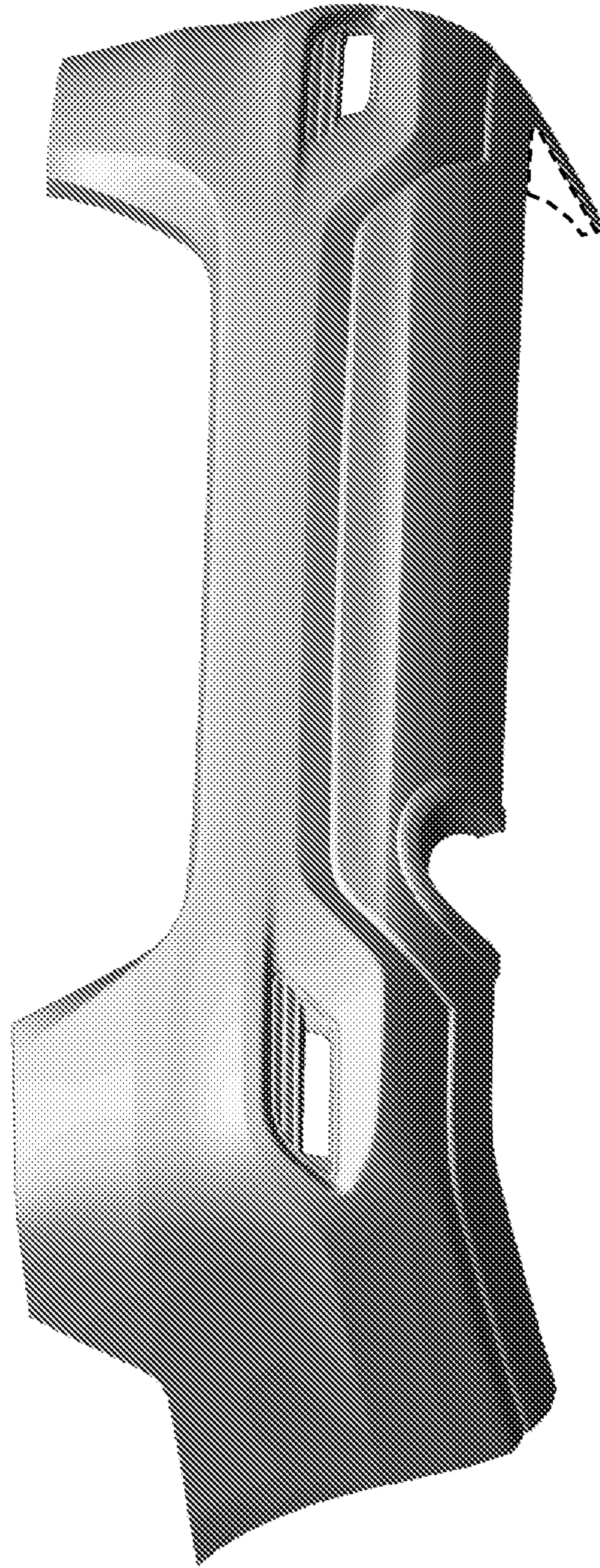


FIG. 7