



US00D773964S

(12) **United States Design Patent**
Lewis et al.

(10) **Patent No.:** **US D773,964 S**
(45) **Date of Patent:** **** Dec. 13, 2016**

(54) **LOWER FRONT BUMPER FOR AN
AUTOMOBILE**

(71) Applicant: **DELPHI TECHNOLOGIES, INC.**,
Troy, MI (US)

(72) Inventors: **Matthew J. Lewis**, Mountain View, CA
(US); **John P. Absmeier**, Capitola, CA
(US); **Michael H. Laur**, Mission Viejo,
CA (US)

(73) Assignee: **Delphi Technologies, Inc.**, Troy, MI
(US)

(**) Term: **15 Years**

(21) Appl. No.: **29/535,850**

(22) Filed: **Aug. 11, 2015**

(51) **LOC (10) Cl.** **12-08**

(52) **U.S. Cl.**
USPC **D12/169**

(58) **Field of Classification Search**
USPC D12/86-92, 163-172; 293/102-155;
296/35.2, 193.09, 193.1, 203.02
CPC B60R 19/02; B60R 19/023; B60R 19/18;
B60R 19/24; B60R 19/44; B60R 19/48;
B60R 19/56; B60R 2019/527; B60R
2019/1886

See application file for complete search history.

(56) **References Cited**

U.S. PATENT DOCUMENTS

D581,318 S * 11/2008 Gabath D12/92
D599,249 S * 9/2009 Blasi D12/92

D635,893 S * 4/2011 Baur D12/92
D635,898 S * 4/2011 Baur D12/164
D661,226 S * 6/2012 Varga D12/92
D664,078 S * 7/2012 Futschik D12/164
D689,416 S * 9/2013 Frei D12/164
D698,281 S * 1/2014 Badstuebner D12/91
D702,597 S * 4/2014 Wada D12/92
D710,256 S * 8/2014 Garand D12/91
D711,779 S * 8/2014 Badstuebner D12/91
D714,696 S * 10/2014 Yamashita D12/169
D737,175 S * 8/2015 Telaak D12/92

* cited by examiner

Primary Examiner — Cathron Brooks

Assistant Examiner — Christian P McLean

(74) *Attorney, Agent, or Firm* — Joshua M. Haines

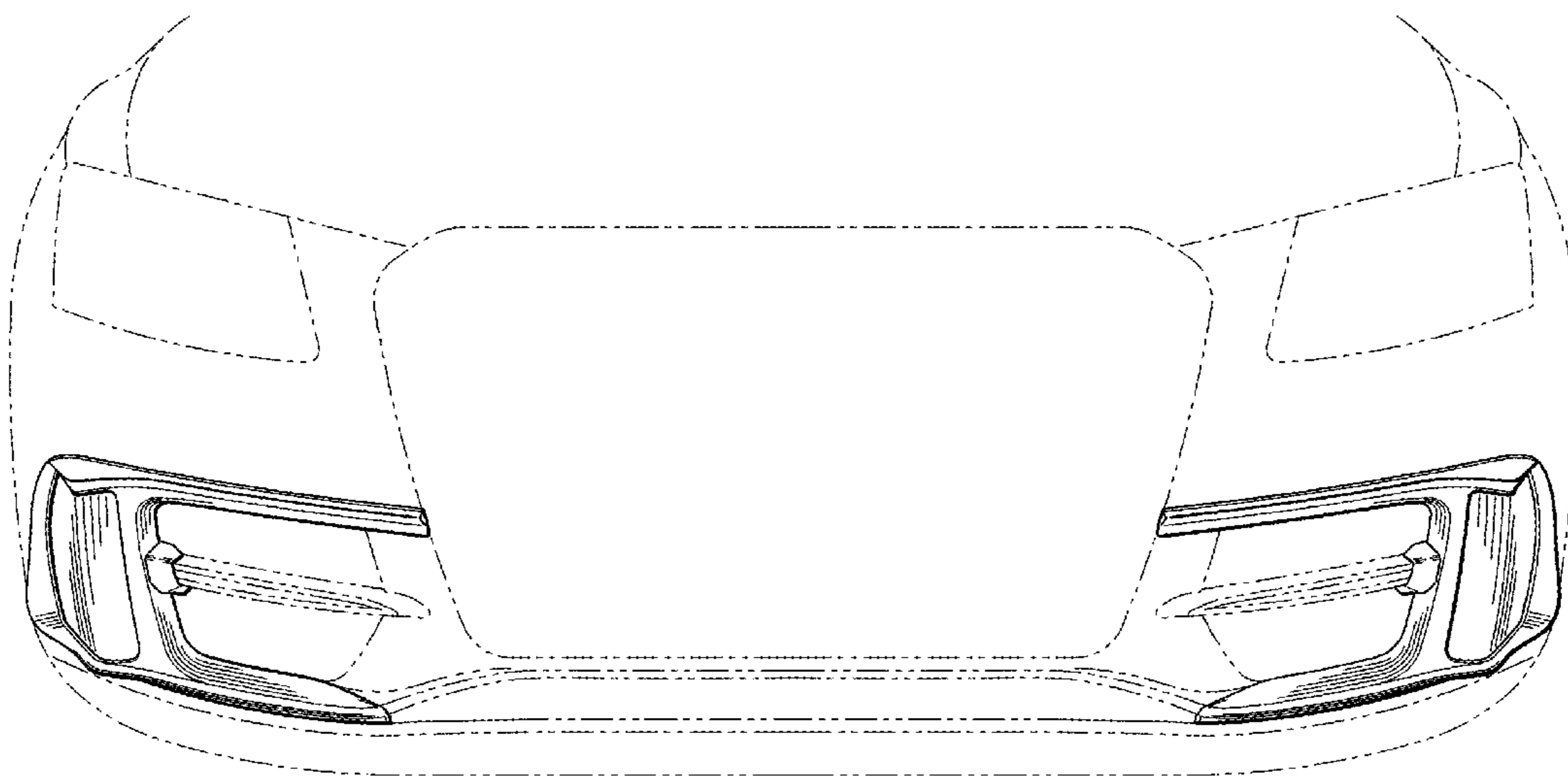
(57) **CLAIM**

We claim an ornamental design for an lower front bumper for an automobile, as shown and described.

DESCRIPTION

FIG. 1 is a top view of the front of a vehicle showing our new design;
FIG. 2 is a front view of the vehicle;
FIG. 3 is a side view of the front of the vehicle from one side;
FIG. 4 is a view of the other side of the front of the vehicle; and,
FIG. 5 is a perspective view of the front of the vehicle.
The elements illustrated in phantom line in FIGS. 1-5 illustrate the environment of the design and form no part of the claimed design.

1 Claim, 4 Drawing Sheets



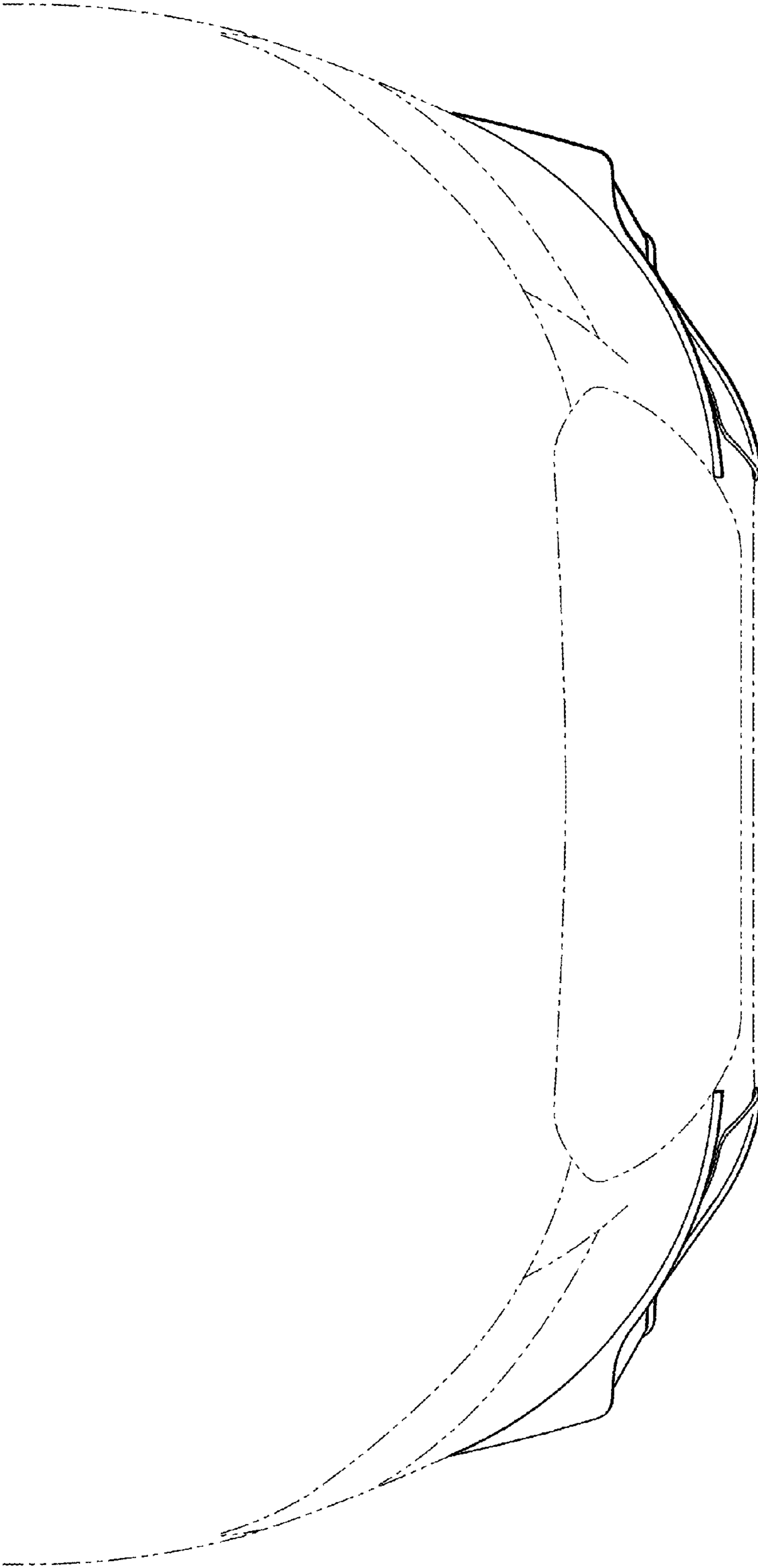


FIG. 1

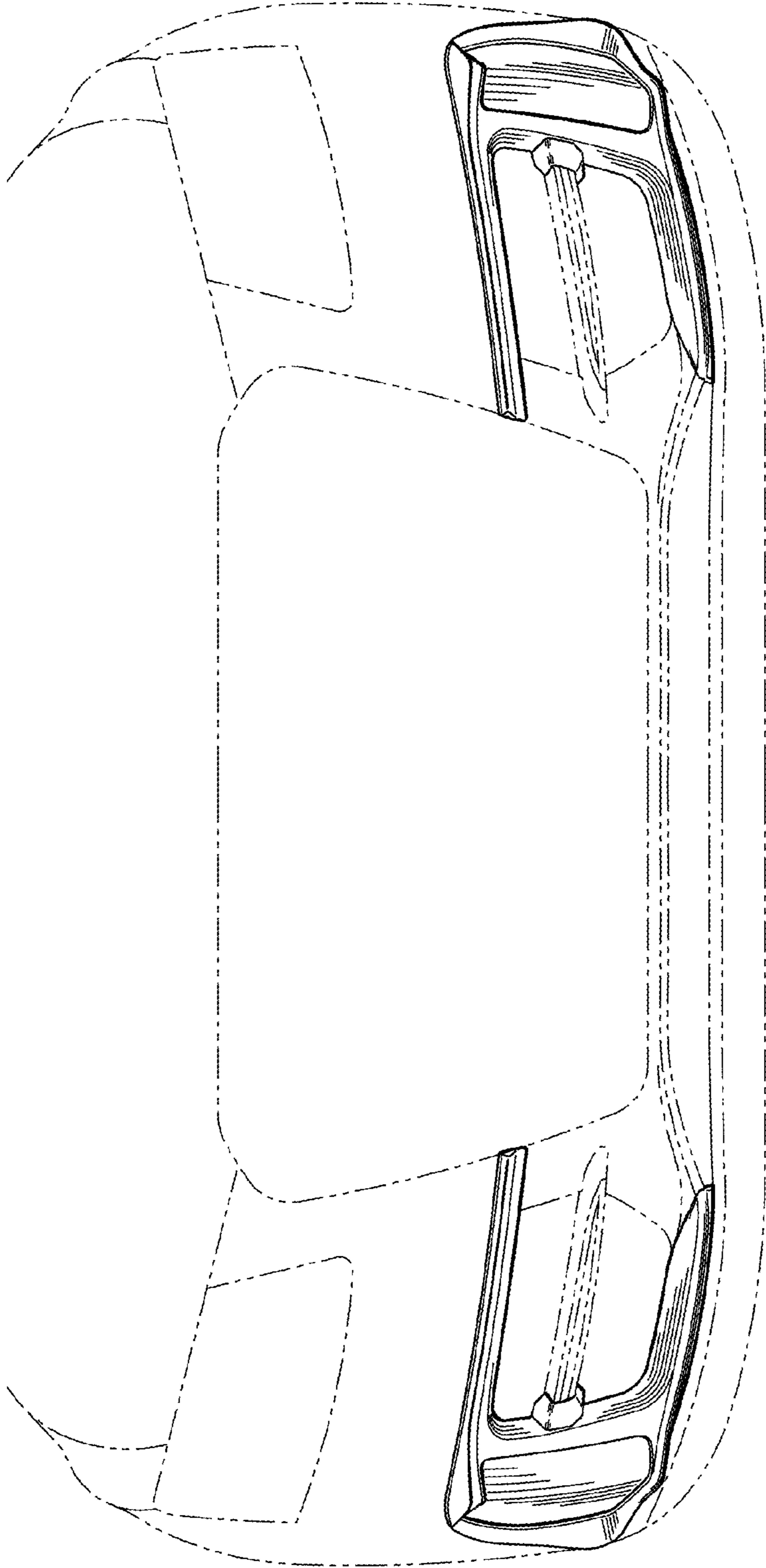


FIG. 2

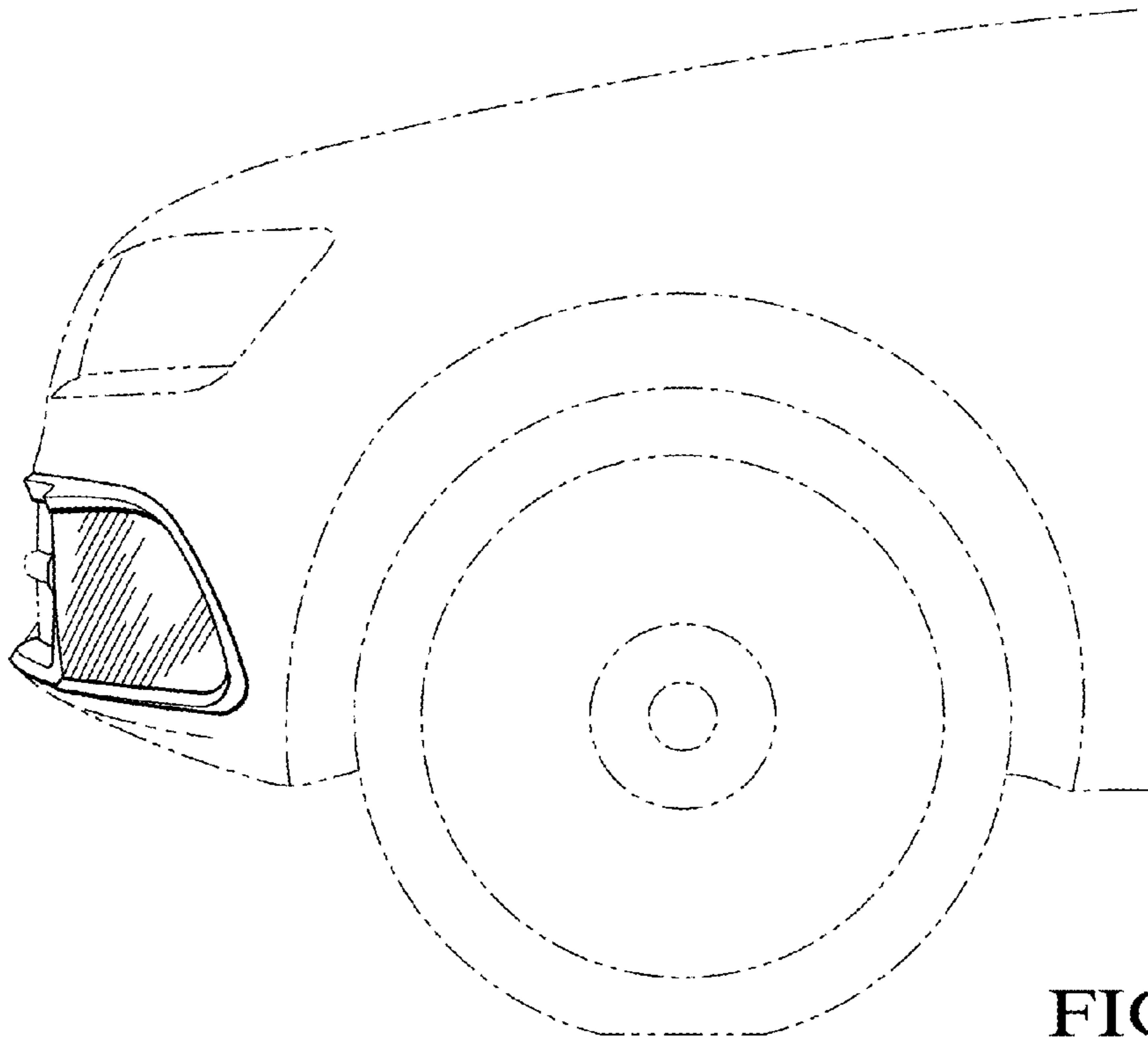


FIG. 3

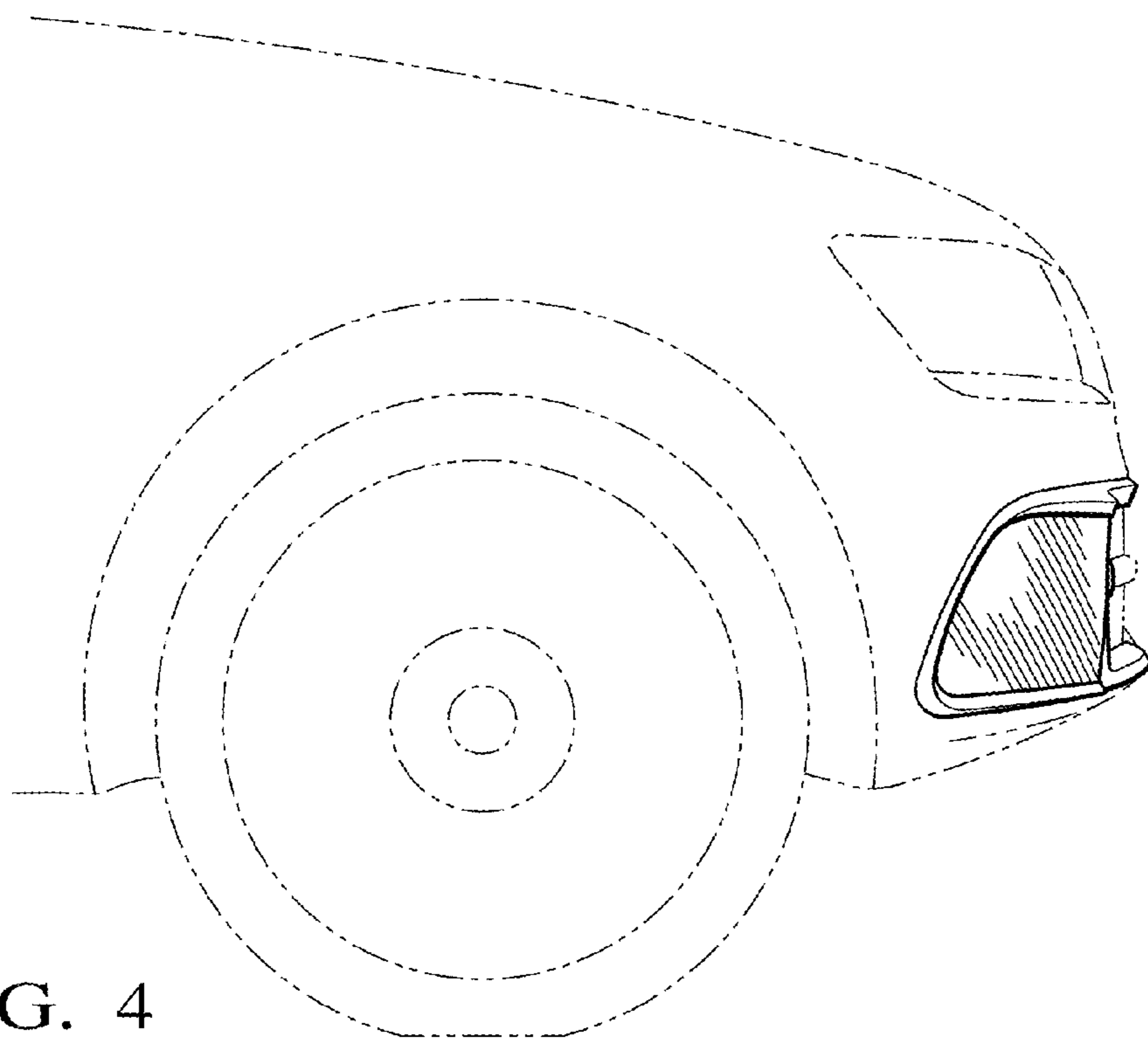


FIG. 4

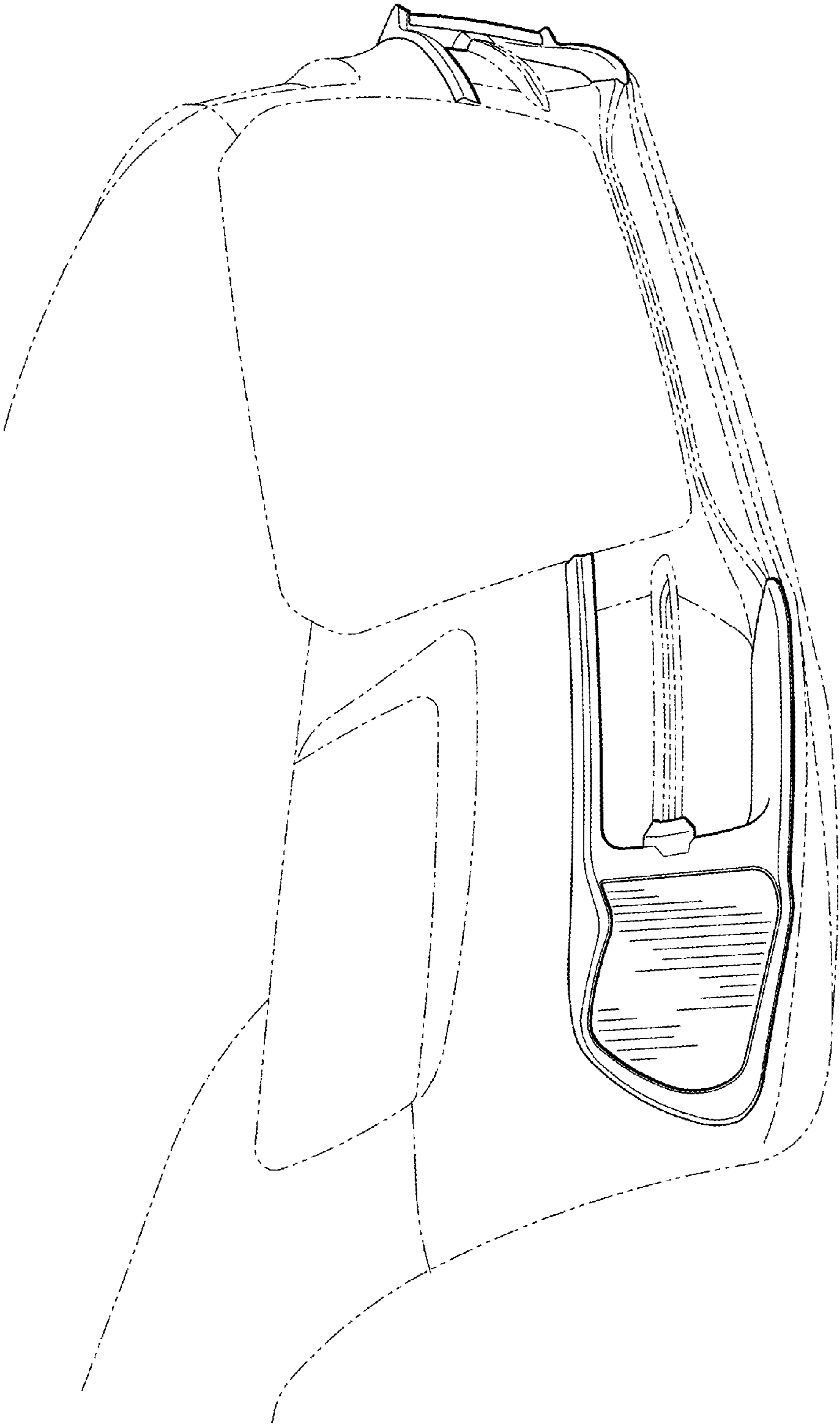


FIG. 5