



US00D773963S

(12) **United States Design Patent** (10) **Patent No.:** **US D773,963 S**
Battams (45) **Date of Patent:** **** Dec. 13, 2016**

(54) **VEHICLE GRILL**

(71) Applicant: **Jaguar Land Rover Limited**, Coventry (GB)

(72) Inventor: **Robert Battams**, Coventry (GB)

(73) Assignee: **Jaguar Land Rover Limited** (GB)

(**) Term: **14 Years**

(21) Appl. No.: **29/512,579**

(22) Filed: **Dec. 19, 2014**

(30) **Foreign Application Priority Data**

Jun. 24, 2014 (EM) 002489187
Jun. 24, 2014 (EM) 002489690

(51) **LOC (10) Cl.** **12-16**

(52) **U.S. Cl.**
USPC **D12/163**

(58) **Field of Classification Search**
USPC D12/163, 196, 86, 90-92, 171, 169, 216;
180/68.1, 68.6; 293/193.11
CPC B62D 25/08; B62B 9/16; B60K 11/08;
B60R 19/52
See application file for complete search history.

(56) **References Cited**

U.S. PATENT DOCUMENTS

D725,556 S *	3/2015	Barnes	D12/163
D734,230 S *	7/2015	Wheel	D12/196
D753,028 S *	4/2016	Frascella	D12/163
D753,029 S *	4/2016	Talsma	D12/163
D753,030 S *	4/2016	Frascella	D12/163

* cited by examiner

Primary Examiner — Melody N. Brown

(74) *Attorney, Agent, or Firm* — Fishman Stewart PLLC

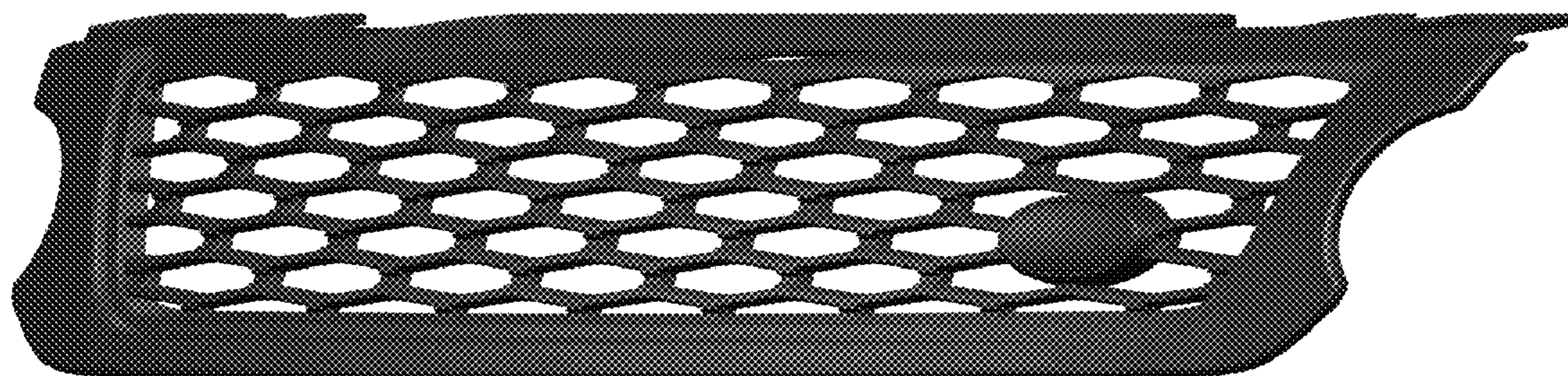
(57) **CLAIM**

The ornamental design for a vehicle grill, as shown and described.

DESCRIPTION

FIG. 1 is a front perspective view of a vehicle grill;
FIG. 2 is a rear perspective view of a vehicle grill;
FIG. 3 is a front view of a vehicle grill;
FIG. 4 is a rear view of a vehicle grill;
FIG. 5 is a left side view of a vehicle grill;
FIG. 6 is a right side view of a vehicle grill;
FIG. 7 is a top view of a vehicle grill; and,
FIG. 8 is another front perspective view of a vehicle grill in the installed position.
Portions of FIG. 8 shown in halftone are for illustrative purposes only and form to part of the claimed design.

1 Claim, 5 Drawing Sheets



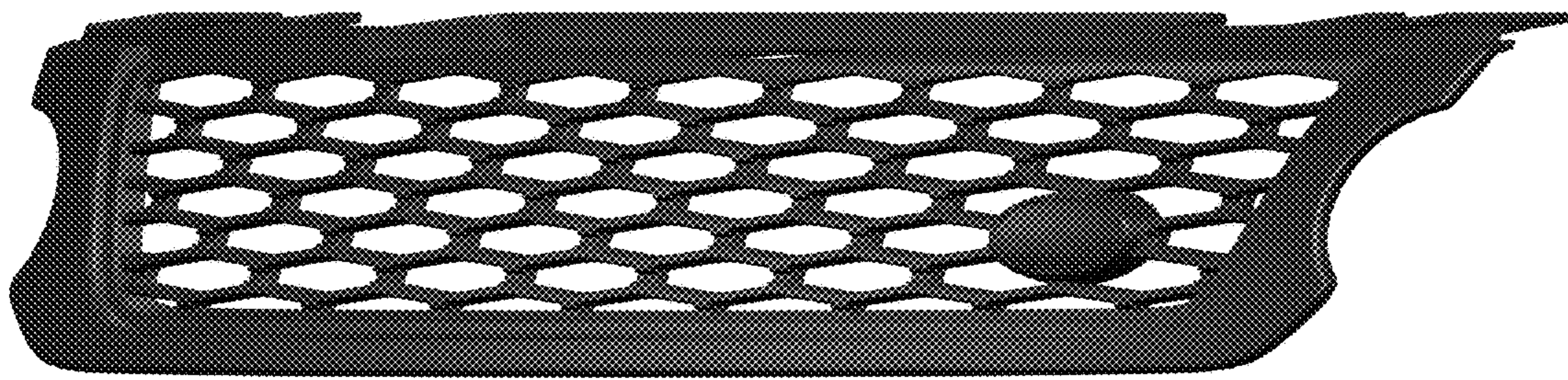


FIG. 1

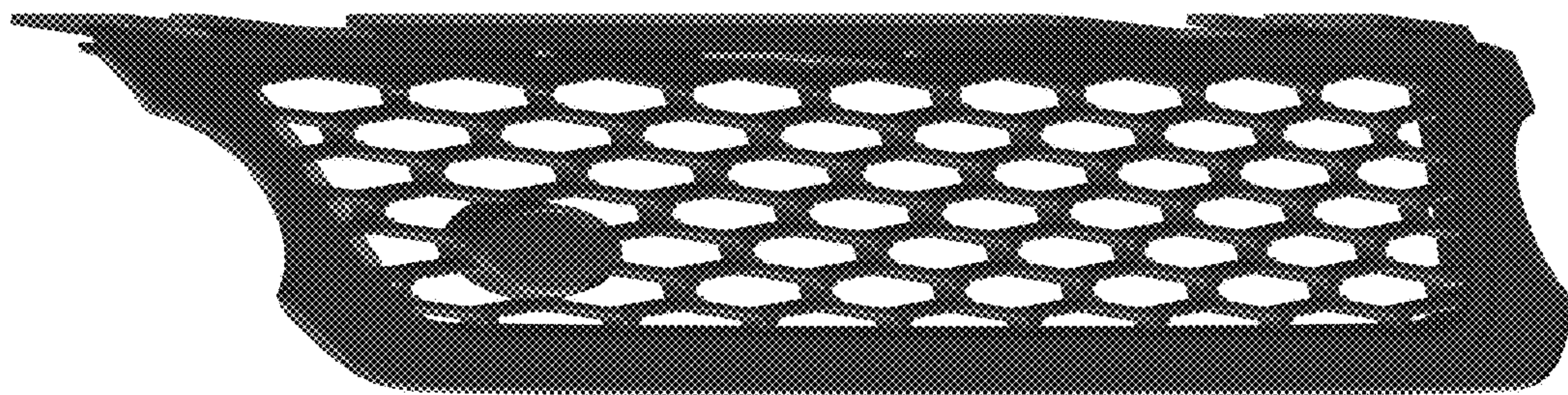


FIG. 2

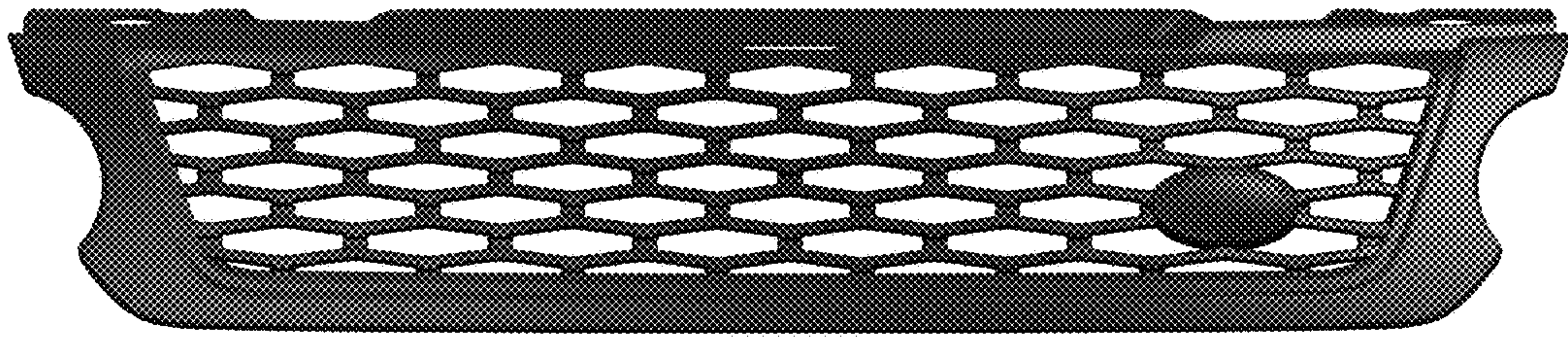


FIG. 3

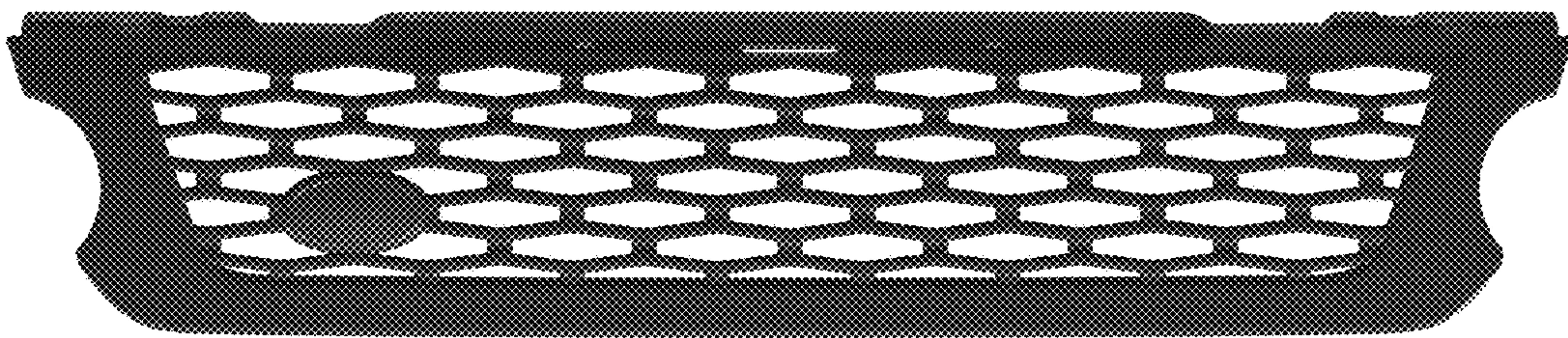


FIG. 4

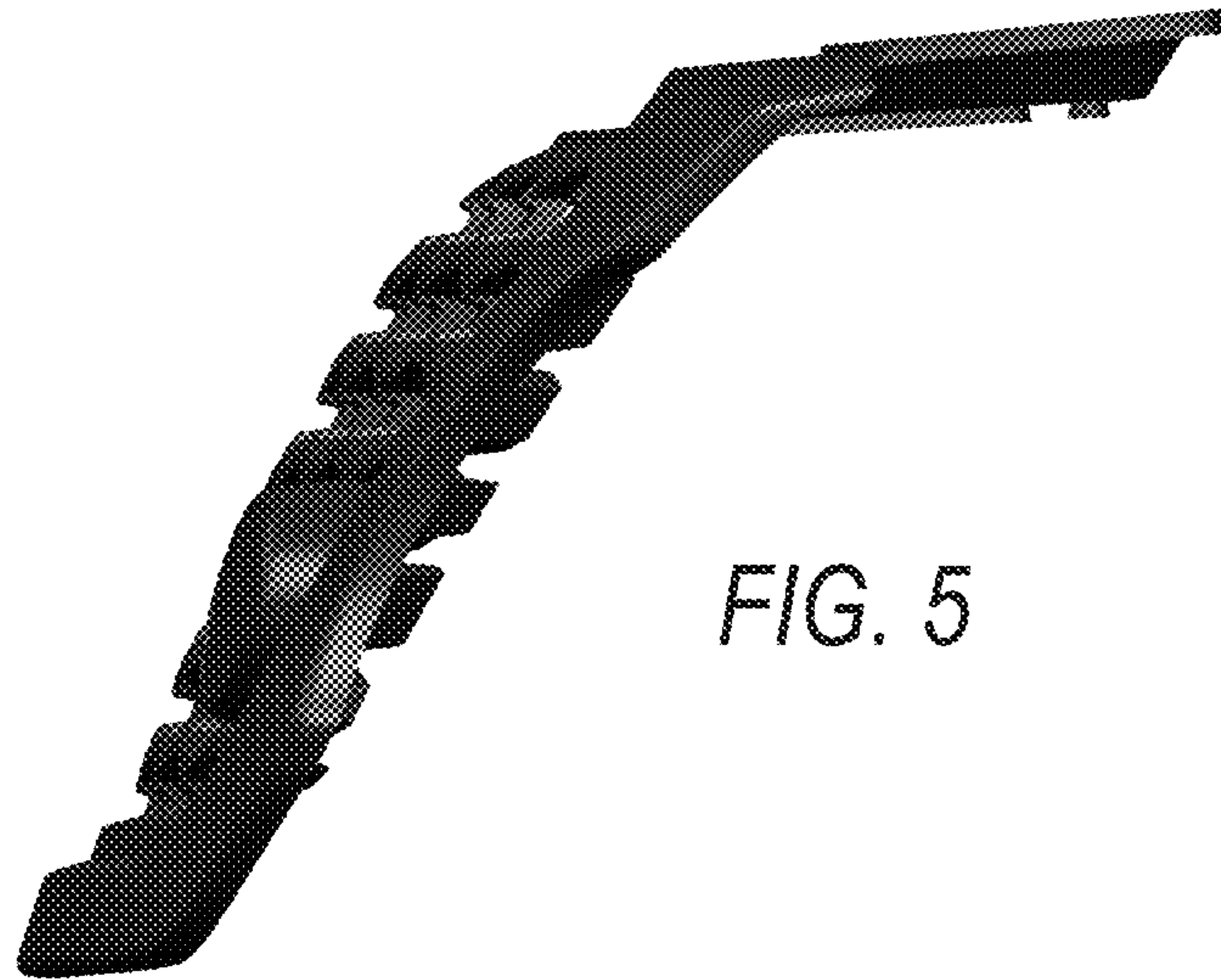


FIG. 5

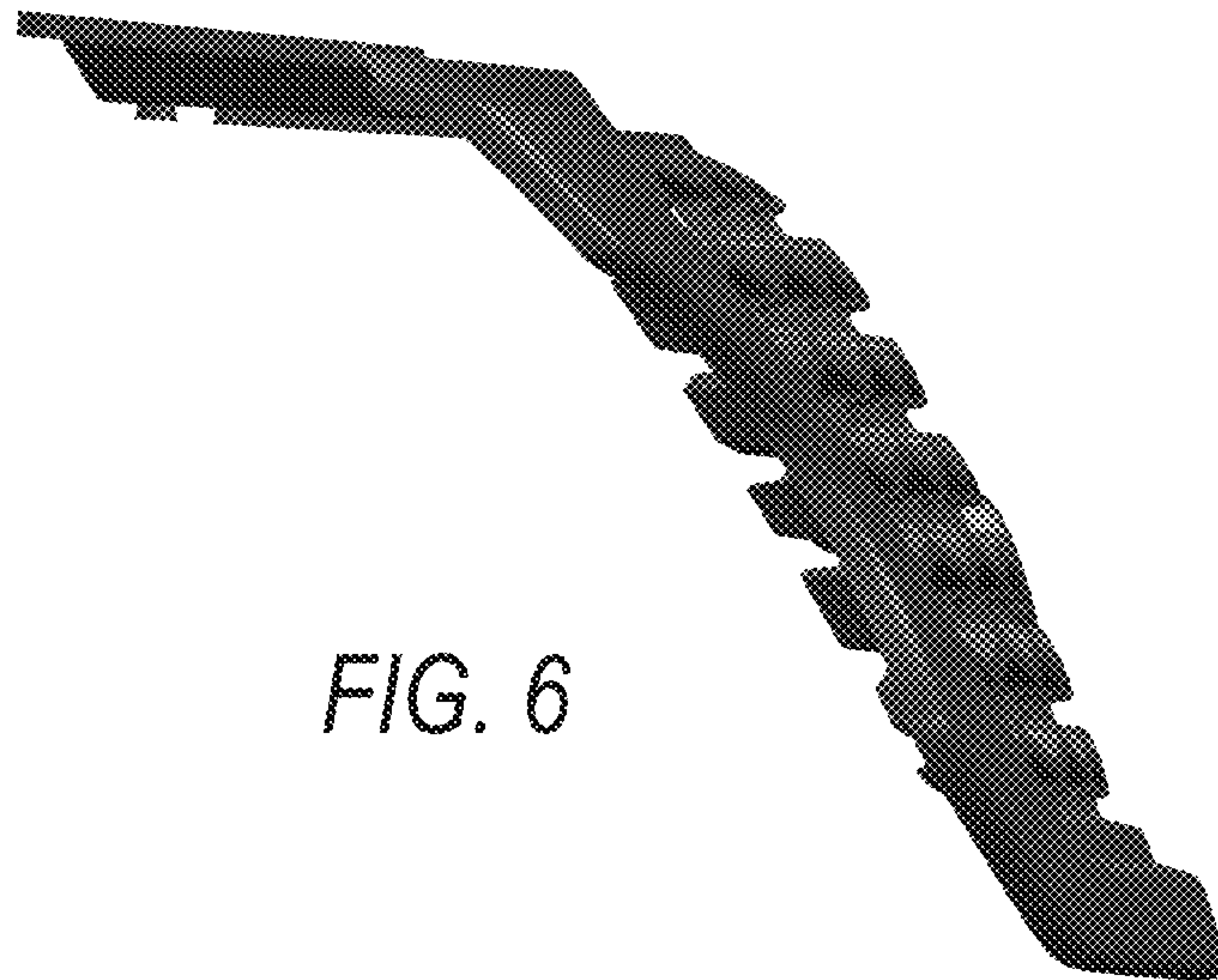


FIG. 6

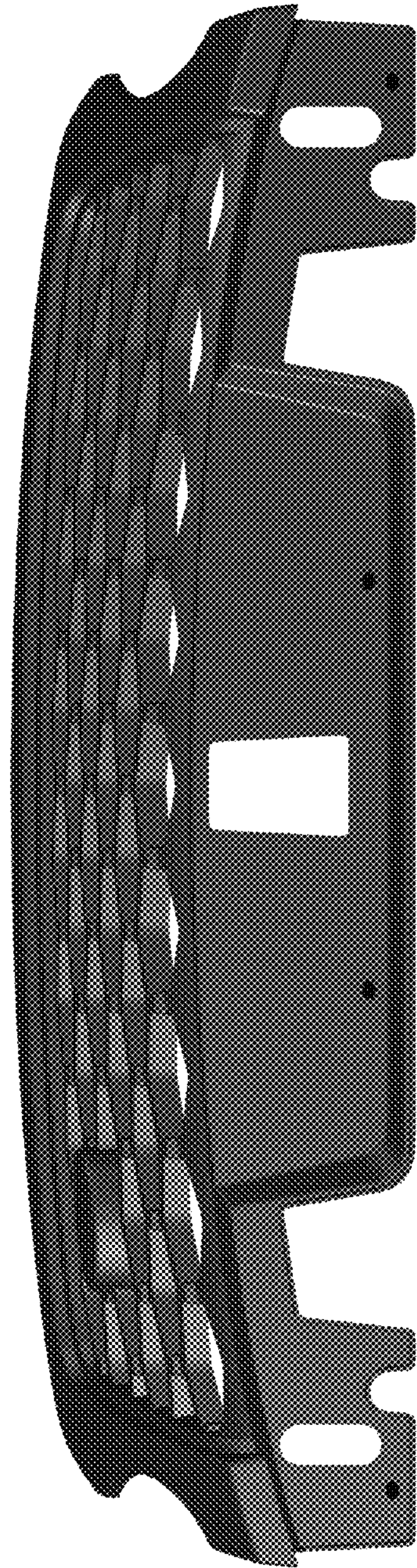


FIG. 7



FIG. 8