



US00D773958S

(12) **United States Design Patent** (10) **Patent No.:** **US D773,958 S**
Rike (45) **Date of Patent:** **** Dec. 13, 2016**

(54) **STORAGE TANK FOR DUMP BODY**

(71) Applicant: **PALMER TRUCKS, INC.,**
Indianapolis, IN (US)

(72) Inventor: **James B. Rike**, Indianapolis, IN (US)

(73) Assignee: **PALMER TRUCKS, INC.,**
Indianapolis, IN (US)

(**) Term: **14 Years**

(21) Appl. No.: **29/521,556**

(22) Filed: **Mar. 24, 2015**

(51) **LOC (10) Cl.** **08-10**

(52) **U.S. Cl.**
USPC **D12/15**

(58) **Field of Classification Search**
USPC D12/15, 10, 22-26, 30, 33, 28, 1, 5, 93,
D12/98, 196, 14
CPC B60P 1/16; B60P 1/286; B60P 3/30;
B60P 1/42; B60P 1/36
See application file for complete search history.

(56) **References Cited**

U.S. PATENT DOCUMENTS

- 4,273,381 A * 6/1981 Bibeau B62D 33/02
296/183.2
- D309,816 S * 8/1990 Morrow, Sr. D12/15
- 5,772,389 A 6/1998 Feller
- 6,186,731 B1 2/2001 Vickers et al.
- D450,627 S * 11/2001 Musso, Jr. D12/15
- 6,354,786 B1 3/2002 Feller
- 6,364,598 B1 4/2002 Vickers et al.
- 6,394,735 B2 5/2002 Hollinrake et al.
- D459,681 S * 7/2002 Turcotte D12/15
- 6,585,472 B2 7/2003 Hollinrake et al.
- 6,698,997 B2 3/2004 Arne et al.
- 6,881,022 B2 4/2005 Feller
- 6,945,482 B2 9/2005 Hollinrake et al.

- D520,524 S * 5/2006 Sandler D12/15
- D560,553 S * 1/2008 Vance D12/15
- 7,913,931 B2 3/2011 Hollinrake et al.
- 8,087,731 B1 * 1/2012 Rogers B60P 1/165
298/18
- 2007/0096536 A1 * 5/2007 Gapski B60P 1/28
298/8 R

(Continued)

Primary Examiner — Katrina A Betton

(74) *Attorney, Agent, or Firm* — Tucker Ellis LLP; Carlos Garritano

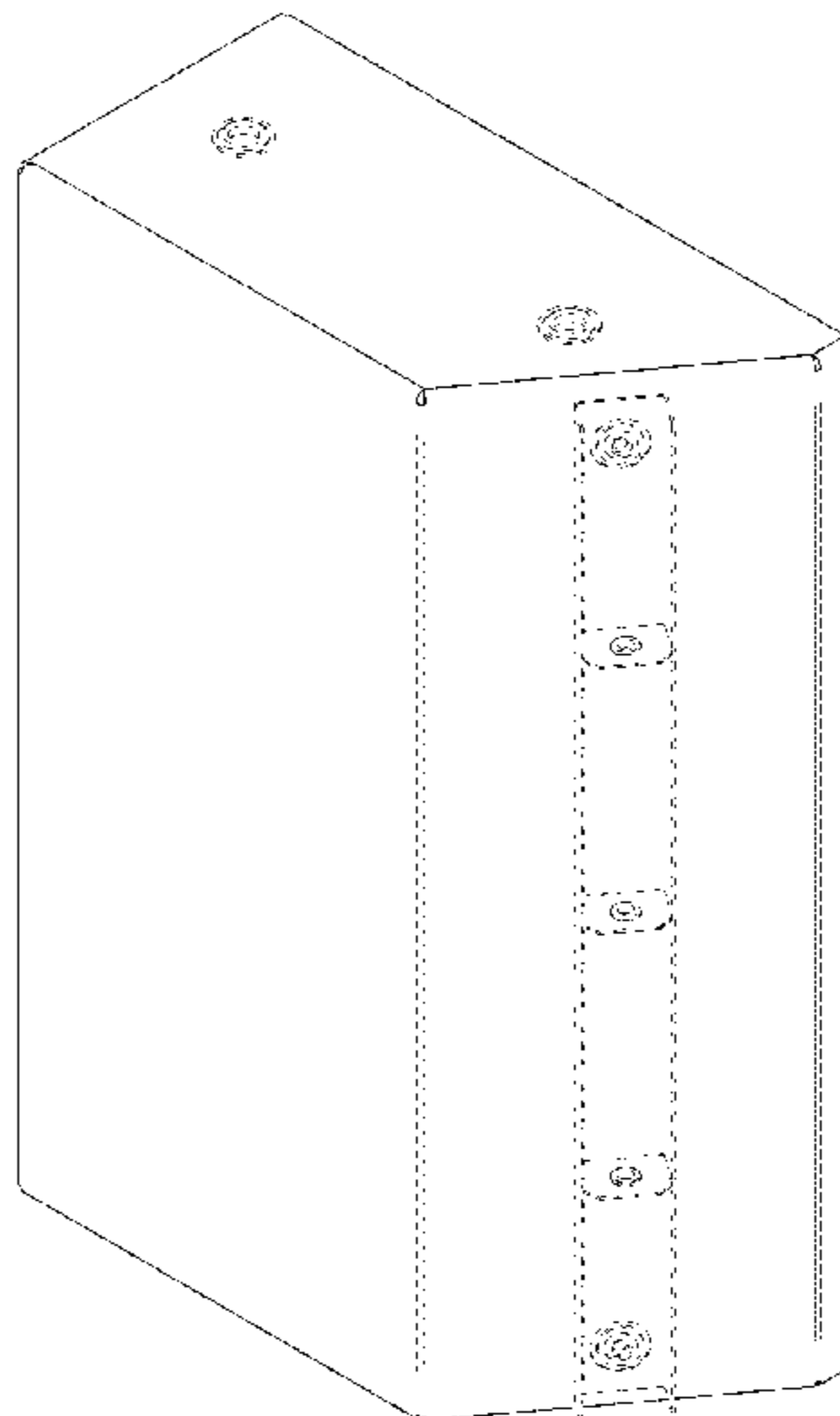
(57) **CLAIM**

The ornamental design for a storage tank for dump body, as shown and described.

DESCRIPTION

FIG. 1 is a top front perspective view of a storage tank for dump body showing our new design;
 FIG. 2 is a bottom front perspective view of the storage tank for dump body illustrated in FIG. 1;
 FIG. 3 is front view of the storage tank for dump body illustrated in FIG. 1;
 FIG. 4 is a rear view of the storage tank for dump body illustrated in FIG. 1;
 FIG. 5 is a left side view of the storage tank for dump body illustrated in FIG. 1;
 FIG. 6 is a right side view of the storage tank for dump body illustrated in FIG. 1;
 FIG. 7 is a top view of the storage tank for dump body illustrated in FIG. 1;
 FIG. 8 is a bottom view of the storage tank for dump body illustrated in FIG. 1; and,
 FIG. 9 is an in use view of the storage tank for dump body illustrated in FIG. 1.
 In the drawings, the broken lines depict portions of the article that form no part of the claimed design.

1 Claim, 7 Drawing Sheets



(56)

References Cited

U.S. PATENT DOCUMENTS

2008/0018135 A1* 1/2008 Risner B60P 1/286
296/183.2

* cited by examiner

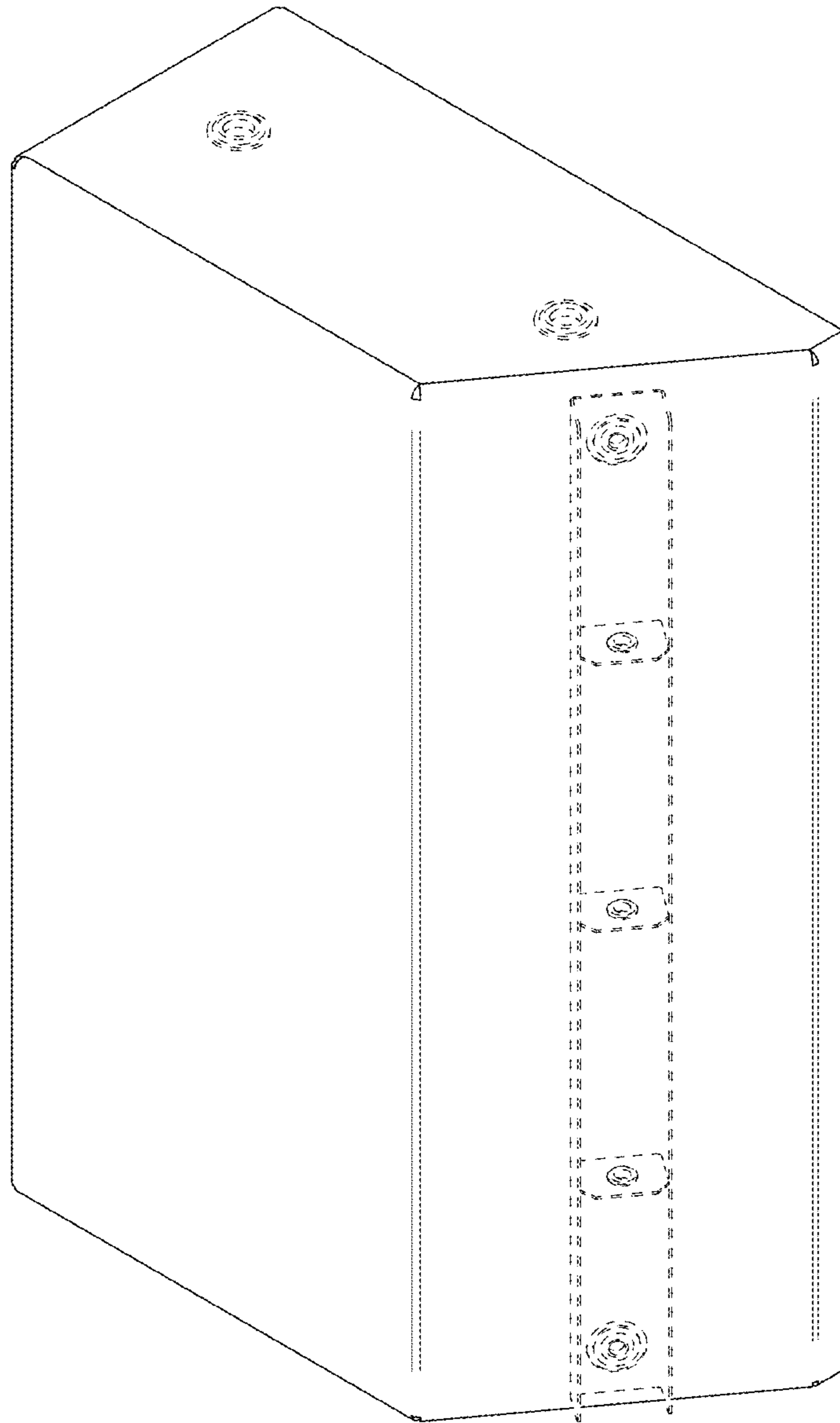


FIG. 1

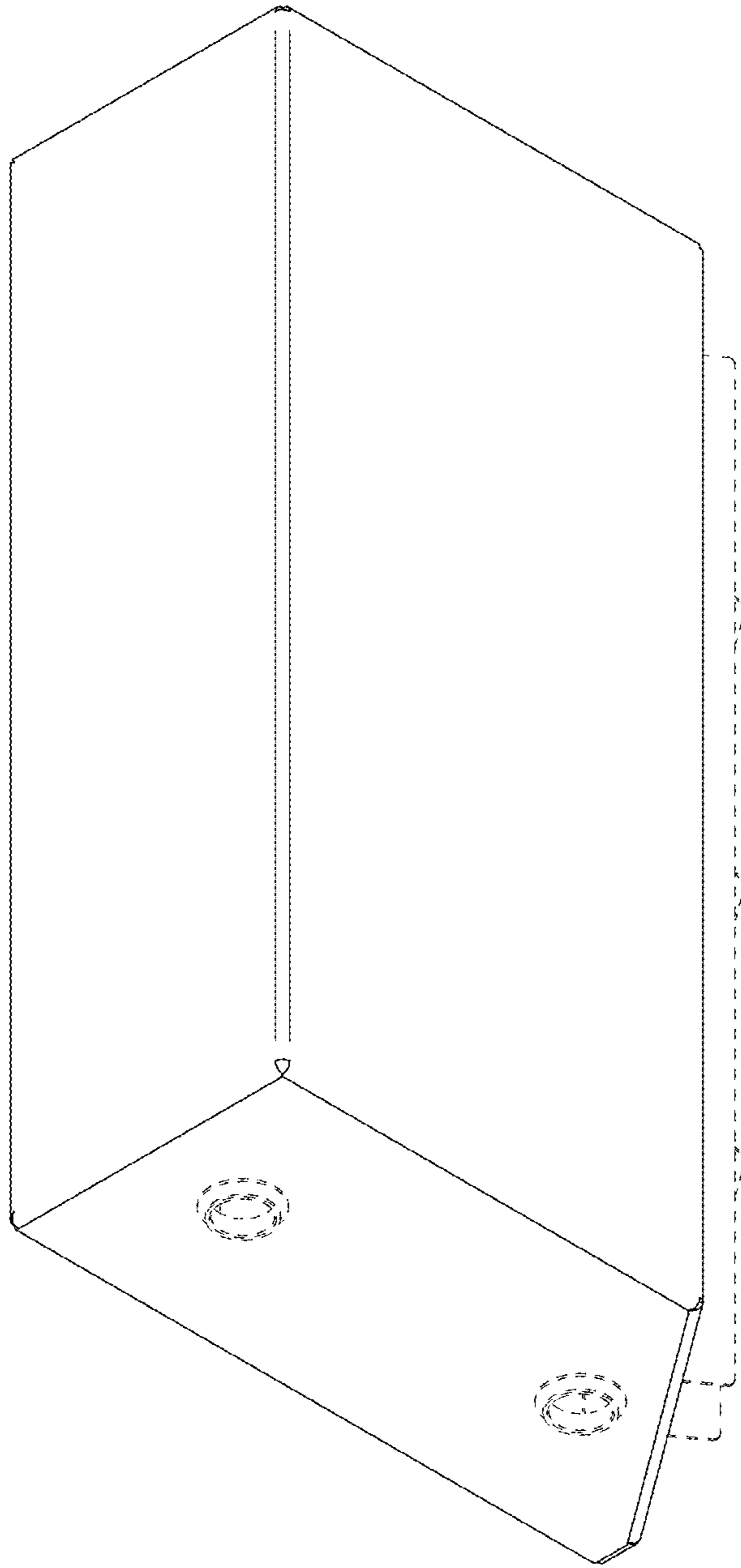


FIG. 2

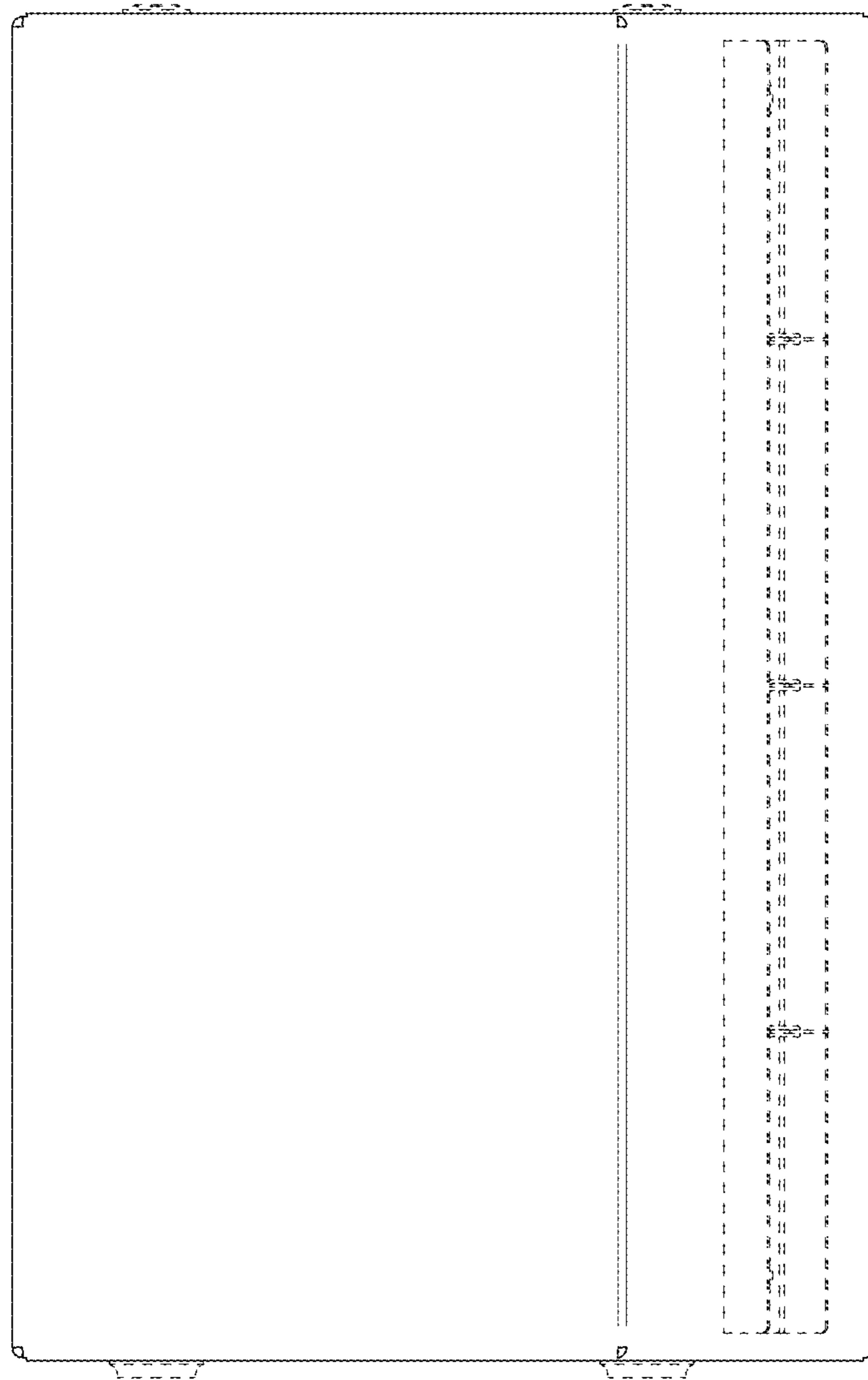


FIG. 3

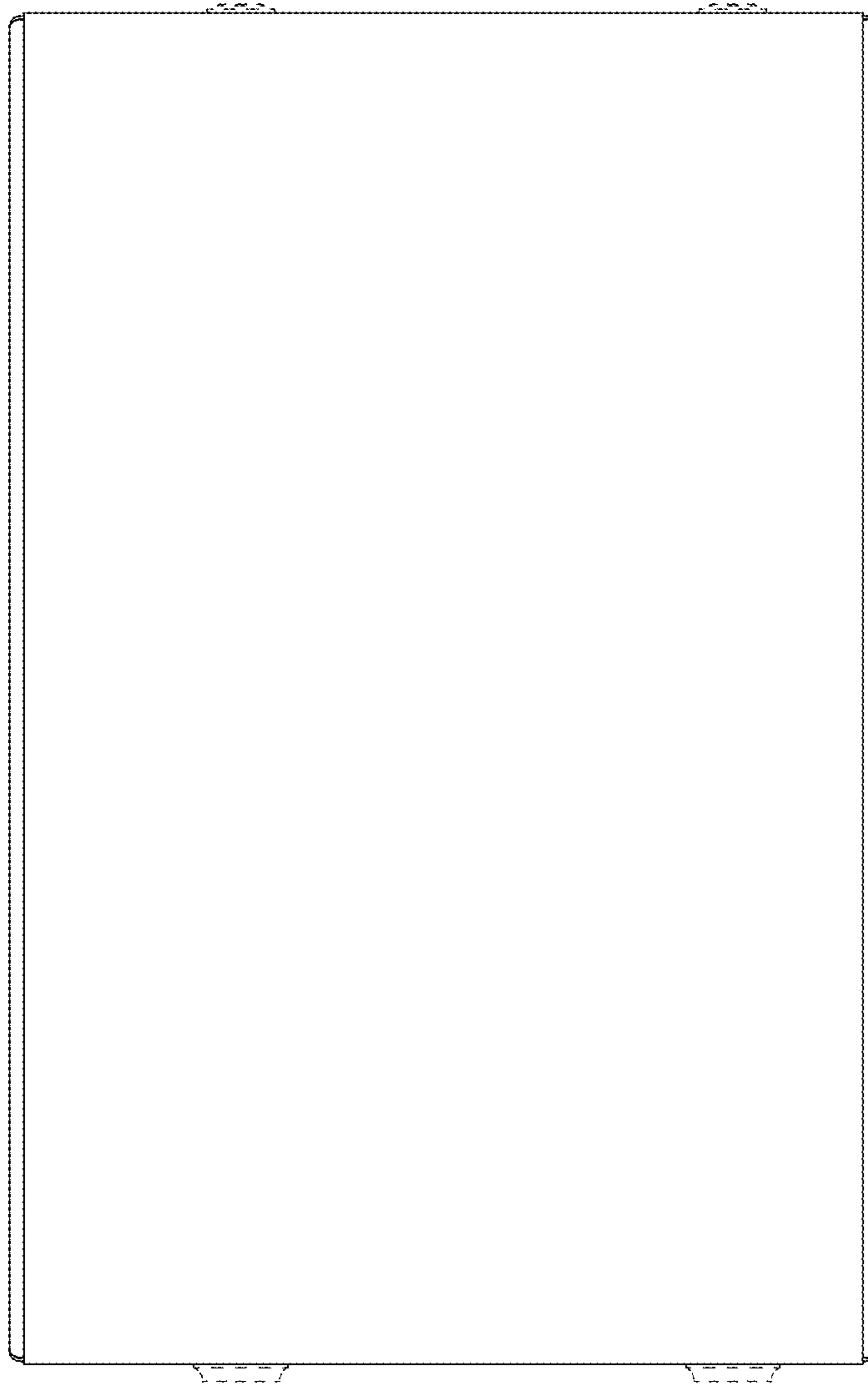


FIG. 4

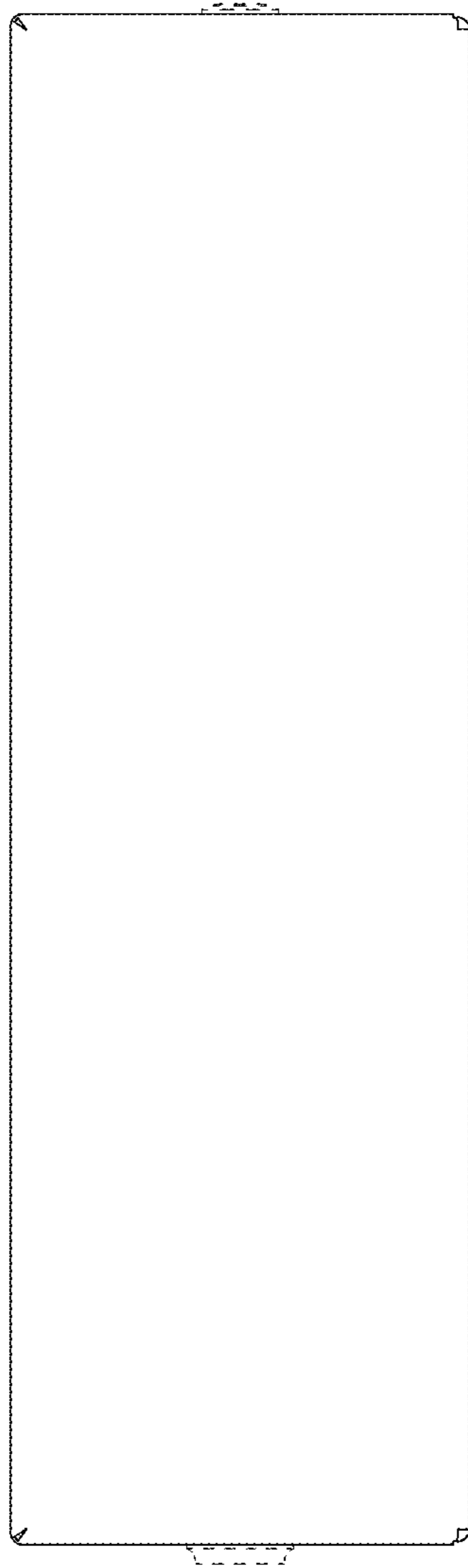


FIG. 5

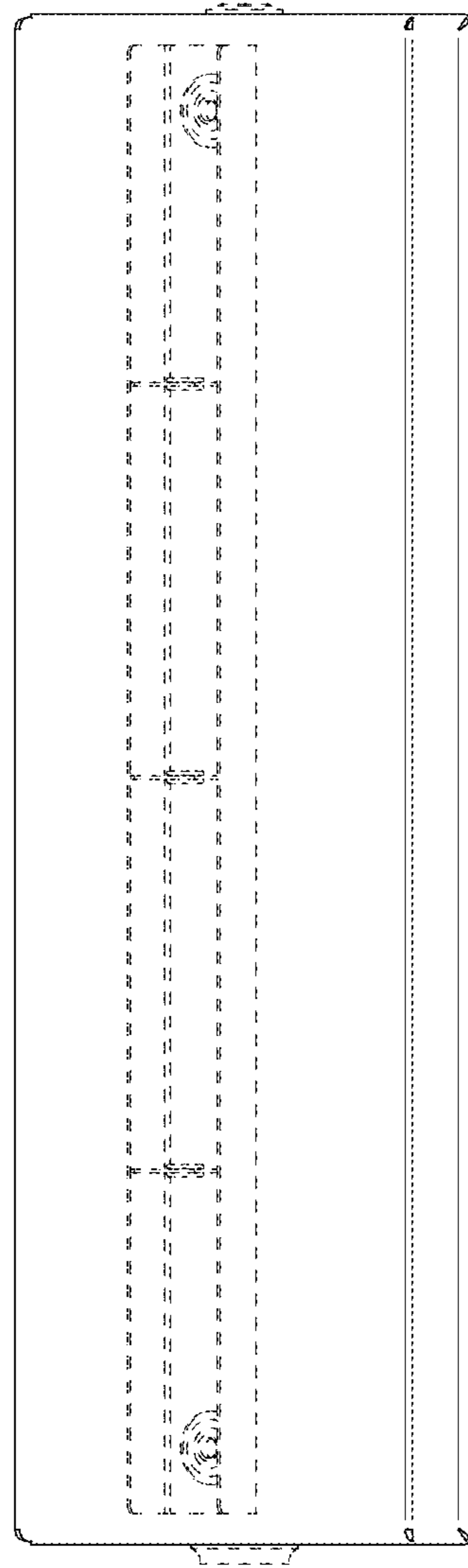


FIG. 6

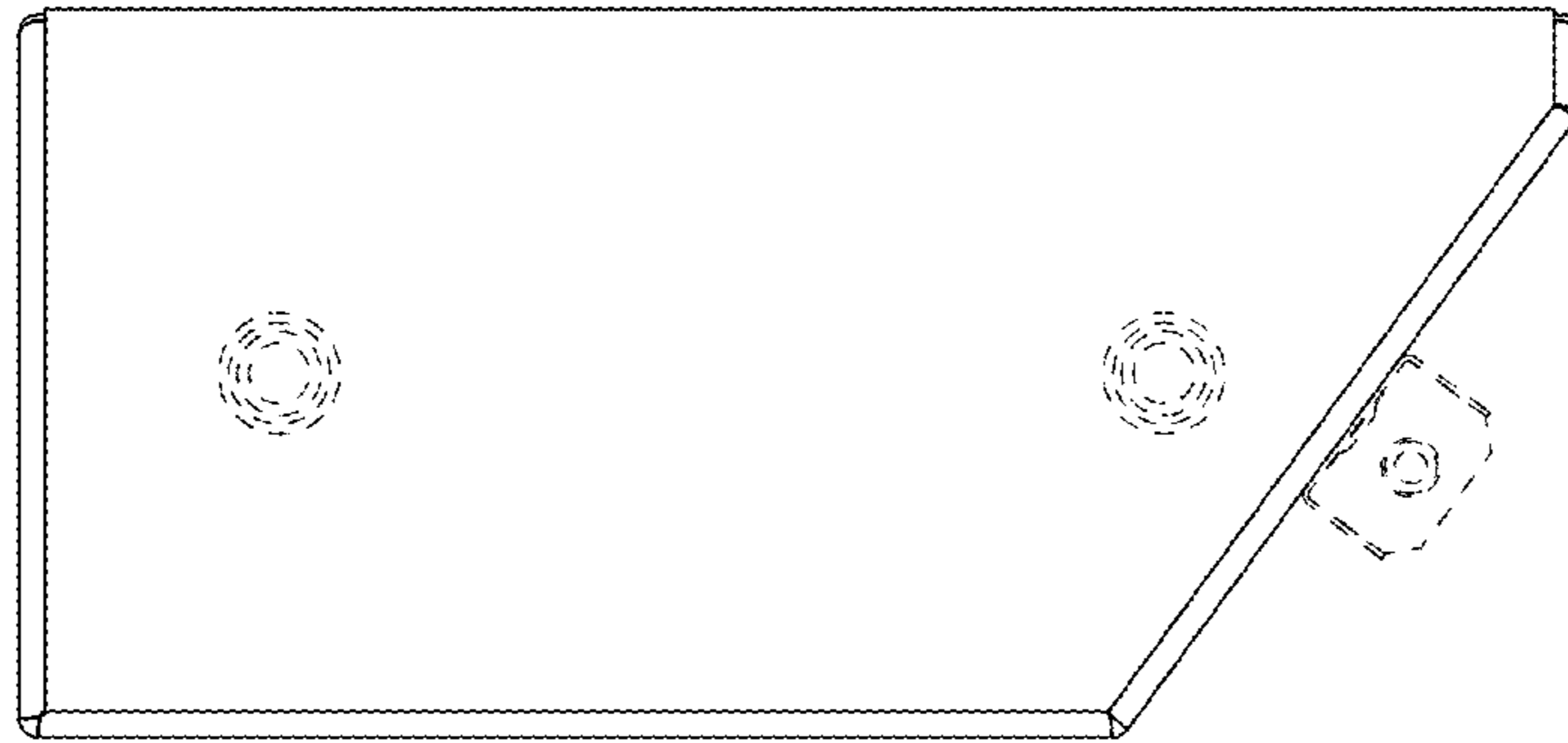


FIG. 7

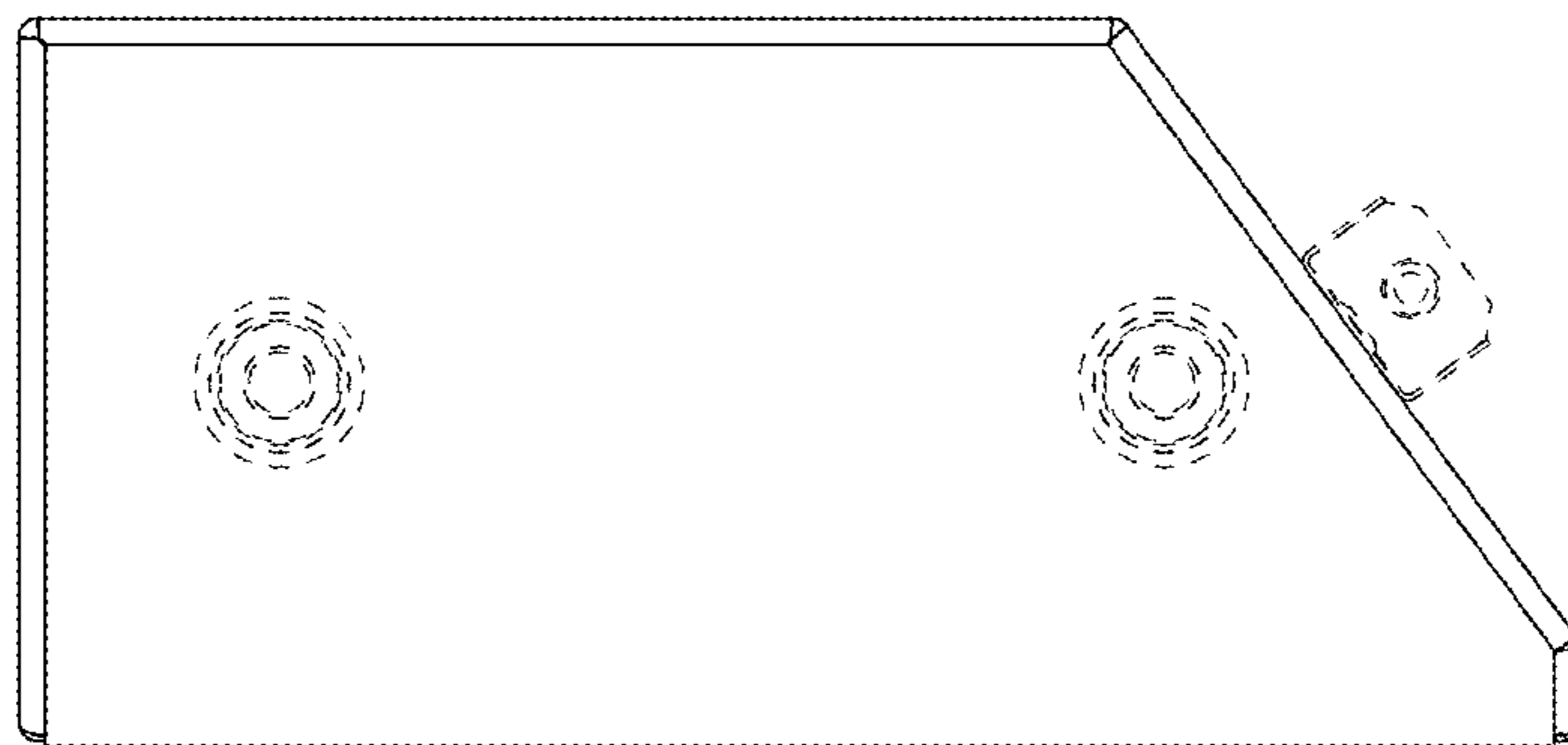


FIG. 8

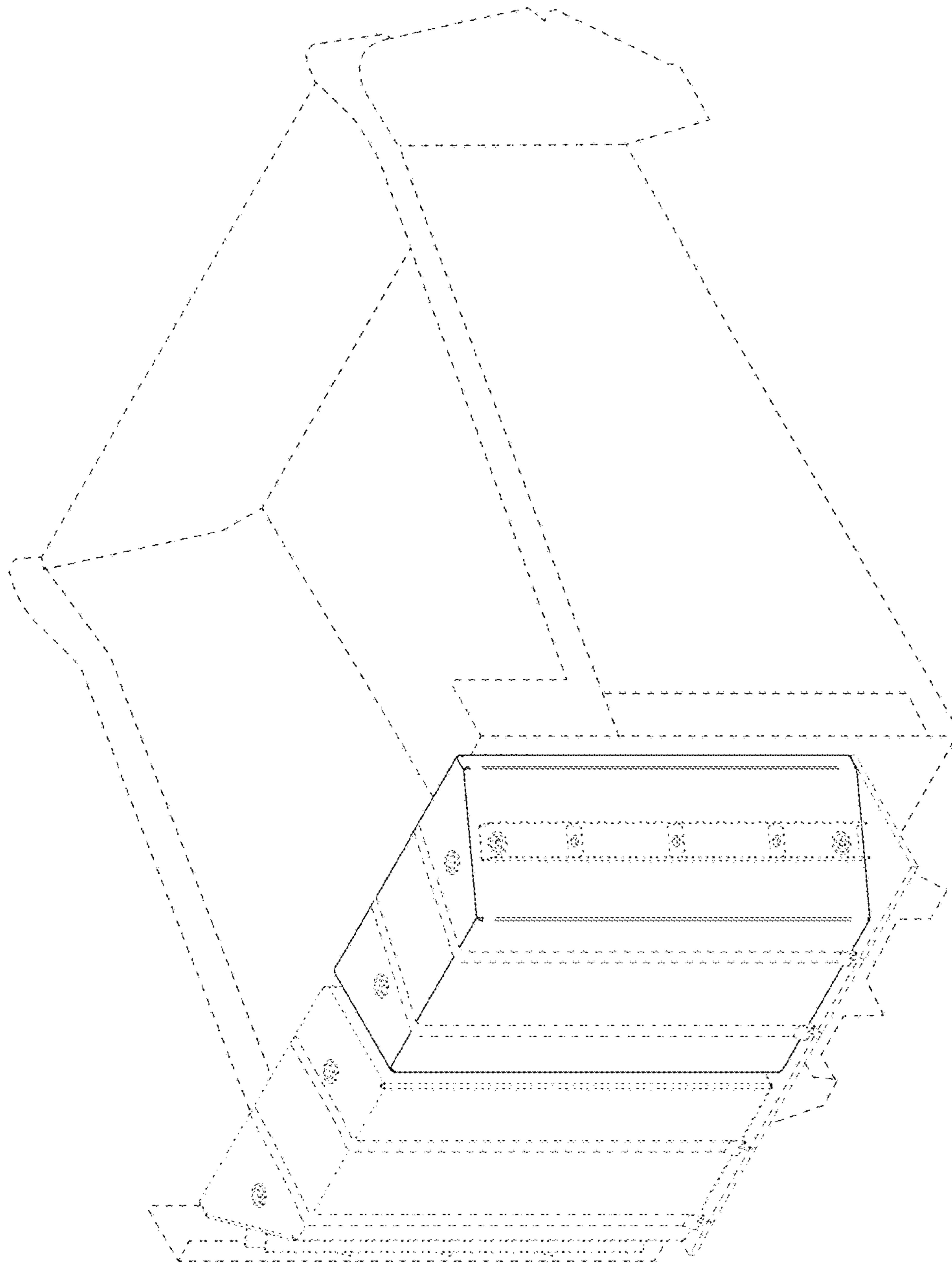


FIG. 9