



US00D773948S

(12) **United States Design Patent** (10) **Patent No.:** **US D773,948 S**
Schneid et al. (45) **Date of Patent:** **** Dec. 13, 2016**

(54) **FIRE ALARM**
 (71) Applicant: **Robert Bosch GmbH**, Stuttgart (DE)
 (72) Inventors: **Manfred Schneid**, Poing (DE);
Matthias Wieser, Stuttgart (DE);
Andreas Dimitriadis, Lorch (DE)
 (73) Assignee: **Robert Bosch GmbH**, Stuttgart (DE)
 (**) Term: **15 Years**
 (21) Appl. No.: **29/534,005**
 (22) Filed: **Jul. 24, 2015**

(30) **Foreign Application Priority Data**
 Feb. 20, 2015 (EM) 002637702
 (51) **LOC (10) Cl.** **10-05**
 (52) **U.S. Cl.**
 USPC **D10/106.2**
 (58) **Field of Classification Search**
 USPC D10/104.1, 106.1–106.8; D16/203;
 340/571, 588, 628–630
 CPC G08B 5/36; G08B 17/06; G08B 17/10;
 G08B 5/38
 See application file for complete search history.

(56) **References Cited**
 U.S. PATENT DOCUMENTS
 D258,577 S * 3/1981 Bottner D10/104.1
 D297,316 S * 8/1988 Mastro D10/106.2
 D457,457 S * 5/2002 Povey D10/114.1
 6,549,121 B2 * 4/2003 Povey G08B 5/38
 340/321

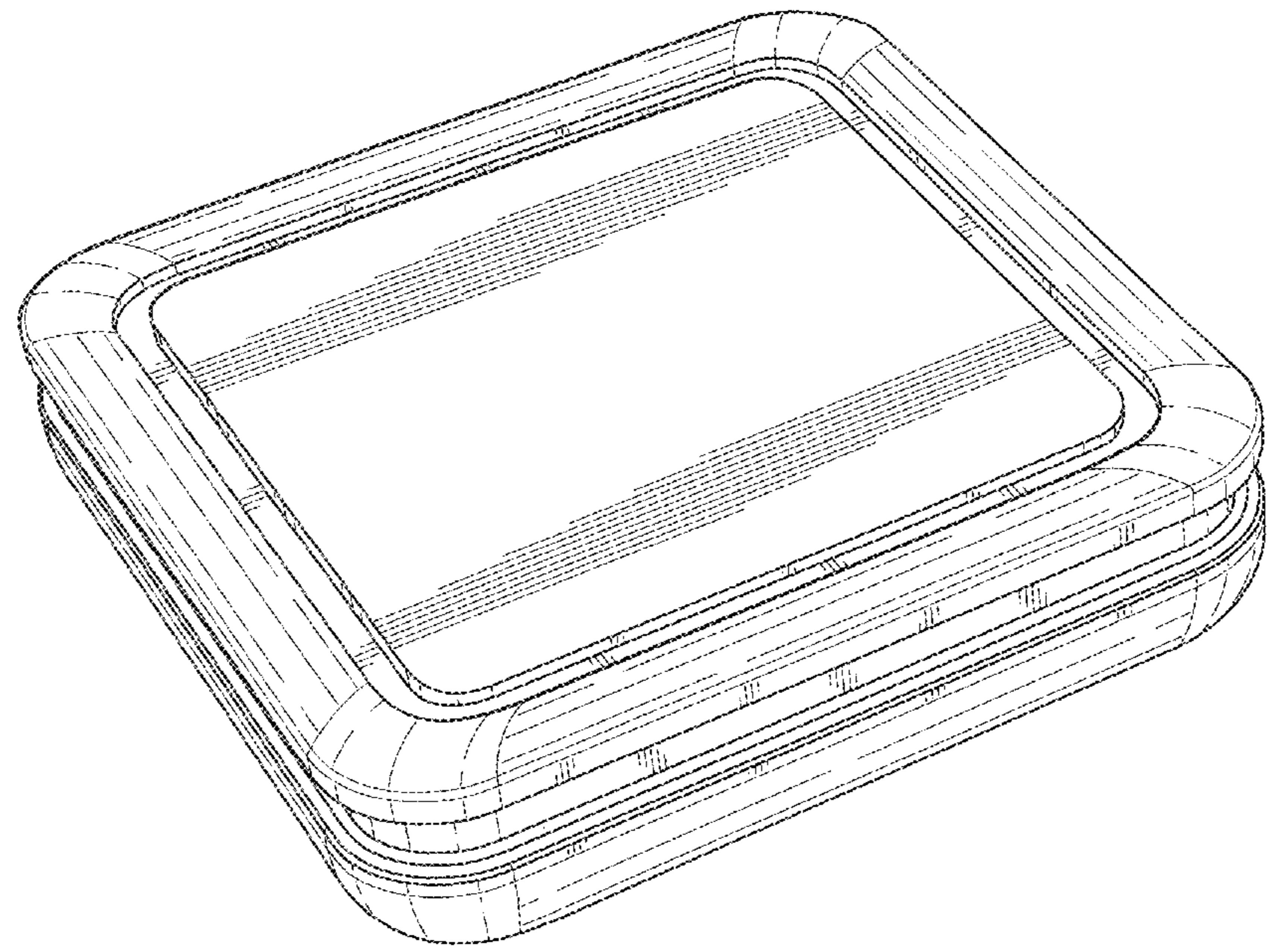
D549,119 S * 8/2007 Becker D10/104.1
 D573,136 S * 7/2008 Lee D14/204
 D601,445 S * 10/2009 Morrow D10/106.2
 D611,863 S * 3/2010 Kato D10/106.2
 D685,278 S * 7/2013 Bellier D10/106.2
 D724,462 S * 3/2015 Bould D10/106.2
 D727,321 S * 4/2015 LaBorde D14/383
 D728,395 S * 5/2015 Roberts D10/104.1

* cited by examiner
Primary Examiner — Sandra Morris
 (74) *Attorney, Agent, or Firm* — Maginot, Moore & Beck
 LLP

(57) **CLAIM**
 The ornamental design for a fire alarm, as shown and
 described.

DESCRIPTION
 FIG. 1 is a front perspective view of a fire alarm showing our
 new design;
 FIG. 2 is a right side elevational view showing the design for
 the fire alarm of FIG. 1;
 FIG. 3 is a left side elevational view showing the design for
 the fire alarm of FIG. 1;
 FIG. 4 is a rear elevational view showing the design for the
 fire alarm of FIG. 1;
 FIG. 5 is a front elevational view showing the design for the
 fire alarm of FIG. 1;
 FIG. 6 is a bottom plan view showing the design for the fire
 alarm of FIG. 1; and,
 FIG. 7 is a top plan view showing the design for the fire
 alarm of FIG. 1.

1 Claim, 7 Drawing Sheets



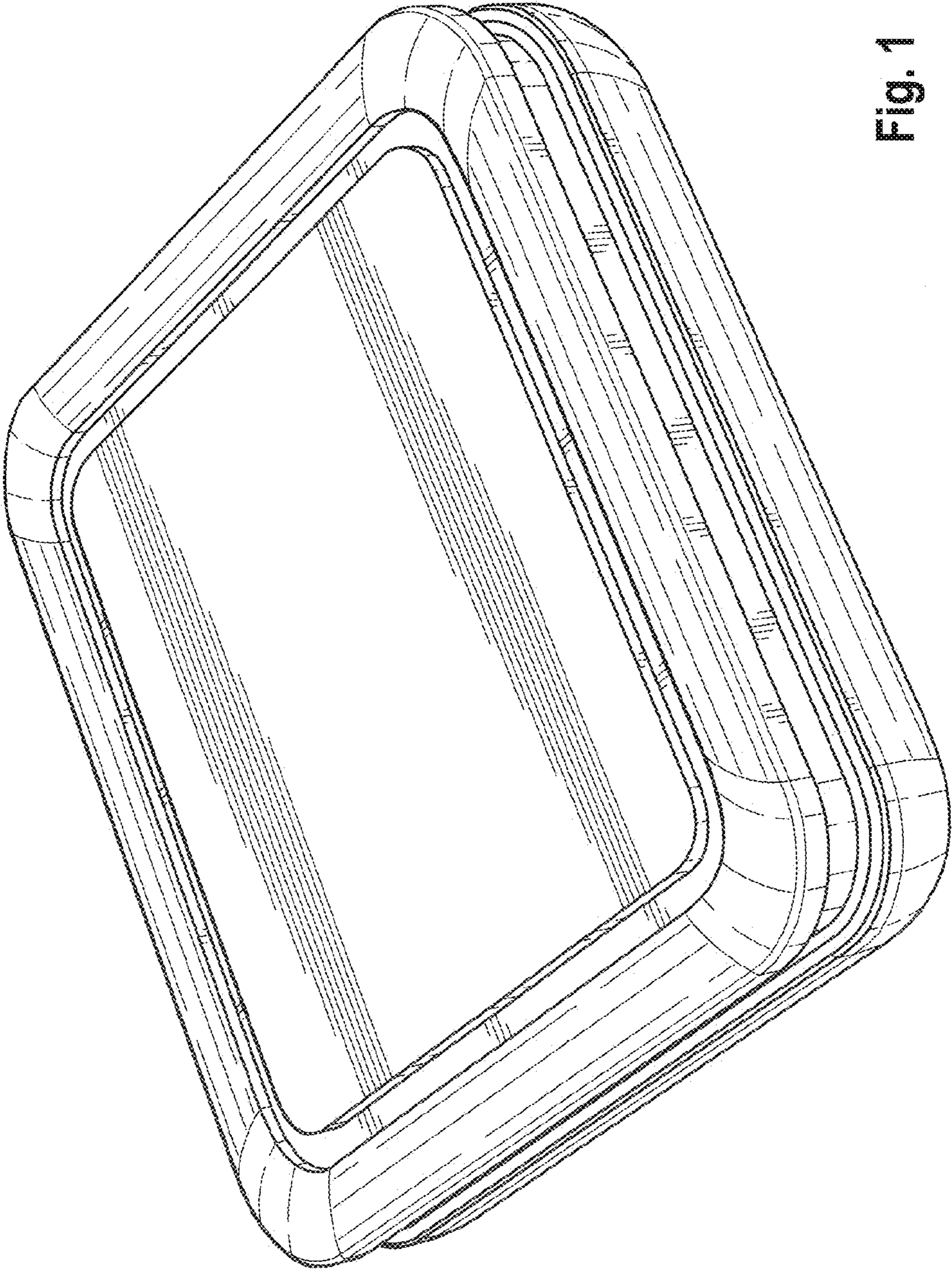


Fig. 1

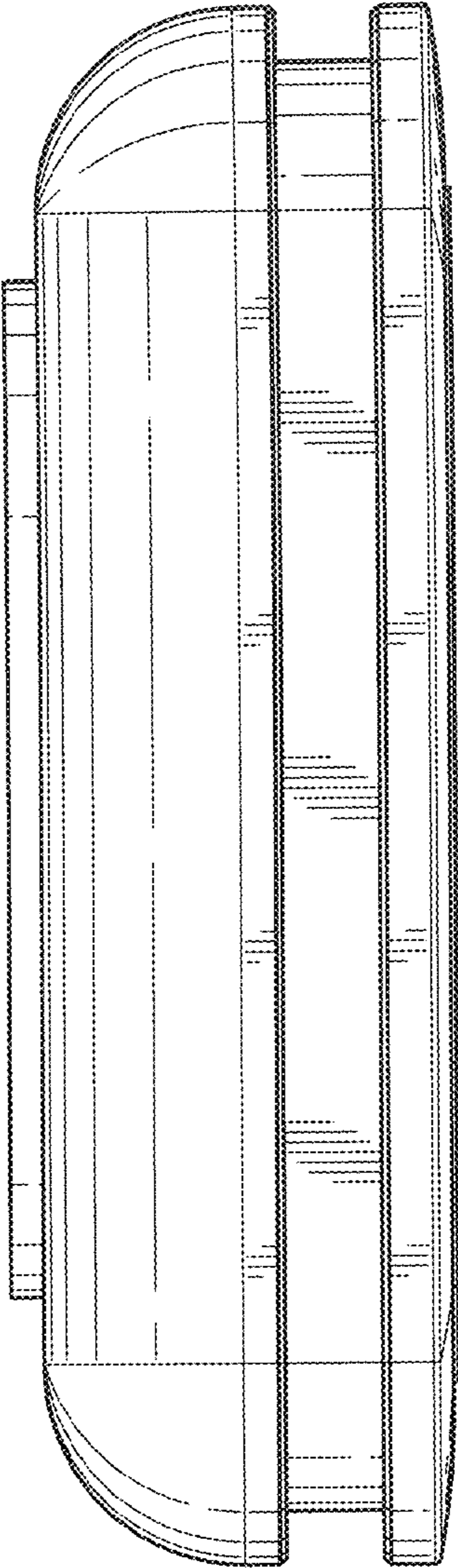


Fig. 2

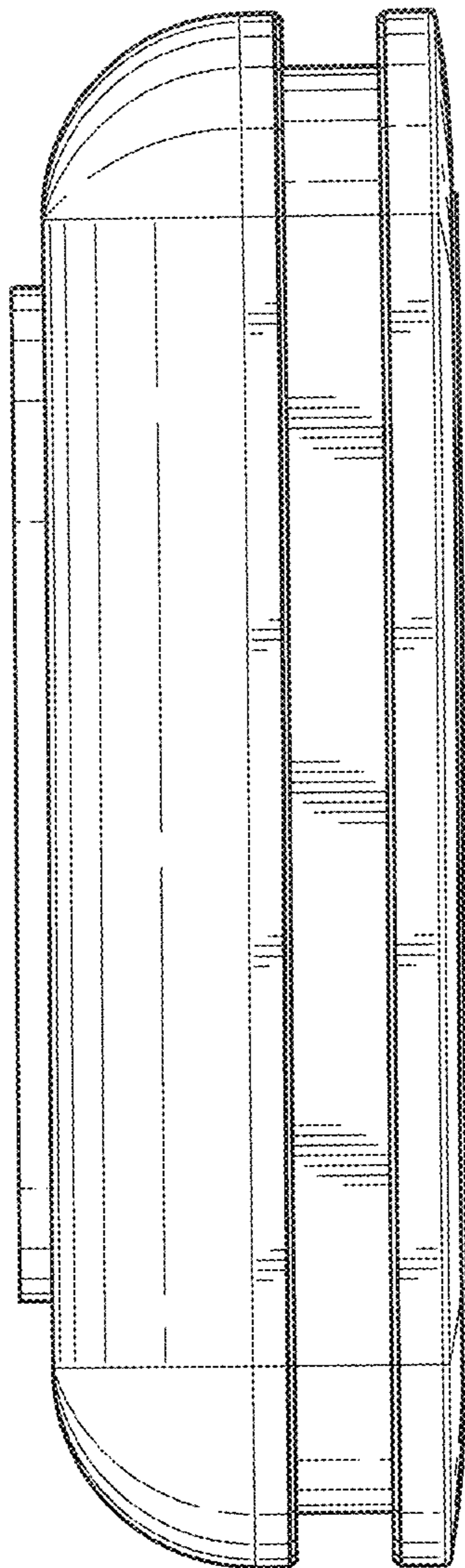


Fig. 3

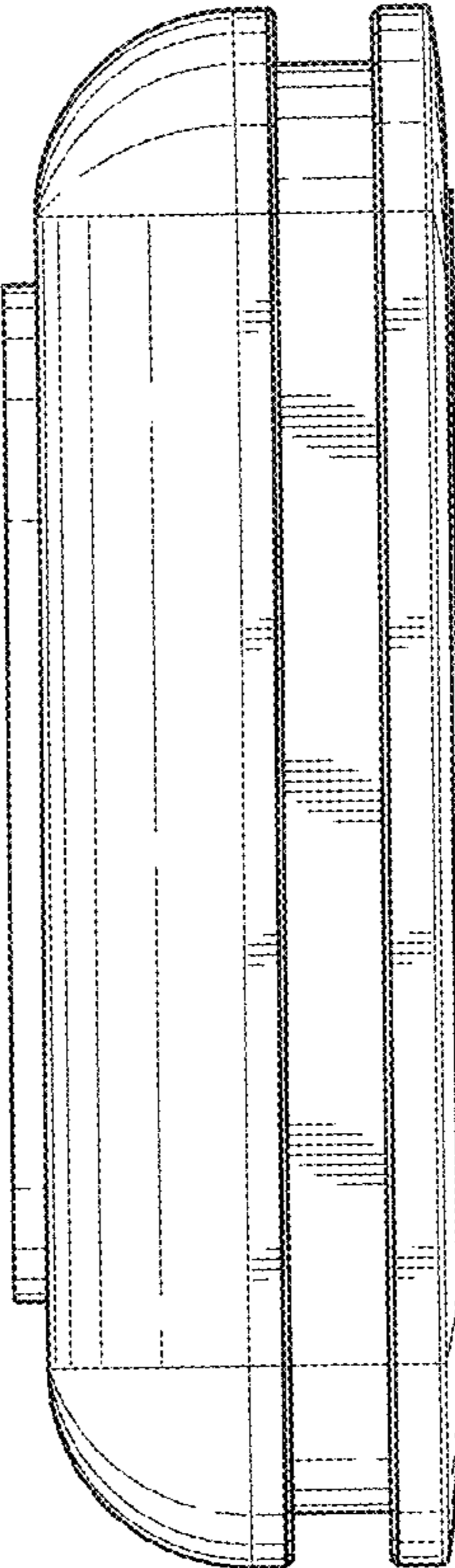


Fig. 4

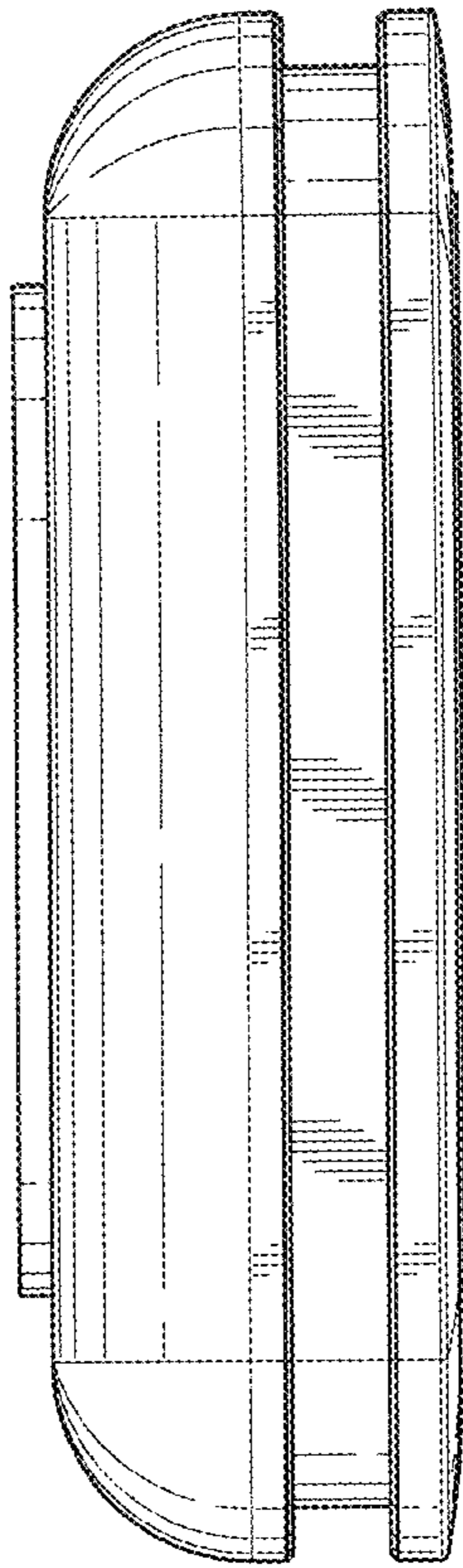


Fig. 5

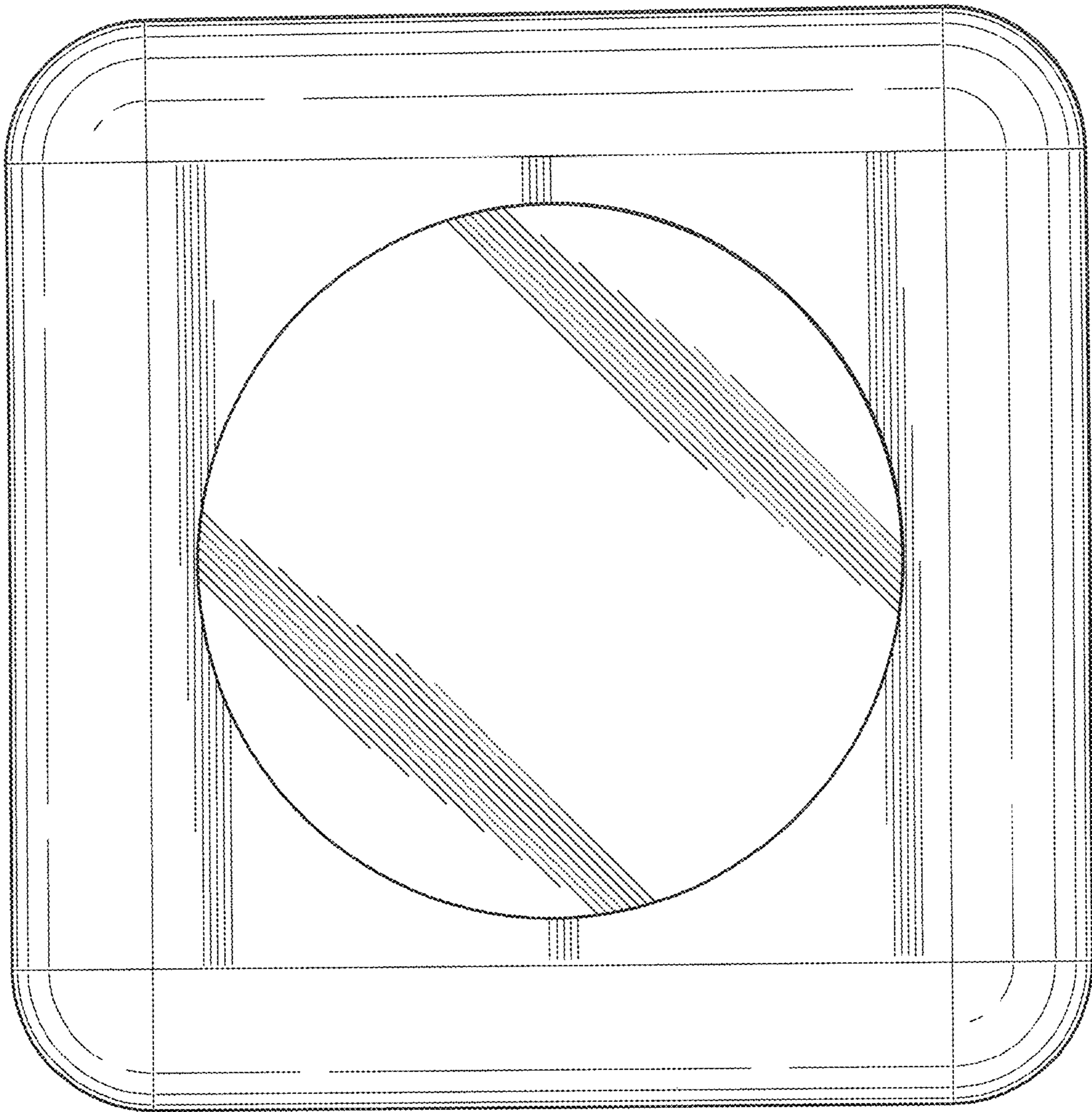


Fig. 6

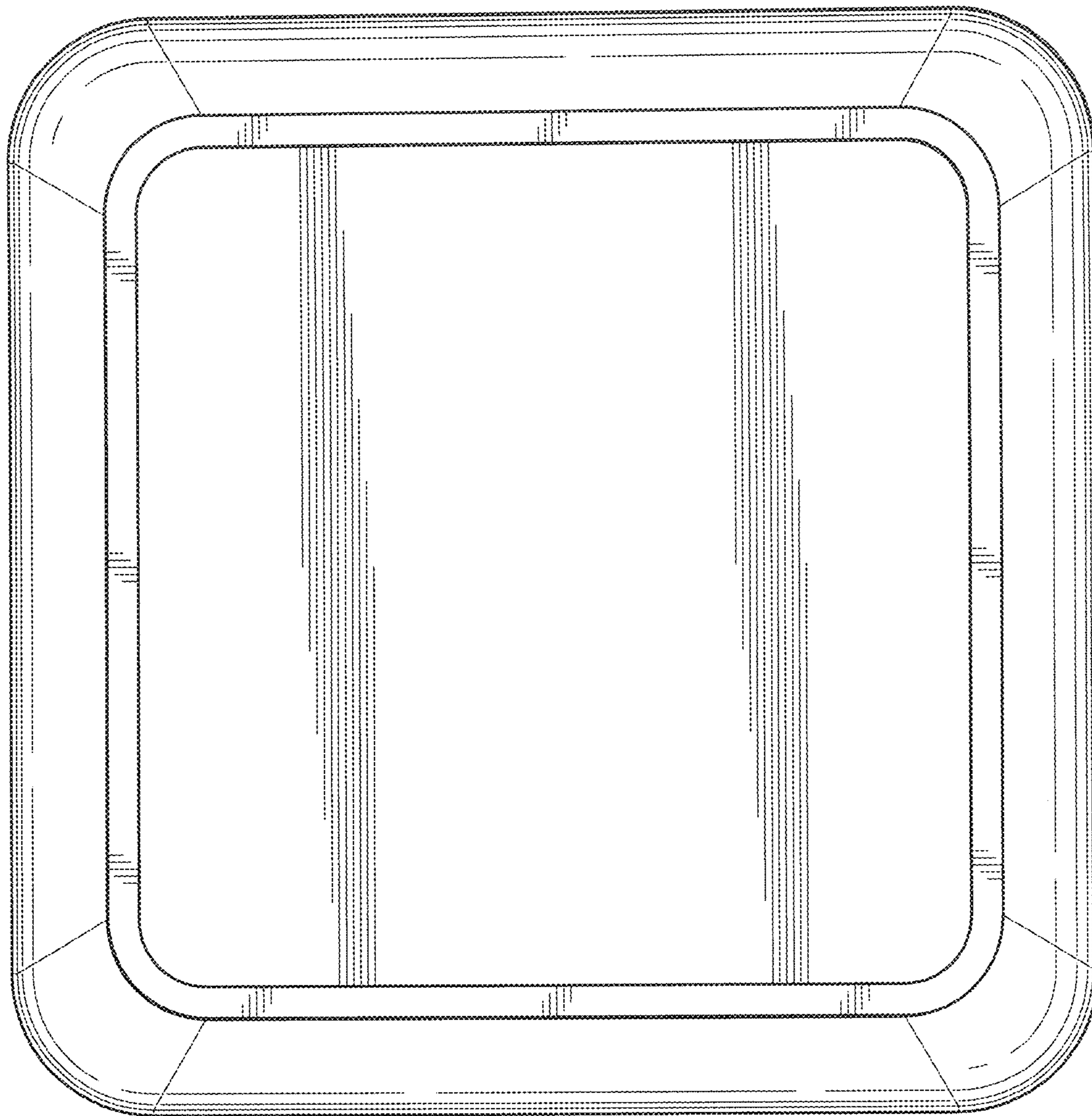


Fig. 7