



US00D773947S

(12) **United States Design Patent** (10) **Patent No.:** **US D773,947 S**
Scarcella et al. (45) **Date of Patent:** **** Dec. 13, 2016**

(54) **DETECTOR DEVICE**
(71) Applicant: **DELTA FAUCET COMPANY**,
Indianapolis, IN (US)
(72) Inventors: **Jeffrey Alan Scarcella**, Tariffville, CT
(US); **Michael Tetreault**, Simsbury, CT
(US); **Hillary Catherine Tracy**, West
Hartford, CT (US); **Michael Andrew**
Daigle, Glastonbury, CT (US)

D602,915 S * 10/2009 Song D14/218
D632,265 S * 2/2011 Choi D13/168
D680,015 S * 4/2013 Hauser D10/106.9
D700,904 S * 3/2014 Miller D13/168
D731,334 S * 6/2015 Fiedler D10/70
D746,166 S * 12/2015 Li D10/104.1
D756,828 S * 5/2016 Wettre D10/106.5
D757,584 S * 5/2016 Pusey D10/106.5
D757,587 S * 5/2016 Li D10/106.6
D761,135 S * 7/2016 Allen, Sr. D10/50

* cited by examiner

(73) Assignee: **DELTA FAUCET COMPANY**,
Indianapolis, IN (US)

Primary Examiner — George D Kirschbaum
Assistant Examiner — Joseph Kukella

(**) Term: **15 Years**

(74) *Attorney, Agent, or Firm* — Edgar A. Zarins; Nirav
D. Parikh

(21) Appl. No.: **29/550,224**

(22) Filed: **Dec. 31, 2015**

(51) **LOC (10) Cl.** **10-05**

(57) **CLAIM**

(52) **U.S. Cl.**
USPC **D10/104.1**

The ornamental design for a detector device, as shown and
described.

(58) **Field of Classification Search**
USPC D10/104.1, 106.1–106.9, 116.1,
D10/118, 118.2, 119.1, 121, 125, 126,
D10/132; 340/693.5, 693.6

DESCRIPTION

CPC G08B 17/06; G08B 17/10; G08B 17/103;
G08B 17/107; G08B 21/12; G08B 21/22;
G08B 15/00

FIG. 1 is a perspective view of a detector device showing our
new design;
FIG. 2 is a top plan view;
FIG. 3 is a front view thereof, the back view, left side view,
and right side view being identical; and,
FIG. 4 is a bottom view thereof.

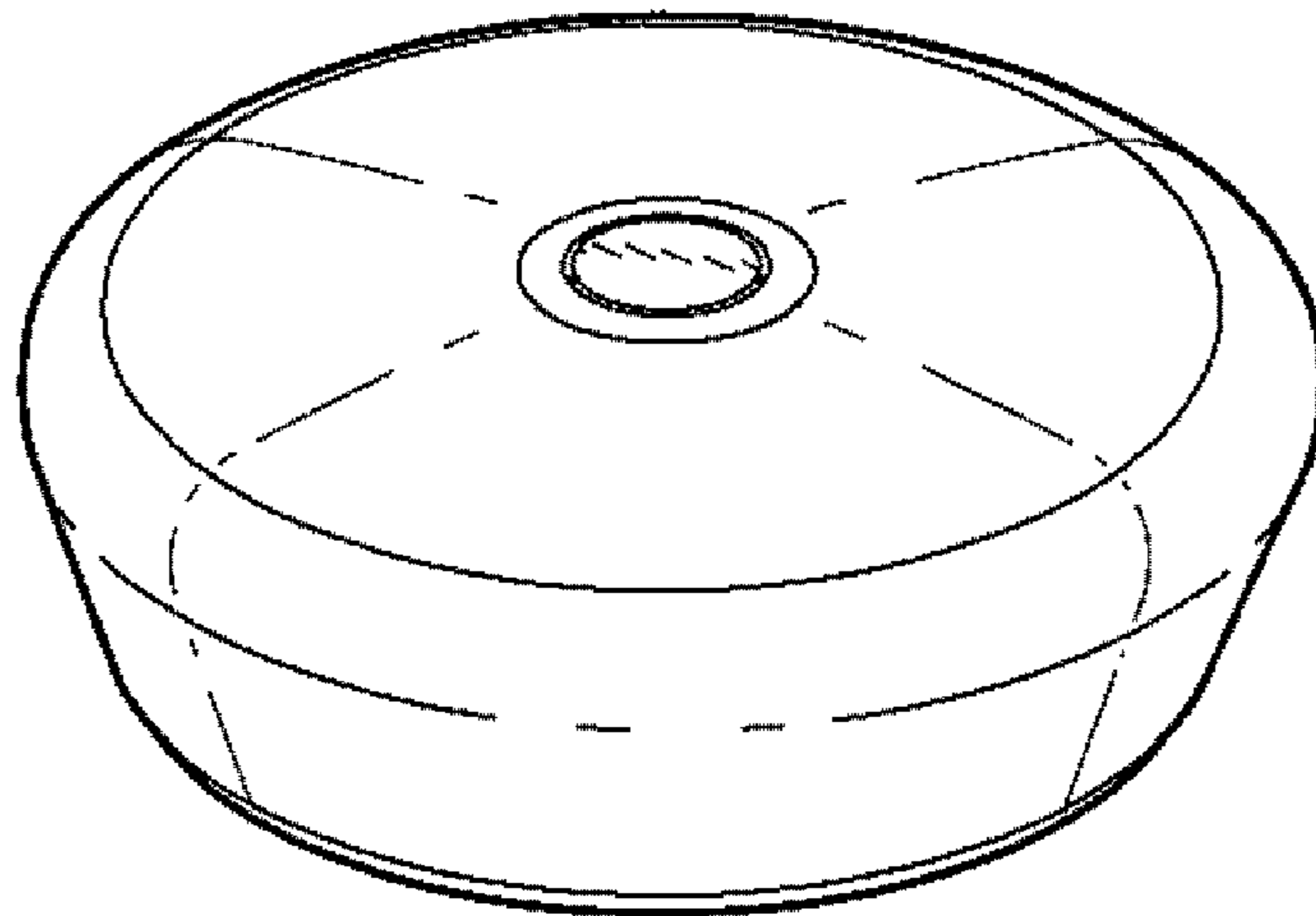
See application file for complete search history.

(56) **References Cited**

U.S. PATENT DOCUMENTS

D601,564 S * 10/2009 Maeno D14/400

1 Claim, 1 Drawing Sheet



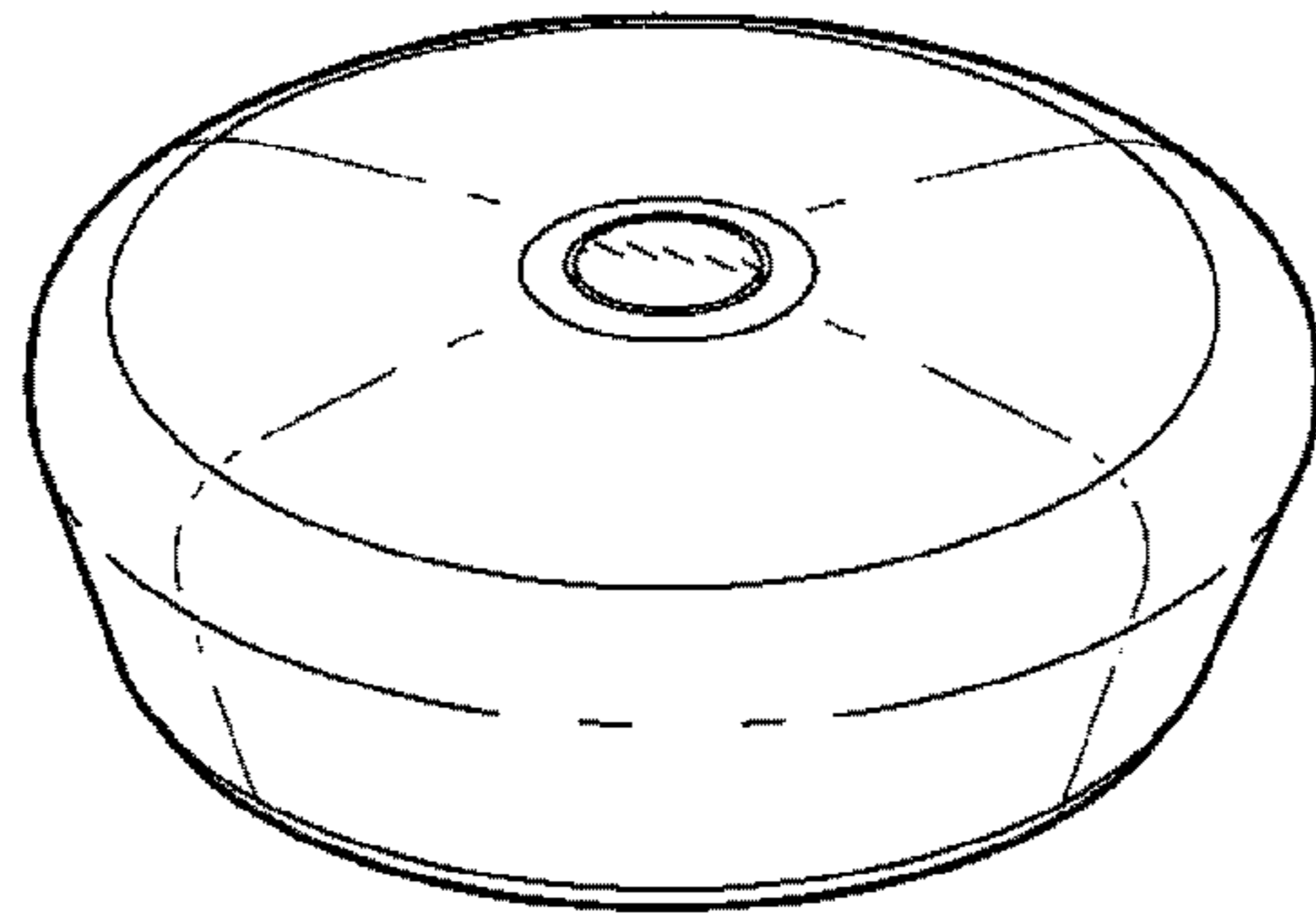


Fig-1

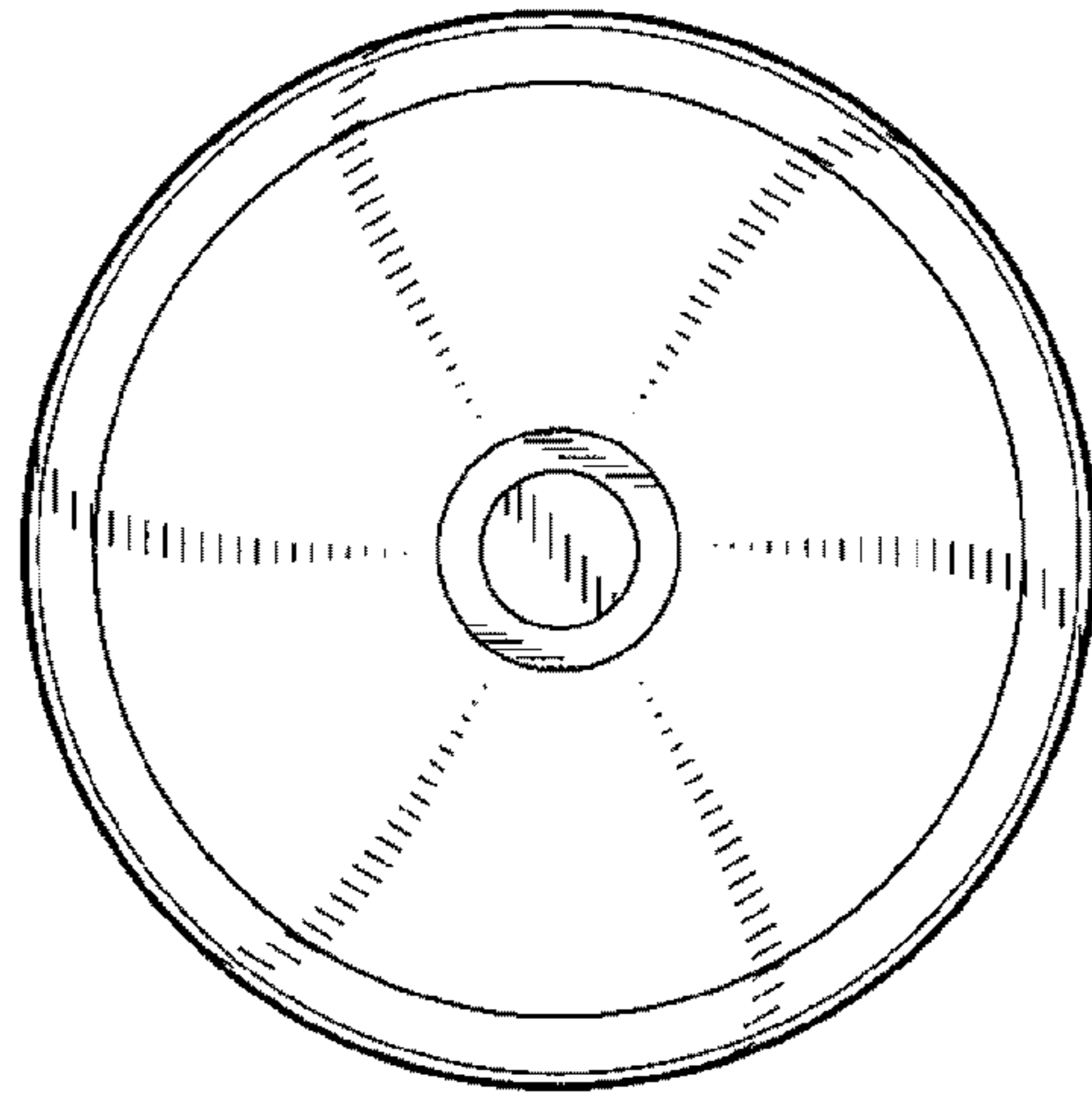


Fig-2

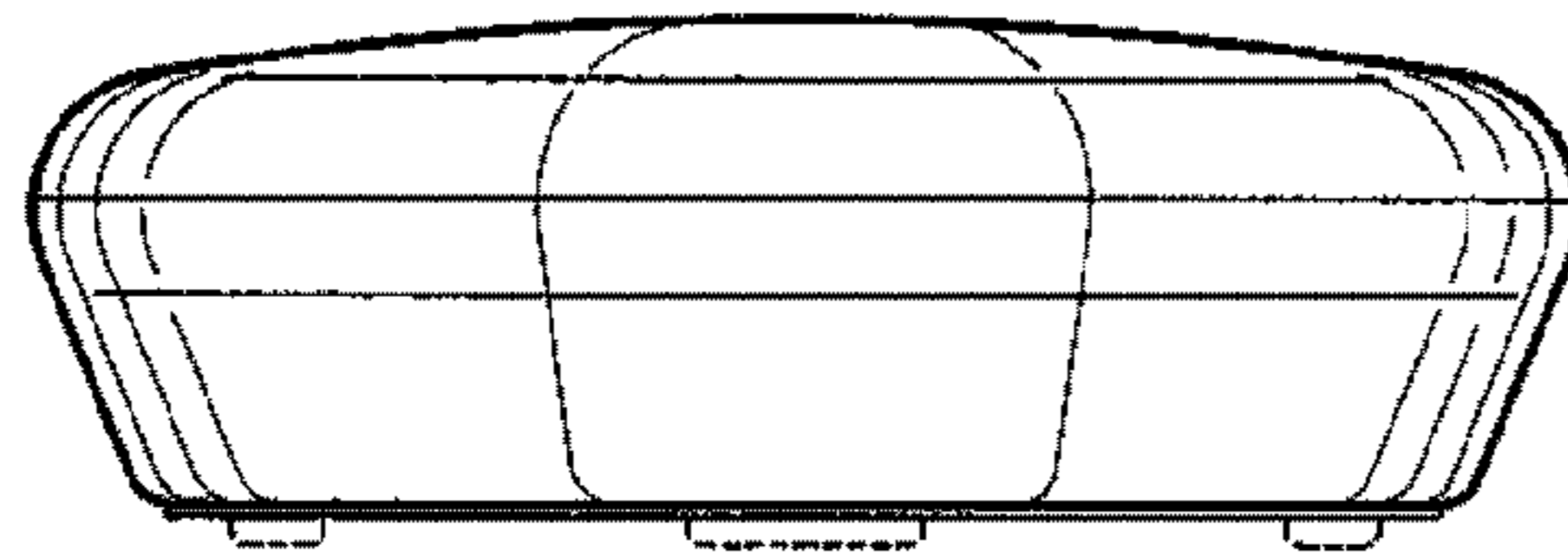


Fig-3

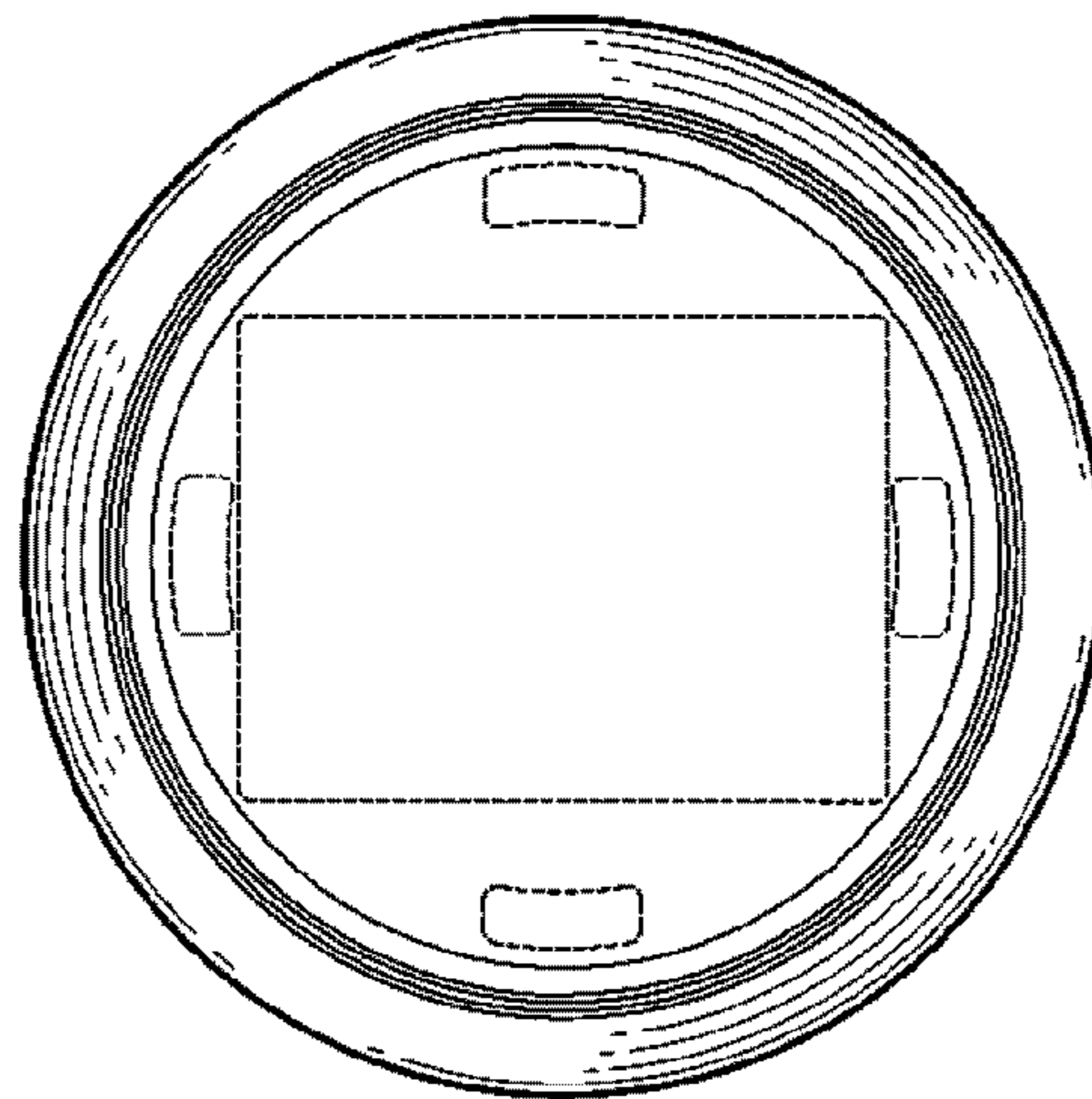


Fig-4