



US00D773946S

(12) **United States Design Patent**
Hoofnagle et al.

(10) **Patent No.:** **US D773,946 S**

(45) **Date of Patent:** **** Dec. 13, 2016**

(54) **HAND-HELD NETWORK TEST DEVICE**

(71) Applicant: **AirMagnet, Inc.**, Santa Clara, CA (US)

(72) Inventors: **Wayne S. Hoofnagle**, Kirkland, WA (US); **William H. Burke**, Shoreline, WA (US); **Tracy J. Kearsley**, Stanwood, WA (US)

(73) Assignee: **AirMagnet, Inc.**, Santa Clara, CA (US)

(**) Term: **15 Years**

(21) Appl. No.: **29/538,302**

(22) Filed: **Sep. 2, 2015**

(51) **LOC (10) Cl.** **10-04**

(52) **U.S. Cl.**
USPC **D10/78**

(58) **Field of Classification Search**
USPC D10/75, 78
CPC H04N 7/17309; H04N 17/00; H04N 21/42676; H04N 21/44209; H04N 21/44245; H04N 21/6118; H04N 21/6168; H04N 21/6543; H04L 12/2697; H04L 43/50; H04Q 2213/1332; H04Q 2213/1316; H04Q 2213/13166; H04Q 2213/13003; H04M 3/30

See application file for complete search history.

(56) **References Cited**

U.S. PATENT DOCUMENTS

- 4,912,755 A * 3/1990 Blood H04M 1/24 379/21
- 5,432,705 A * 7/1995 Severt G01R 15/12 379/21
- D363,440 S * 10/1995 Hoofnagle D10/78
- D365,033 S * 12/1995 Hoofnagle D10/78
- D389,759 S * 1/1998 Taylor D10/78

- 6,539,384 B1 * 3/2003 Zellner H04M 1/24 455/95
- 6,611,147 B2 * 8/2003 White G01R 31/021 324/538
- 6,629,269 B1 * 9/2003 Kahkoska H04L 12/2697 714/43
- 6,826,611 B1 * 11/2004 Arndt H04L 29/12216 370/252
- D510,533 S * 10/2005 Hoofnagle D10/78

(Continued)

Primary Examiner — Antoine D Davis

(74) *Attorney, Agent, or Firm* — Locke Lord LLP; Scott D. Wofsy; Christopher J. Capelli

(57) **CLAIM**

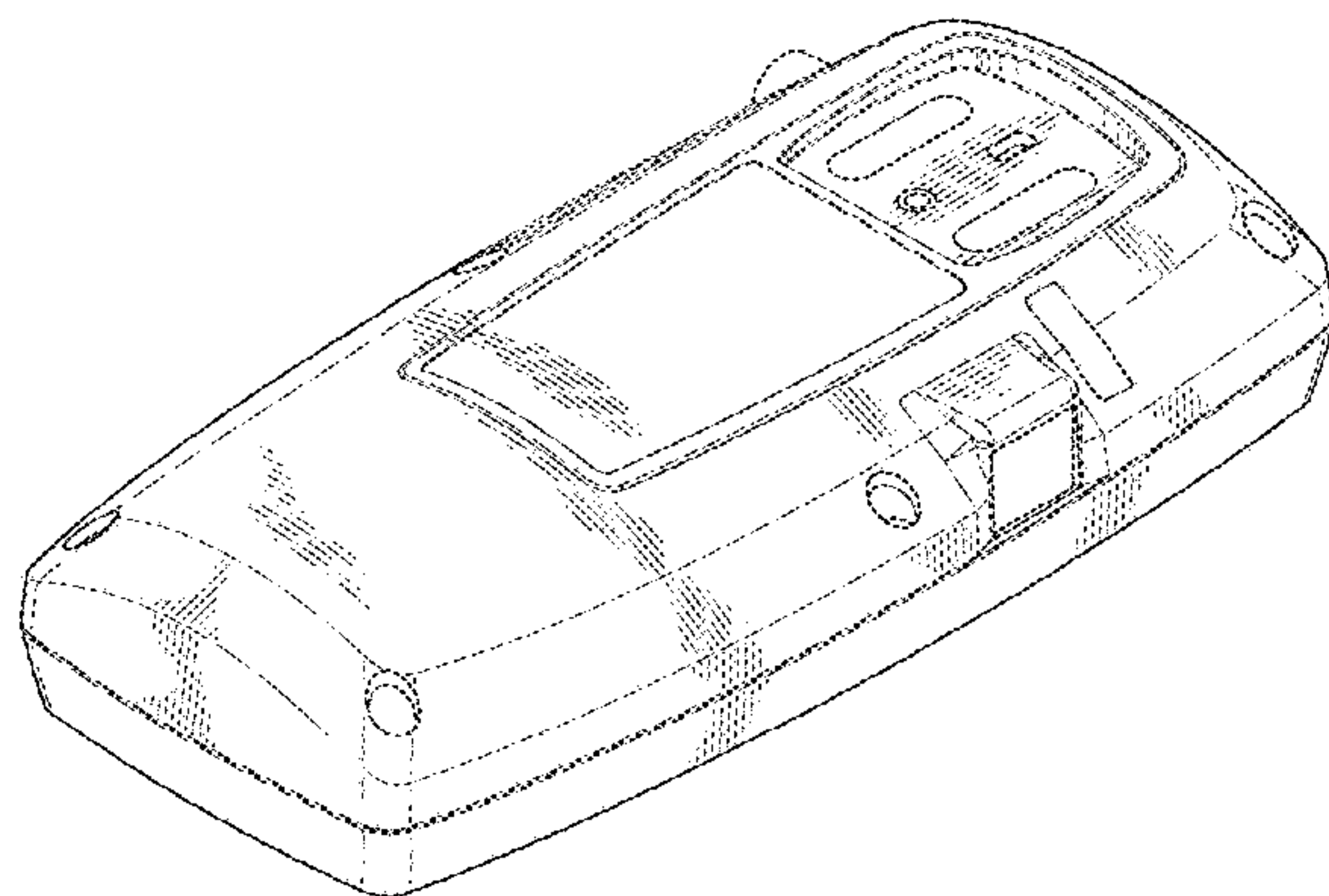
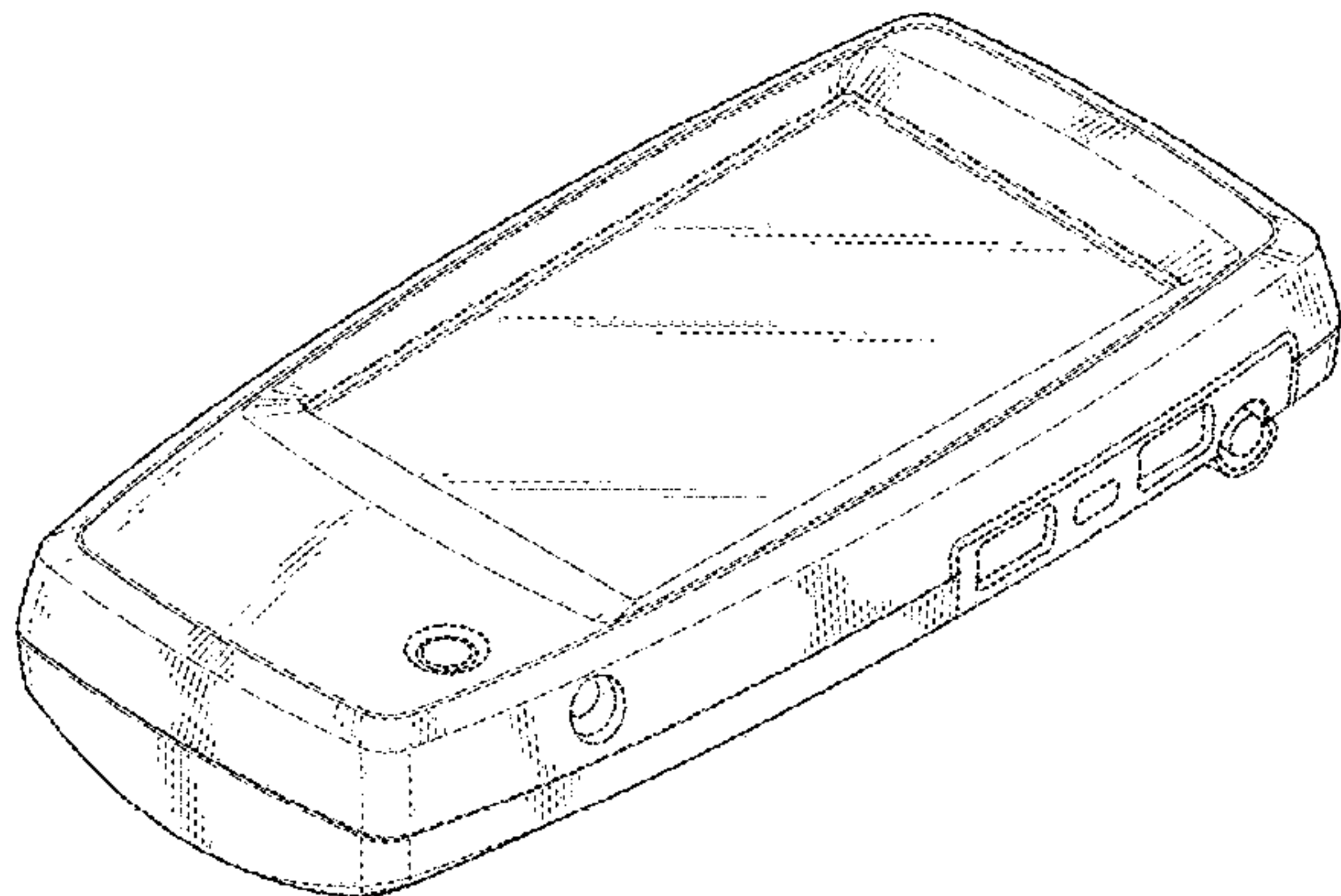
The ornamental design for a hand-held network test device, as shown and described.

DESCRIPTION

FIG. 1 is a bottom, front, and right side perspective view of a hand-held network test device;
 FIG. 2 is a bottom, rear, and left side perspective view of the hand-held network test device of FIG. 1;
 FIG. 3 is a left side view of the hand-held network test device of FIG. 1;
 FIG. 4 is a right side view of the hand-held network test device of FIG. 1;
 FIG. 5 is a front plan view of the hand-held network test device of FIG. 1;
 FIG. 6 is a rear plan view of the hand-held network test device of FIG. 1; and,
 FIG. 7 is a bottom plan view of the hand-held network test device of FIG. 1.

Surface shading is included to show the character and contour of the surfaces of three dimensional aspects of the design. The features illustrated in evenly-spaced dashed lines are included for the purpose of illustrating environmental structure and form no part of the claimed design.

1 Claim, 4 Drawing Sheets



(56)

References Cited

U.S. PATENT DOCUMENTS

D552,496 S * 10/2007 Janky D10/78
D569,749 S * 5/2008 Silverio D10/78
8,145,441 B2 * 3/2012 Xi G01P 1/127
360/75
D675,947 S * 2/2013 Janky D10/78
D714,171 S * 9/2014 Hoofnagle D10/78
9,344,335 B2 * 5/2016 Khalid H04L 43/16

* cited by examiner

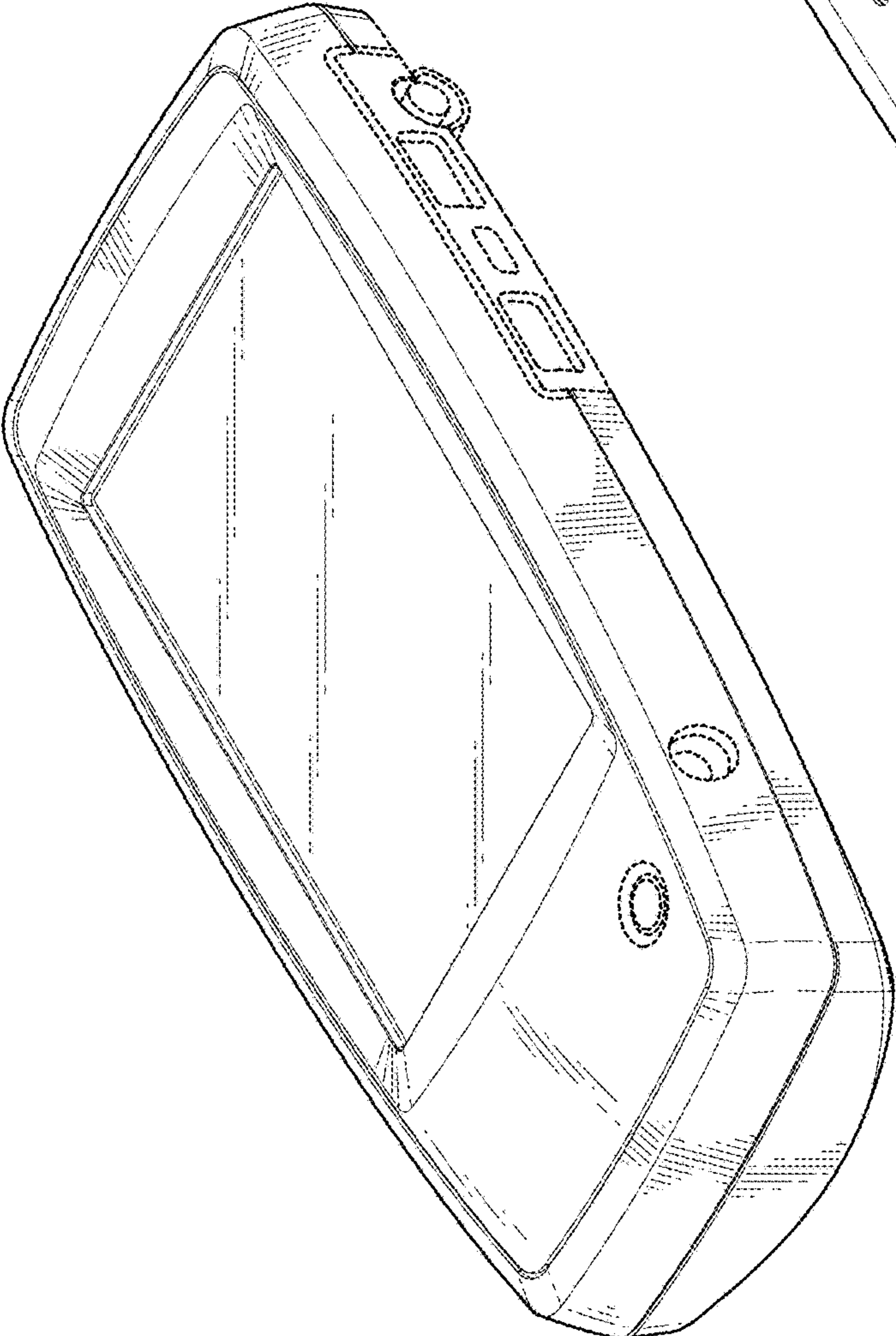


FIG. 1

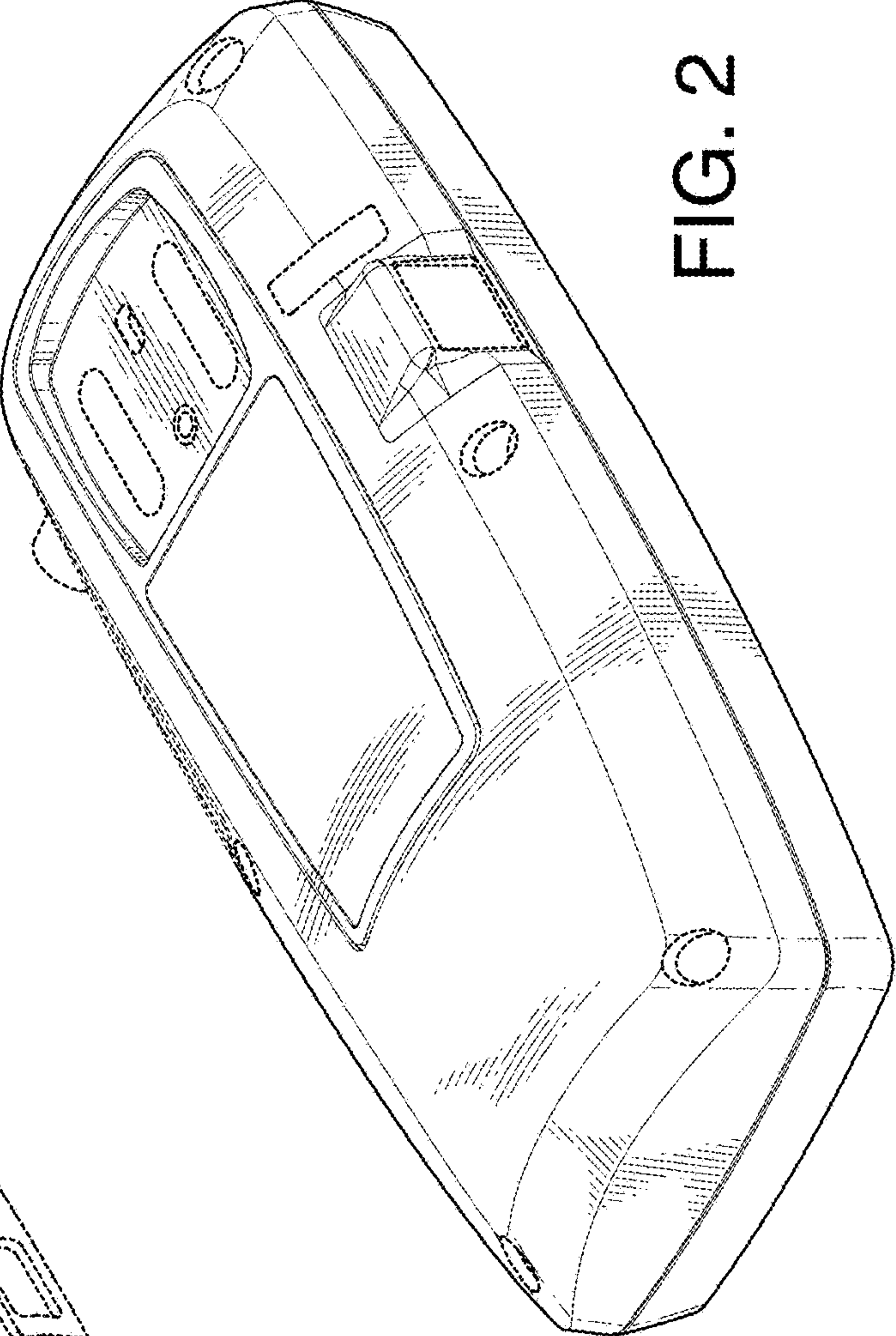


FIG. 2

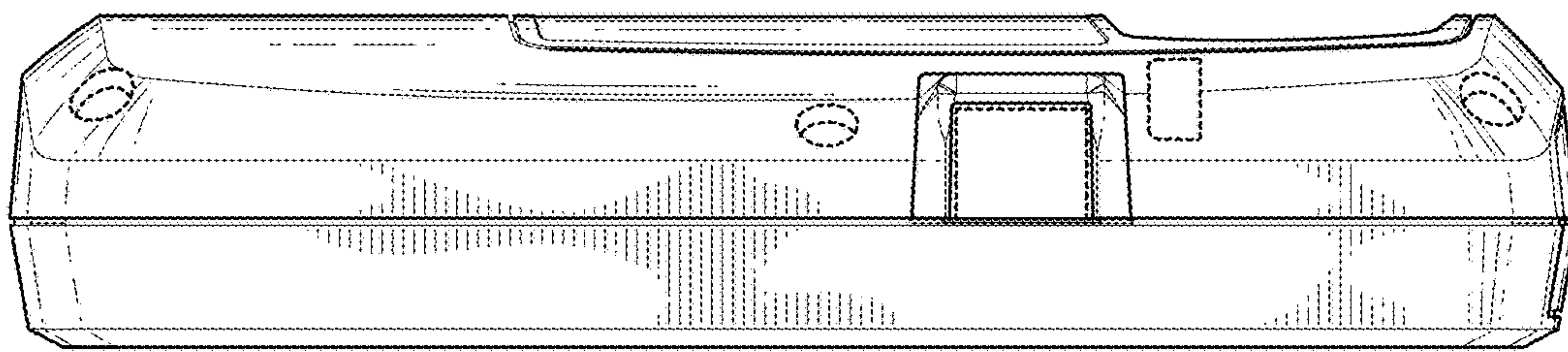


FIG. 3

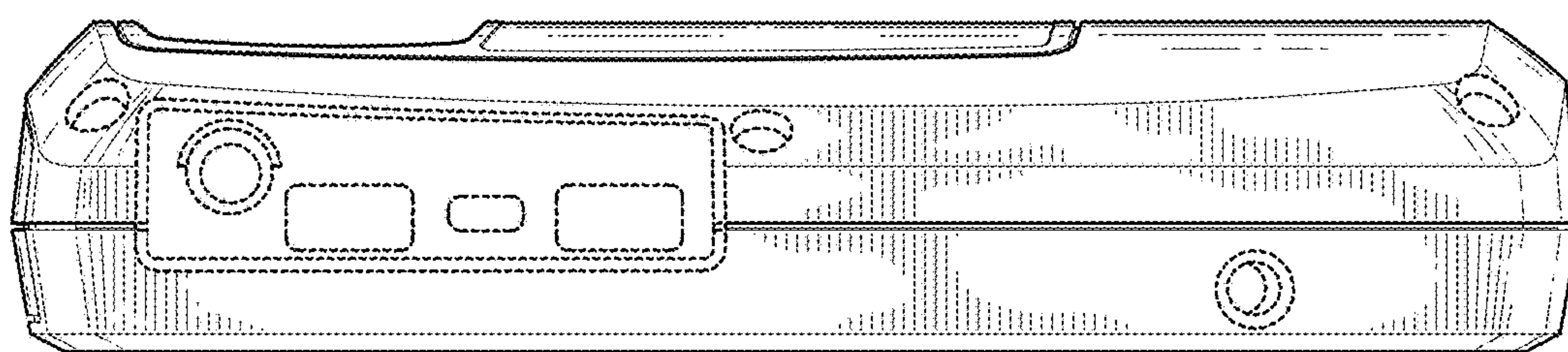


FIG. 4

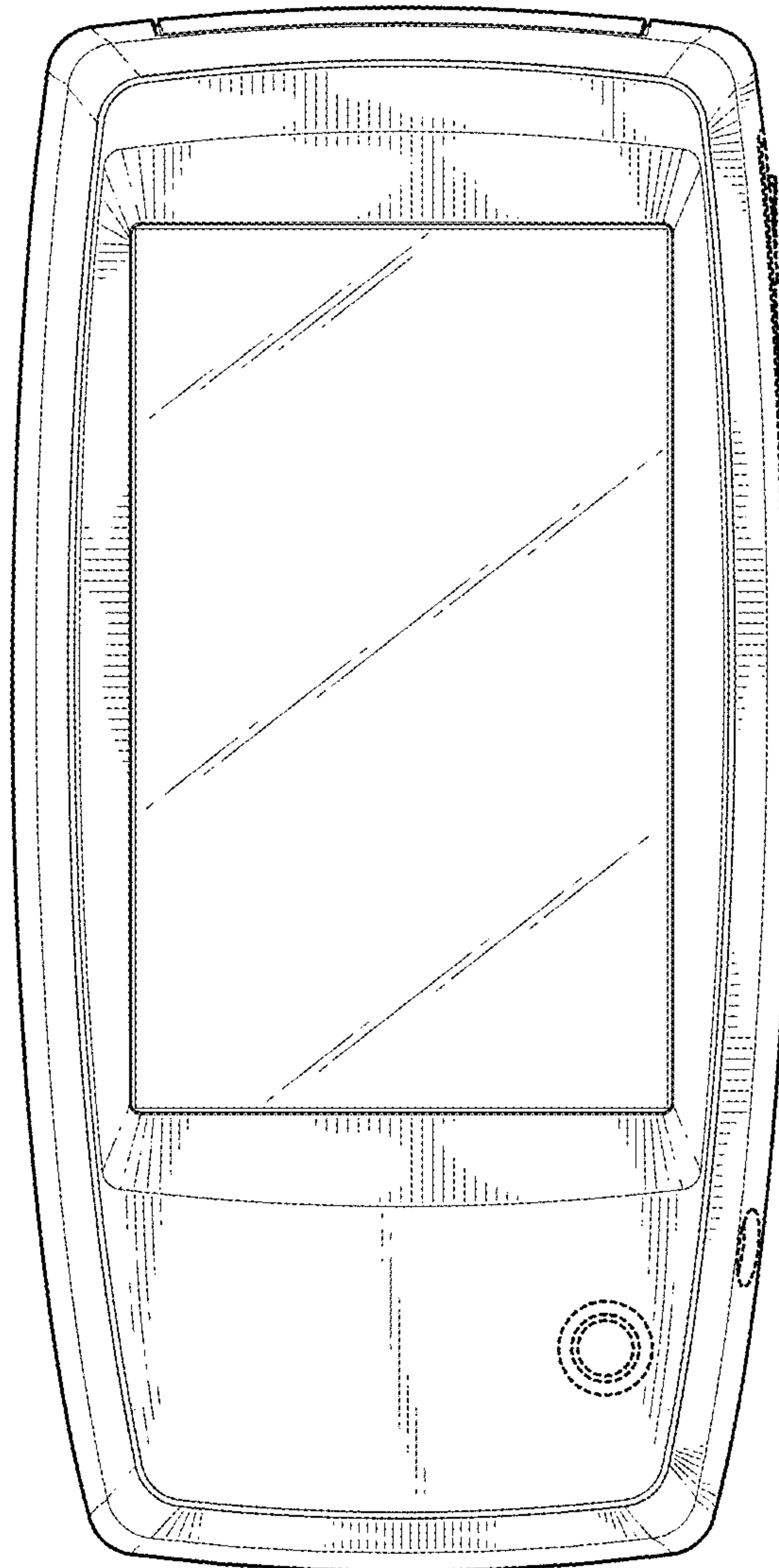


FIG. 5

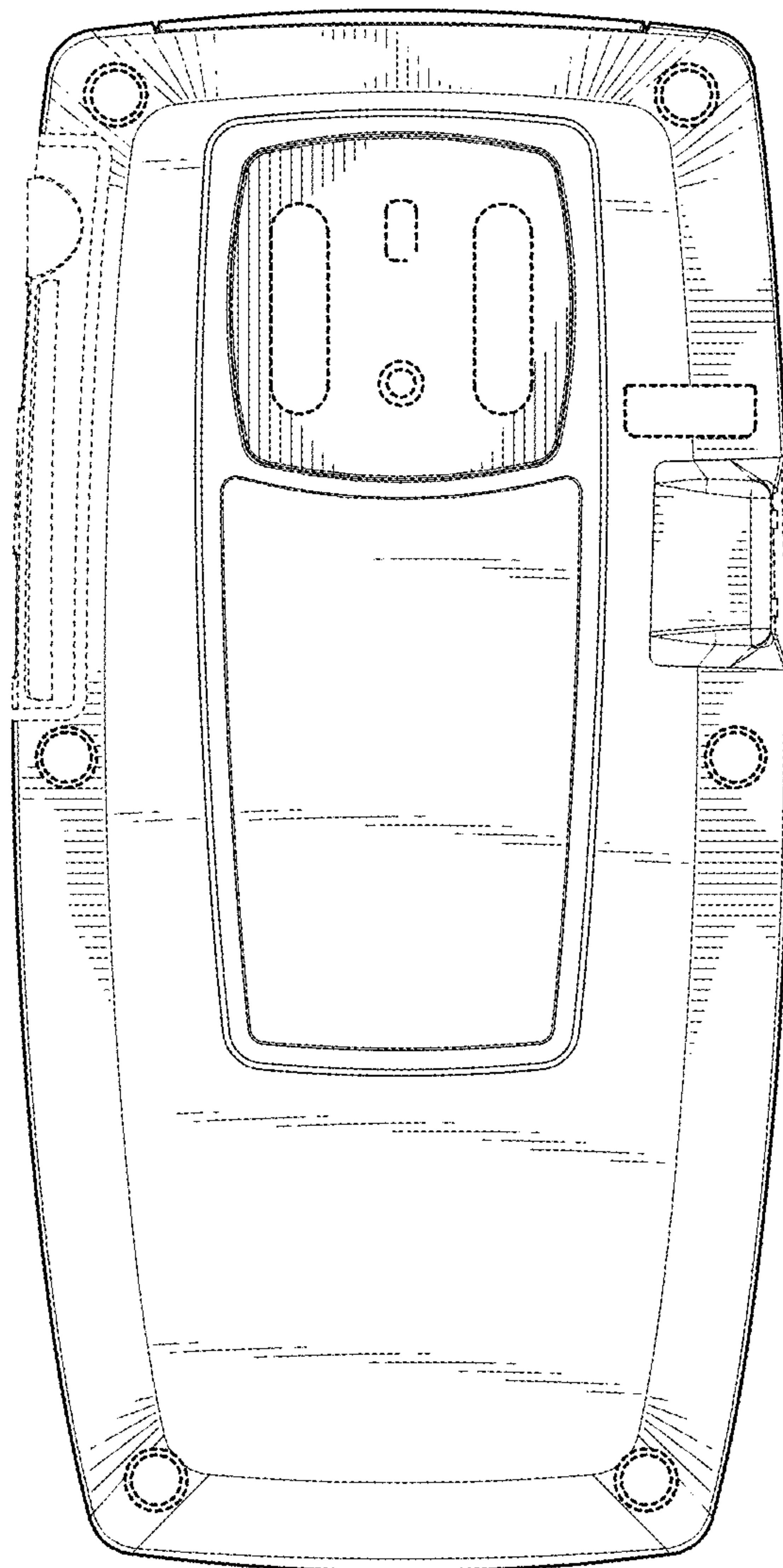


FIG. 6

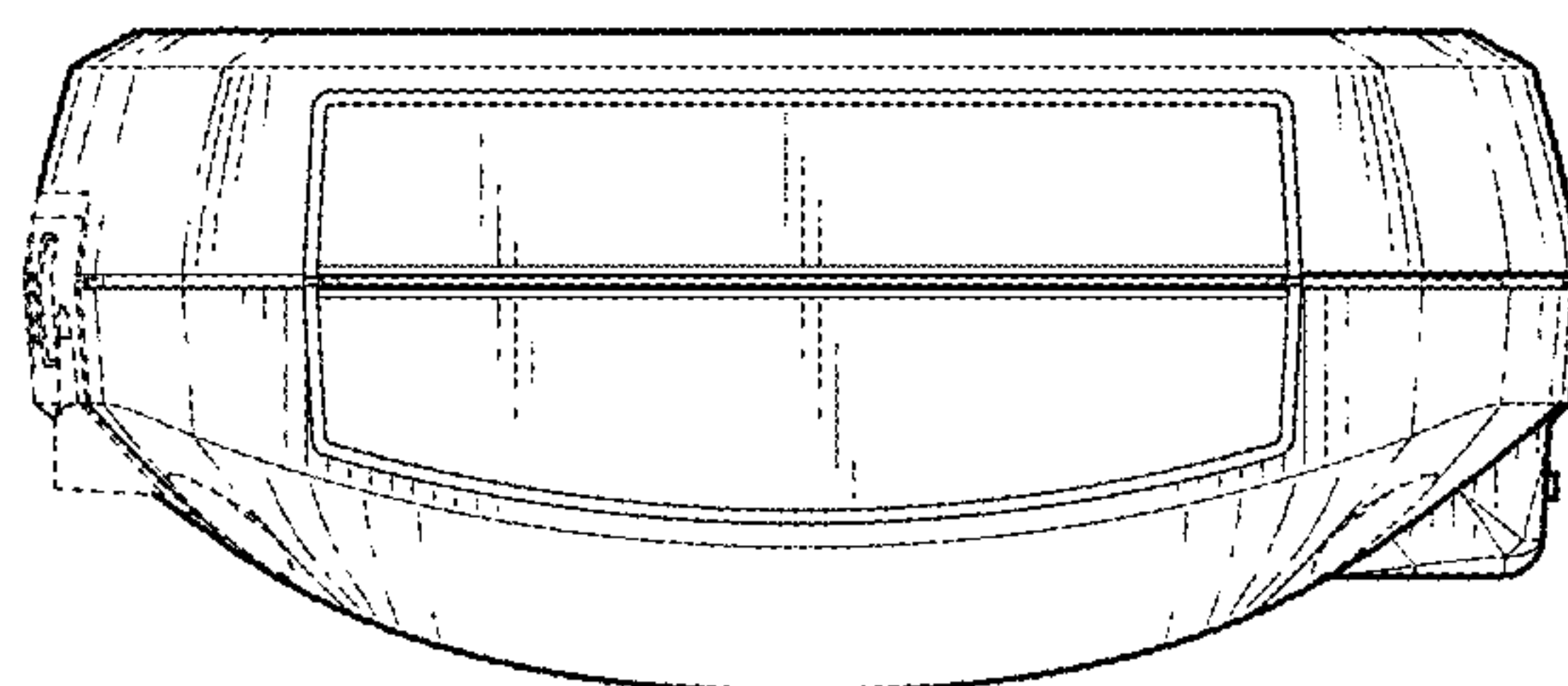


FIG. 7