



US00D773944S

(12) **United States Design Patent**
Wang

(10) **Patent No.:** **US D773,944 S**

(45) **Date of Patent:** **** Dec. 13, 2016**

(54) **WEARABLE DEVICE**

(71) Applicant: **HUAWEI TECHNOLOGIES CO., LTD.**, Shenzhen (CN)

(72) Inventor: **Xudong Wang**, Shenzhen (CN)

(73) Assignee: **Huawei Technologies Co., LTD.** (CN)

(**) Term: **15 Years**

(21) Appl. No.: **29/536,675**

(22) Filed: **Aug. 19, 2015**

(30) **Foreign Application Priority Data**

Feb. 28, 2015 (CN) 2015 3 0050877

(51) **LOC (10) Cl.** **10-04**

(52) **U.S. Cl.**
USPC **D10/70; D10/30; D10/98; D14/344; D24/167; D24/186**

(58) **Field of Classification Search**

USPC D10/30, 31, 32, 33, 34, 35, 36, 37, 38, D10/39, 65, 70, 78, 97, 98; D11/3; D14/138 R, 203.5, 203.6, 341, 344, D14/347; D24/167, 168, 186
CPC A44C 5/00-5/16; G04B 37/00-37/228; G04B 45/0069; G04B 19/00-19/34; G04B 21/12; G04B 23/12; G04B 47/00-47/068; G01C 17/00; G01C 21/00-21/3697

See application file for complete search history.

(56) **References Cited**

U.S. PATENT DOCUMENTS

D736,107 S * 8/2015 Lee D10/70
D739,942 S * 9/2015 Pernu D24/167
D758,212 S * 6/2016 Candamil D10/32

* cited by examiner

Primary Examiner — Antoine D Davis

(74) *Attorney, Agent, or Firm* — Design IP

(57) **CLAIM**

The ornamental design for a wearable device, as shown and described.

DESCRIPTION

FIG. 1 is a front view of a wearable device showing my new design;

FIG. 2 is a rear view thereof;

FIG. 3 is a right side view thereof;

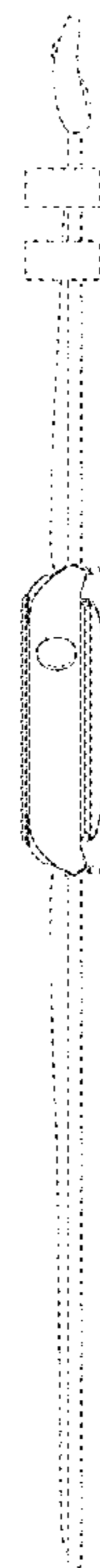
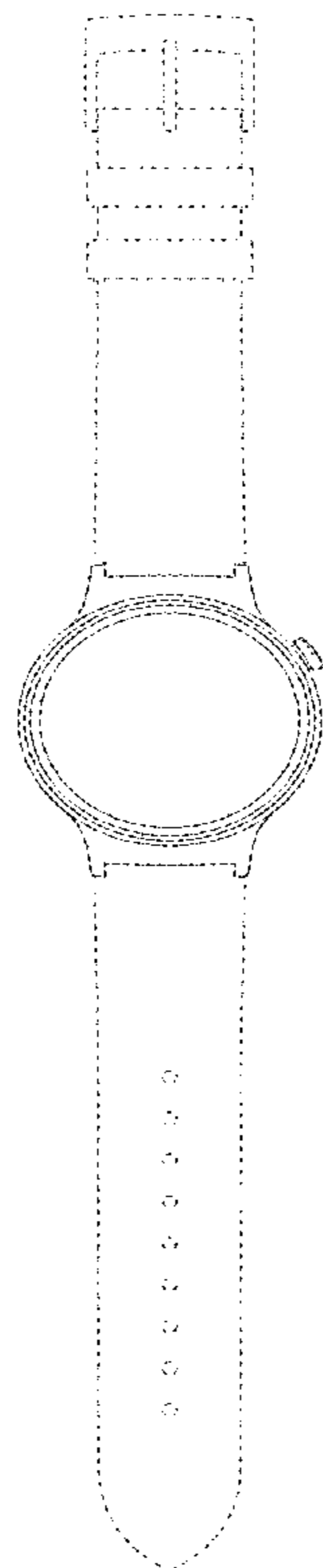
FIG. 4 is a left side view thereof;

FIG. 5 is a top view thereof; and,

FIG. 6 is a bottom view thereof.

The broken lines appearing in FIGS. 1-5 represent environmental subject matter only and form no part of the claimed design. The broken lines showing of a wrist strap in FIGS. 1-4 has been omitted in FIGS. 5-6 in order to avoid obscuring portions of the claimed design.

1 Claim, 6 Drawing Sheets



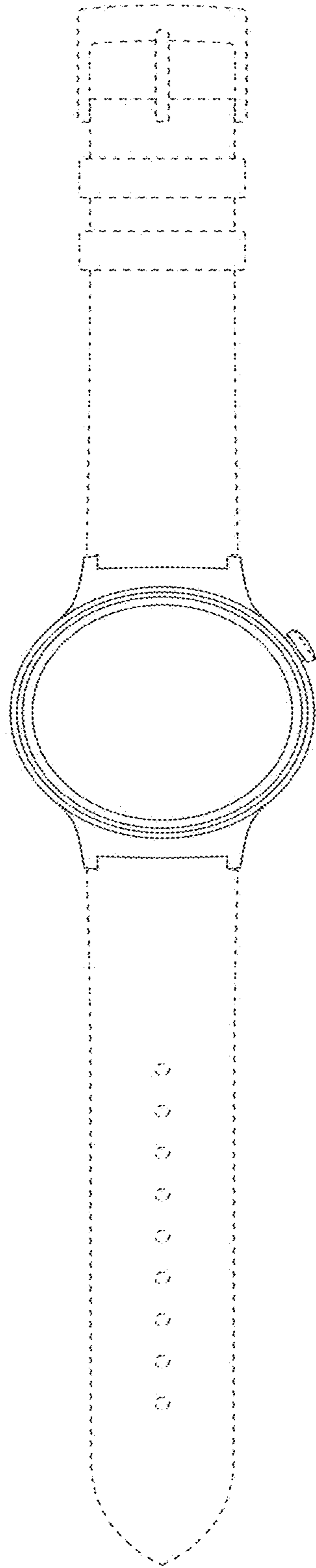


FIG. 1

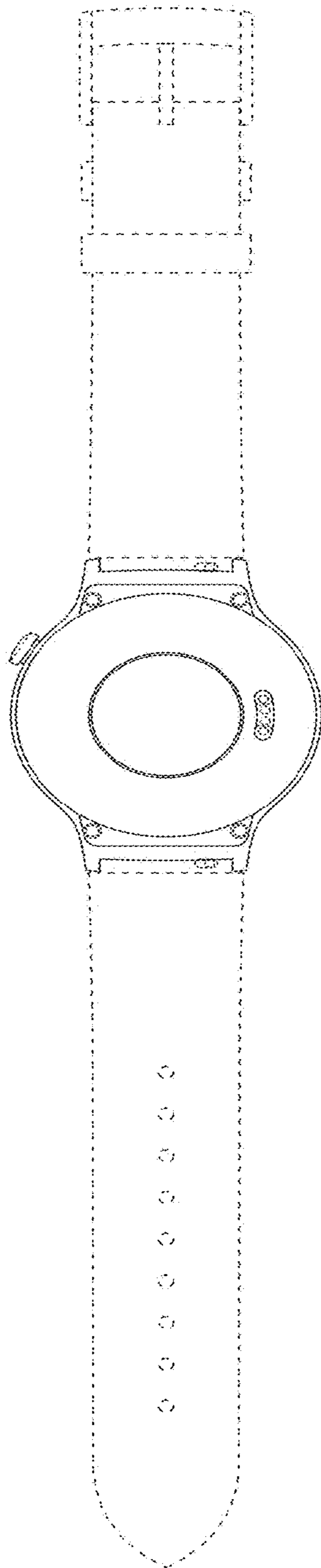


FIG. 2

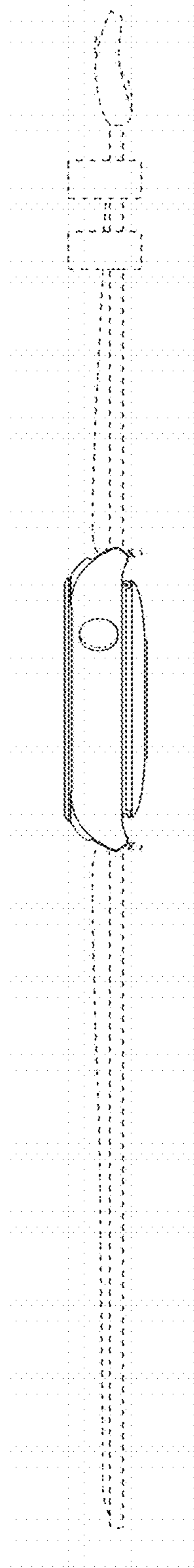


FIG. 3

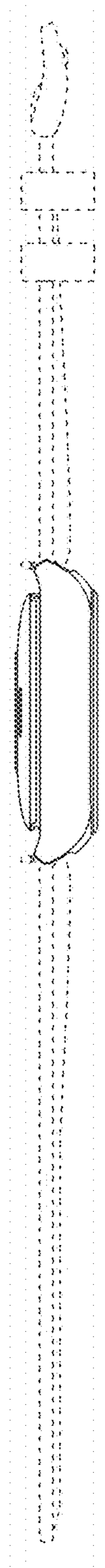


FIG. 4

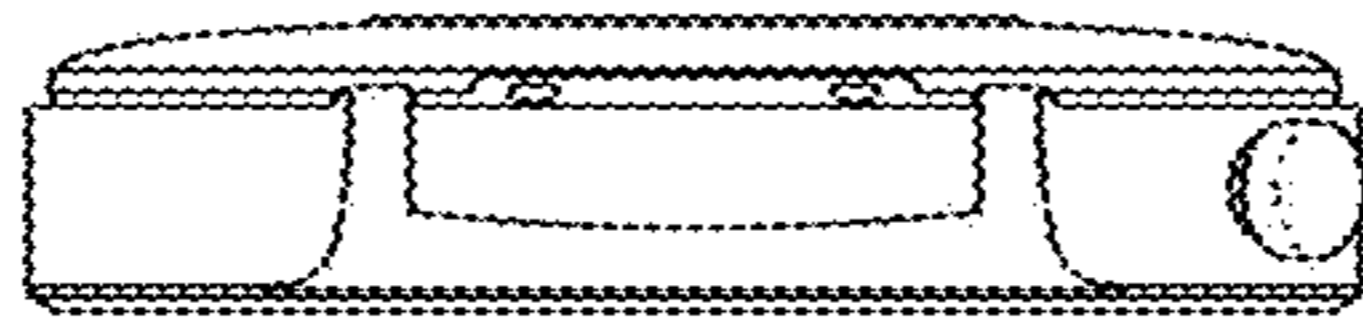


FIG. 5

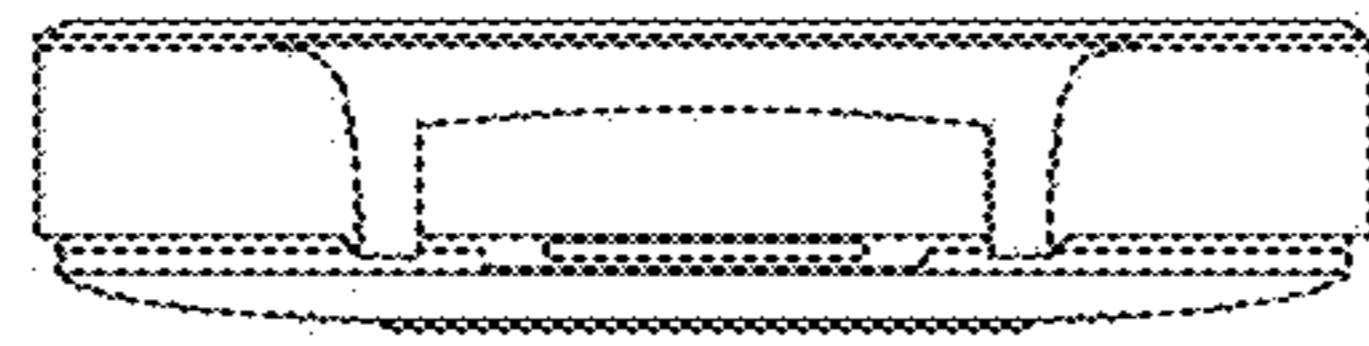


FIG. 6