



US00D773942S

(12) **United States Design Patent**
Kweton

(10) **Patent No.:** **US D773,942 S**

(45) **Date of Patent:** **** Dec. 13, 2016**

(54) **WATCH**

(71) Applicant: **Paul Kweton**, Houston, TX (US)

(72) Inventor: **Paul Kweton**, Houston, TX (US)

(**) Term: **15 Years**

(21) Appl. No.: **29/529,740**

(22) Filed: **Jun. 10, 2015**

(51) **LOC (10) Cl.** **10-02**

(52) **U.S. Cl.**
USPC **D10/38**

(58) **Field of Classification Search**
USPC D10/30-39, 1-29, 122-132
CPC G04B 19/00; G04B 19/18; G04B 37/00;
G04B 37/0008; G04B 37/0058; G04B
37/1486; G04B 45/00; G04B
45/0069; G04G 5/00; G04G 5/04; G04G
9/00; G04G 9/0064; G04G 9/0094; G04G
9/025

See application file for complete search history.

(56) **References Cited**

U.S. PATENT DOCUMENTS

- 3,789,601 A * 2/1974 Bergey G04G 5/04
368/239
- 4,067,185 A * 1/1978 Huguenin G04G 9/025
349/142
- 4,488,818 A * 12/1984 Saurer G04G 9/0094
368/242
- D361,278 S * 8/1995 Riley D10/30
- D413,526 S * 9/1999 Perrin D10/30

- D439,172 S * 3/2001 Brzezinski D10/30
- D494,070 S * 8/2004 Debetaz D10/32
- D528,928 S * 9/2006 Burton D10/38
- D568,181 S * 5/2008 Rabassa D10/39
- D628,498 S * 12/2010 Arellano D10/38
- D645,360 S * 9/2011 Kiser D10/32
- D672,256 S * 12/2012 Behar D10/39
- 2003/0125077 A1 * 7/2003 Lee G04G 9/0064
455/556.1

* cited by examiner

Primary Examiner — Sandra Snapp

(74) *Attorney, Agent, or Firm* — Buche & Associates,
P.C.; John K. Buche; Bryce A. Johnson

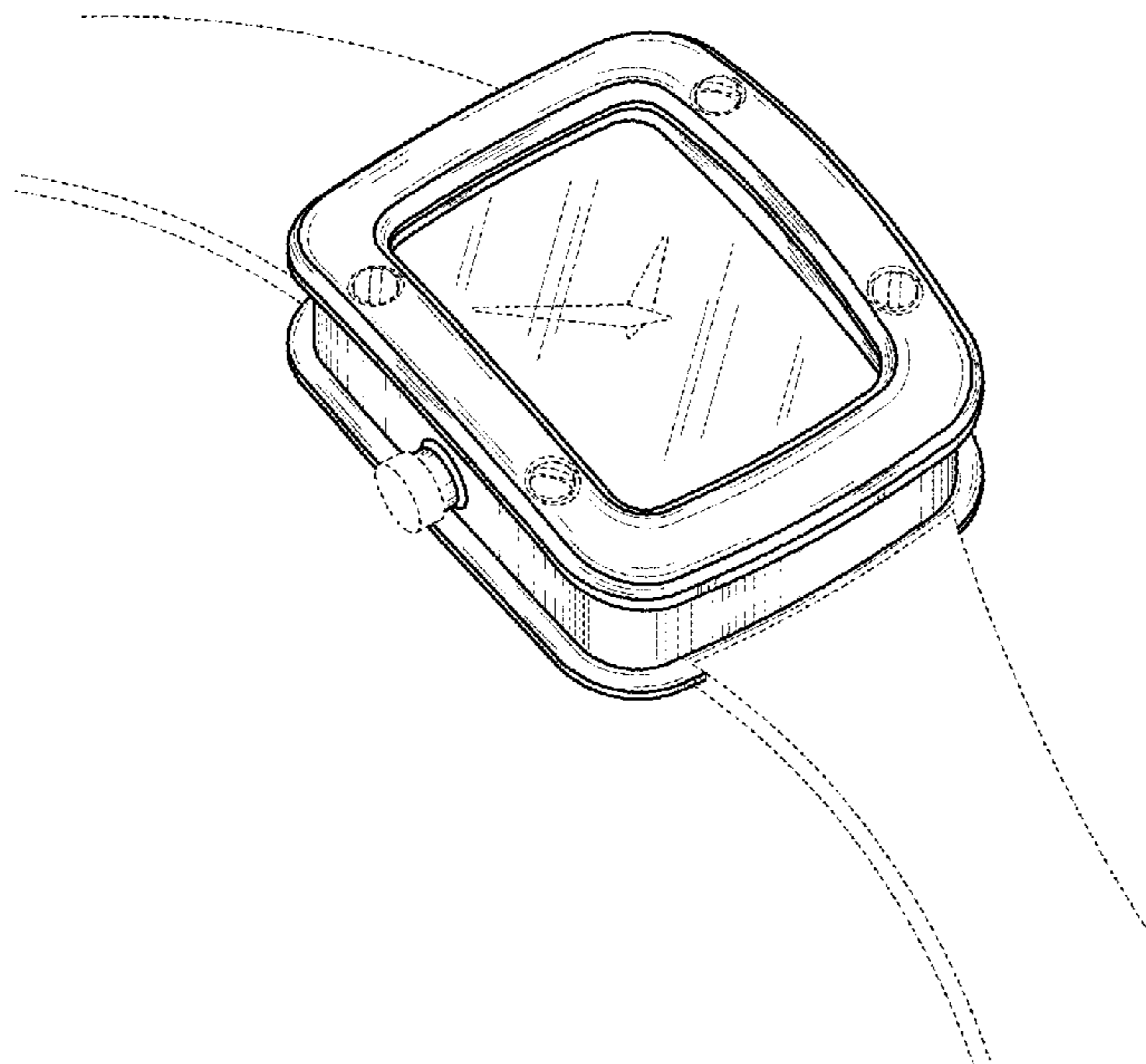
(57) **CLAIM**

The ornamental design for a watch, as shown and described.

DESCRIPTION

FIG. 1 is a top, left front perspective view of a watch showing my new design;
 FIG. 2 is a top plan view thereof;
 FIG. 3 is a bottom plan view thereof;
 FIG. 4 is a left side elevational view thereof;
 FIG. 5 is a right side elevational view thereof;
 FIG. 6 is a front elevational view thereof;
 FIG. 7 is a rear elevational view thereof; and,
 FIG. 8 is a top, left front perspective view, shown in use.
 The structural features depicted by broken lines in the drawings have been shown for the purpose of illustrating portions of the watch that form no part of the claimed design. The hand and arm portion depicted by broken lines in FIG. 8 has been shown for the purpose of illustrating environment that forms no part of the claimed design.

1 Claim, 4 Drawing Sheets



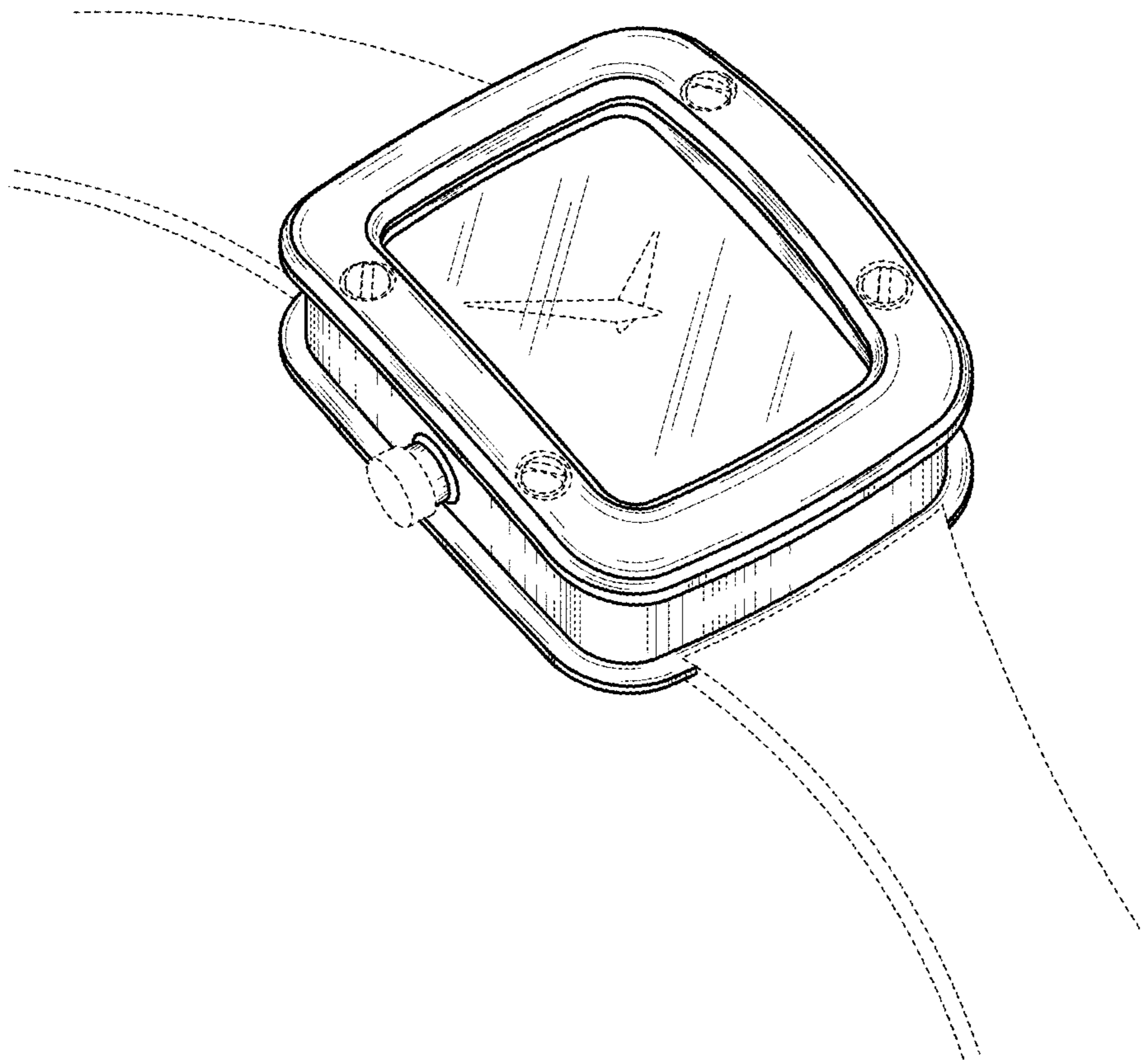


FIG. 1

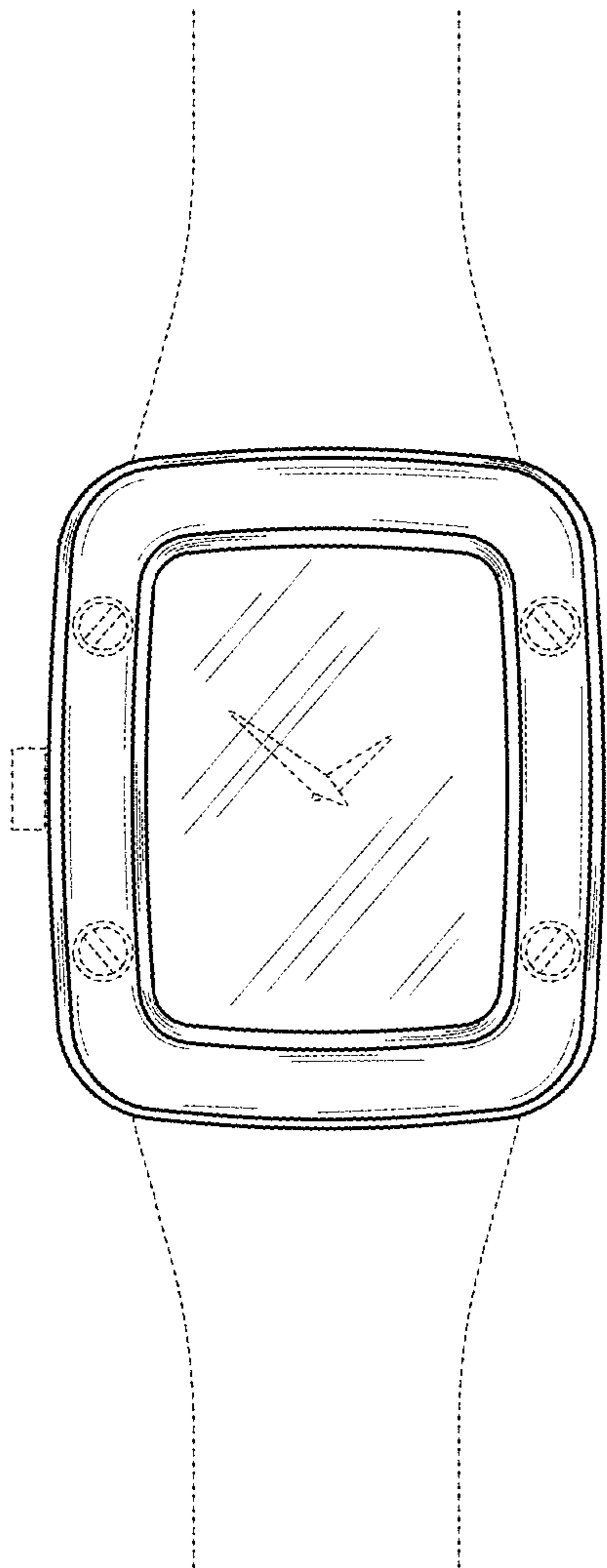


FIG. 2

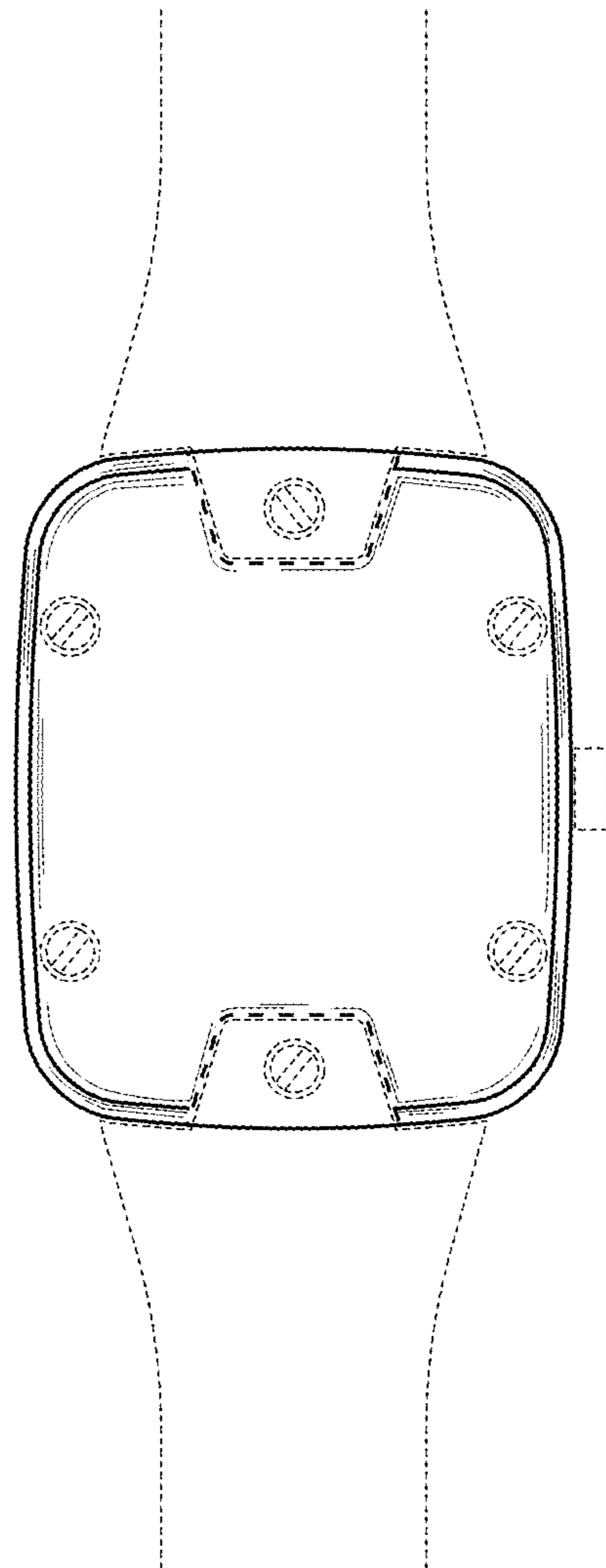


FIG. 3

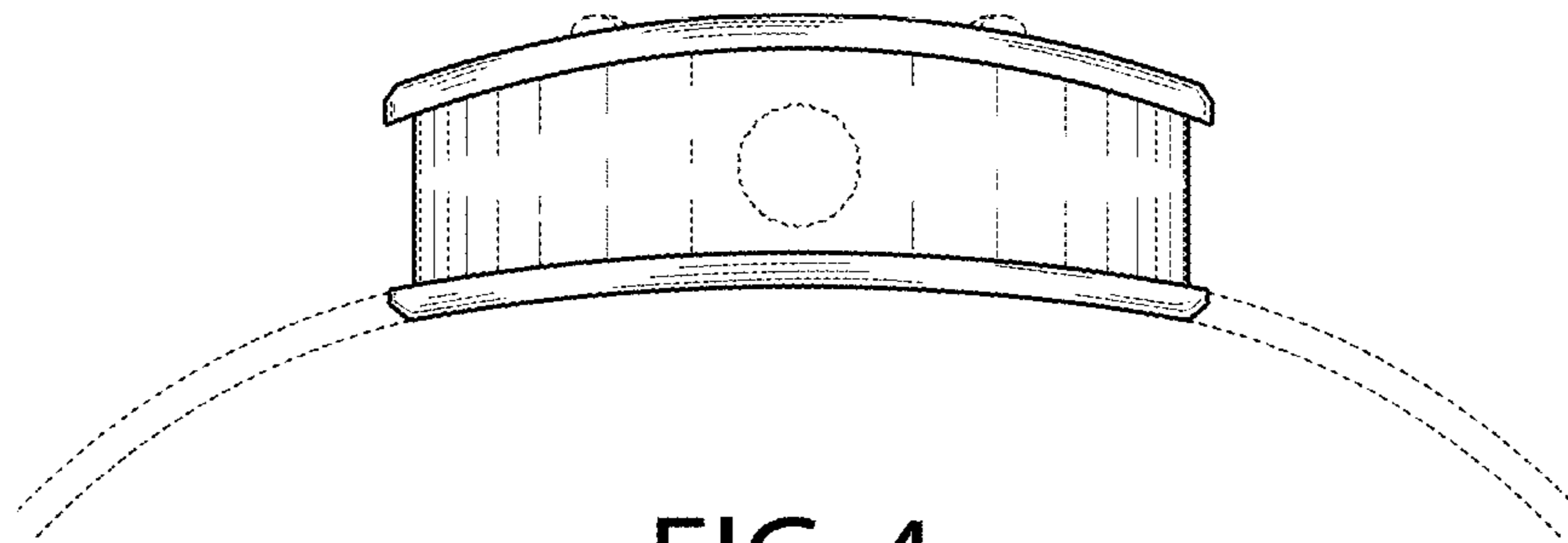


FIG. 4

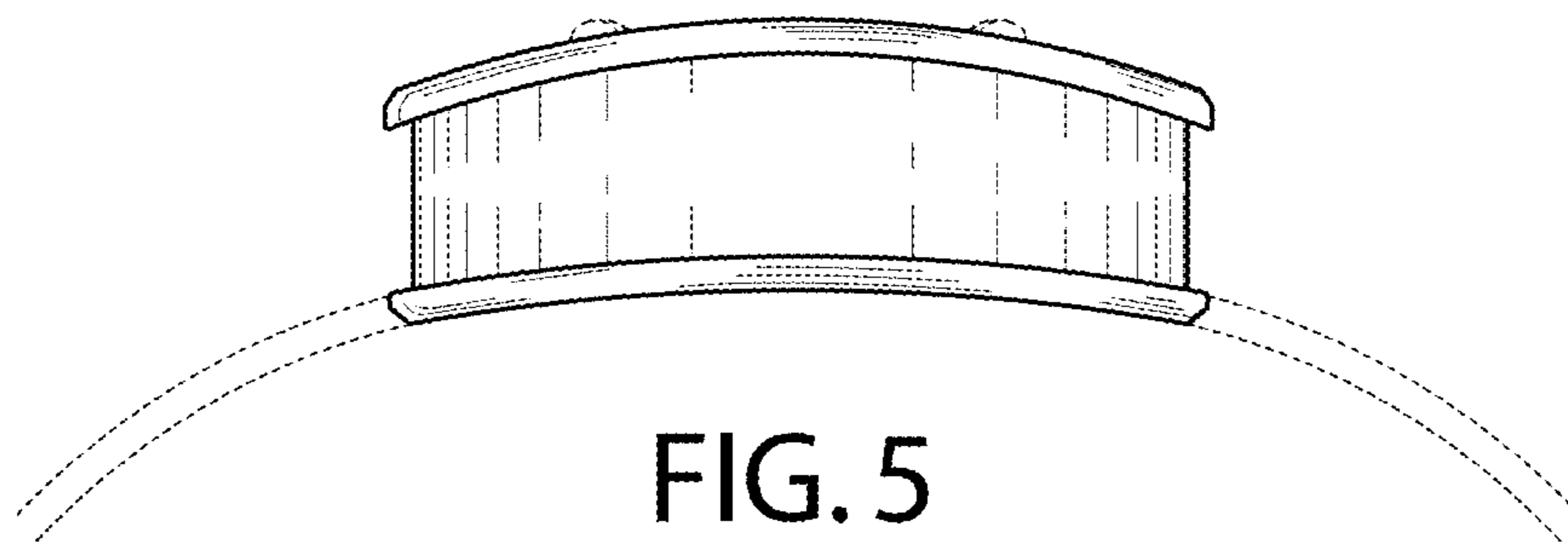


FIG. 5

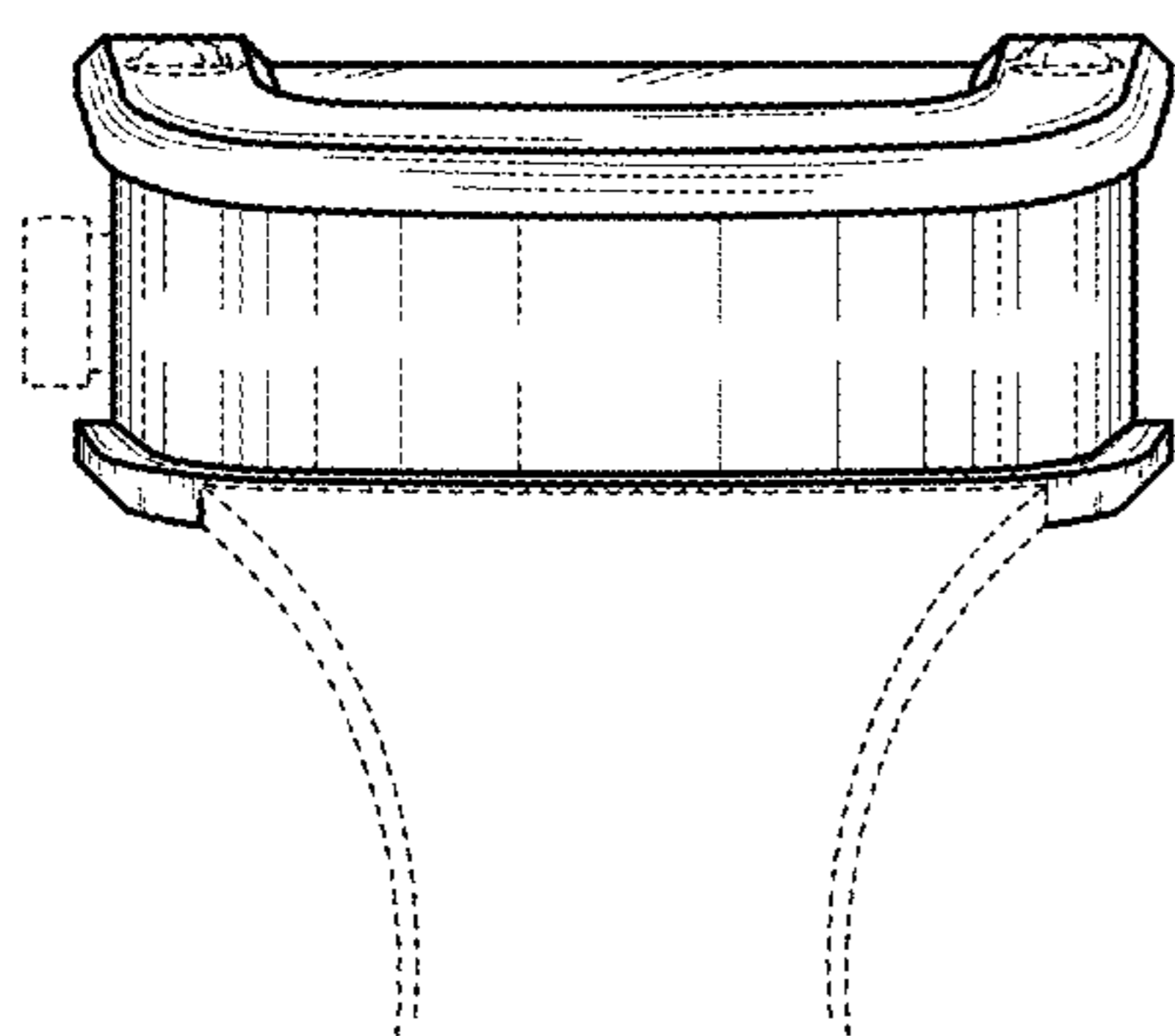


FIG. 6

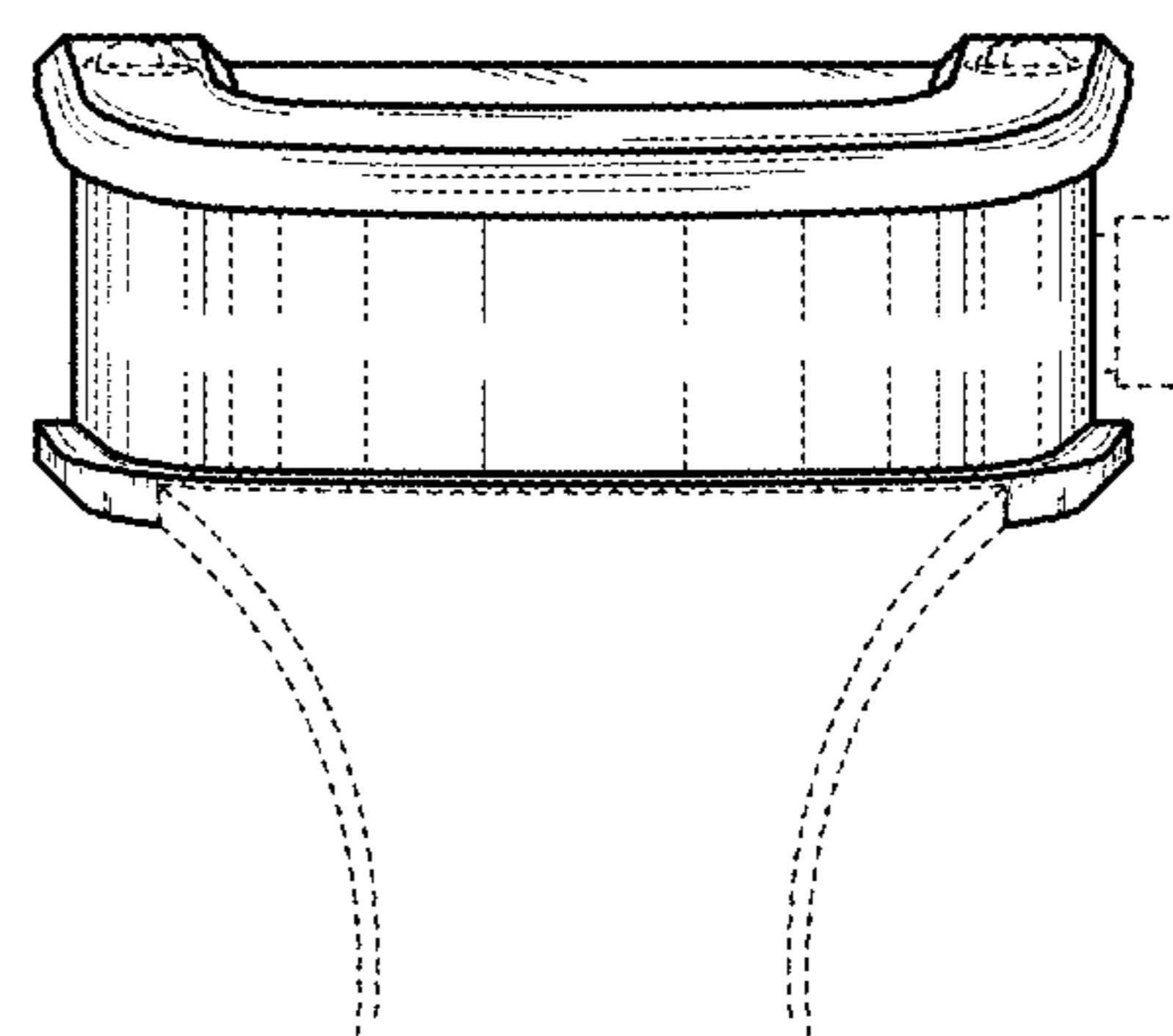


FIG. 7

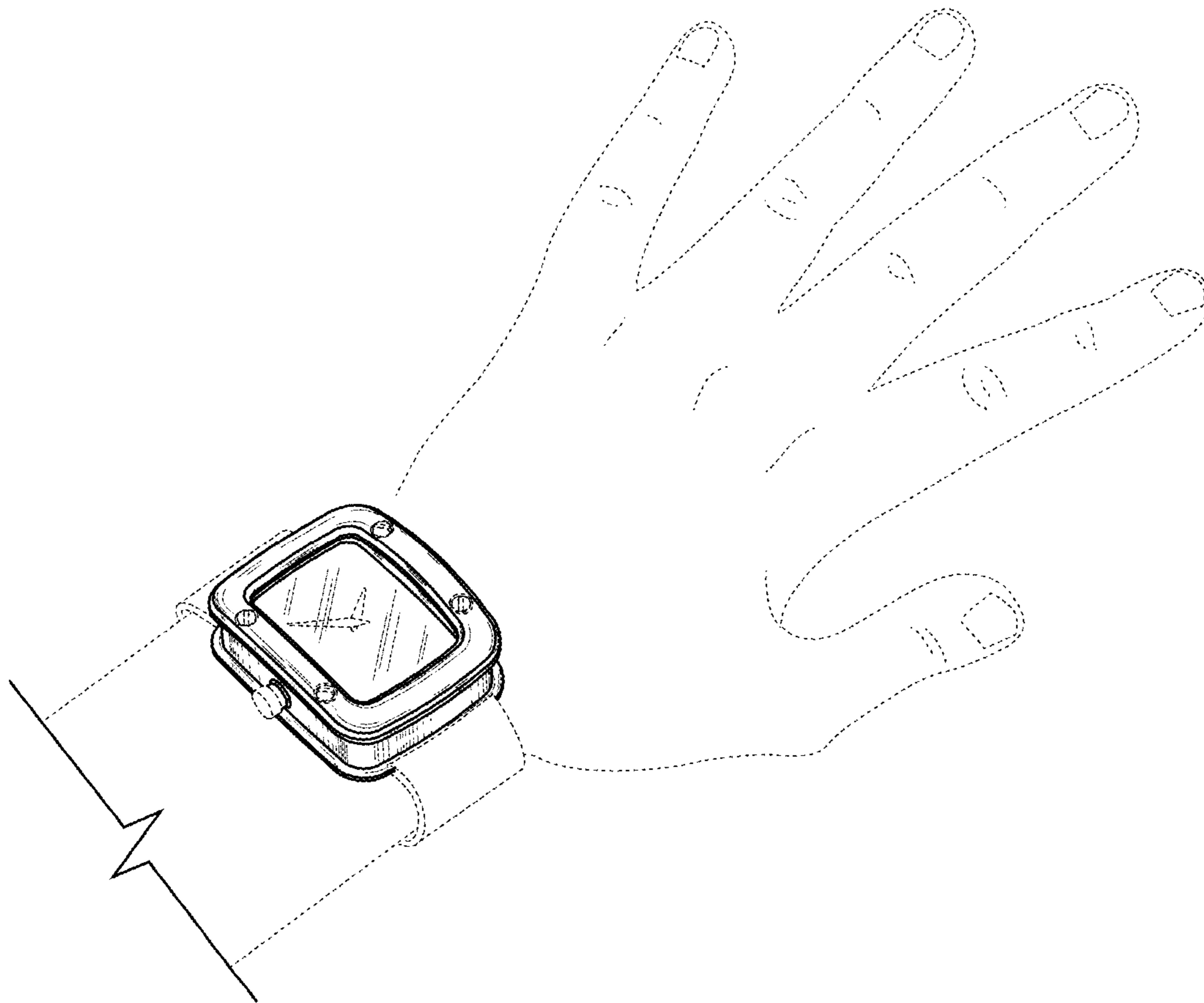


FIG. 8