

US00D773941S

(12) **United States Design Patent** (10) **Patent No.:** **US D773,941 S**  
**Holzer** (45) **Date of Patent:** **\*\* Dec. 13, 2016**

(54) **ALARM CLOCK**  
(71) Applicant: **Eric Holzer**, Piscataway, NJ (US)  
(72) Inventor: **Eric Holzer**, Piscataway, NJ (US)  
(73) Assignee: **SDI TECHNOLOGIES, INC.**,  
Rahway, NJ (US)  
(\*\*) Term: **14 Years**  
(21) Appl. No.: **29/523,262**

D704,576 S \* 5/2014 Slaker ..... D10/60  
D717,759 S \* 11/2014 Choi ..... D10/38  
D722,512 S \* 2/2015 Silberberg ..... D10/69  
D724,047 S \* 3/2015 Kim ..... D10/38  
D730,225 S \* 5/2015 Behar ..... D10/103  
D731,898 S \* 6/2015 Squires ..... D10/30  
D733,682 S \* 7/2015 Kelly ..... D14/215  
D745,831 S \* 12/2015 Hopp ..... D10/85  
D752,579 S \* 3/2016 Lee ..... D14/344  
D753,093 S \* 4/2016 Garfio ..... D14/214  
D755,161 S \* 5/2016 Brunner ..... D14/216  
D758,212 S \* 6/2016 Candamil ..... D10/32  
D758,989 S \* 6/2016 Vogt, Jr. .... D14/204  
2015/0063619 A1\* 3/2015 Wenger ..... H04R 1/026  
381/334

(22) Filed: **Apr. 8, 2015**  
(51) **LOC (10) Cl.** ..... **10-01**  
(52) **U.S. Cl.**  
USPC ..... **D10/22; D14/221**  
(58) **Field of Classification Search**  
USPC ..... D10/21, 22, 25, 32, 38, 39, 46.1, 47,  
49, D10/60, 61, 69, 74, 77, 83, 89, 90, 94,  
104.1, D10/104.2, 106.5, 106.6, 118.2,  
126; D14/159, D14/172, 204, 216, 221,  
380, 398, 408, 420, D14/480.1, 483,  
484.1, 497, 507, 509, 511  
CPC ..... G06F 1/16; G06F 17/30; G04G 21/00;  
G04C 10/00; A61B 5/024; H01Q 1/27  
See application file for complete search history.

(Continued)

**OTHER PUBLICATIONS**

“Groov-e Bluetooth Wireless Playback alarm clock” Amazon. First comment: Nov. 12, 2014. <https://www.amazon.co.uk/Groov-e-Bluetooth-Wireless-Playback-Charging/dp/B00JY6WB3A>.\*

(Continued)

*Primary Examiner* — Manpreet Matharu  
*Assistant Examiner* — Suzanne Tisdell  
(74) *Attorney, Agent, or Firm* — Ostrolenk Faber LLP

(57) **CLAIM**

The ornamental design for an alarm clock, as shown.

**DESCRIPTION**

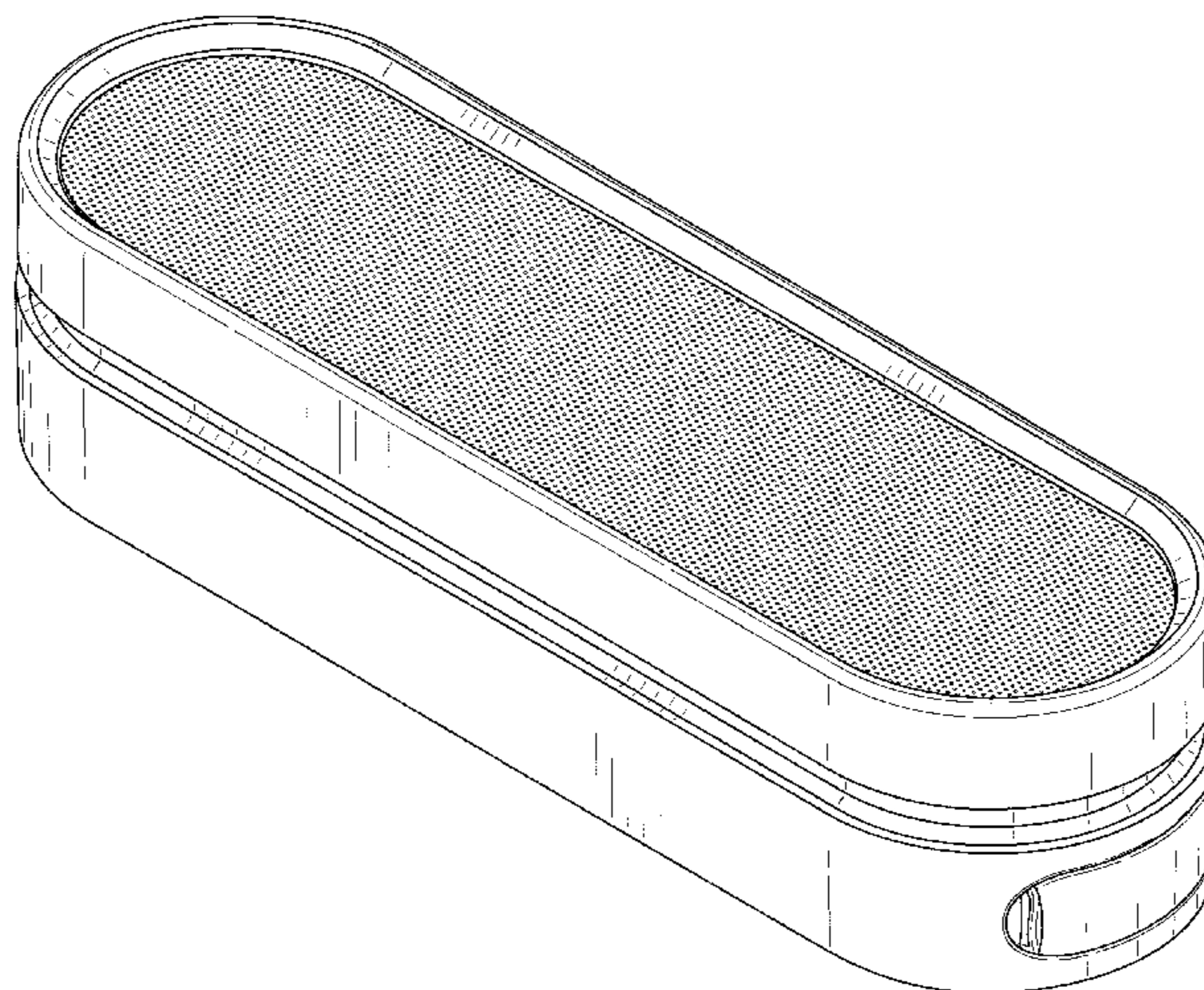
FIG. 1 is a top, front perspective view of an alarm clock showing my new design;  
FIG. 2 is a front view thereof;  
FIG. 3 is a rear view thereof;  
FIG. 4 is a right side view thereof;  
FIG. 5 is a left side view thereof;  
FIG. 6 is a top view thereof;  
FIG. 7 is a bottom view thereof; and,  
FIG. 8 is a left side, rear, bottom perspective view.

**1 Claim, 7 Drawing Sheets**

(56) **References Cited**

**U.S. PATENT DOCUMENTS**

D611,450 S \* 3/2010 Miyazaki ..... D14/209.1  
7,881,456 B1 \* 2/2011 Russell ..... G06F 1/1632  
379/374.01  
D642,159 S \* 7/2011 Joseph ..... D14/215  
D648,227 S \* 11/2011 Grotell ..... D10/31  
D652,333 S \* 1/2012 Bond ..... D10/104.1  
D664,876 S \* 8/2012 Krumpe ..... D10/106.6  
D668,966 S \* 10/2012 Scott ..... D10/32  
D669,370 S \* 10/2012 Rasumowsky ..... D10/33  
D675,114 S \* 1/2013 Lacotta ..... D10/60  
D692,328 S \* 10/2013 Yong ..... D10/69  
D692,856 S \* 11/2013 Holzer ..... D14/209.1



(56)

**References Cited**

U.S. PATENT DOCUMENTS

2015/0096828 A1\* 4/2015 Fathollahi ..... H04R 1/023  
181/156  
2015/0214760 A1\* 7/2015 Chraime ..... H02J 7/0045  
320/103  
2016/0037253 A1\* 2/2016 Workman ..... H04R 1/2834  
381/338

OTHER PUBLICATIONS

“Alarm Clock Wireless Bluetooth Speaker” Aliexpress. Accessed:  
Jun. 21, 2016. [http://www.aliexpress.com/store/product/Alarm-Clock-Wireless-Bluetooth-Speaker-Support-TF-Card-USB-FM-Digital-Screen-Aux-in-NFC/316954\\_32349638047.html](http://www.aliexpress.com/store/product/Alarm-Clock-Wireless-Bluetooth-Speaker-Support-TF-Card-USB-FM-Digital-Screen-Aux-in-NFC/316954_32349638047.html).\*

“Soundbot Bluetooth Speaker” Soundbot. Accessed: Jun. 21, 2016.  
<http://www.soundbot.com/products/soundbot-sb1020-stereo-bluetooth-alarm-clock-audio-speaker>.\*

\* cited by examiner



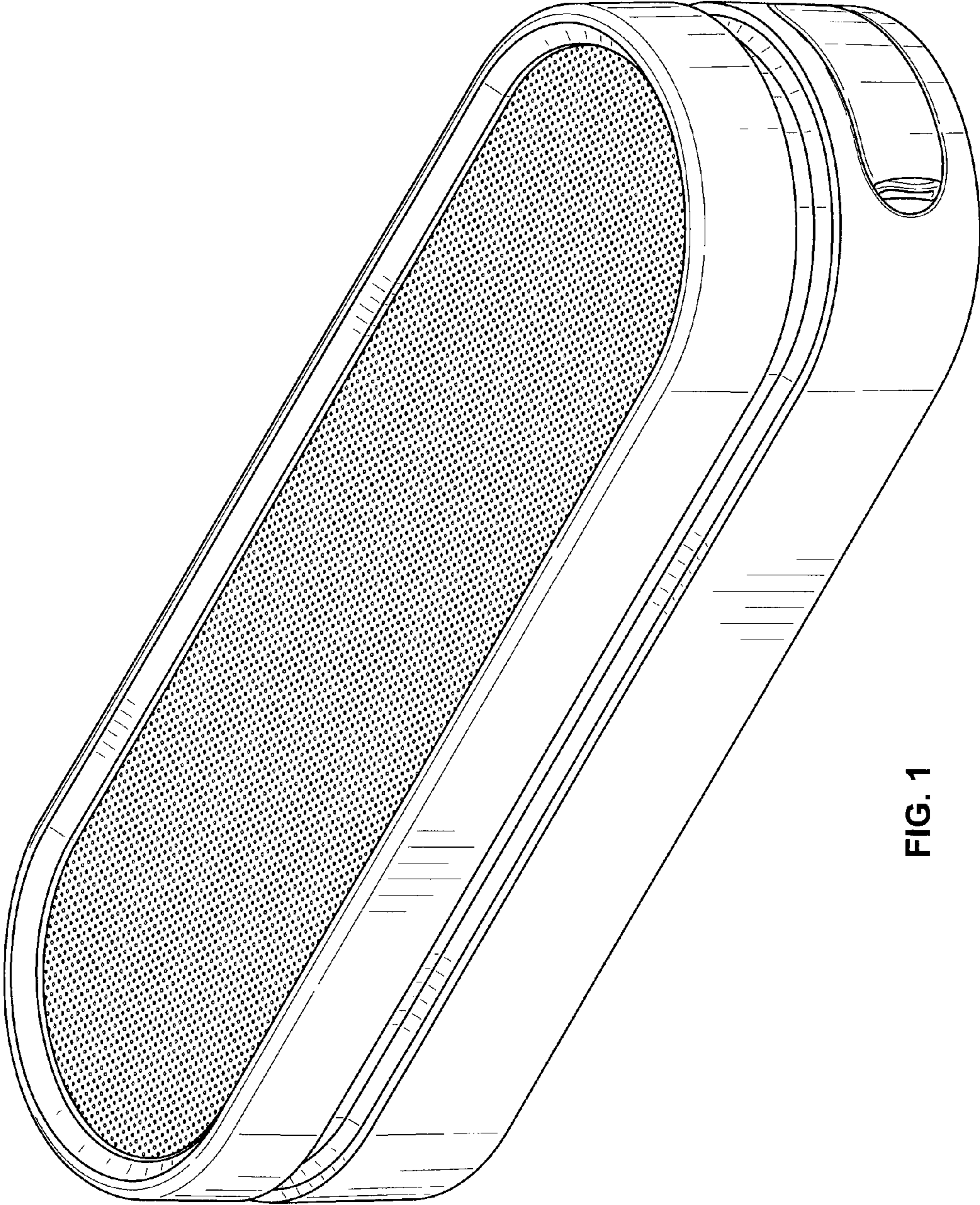


FIG. 1

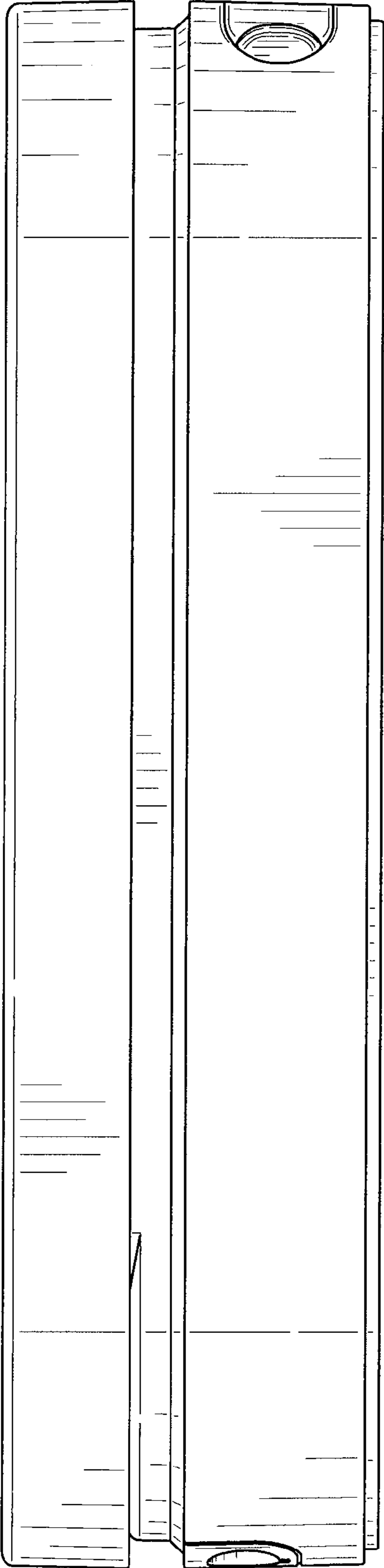


FIG. 2

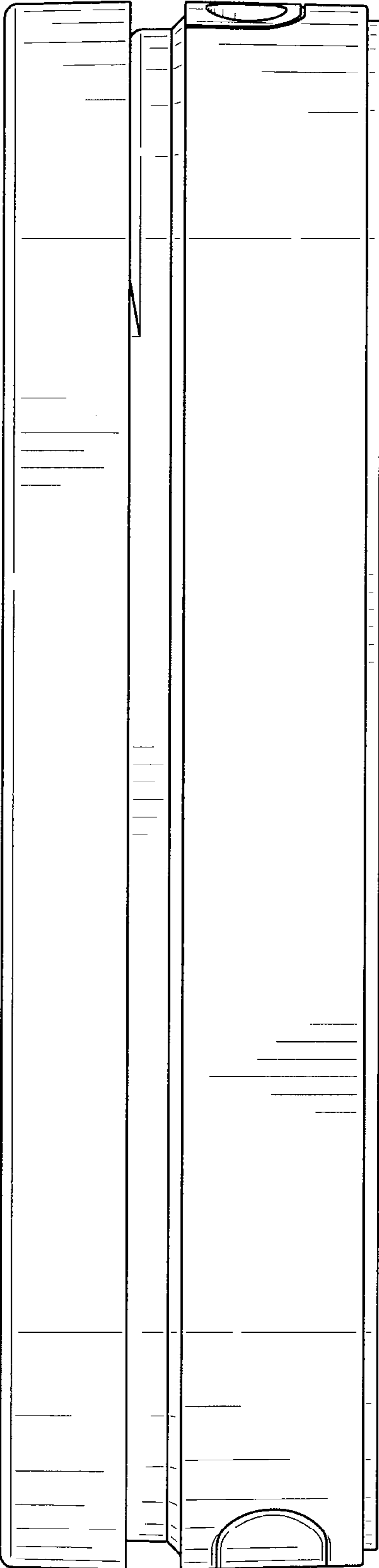


FIG. 3

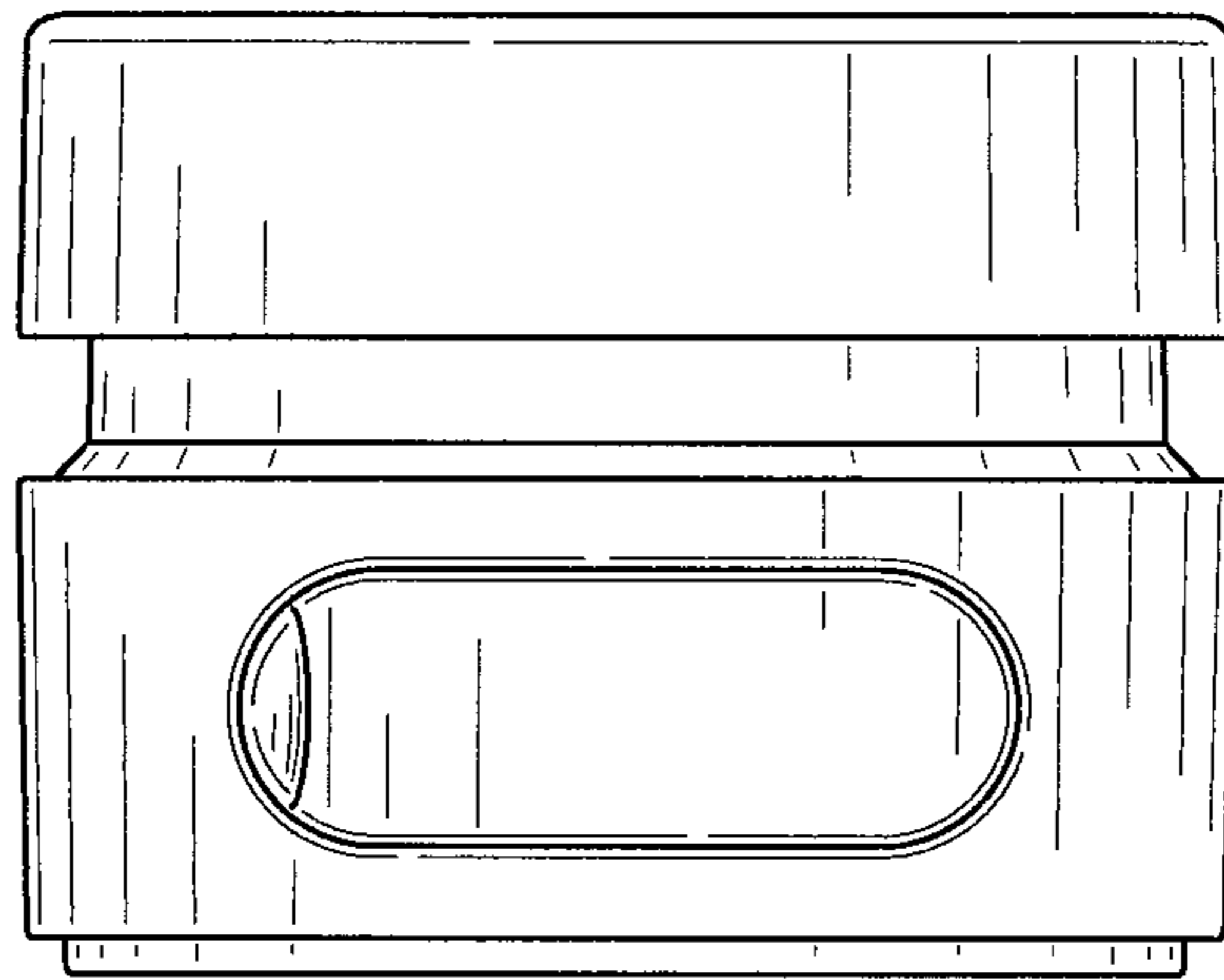


FIG. 4

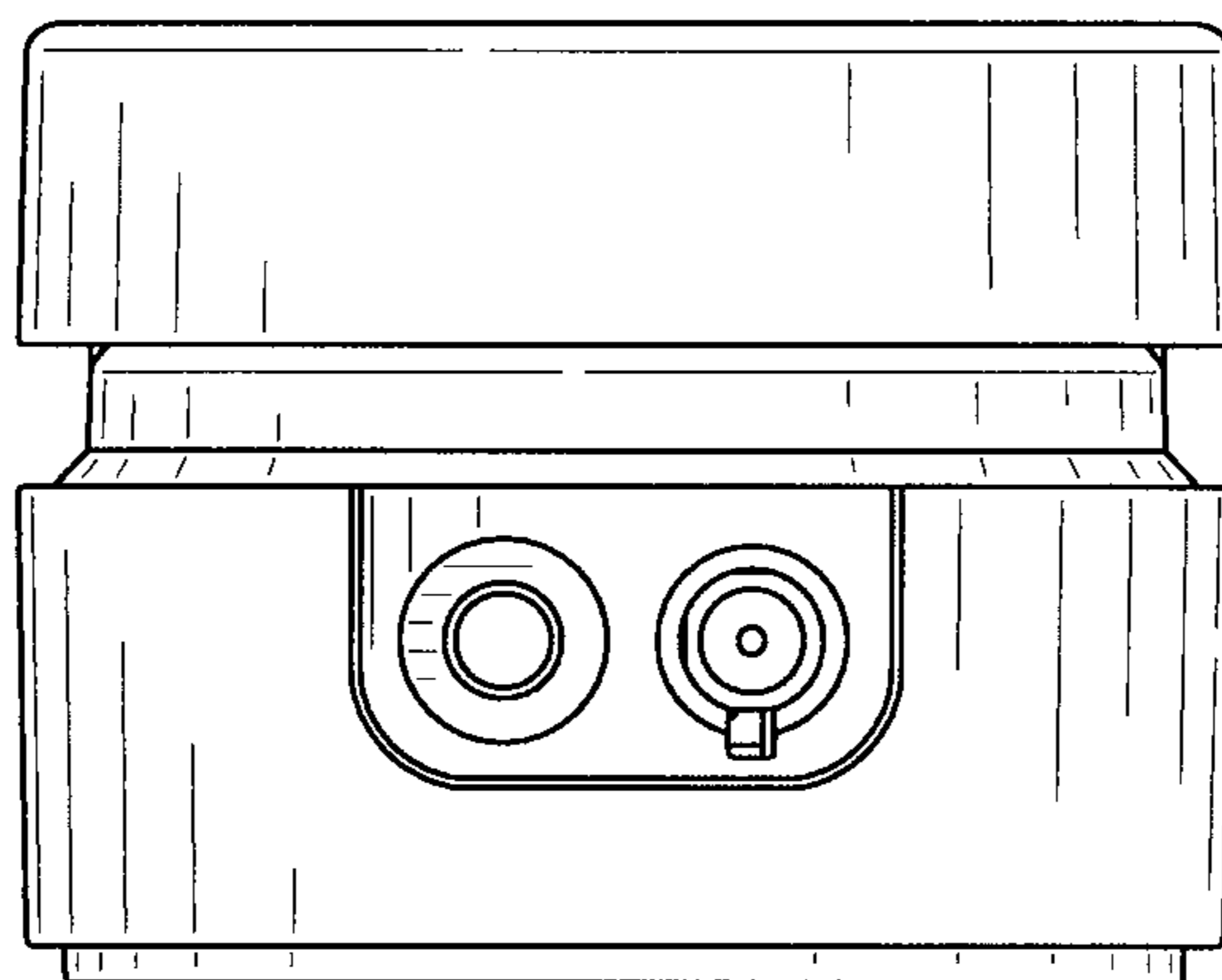


FIG. 5

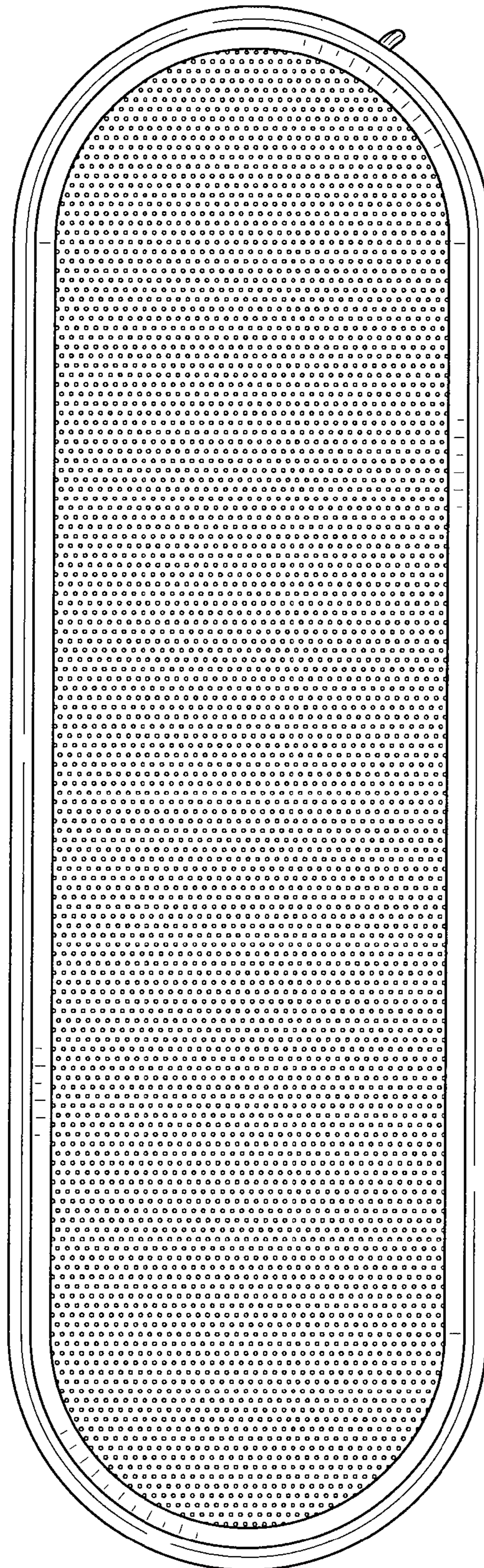


FIG. 6



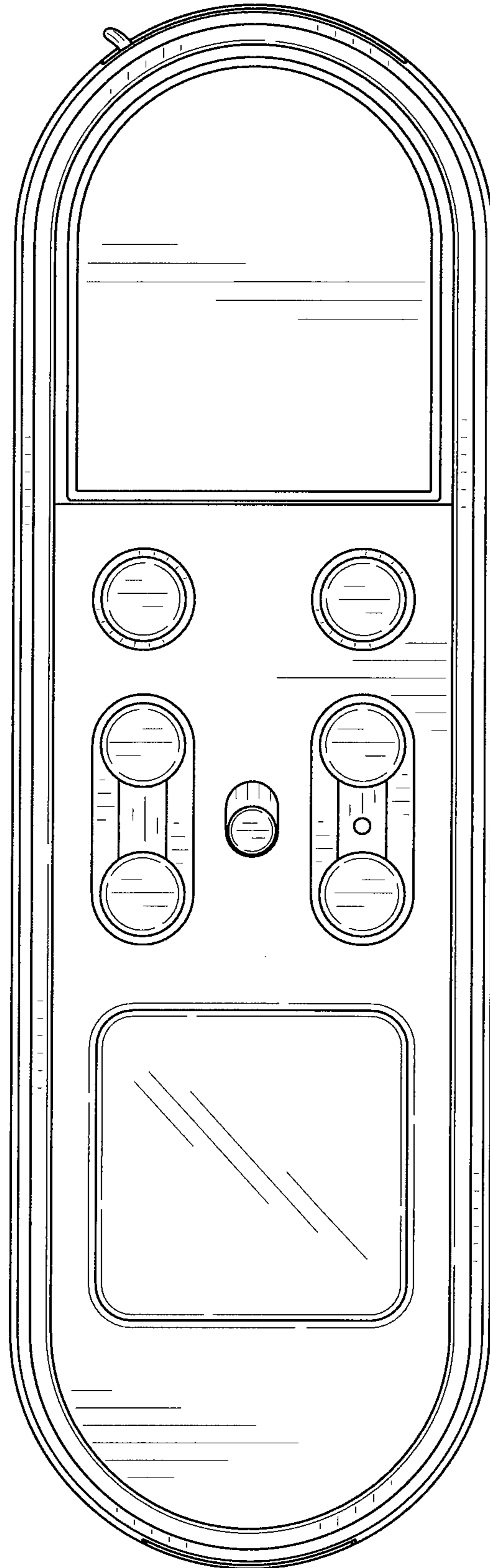


FIG. 7



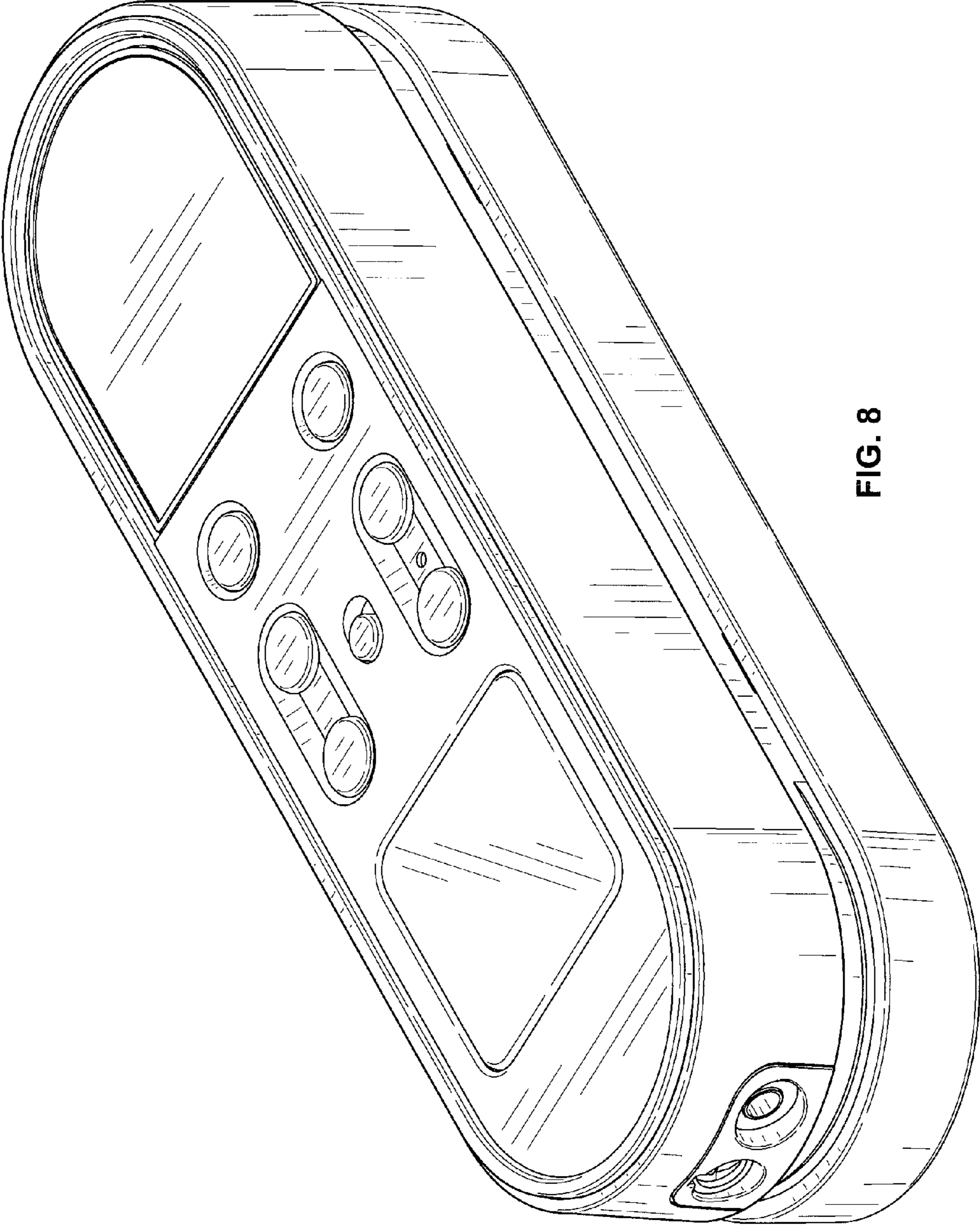


FIG. 8