



US00D773940S

(12) **United States Design Patent** (10) **Patent No.:** **US D773,940 S**
Tilahun et al. (45) **Date of Patent:** **** Dec. 13, 2016**

(54) **SNACK PACKAGE**

FOREIGN PATENT DOCUMENTS

(71) Applicant: **Kraft Foods Group Brands LLC**,
Northfield, IL (US)

WO WO-2014/005023 1/2014

(72) Inventors: **Muluken Tilahun**, Waunakee, WI
(US); **Paris Alexander Edwards**
Lowitz, Chicago, IL (US); **Stacy Alycia**
Thomas Castro, Chicago, IL (US);
Thad Fisher, Madison, WI (US)

OTHER PUBLICATIONS

Nabisco Handi Snack-Oreo, available Jul. 7, 2013, [online], [site visited Apr. 27, 2016]. Available from internet, <URL: http://www.amazon.com/Nabisco-Snacks-Oreo-Sticks-Creme/dp/B007PWD4LI/ref=pd_sim_325_4?ie=UTF8&dpID=51b6H-9objL&dpSrc=sims&preST=_AC_UL160_SR160%2C160_&refRID=01Y9FTNC2NW58PAVCHND.*>

(73) Assignee: **Kraft Foods Group Brands LLC**,
Chicago, IL (US)

(Continued)

(**) Term: **14 Years**

Primary Examiner — Cathron Brooks

(21) Appl. No.: **29/508,476**

Assistant Examiner — Teddy Falloway

(22) Filed: **Nov. 6, 2014**

(74) *Attorney, Agent, or Firm* — Foley & Lardner LLP

Related U.S. Application Data

(63) Continuation-in-part of application No. 29/483,281,
filed on Feb. 27, 2014, now Pat. No. Des. 750,976.

(51) **LOC (10) Cl.** **09-03**

(52) **U.S. Cl.**
USPC **D9/761; D9/737**

(58) **Field of Classification Search**
USPC D9/707, 761, 762, 737, 748, 749, 754,
D9/755, 700, 686, 688, 689, 390, 414,
D9/415, 424-427, 430-432, 434, 435,
D9/454, 456, 438, 416, 518;
D7/553.1-553.7; D24/104, 226, 230;
229/406, 164.1; 220/500, 555, 631, 657,
220/659, 904, 220/269-272, 906;
206/461; 416/108, 110, 119, 122;
D11/221; 24/429

(Continued)

(56) **References Cited**

U.S. PATENT DOCUMENTS

D144,016 S 2/1946 Weideman
D165,683 S * 1/1952 Fournier et al. D24/230
(Continued)

(57) **CLAIM**

We claim the ornamental design for a snack package, as shown and described.

DESCRIPTION

FIG. 1 is a front perspective view of an embodiment of the claimed design;

FIG. 2 is a top view of the embodiment of FIG. 1;

FIG. 3 is a bottom view of the embodiment of FIG. 1;

FIG. 4 is a front view of the embodiment of FIG. 1;

FIG. 5 is a rear view of the embodiment of FIG. 1;

FIG. 6 is a right side view of the embodiment of FIG. 1;

FIG. 7 is a left side view of the embodiment of FIG. 1;

FIG. 8 is a front perspective view of another embodiment of the claimed design;

FIG. 9 is a top view of the embodiment of FIG. 8;

FIG. 10 is a bottom view of the embodiment of FIG. 8;

FIG. 11 is a front view of the embodiment of FIG. 8;

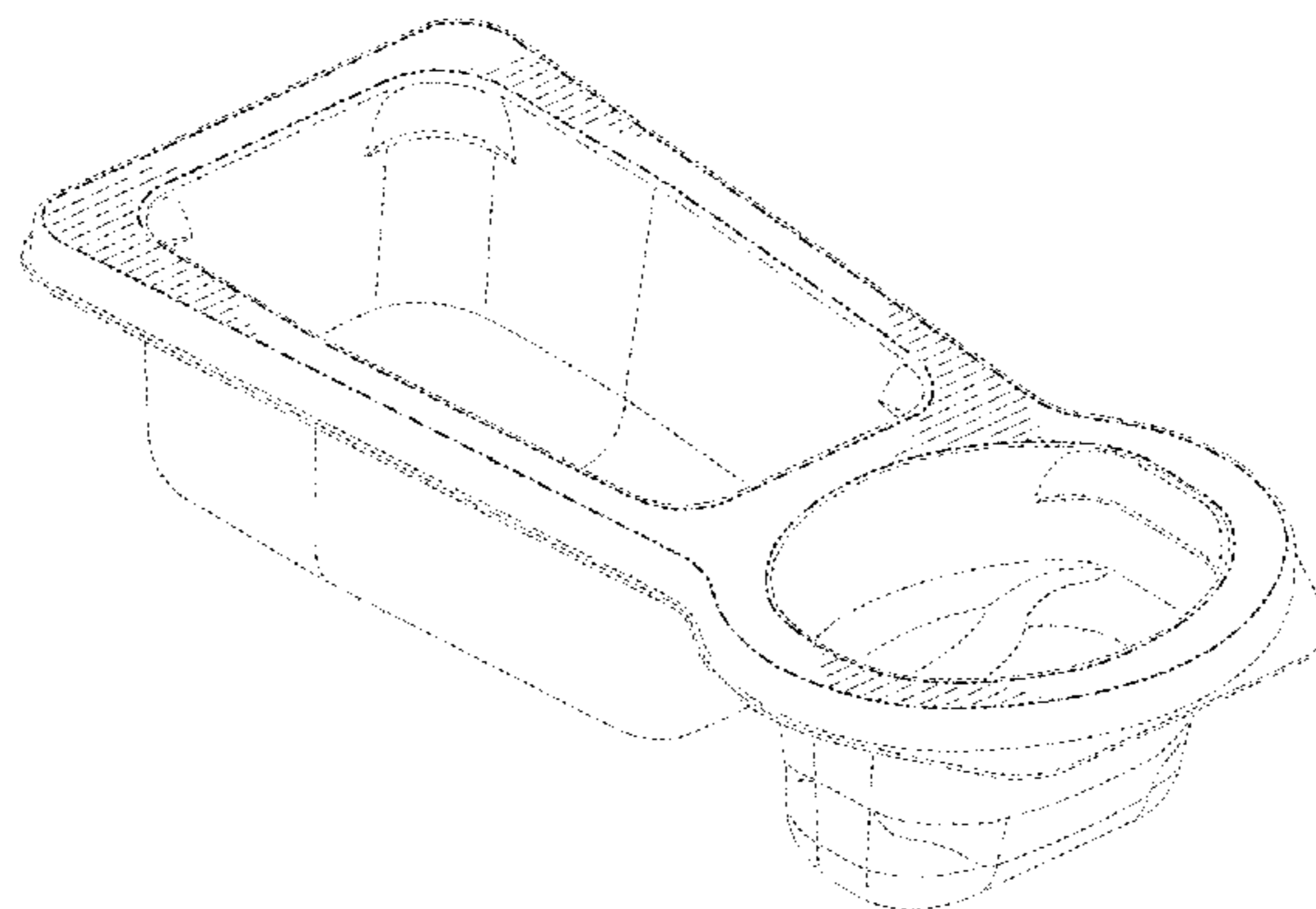
FIG. 12 is a rear view of the embodiment of FIG. 8;

FIG. 13 is a right side view of the embodiment of FIG. 8; and,

FIG. 14 is a left side view of the embodiment of FIG. 8.

The dash-dash broken lines illustrate portions of the snack package that form no part of the claimed design. The

(Continued)



dash-dot broken lines define the bounds of the claimed design, and form no part thereof.

1 Claim, 10 Drawing Sheets

(58) **Field of Classification Search**

CPC B65D 1/36; B65D 71/70; B65D 85/78;
A23G 9/503

See application file for complete search history.

(56) **References Cited**

U.S. PATENT DOCUMENTS

D195,737 S	7/1963	Bassett	
3,565,245 A	2/1971	Asher et al.	
D232,348 S	8/1974	Cloud	
D273,765 S	5/1984	Cillario	
D279,865 S	7/1985	McKee	
D292,379 S	10/1987	Pollitt	
D297,115 S	8/1988	Fontana et al.	
D297,116 S	8/1988	Fontana et al.	
D297,117 S	8/1988	Fontana et al.	
D297,118 S	8/1988	Fontana et al.	
D297,119 S	8/1988	Fontana et al.	
4,836,380 A	6/1989	Walter et al.	
D303,215 S	9/1989	Hoyt	
5,092,475 A	3/1992	Krishnakumar et al.	
D339,522 S	9/1993	Zoss	
D341,624 S *	11/1993	Evenson	D19/75
D349,456 S	8/1994	Wilson	
D366,187 S	1/1996	Van Den Kieboom	
D371,940 S	7/1996	Krupa	
5,598,941 A	2/1997	Semersky et al.	
D386,075 S	11/1997	Hayes et al.	
D395,232 S	6/1998	Bryan et al.	
D395,233 S	6/1998	Bryan et al.	
D408,684 S	4/1999	Helm	
D411,798 S	7/1999	Suzuki	
5,927,533 A	7/1999	Payne et al.	
D419,061 S	1/2000	Croft et al.	
D420,855 S	2/2000	Hurley	
D427,914 S	7/2000	Croft et al.	
D429,147 S	8/2000	Baker et al.	
6,117,506 A	9/2000	Graboski et al.	
6,152,302 A	11/2000	Miller et al.	
D443,510 S	6/2001	Doucette	
D446,127 S	8/2001	Adee et al.	
D446,128 S	8/2001	Adee et al.	
D446,730 S	8/2001	Adee et al.	
D450,596 S	11/2001	Adee et al.	
D481,635 S	11/2003	Lovelace et al.	
D484,364 S *	12/2003	Bailey	D7/357
6,662,960 B2	12/2003	Hong et al.	
6,695,162 B1	2/2004	Boukobza et al.	
6,698,606 B2	3/2004	Deubel et al.	
6,763,969 B1	7/2004	Melrose et al.	
D494,463 S	8/2004	Tsao	
D495,246 S	8/2004	Tomassetti	
D504,326 S	4/2005	Vovan	
6,929,139 B2	8/2005	Darr	
D529,821 S	10/2006	Wilcox et al.	
D530,626 S	10/2006	Tanja	
D531,054 S	10/2006	Sagel	
D535,889 S	1/2007	Kaminski et al.	

D536,619 S	2/2007	Heisner	
D549,572 S	8/2007	Althouse et al.	
D557,635 S *	12/2007	Ohgaku	D11/221
D559,148 S *	1/2008	Yamagishi	D11/221
D562,146 S	2/2008	Zboch et al.	
D568,164 S	5/2008	Dodge et al.	
D569,733 S	5/2008	Dodge et al.	
7,367,365 B2	5/2008	Slat et al.	
D571,228 S	6/2008	Maslowski	
D577,577 S	9/2008	Lee et al.	
D579,769 S	11/2008	Lipinski et al.	
D585,746 S	2/2009	Dodge et al.	
D585,747 S	2/2009	Dodge et al.	
D585,755 S	2/2009	Dodge et al.	
7,568,588 B2	8/2009	Yourist	
7,581,654 B2	9/2009	Stowitts	
D609,576 S	2/2010	Kuzma et al.	
7,699,183 B2	4/2010	Matsuoka et al.	
D621,718 S	8/2010	Mehdizadeh	
7,798,349 B2	9/2010	Maczek et al.	
D626,002 S	10/2010	Charyszyn et al.	
7,959,024 B2	6/2011	Pedmo et al.	
D642,066 S	7/2011	Kuzma et al.	
D645,764 S	9/2011	Mathis et al.	
D647,792 S *	11/2011	Mathis	D9/434
8,069,986 B2	12/2011	Darr et al.	
D652,323 S	1/2012	Clark	
8,113,370 B2	2/2012	Zhang et al.	
D655,136 S *	3/2012	Goodman	D7/553.6
D655,629 S	3/2012	Blanton et al.	
D659,000 S	5/2012	Kim et al.	
D664,434 S	7/2012	Kim et al.	
D669,368 S	10/2012	Ehrmann	
D674,288 S	1/2013	Gieske	
D681,474 S	5/2013	Gieske	
8,474,638 B2	7/2013	Pedmo et al.	
8,540,095 B2	9/2013	Pedmo et al.	
D693,178 S	11/2013	Wilson	
D696,136 S	12/2013	Gieske	
D697,415 S	1/2014	Bryant et al.	
8,632,722 B2	1/2014	Porter et al.	
D701,430 S	3/2014	Hohnstein et al.	
D712,283 S	9/2014	Ehrmann	
D713,742 S	9/2014	Dzikowicz et al.	
D714,660 S	10/2014	Tilahun et al.	
D732,344 S *	6/2015	Clark	D7/553.1
D737,681 S *	9/2015	Martinson	D9/456
D750,976 S *	3/2016	Tilahun	D9/737
D769,132 S *	10/2016	Tilahun	D9/737
2005/0068182 A1	3/2005	Dunlap et al.	
2008/0179271 A1	7/2008	Bangi	
2010/0183775 A1	7/2010	Cudnohoske	
2011/0132916 A1	6/2011	Uptergrove et al.	
2012/0181246 A1	7/2012	Ross et al.	
2012/0267381 A1	10/2012	Trude et al.	
2012/0325770 A1	12/2012	Reeber et al.	
2013/0025092 A1 *	1/2013	Ozawa	A44B 19/26 24/429
2013/0032604 A1	2/2013	Jamali	
2013/0082024 A1	4/2013	Howell et al.	

OTHER PUBLICATIONS

Keebler Sargento Cheese Dip & Sticks, available Oct. 28, 2011, [online], [site visited Apr. 27, 2016]. Available from internet, <URL: <https://www.soap.com/p/productname-241277>.*

* cited by examiner

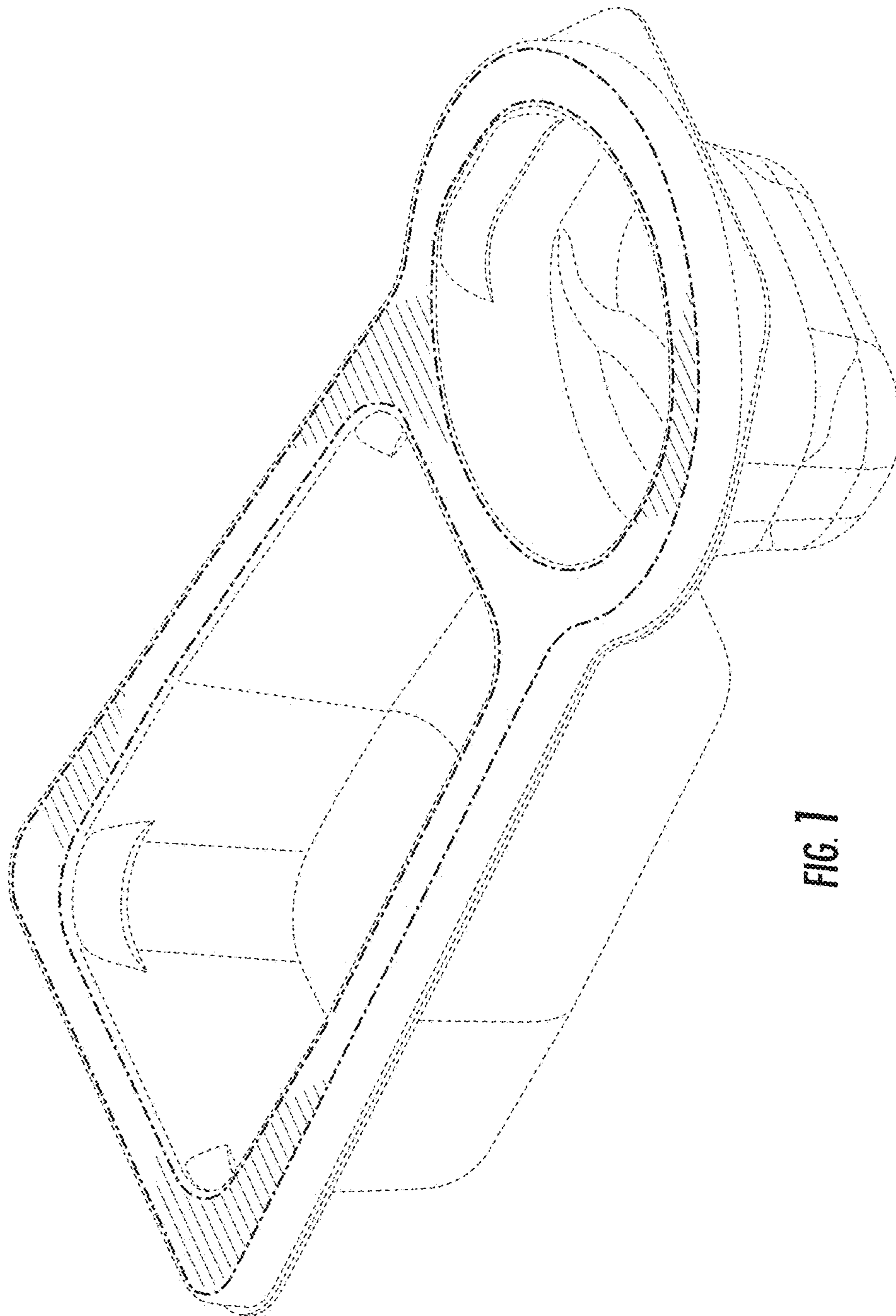


FIG. 1

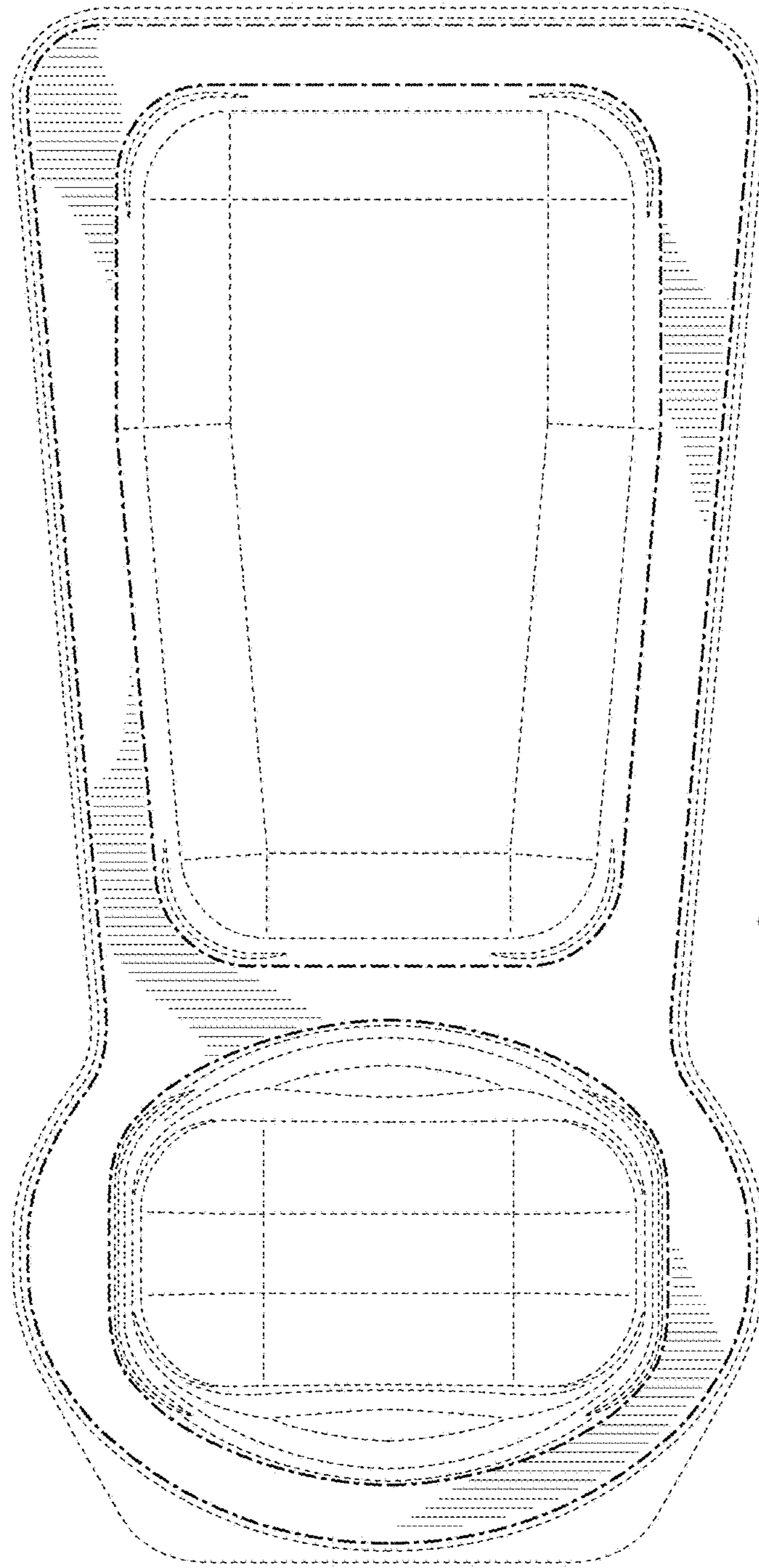


FIG. 2

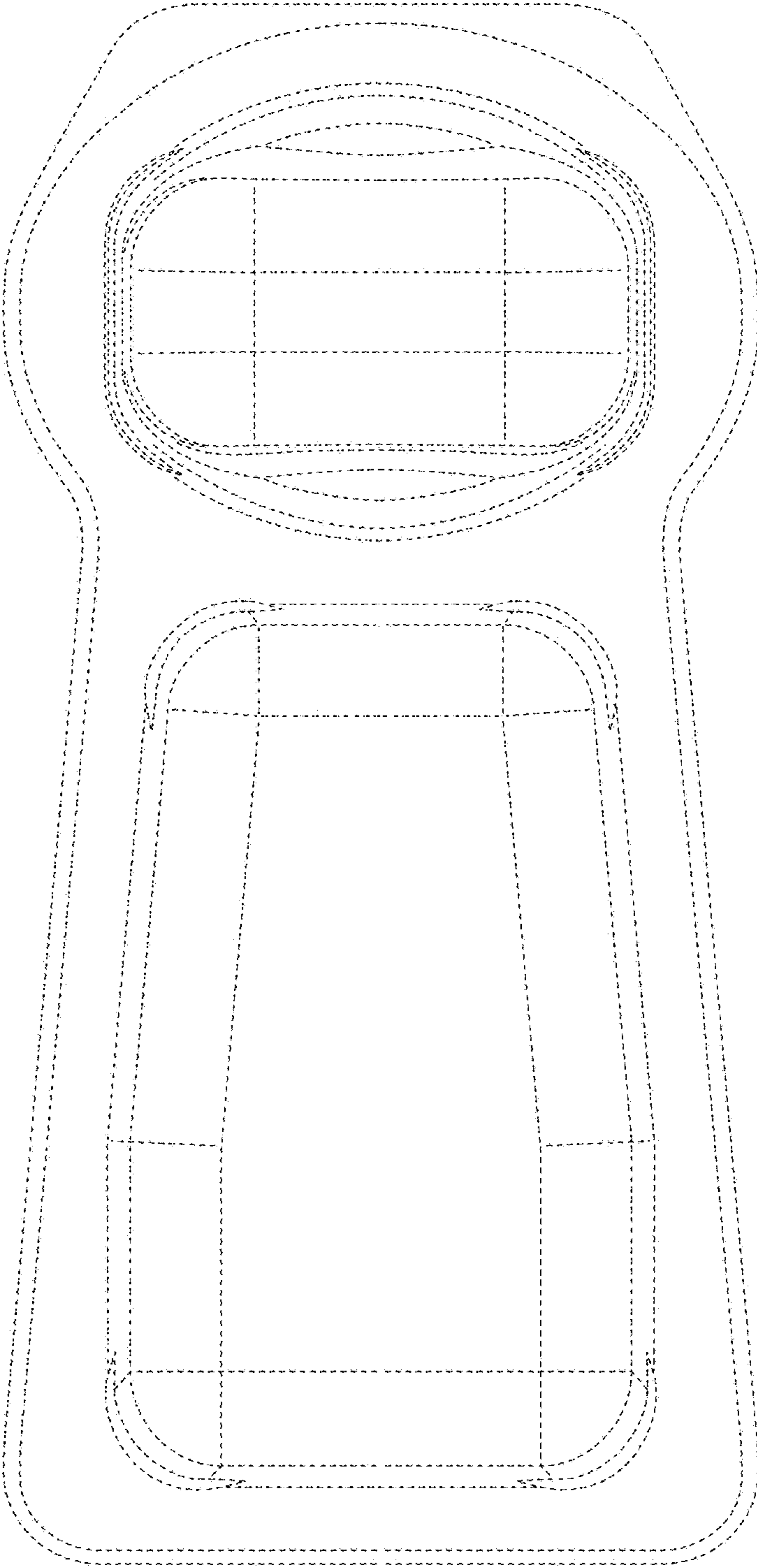


FIG. 3

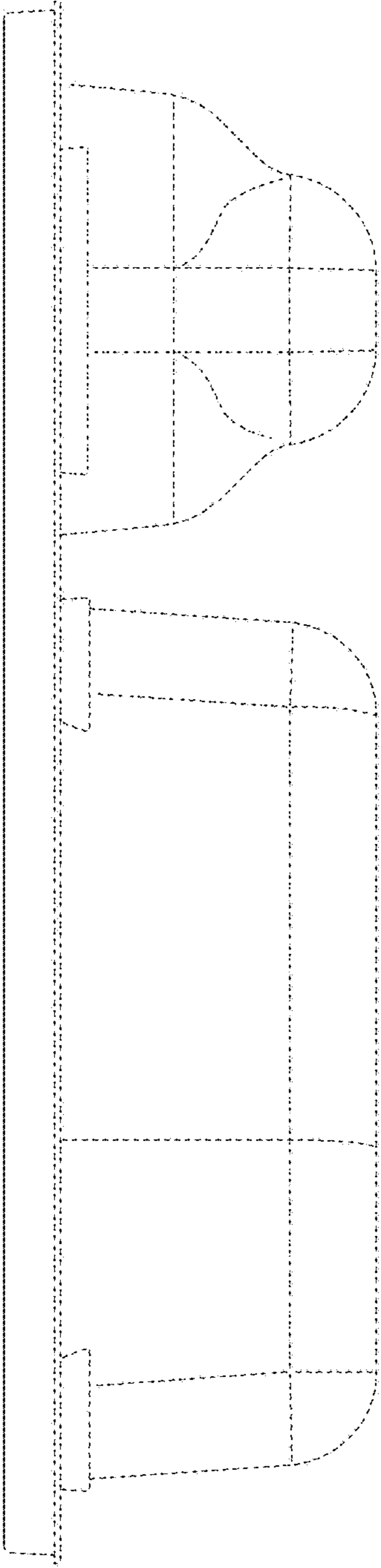


FIG. 4

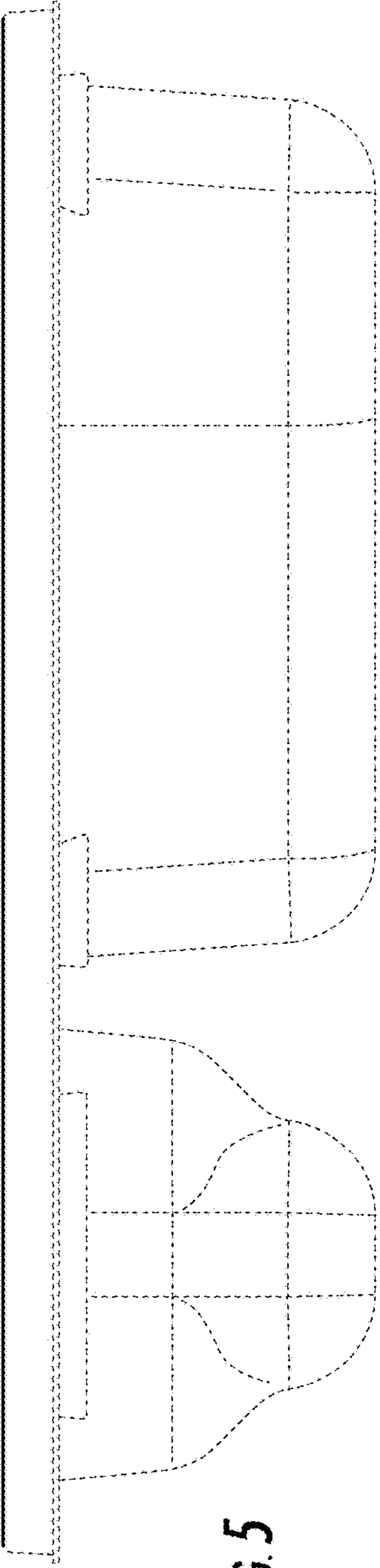


FIG. 5

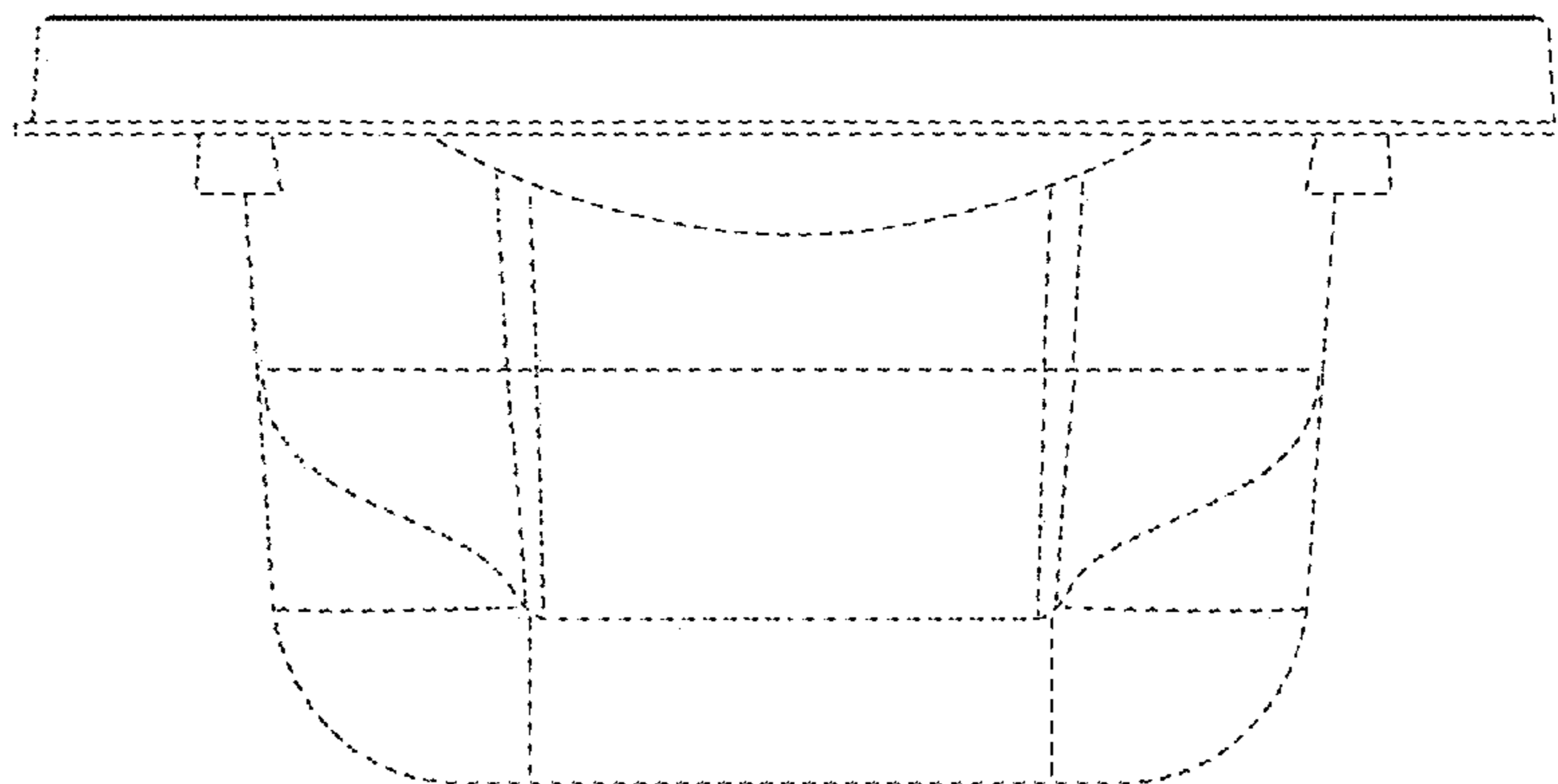


FIG. 6

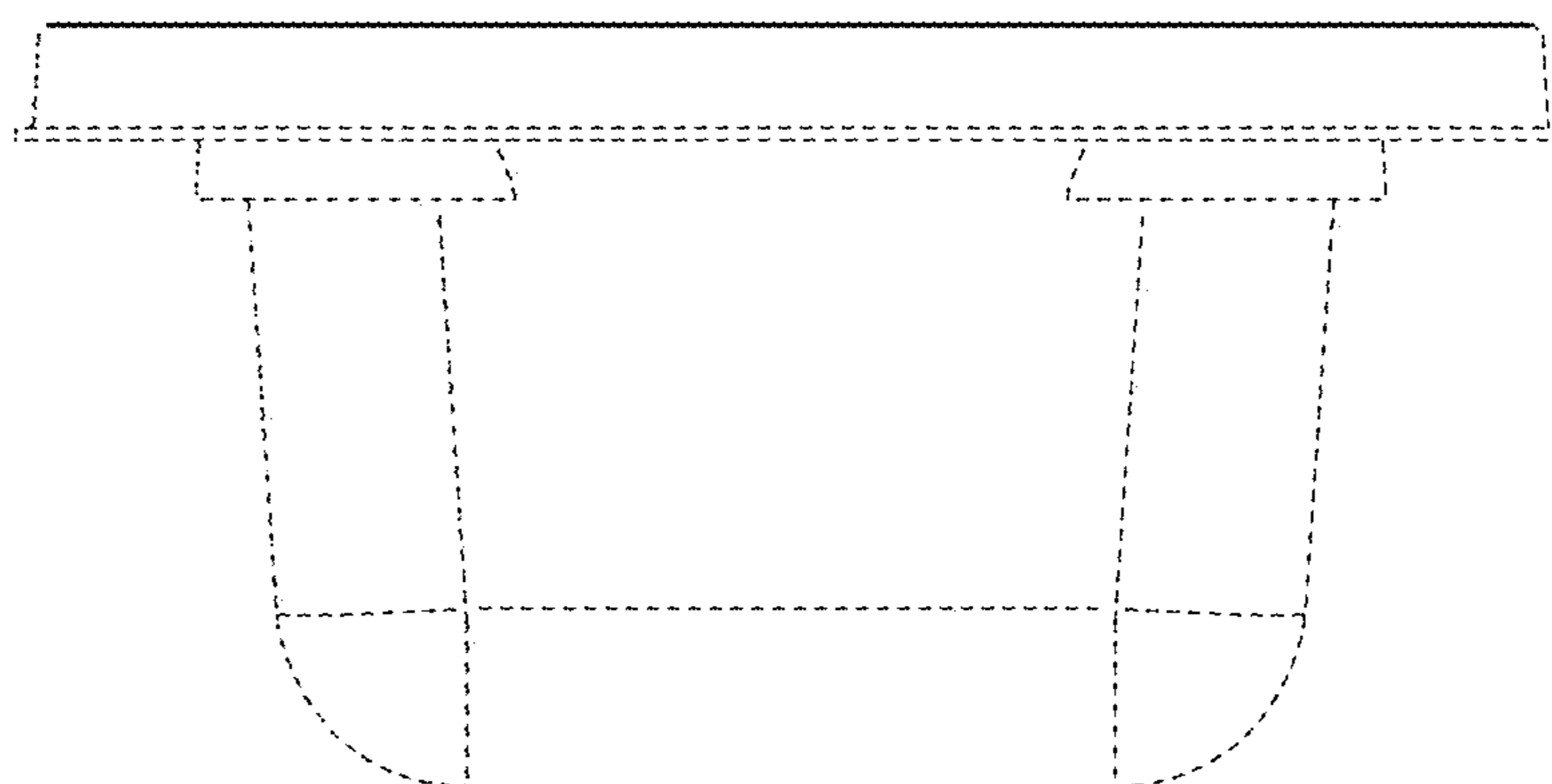


FIG. 7

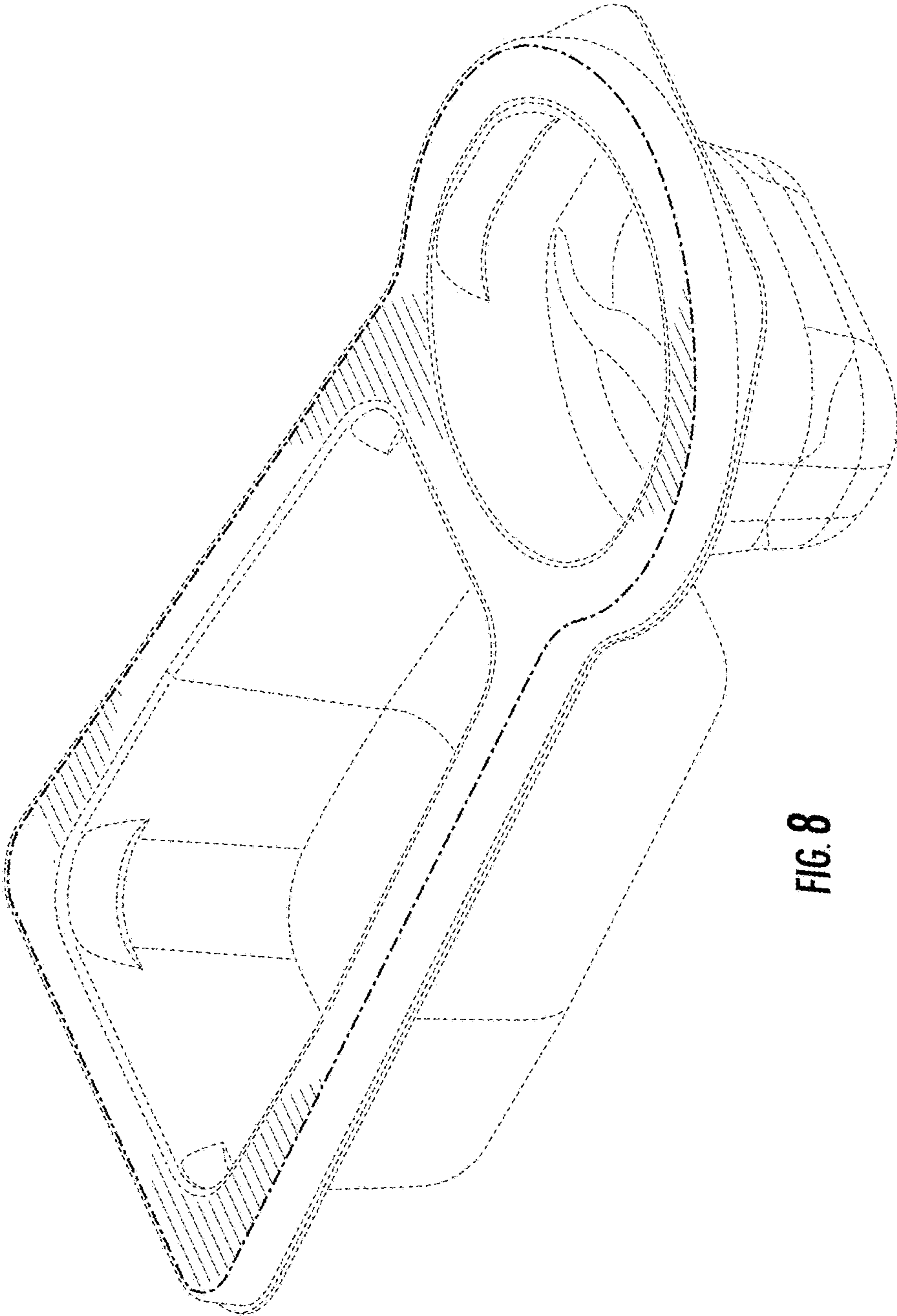


FIG. 8

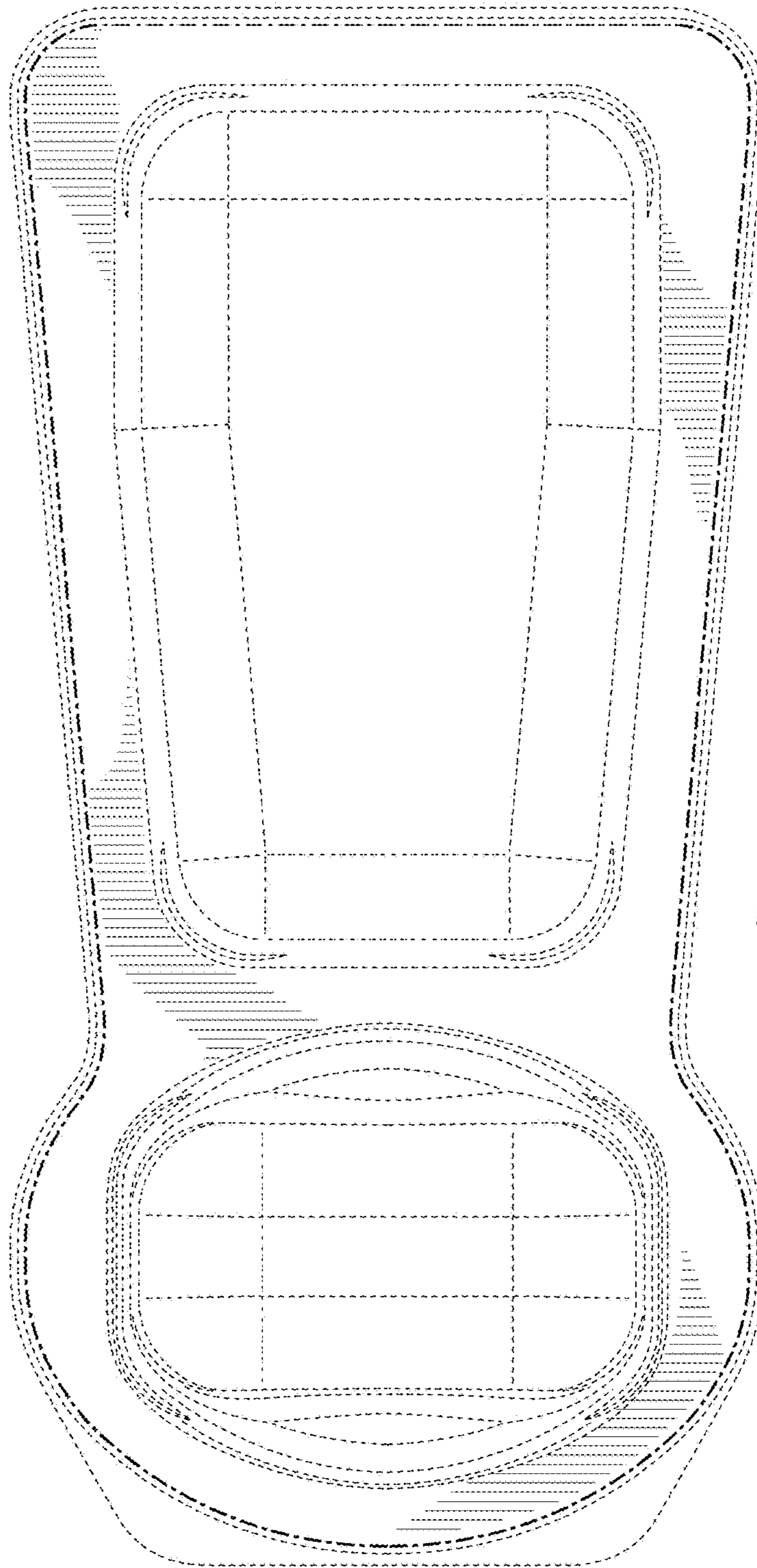


FIG. 9

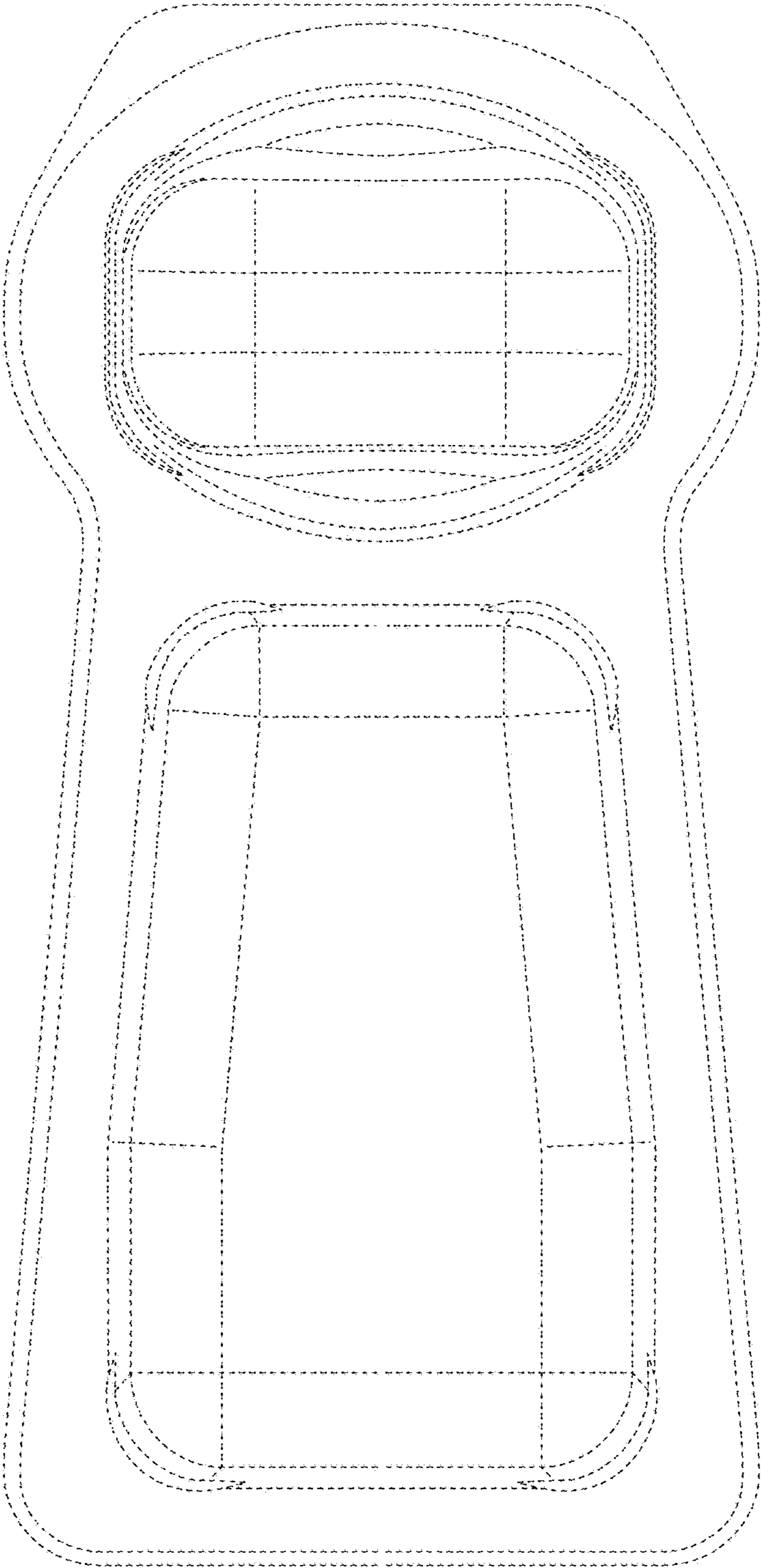


FIG. 10

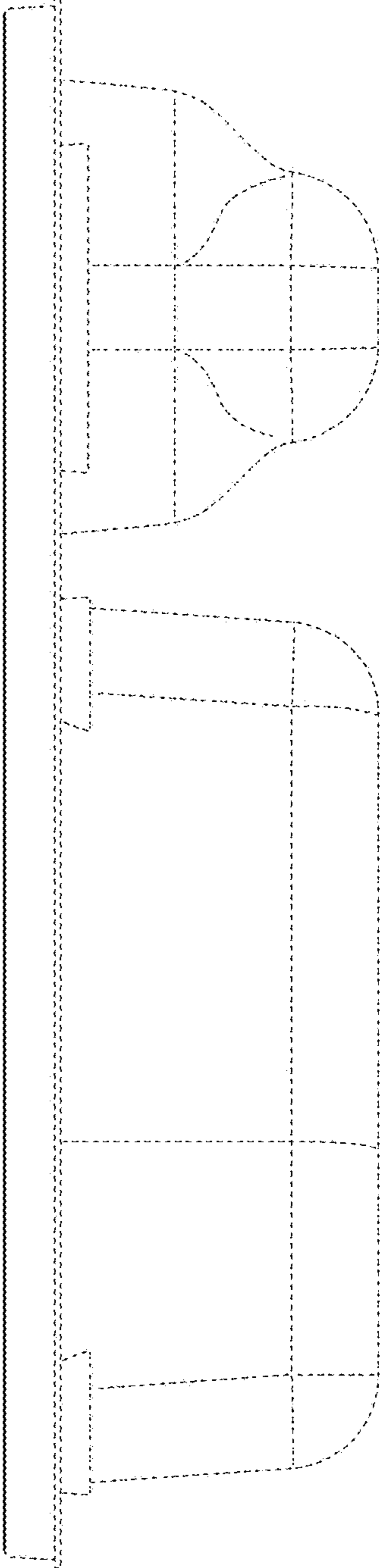


FIG. 11

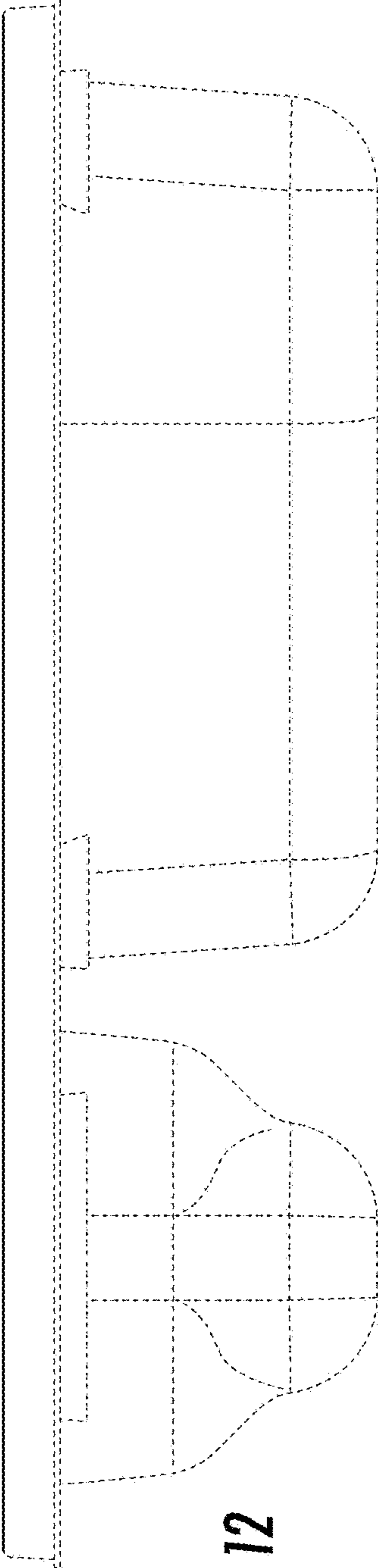


FIG. 12

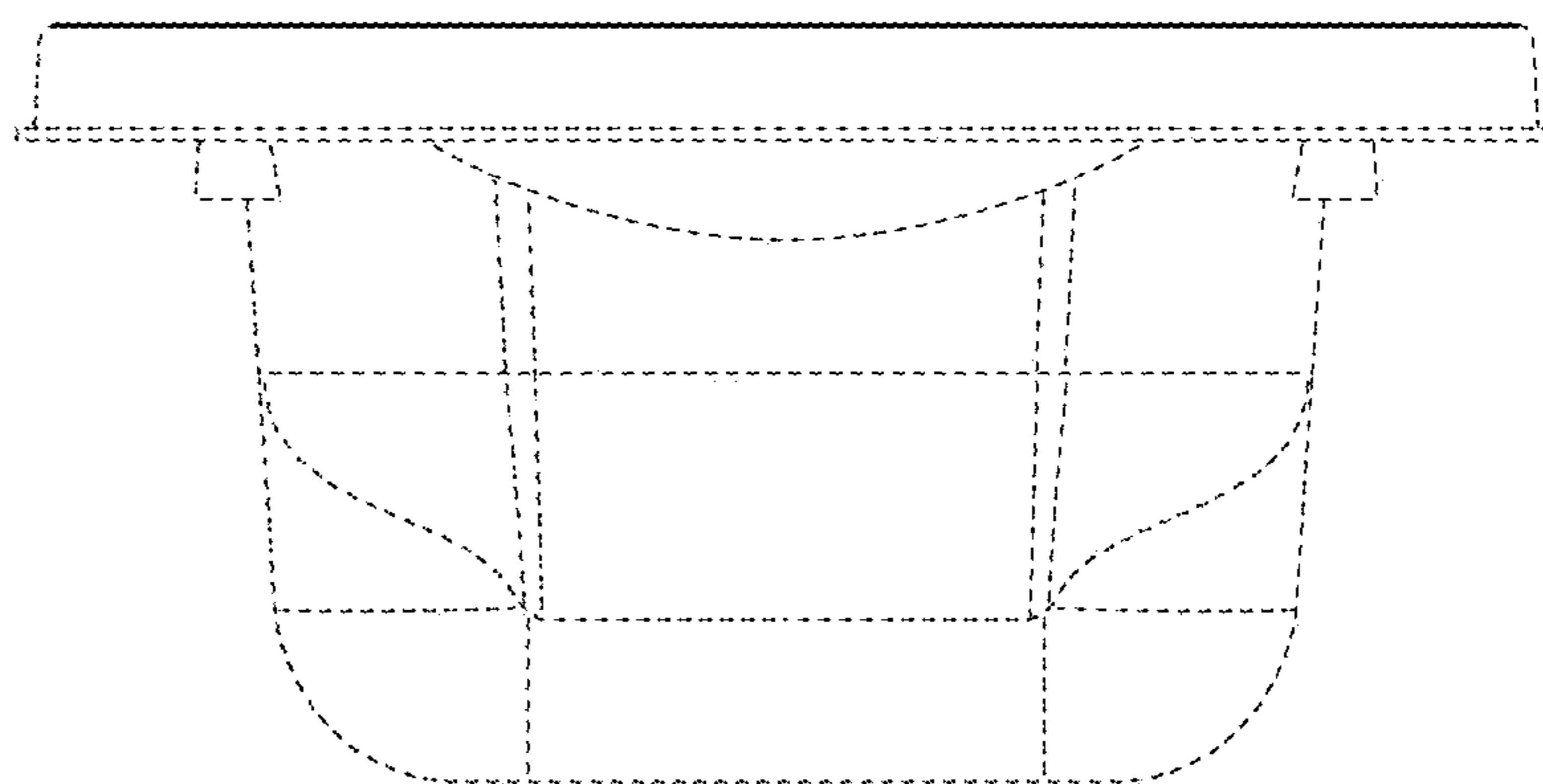


FIG. 13

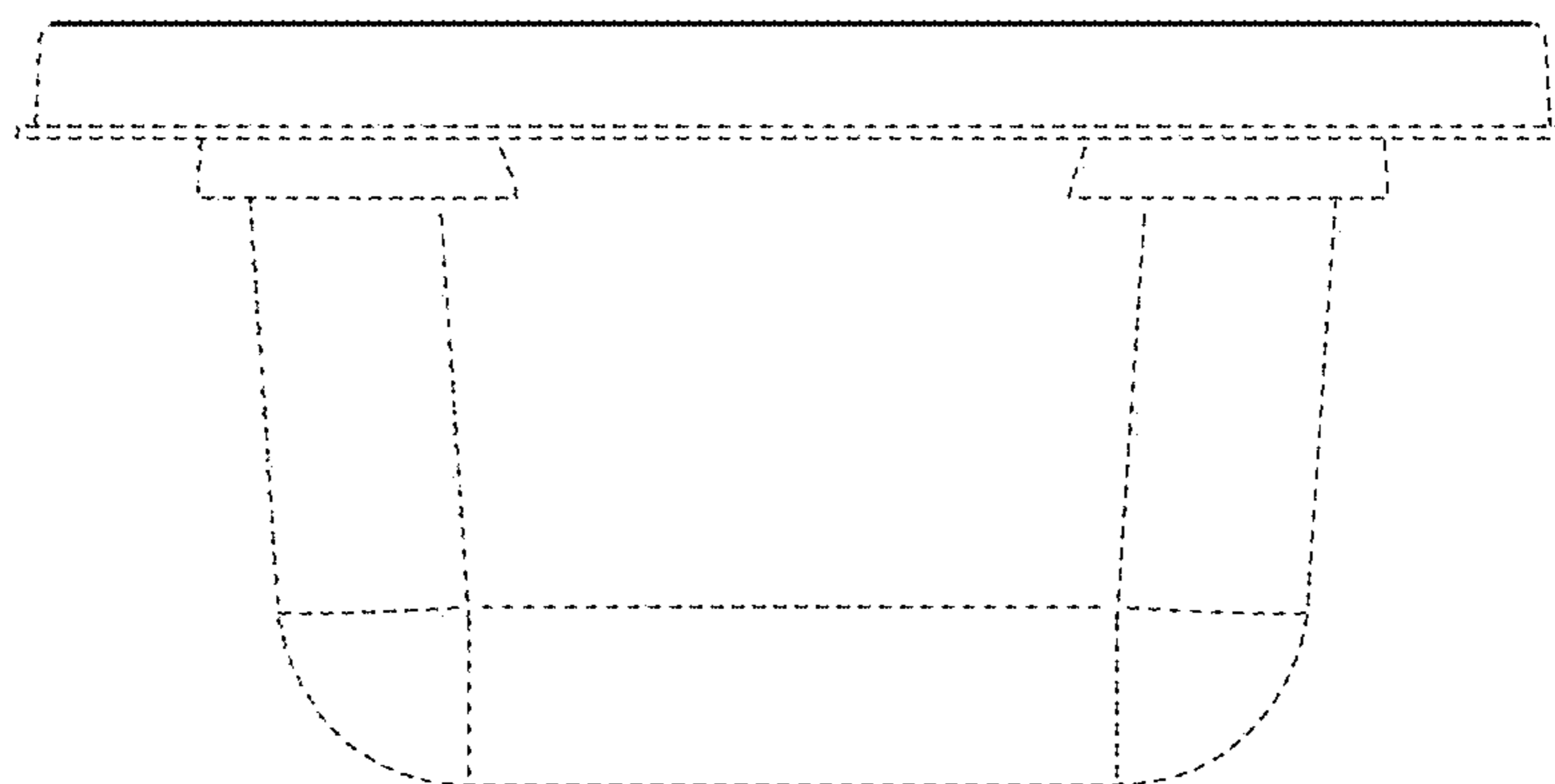


FIG. 14