



US00D773936S

(12) **United States Design Patent** (10) **Patent No.:** **US D773,936 S**  
**Pascalie** (45) **Date of Patent:** **\*\* Dec. 13, 2016**

(54) **BOTTLE WITH CAP**

(71) Applicant: **Christian Louboutin**, Paris (FR)

(72) Inventor: **Olivier Pascalie**, Asniere sur Seine (FR)

(\*\*) Term: **14 Years**

(21) Appl. No.: **29/504,305**

(22) Filed: **Oct. 3, 2014**

D69,766 S \* 3/1926 Miller ..... D9/505  
D71,782 S \* 1/1927 Delaize ..... D9/544  
D76,405 S \* 9/1928 Lavault ..... D9/546  
D80,918 S \* 4/1930 Teague ..... D11/90

(Continued)

*Primary Examiner* — Dana L Meyrow

(74) *Attorney, Agent, or Firm* — Charles T. J. Weigell, Esq.; Fross Zelnick Lehrman & Zissu, P.C.

(57) **CLAIM**

The ornamental design for a bottle with cap, as shown and described.

**Related U.S. Application Data**

(63) Continuation of application No. 29/461,602, filed on Jul. 25, 2013, now Pat. No. Des. 718,631.

(30) **Foreign Application Priority Data**

Jan. 29, 2013 (EM) ..... 002174433

(51) **LOC (10) Cl.** ..... **09-01**

(52) **U.S. Cl.**  
USPC ..... **D9/544**; D9/454; D9/546; D9/566

(58) **Field of Classification Search**

USPC ..... D9/418, 430, 439, 444–445, 454, D9/516–517, 544, 546, 559–560, 566, D9/568, 572–575, 682, 686–687, D9/693–694, 715, 719, 721; D4/116; D7/300, 300.1, 598; D19/93; D28/91.1; 215/379, 382; 220/660, 662, 669, 675  
CPC ..... B65D 1/00; B65D 1/02; B65D 1/40; B65D 69/00; B65D 79/00; B65D 81/00; B65D 83/00; B65D 83/14; B65D 83/38; B65D 90/02; B65D 2501/0009; B65D 2501/0081

See application file for complete search history.

(56) **References Cited**

**U.S. PATENT DOCUMENTS**

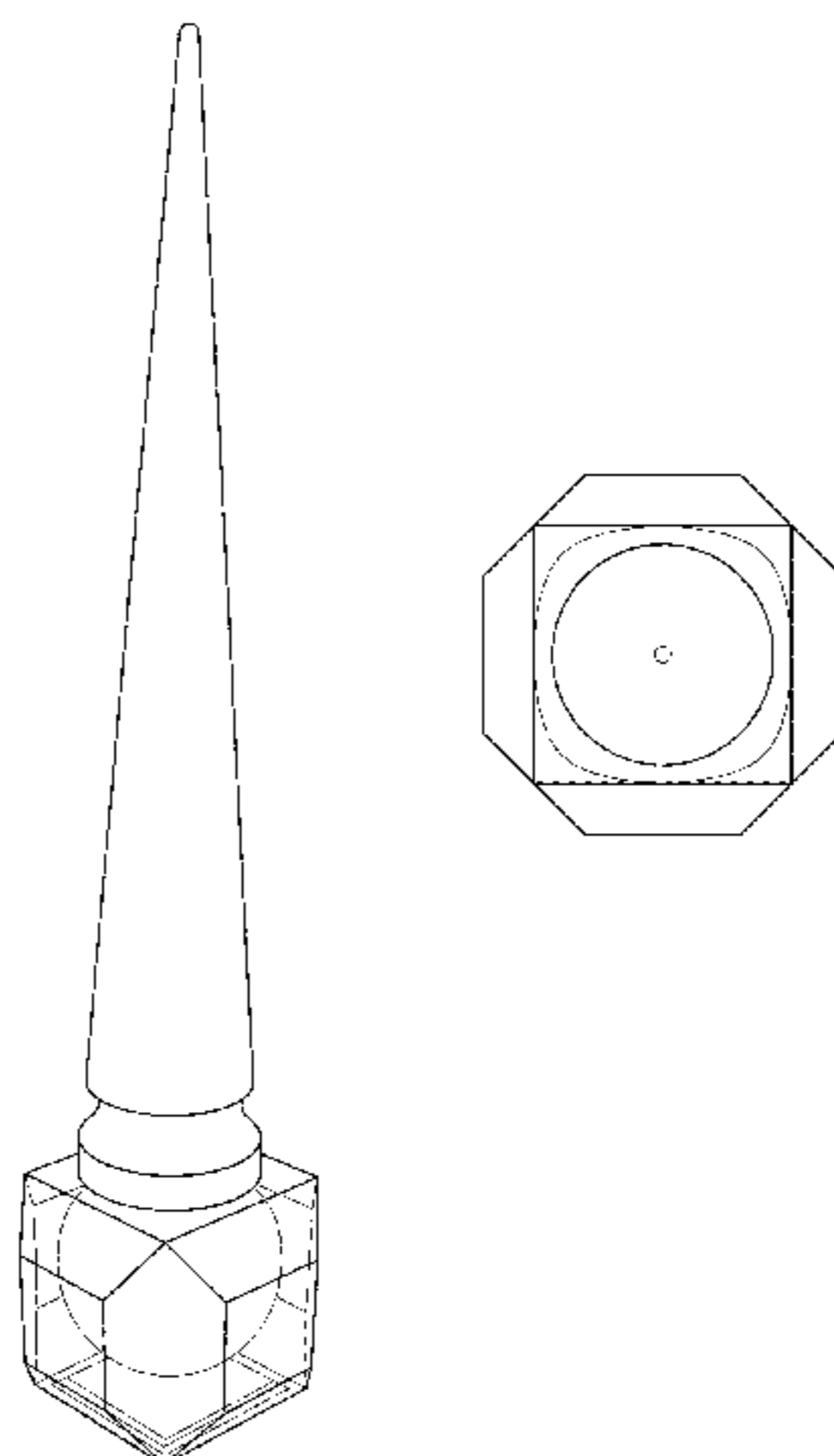
D10,034 S \* 6/1877 Harrison ..... D9/505  
290,206 A \* 12/1883 Brown ..... B65D 1/02  
141/343

**DESCRIPTION**

FIG. 1 is a front perspective view of the cap portion of the bottle with cap showing my new design;  
FIG. 2 is a top plan view thereof;  
FIG. 3 is a bottom plan view thereof;  
FIG. 4 is a front view thereof;  
FIG. 5 is a rear view thereof;  
FIG. 6 is a left side view thereof;  
FIG. 7 is a right side view thereof;  
FIG. 8 is a front perspective view of the bottle with cap showing my new design;  
FIG. 9 is a top plan view thereof;  
FIG. 10 is a bottom plan view thereof;  
FIG. 11 is a front view thereof;  
FIG. 12 is a rear view thereof;  
FIG. 13 is a left side view thereof;  
FIG. 14 is a right side view thereof;  
FIG. 15 is a front perspective view of the bottle portion of the claimed design with the cap removed;  
FIG. 16 is a top plan view thereof;  
FIG. 17 is a bottom plan view thereof;  
FIG. 18 is a front view thereof;  
FIG. 19 is a rear view thereof;  
FIG. 20 is a left side view thereof; and,  
FIG. 21 is a right side view thereof.

The broken lines in the drawings showing the bottom surface of the cap portion of the claim illustrate the portions of the bottle with cap that form no part of the claim.

**1 Claim, 6 Drawing Sheets**





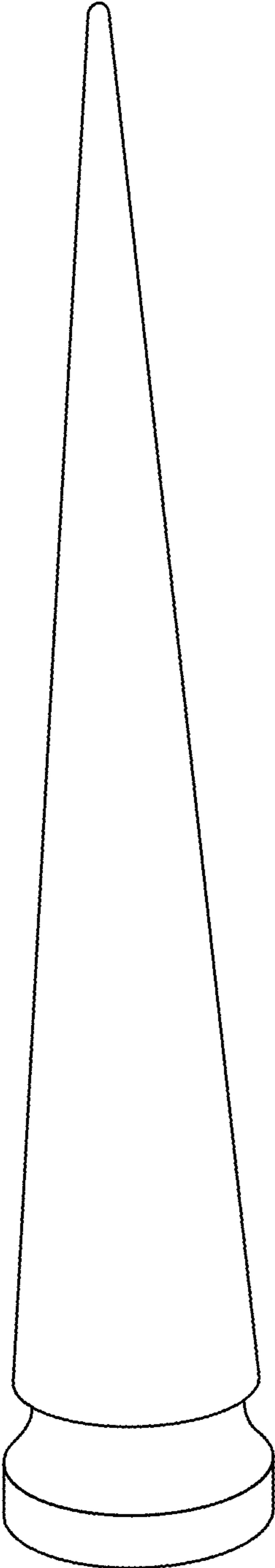


FIG. 1

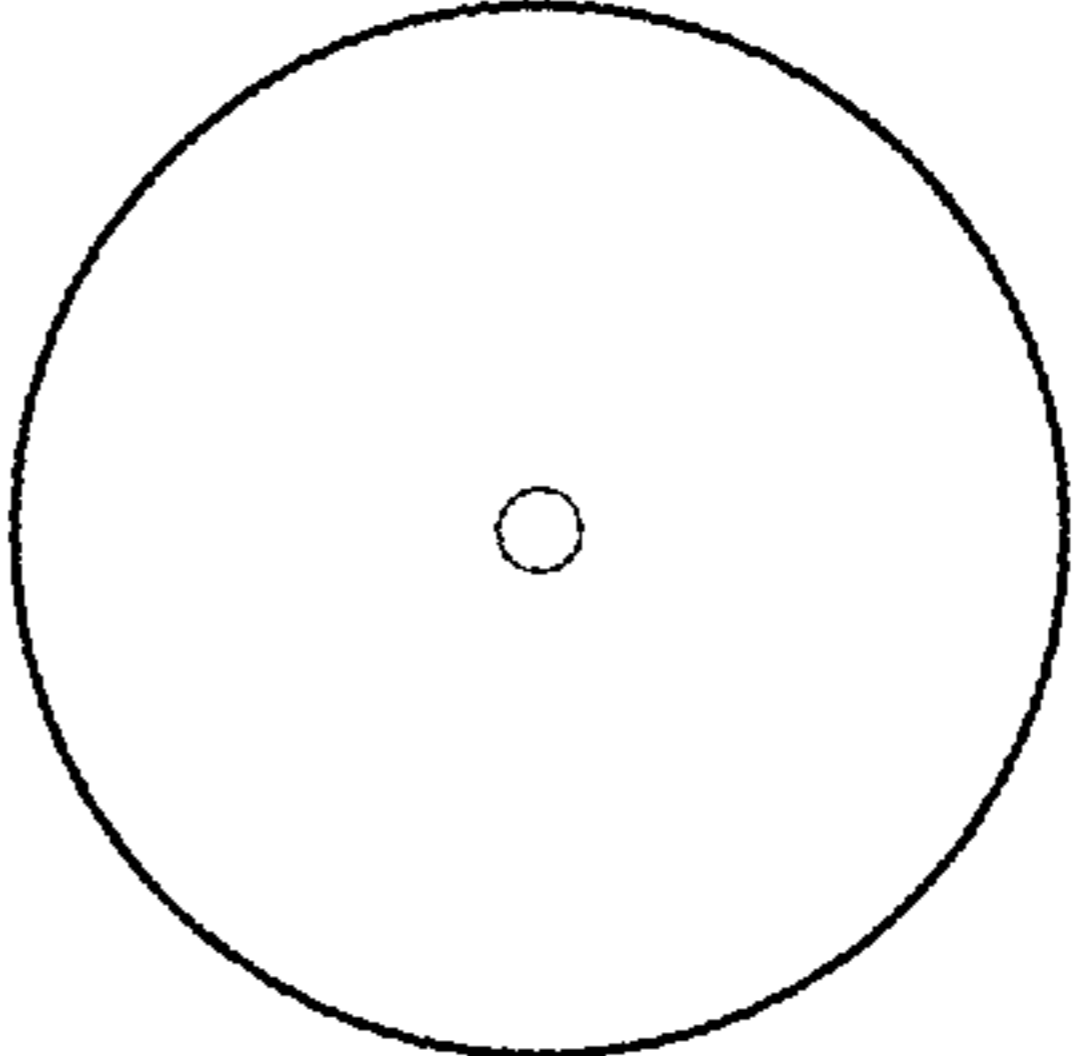


FIG. 2

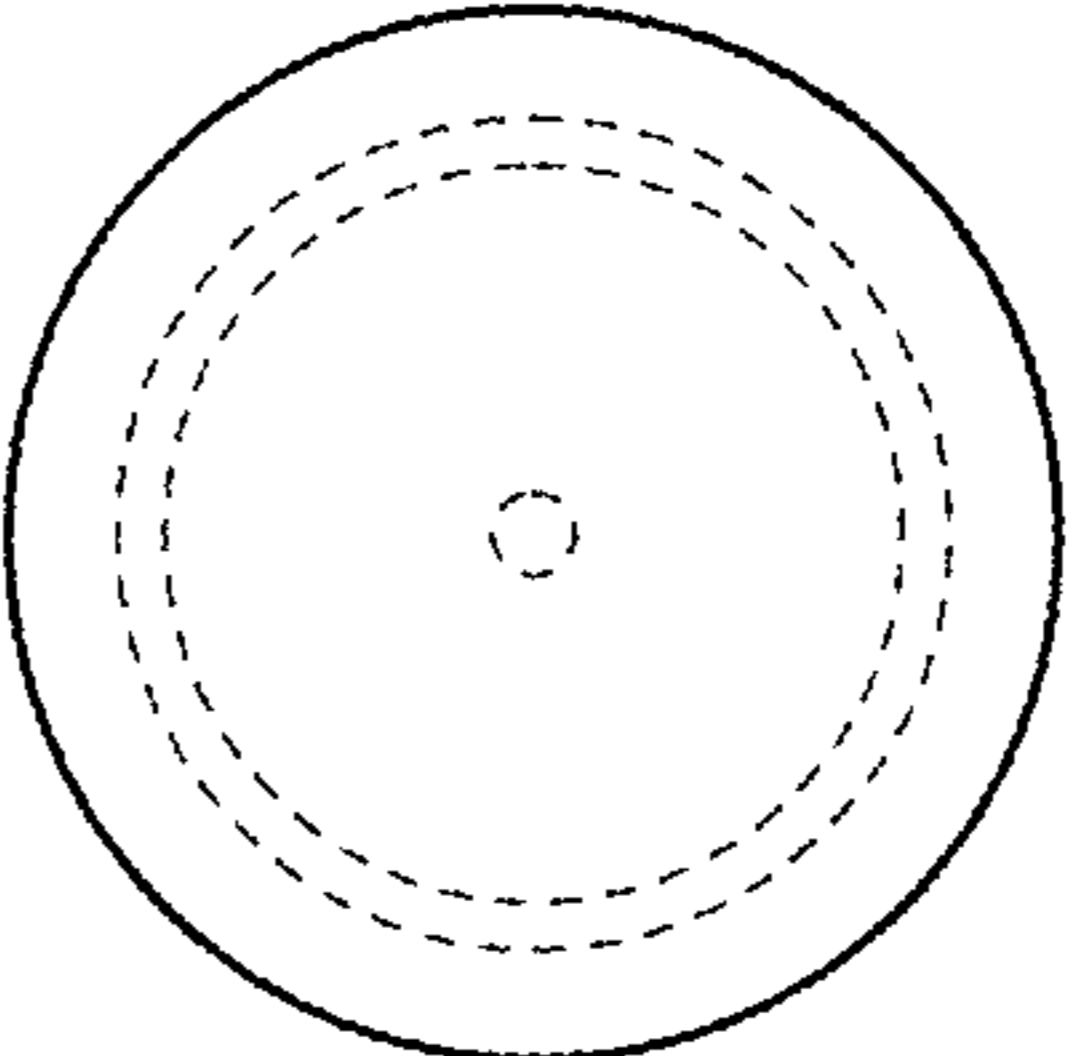


FIG. 3

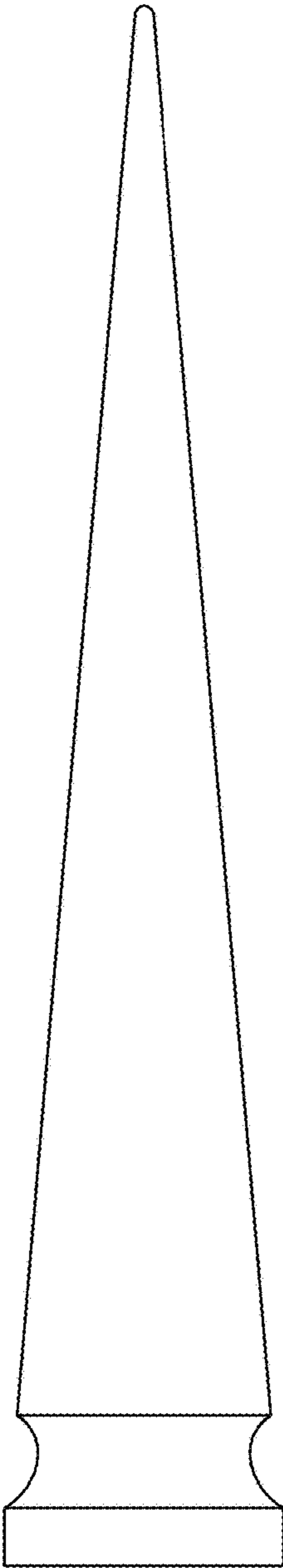


FIG. 4

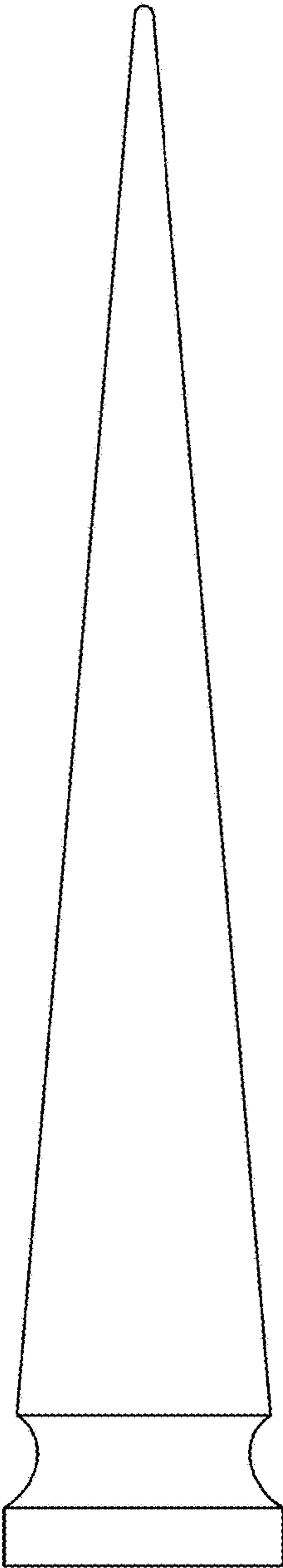


FIG. 5

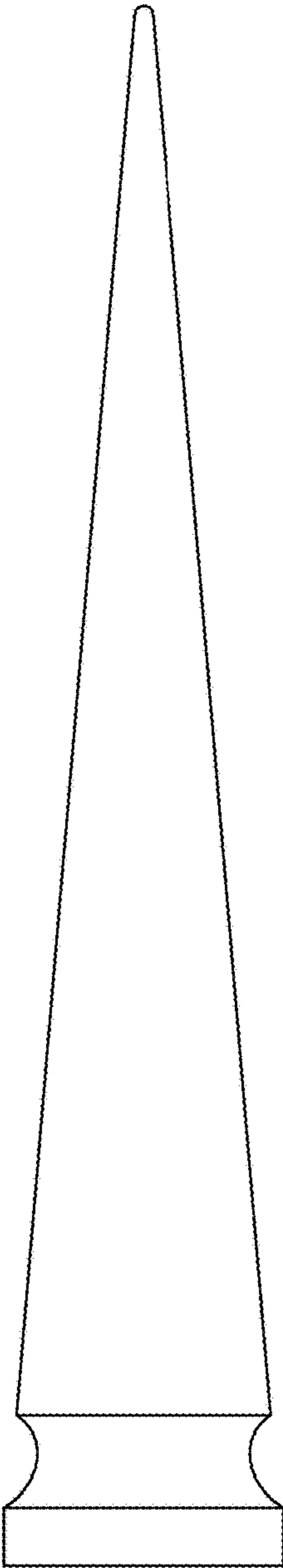


FIG. 6

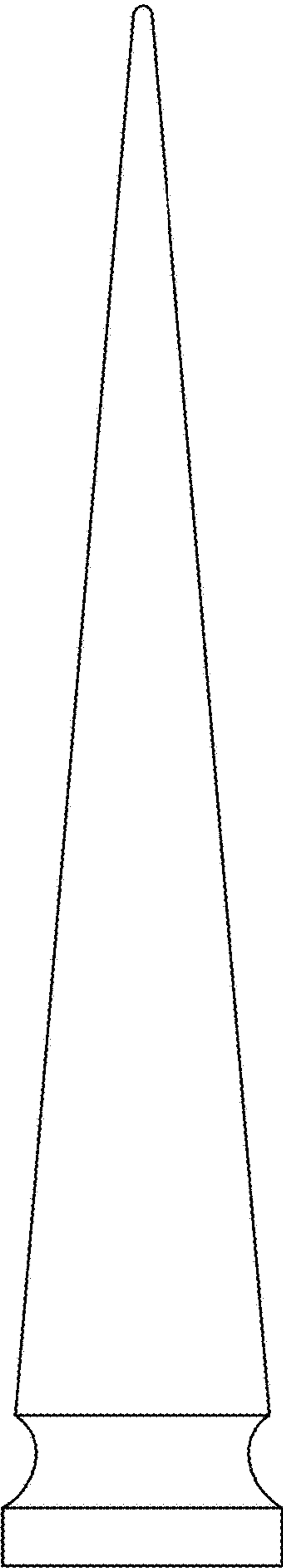


FIG. 7

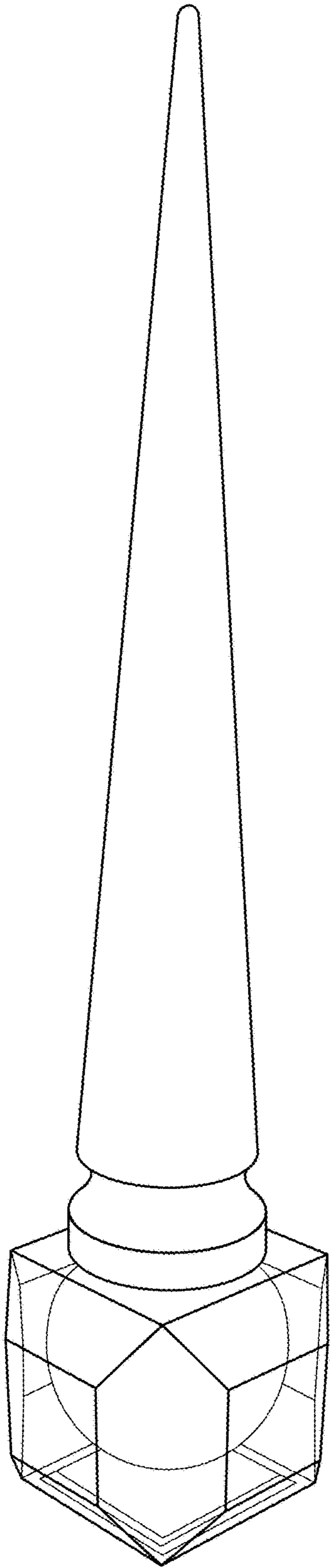


FIG. 8

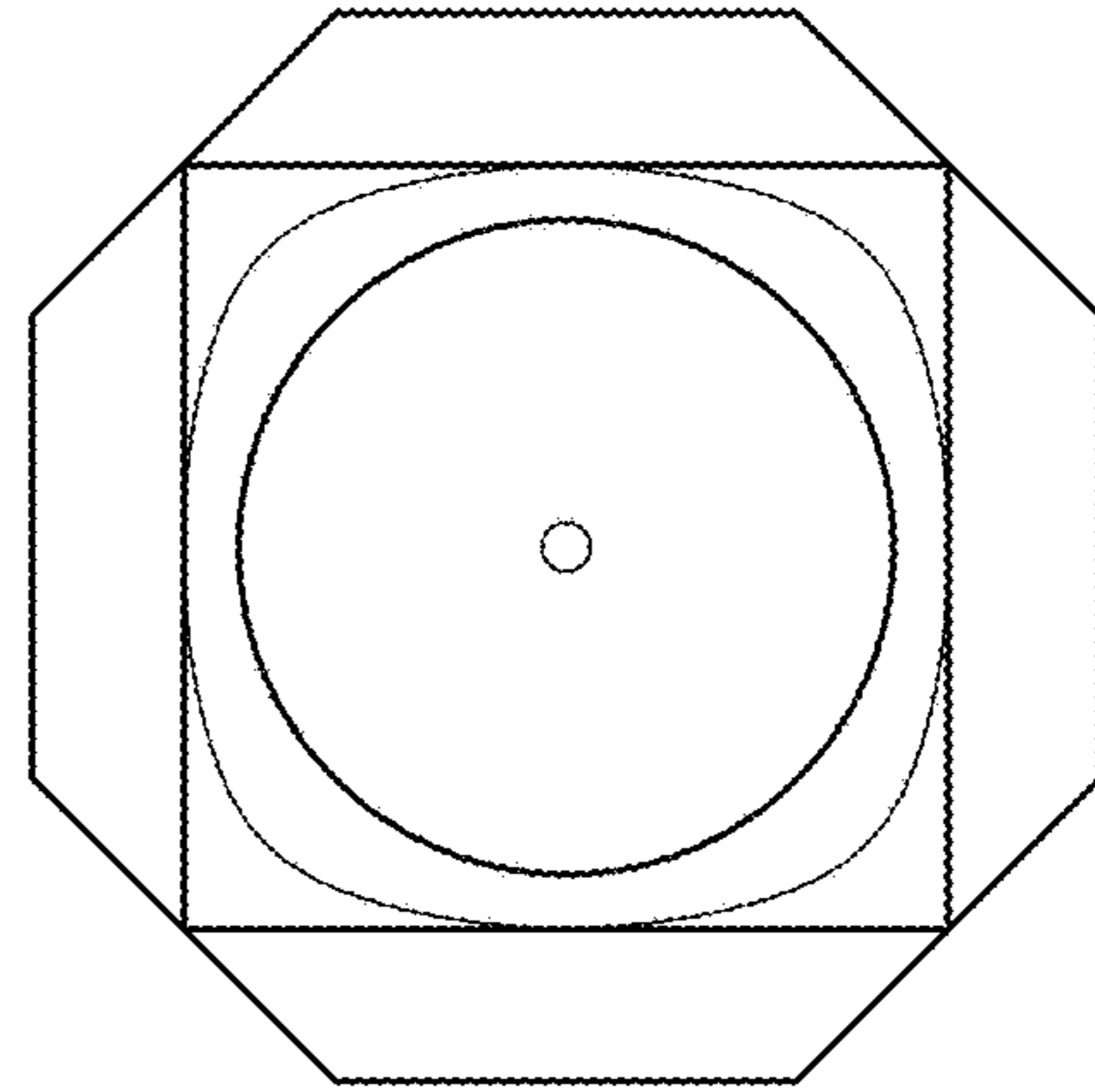


FIG. 9

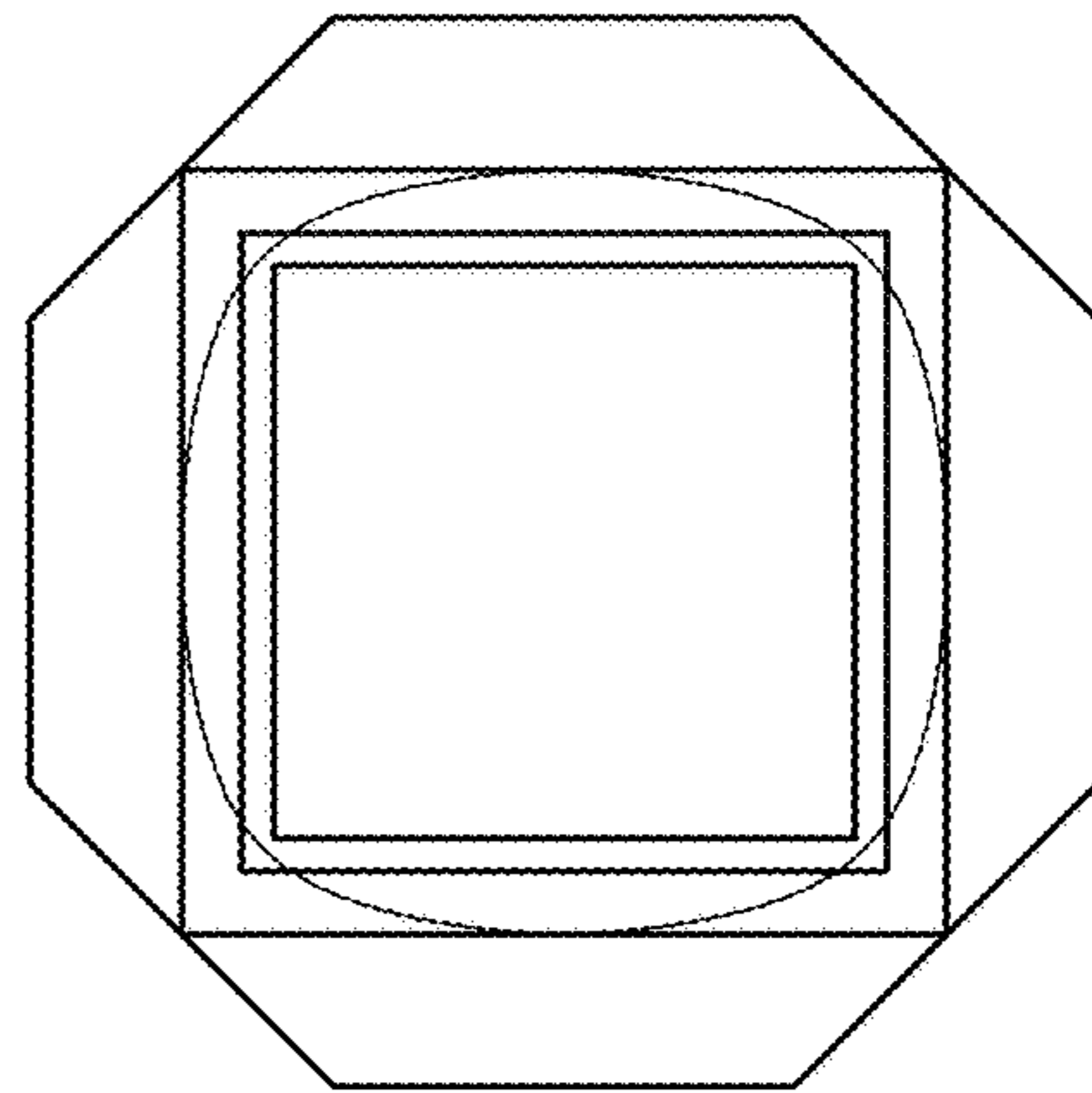


FIG. 10

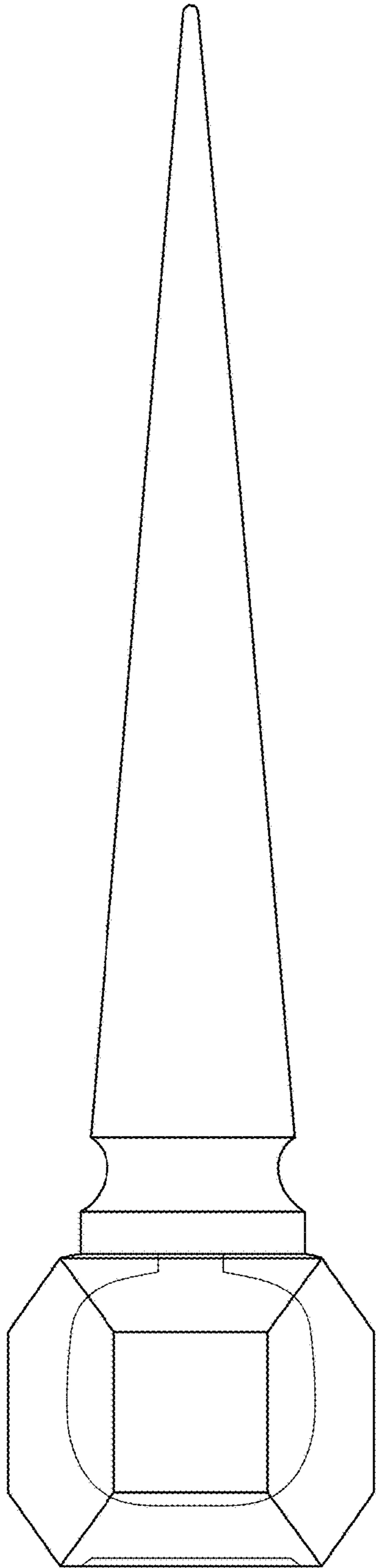


FIG. 11

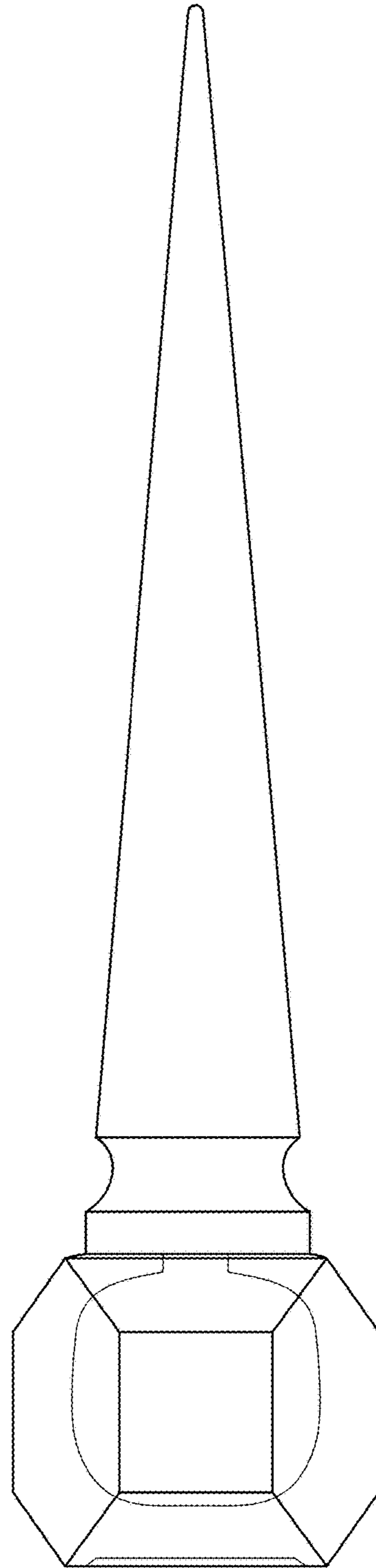


FIG. 12

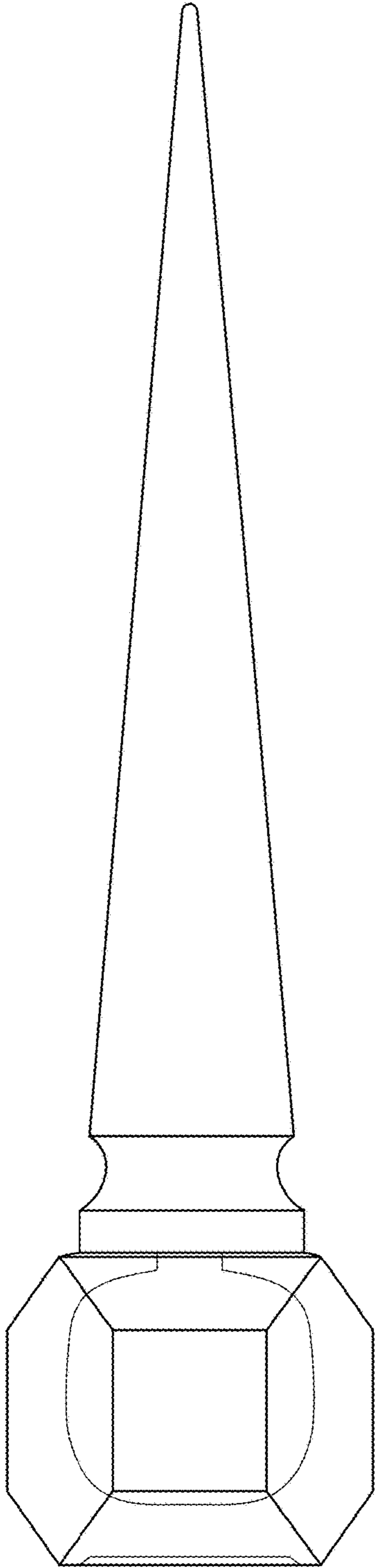


FIG. 13

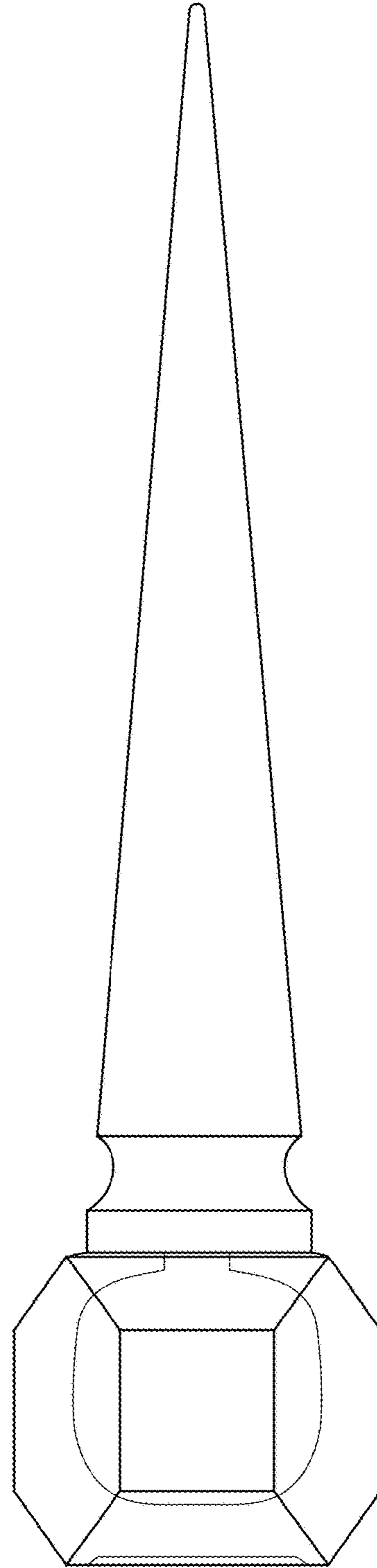


FIG. 14

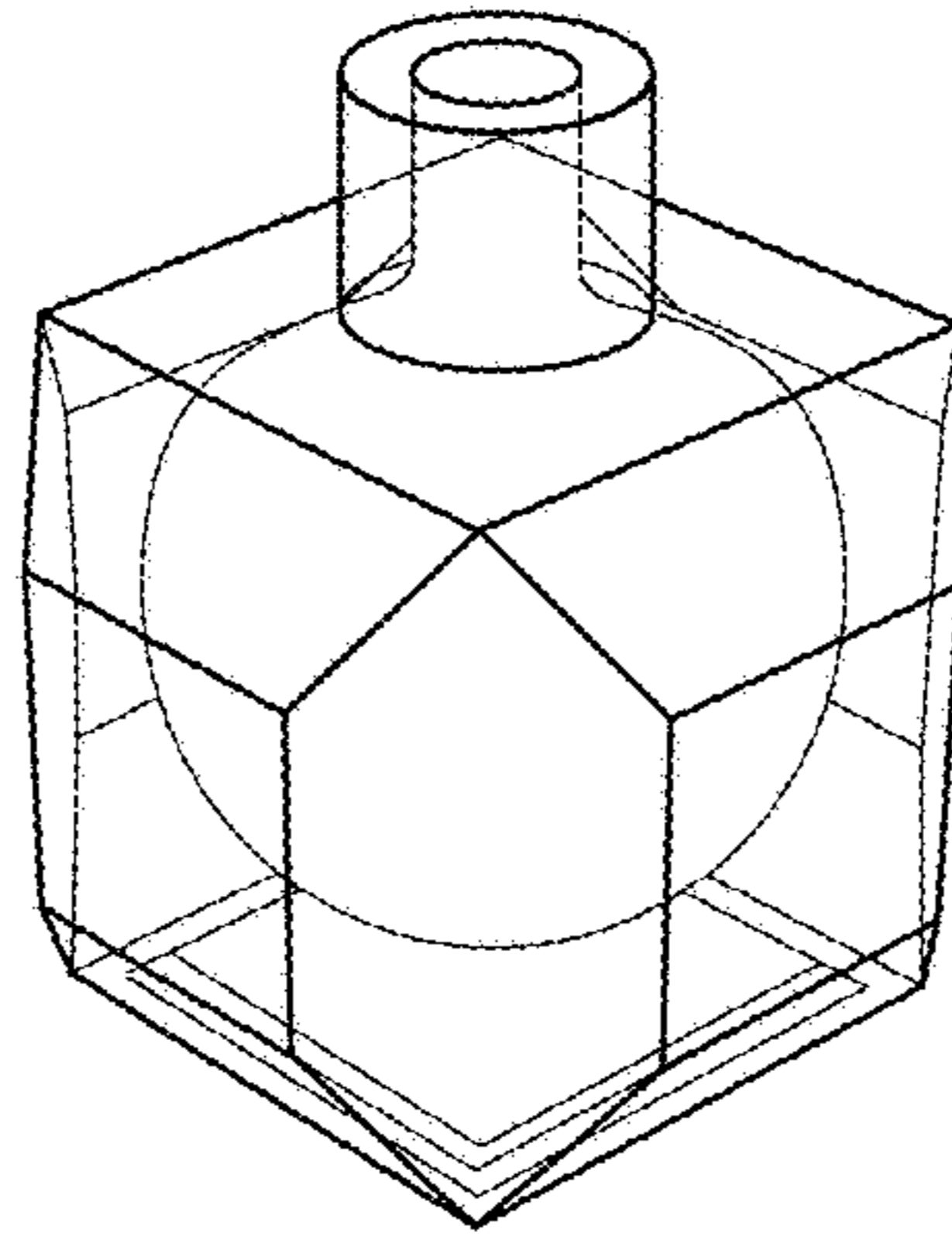


FIG. 15

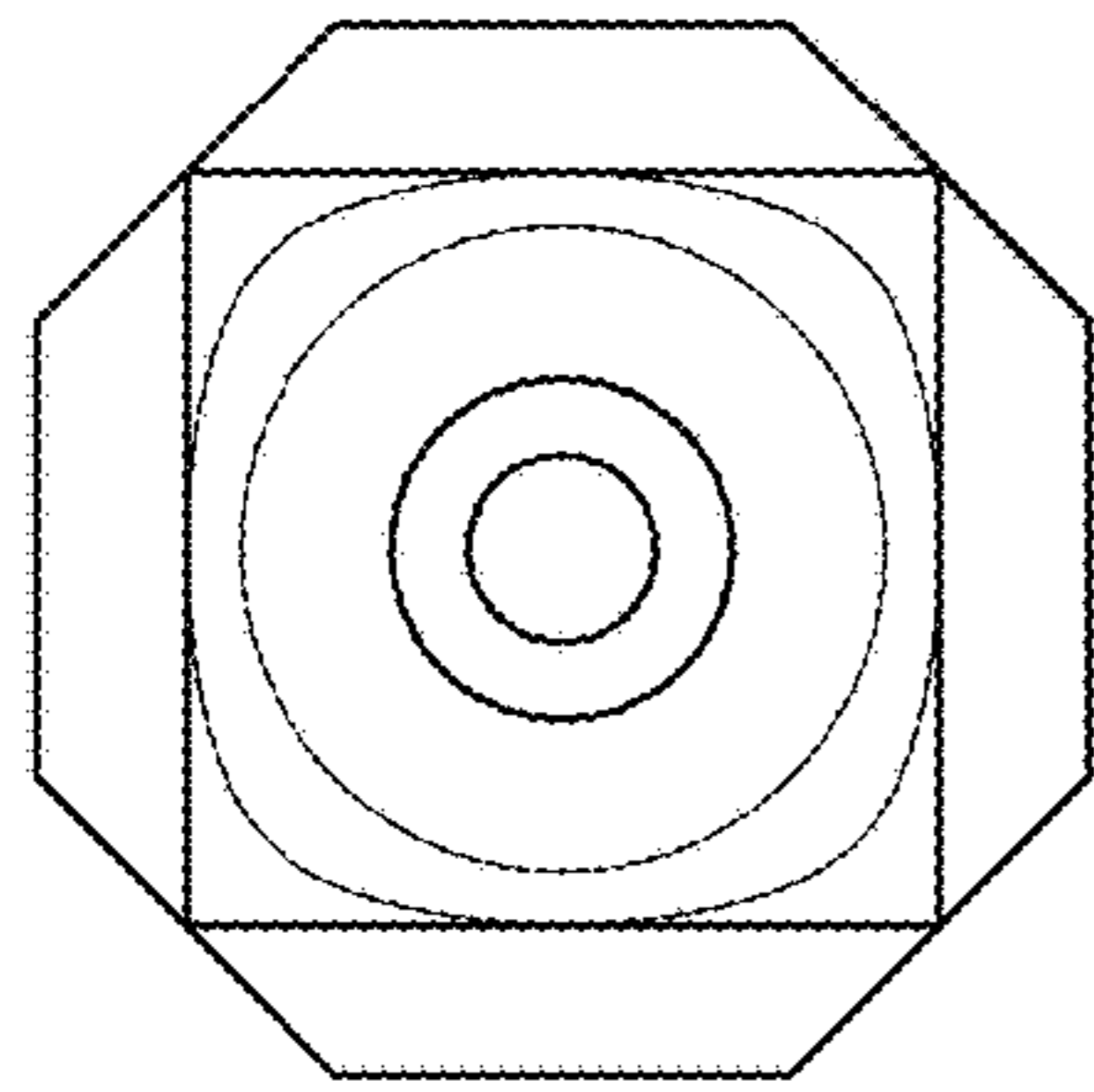


FIG. 16

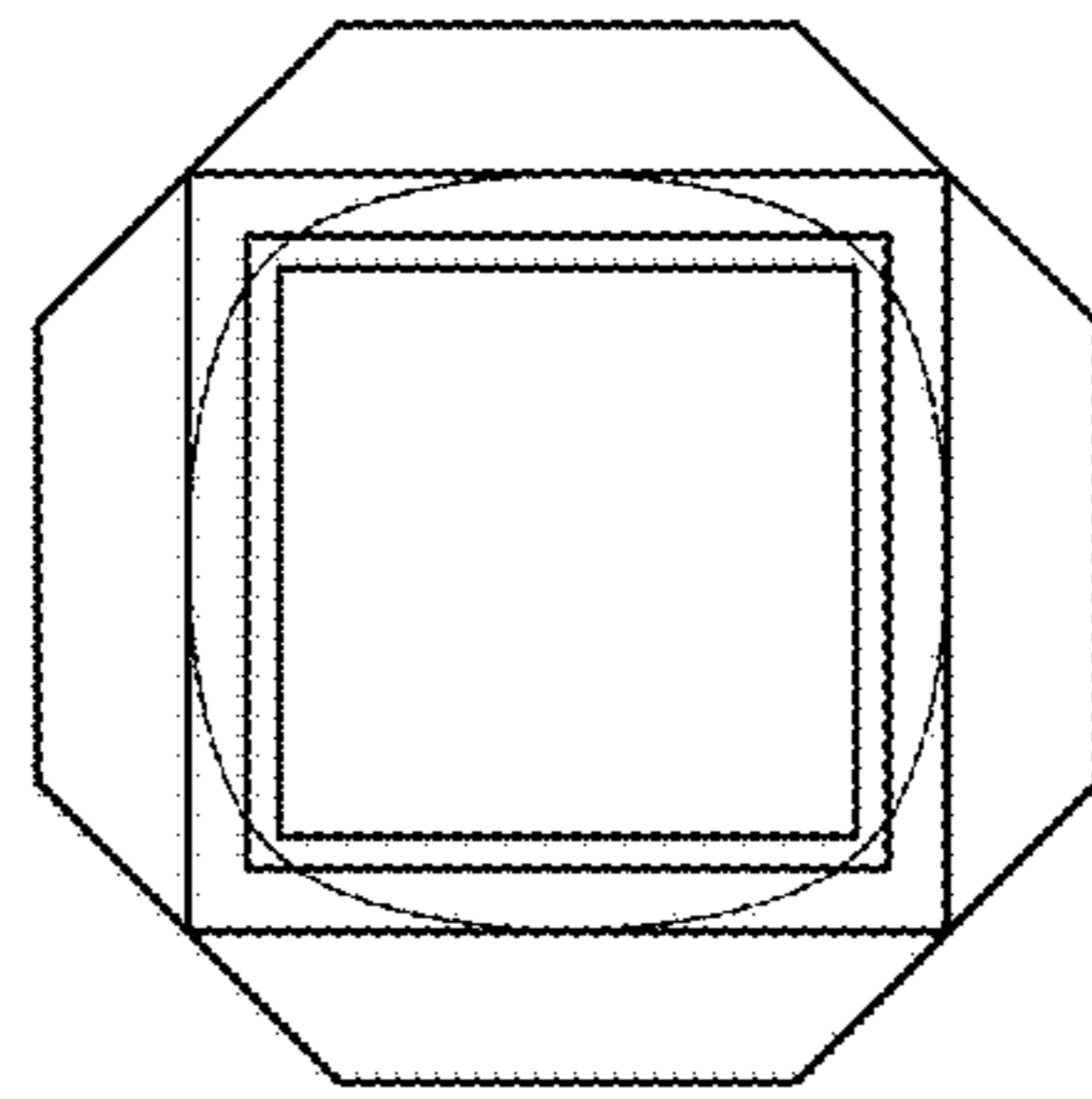


FIG. 17

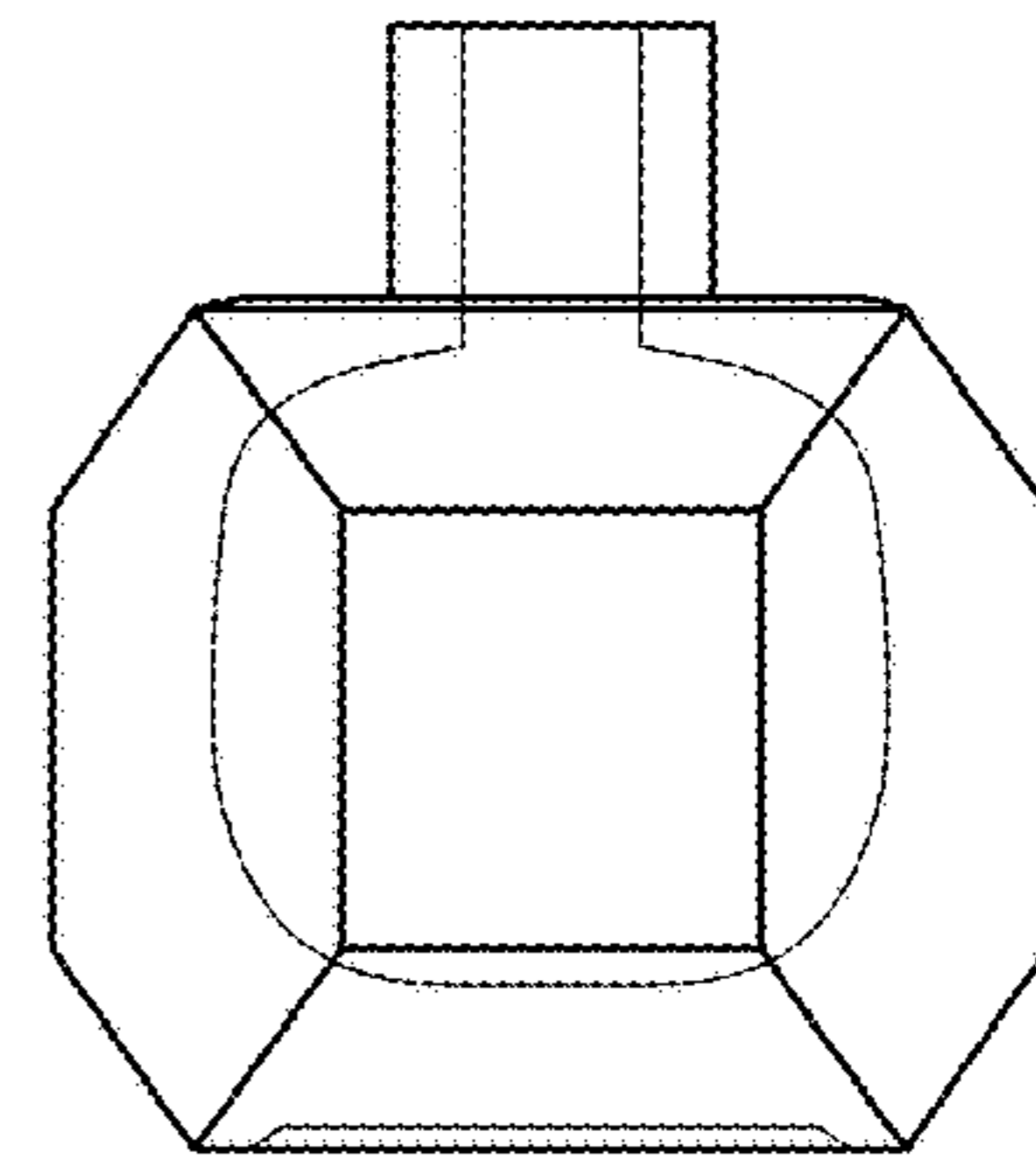


FIG. 18

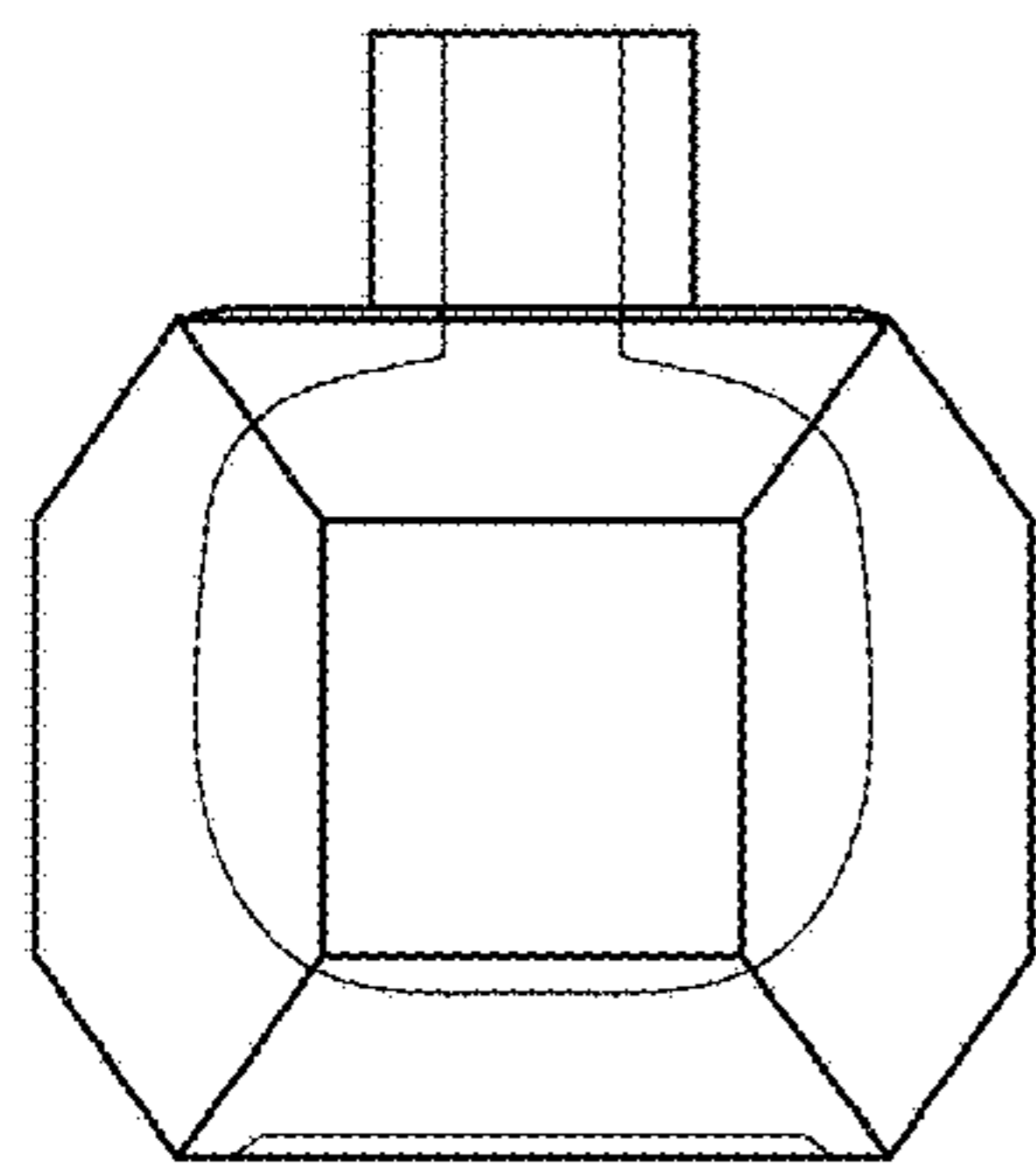


FIG. 19

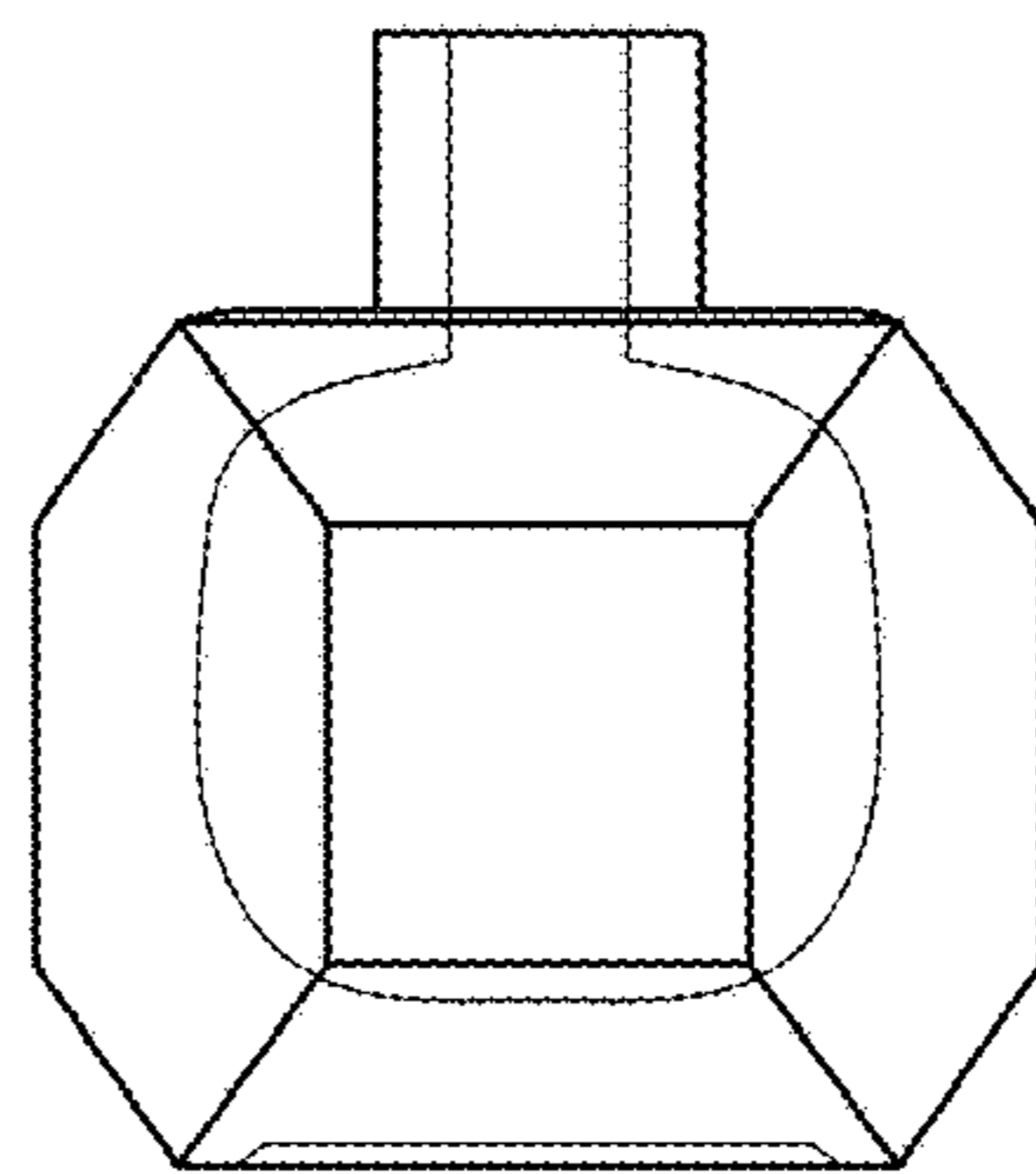


FIG. 20

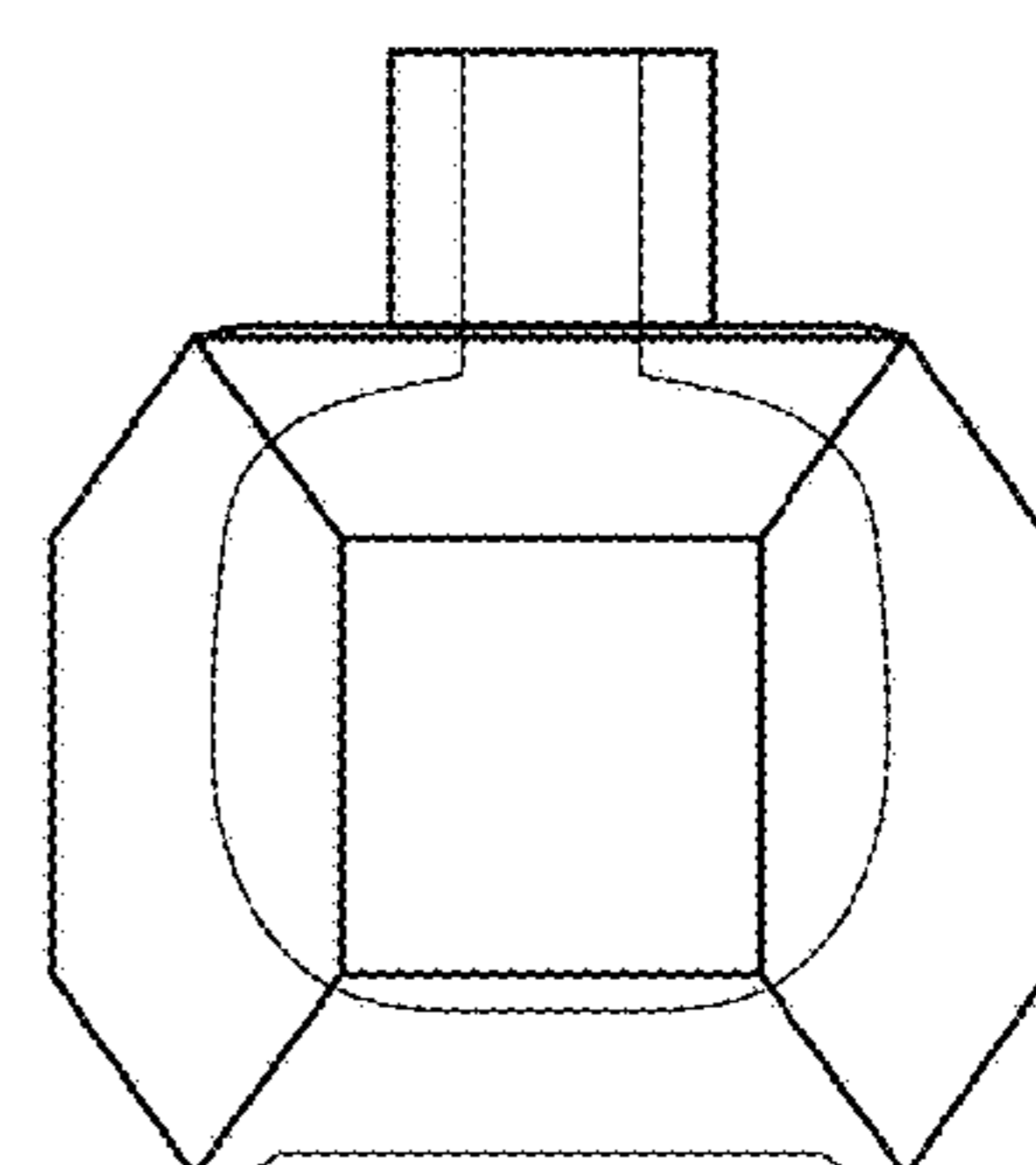


FIG. 21