



US00D773933S

(12) **United States Design Patent**
Benyavskiy

(10) **Patent No.:** **US D773,933 S**

(45) **Date of Patent:** **** Dec. 13, 2016**

(54) **CONDIMENT CUP CAP**

(71) Applicant: **Yelizar Benyavskiy**, Wilmette, IL (US)

(72) Inventor: **Yelizar Benyavskiy**, Wilmette, IL (US)

(**) Term: **15 Years**

(21) Appl. No.: **29/534,083**

(22) Filed: **Jul. 24, 2015**

(51) **LOC (10) Cl.** **09-07**

(52) **U.S. Cl.**
USPC **D9/454**

(58) **Field of Classification Search**

USPC D6/532; D7/550.1, 553.6, 553.8;
D9/434-436, 440, 443, 445, 447, 454,
D9/456, 499; 220/619, 623

CPC B65D 7/44
See application file for complete search history.

(56) **References Cited**

U.S. PATENT DOCUMENTS

D126,200 S *	4/1941	Eisenberg	131/242
D281,758 S *	12/1985	Trombly	D7/391
D308,170 S *	5/1990	Wilfong, Jr.	D9/447
D327,648 S *	7/1992	Cane	D9/435
D480,304 S *	10/2003	Stodd	D9/434
D563,785 S *	3/2008	Maki	D9/454
D571,199 S *	6/2008	Petrosino	D9/435
D602,310 S *	10/2009	Klimecki	D7/500
D632,959 S *	2/2011	Peters	D9/454
D677,162 S *	3/2013	Sharma	D7/392.1
D730,183 S *	5/2015	Fahl	D24/155
D738,210 S *	9/2015	Tanner	D9/440
D751,898 S *	3/2016	D'Anglade	D9/435

OTHER PUBLICATIONS

Alibaba. Small Reusable PP Plastic Portion Cup with Lid. 2016 [earliest online date], [site visited Jul. 12, 2016]. Available from

Internet, <URL:https://www.alibaba.com/product-detail/Small-Reusable-PP-Plastic-Portion-Cup_60354744816.html?spm=a2700.7724857.0.0.gekyu4&s=p>.*

* cited by examiner

Primary Examiner — Robert M Spear

Assistant Examiner — Darcey E Heflin

(74) *Attorney, Agent, or Firm* — James Faier; Martin Faier; Faier & Faier

(57) **CLAIM**

The ornamental design for a condiment cup cap, as shown and described.

DESCRIPTION

A portion of the disclosure of this patent document contains material to which a claim for copyright is made. The copyright owner has no objection to the reproduction of the patent document or the patent disclosure, as it appears in the U.S. Patent Office records, but reserves all other copyrights whatsoever.

FIG. 1 is a perspective view of the bottom side of the present invention with a condiment cup shown in broken lines;

FIG. 2 is a perspective view of the bottom side of the present invention;

FIG. 3 is a front elevation of the present invention with a condiment cup in shown in broken lines;

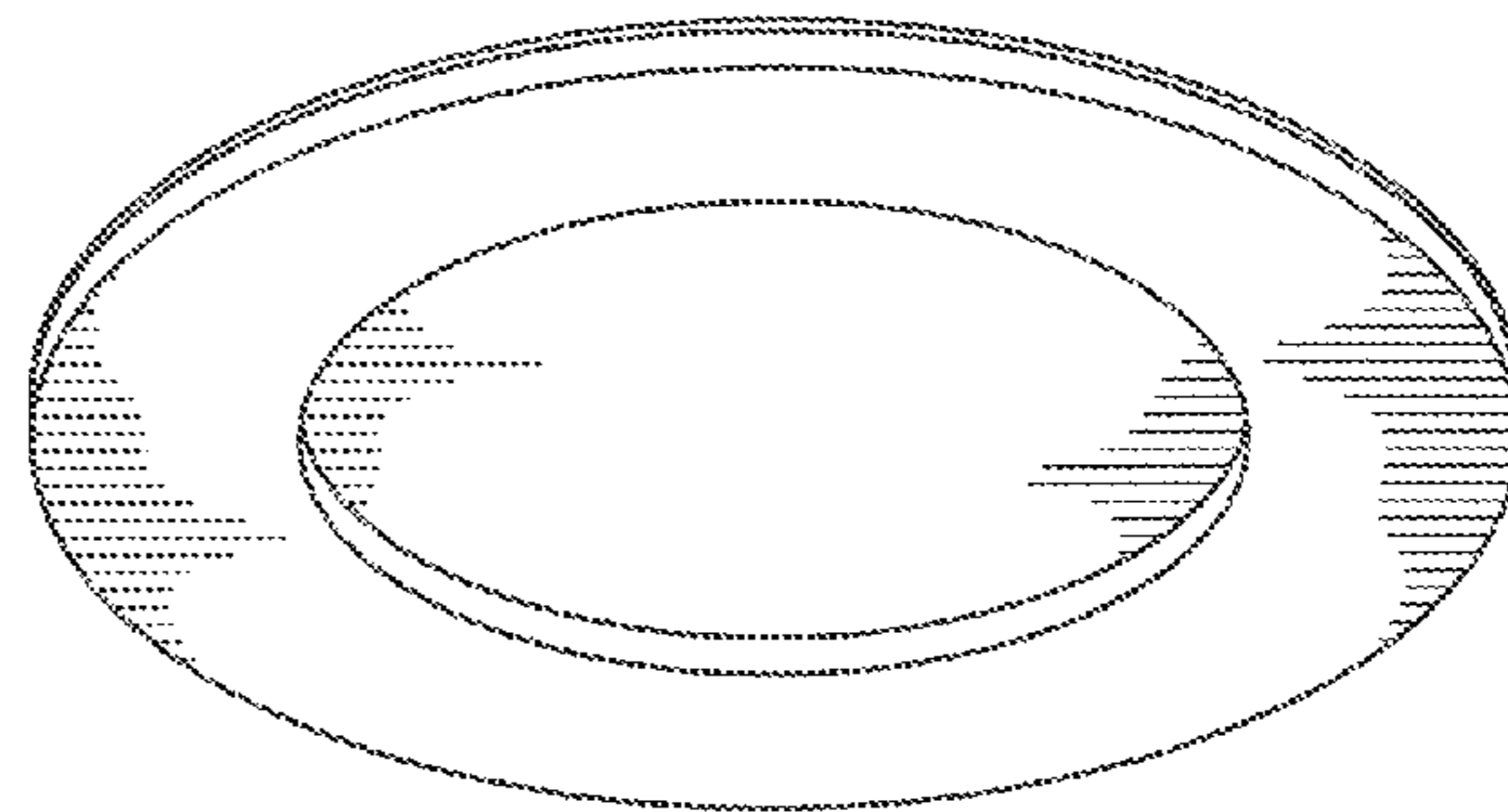
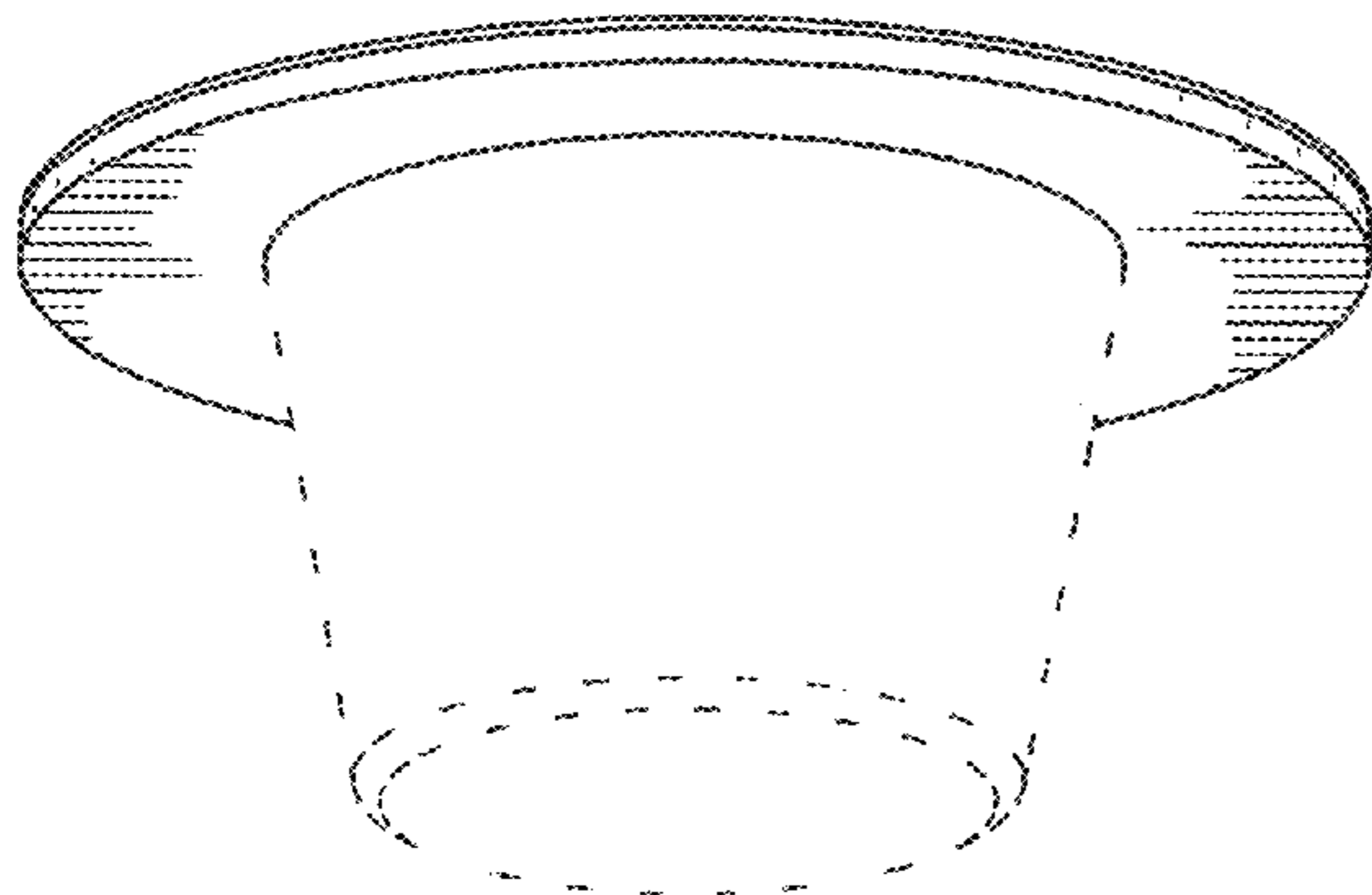
FIG. 4 is top view of the present invention;

FIG. 5 is a bottom view of the present invention; and,

FIG. 6 is sectional view of the present invention.

In the drawings, the broken line showing of a condiment cup depicts environment and forms no part of the claim.

1 Claim, 6 Drawing Sheets



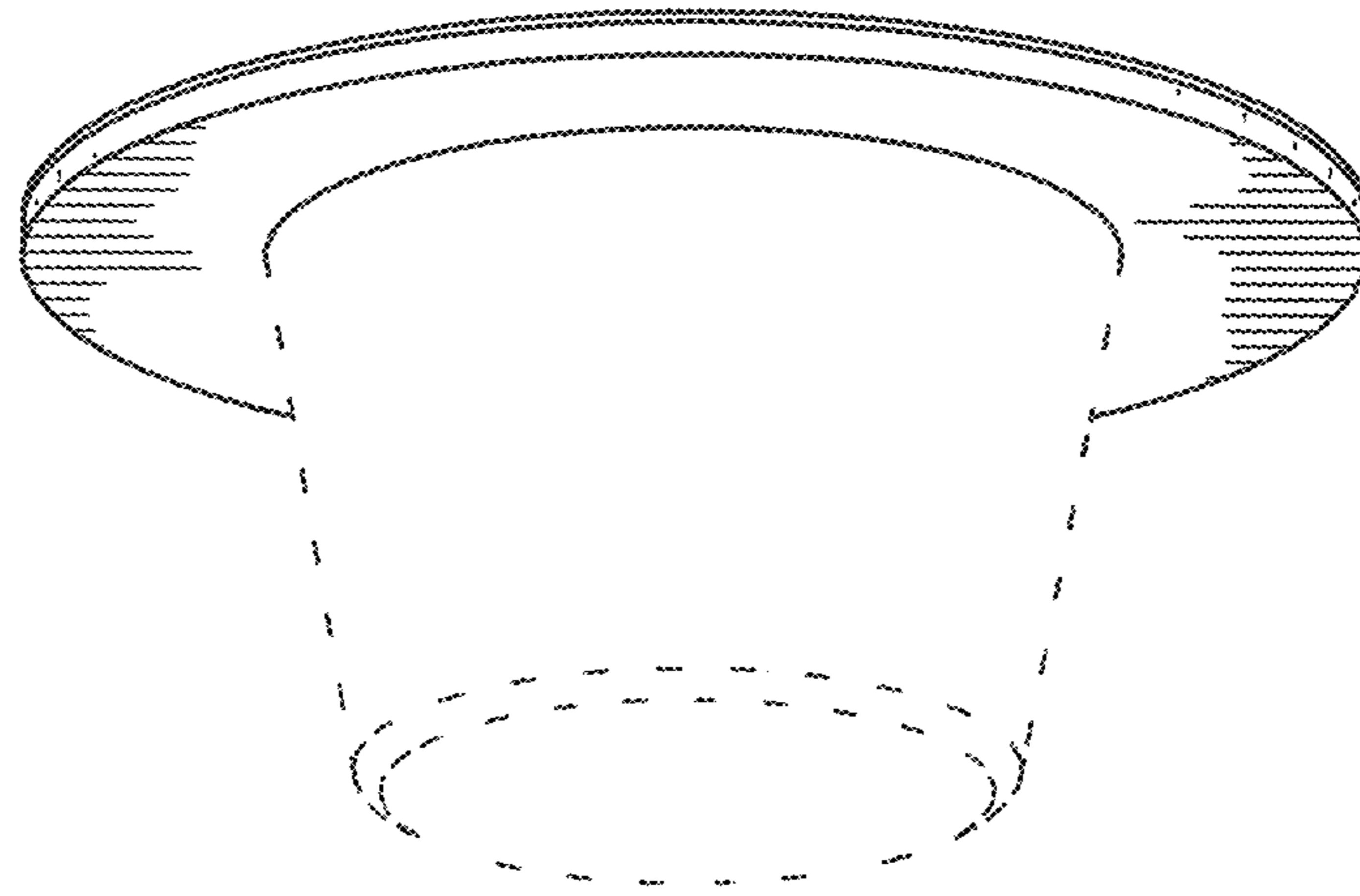


FIG. 1

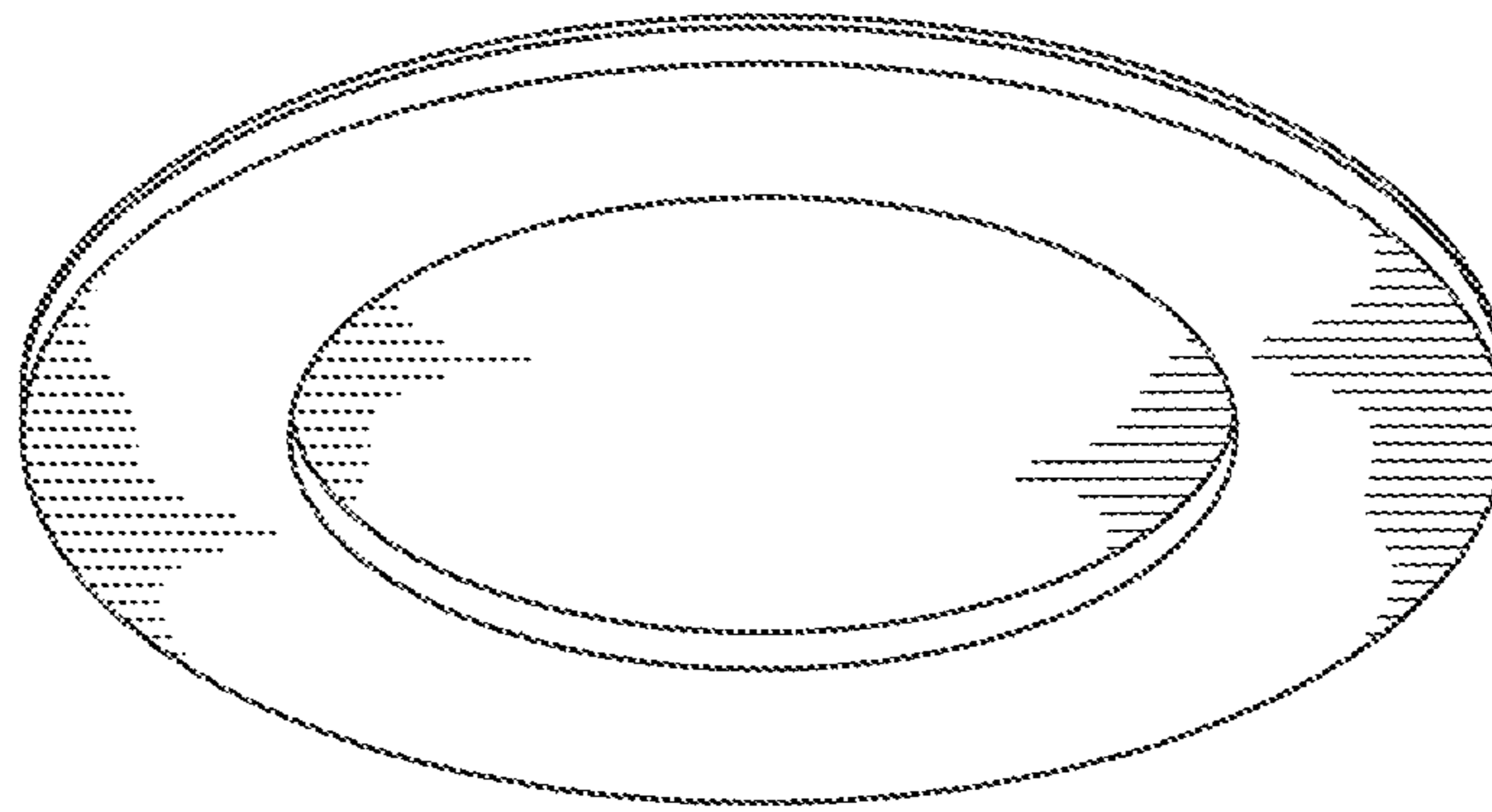


FIG. 2

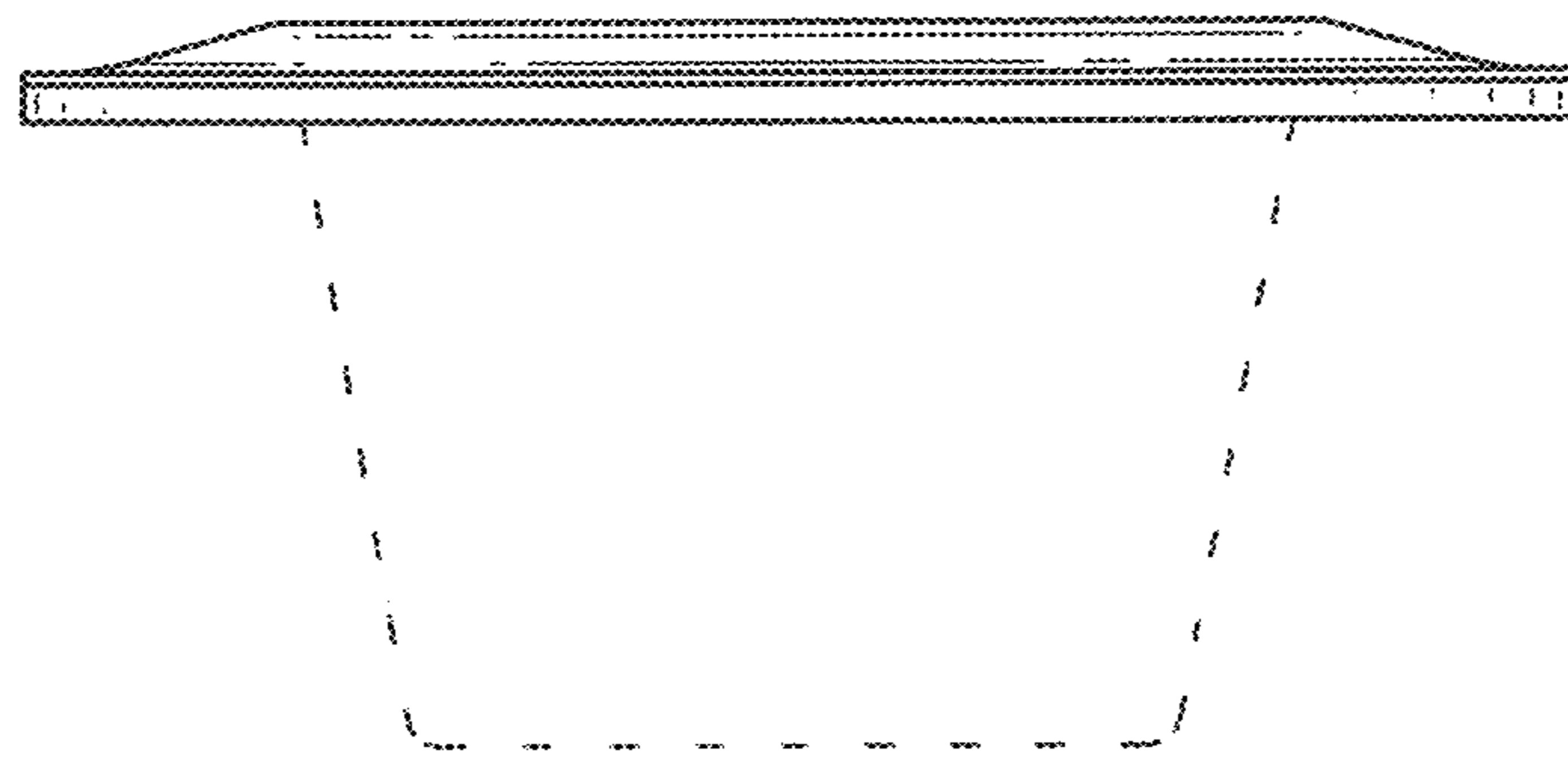


FIG. 3

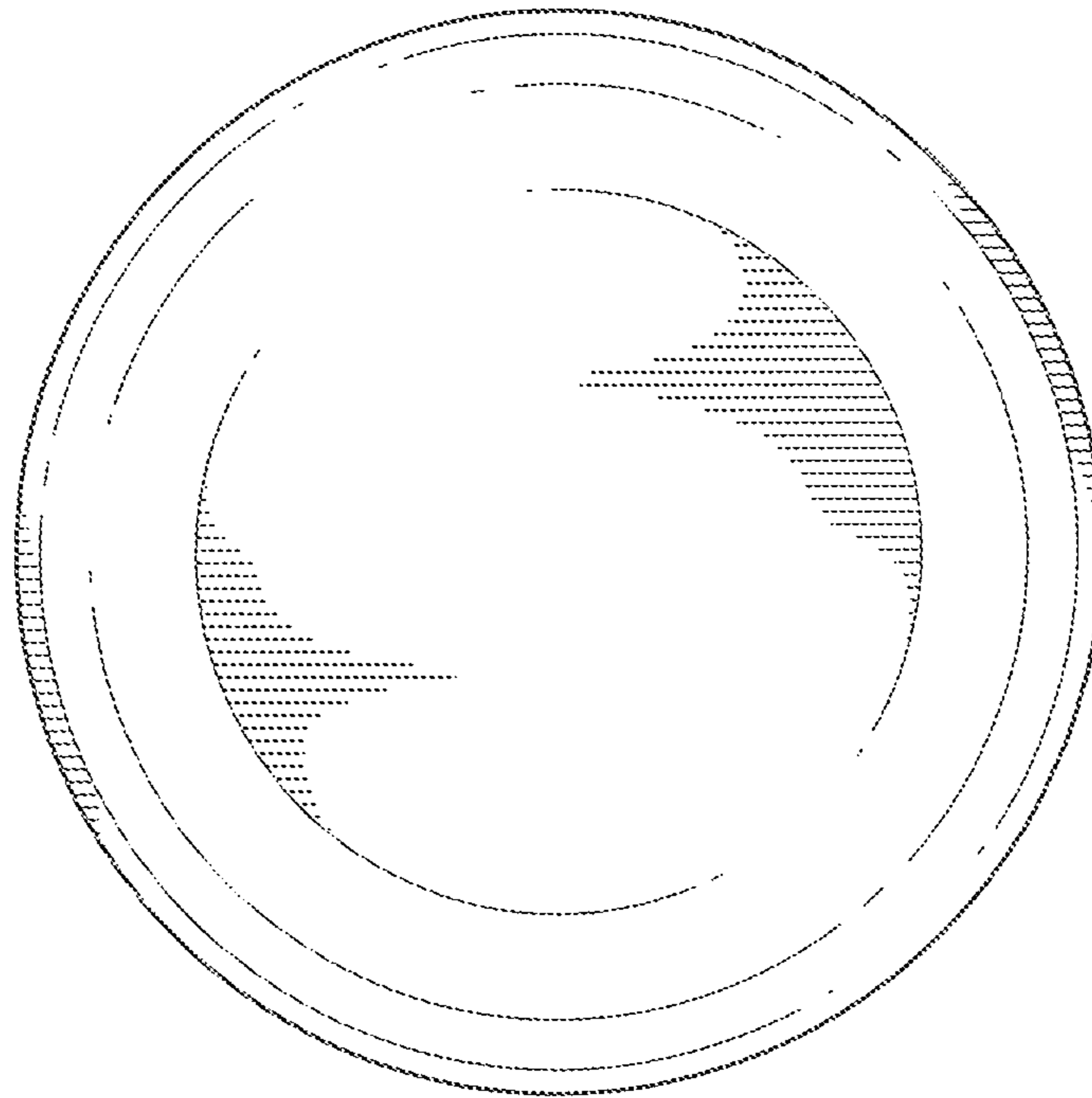


FIG. 4

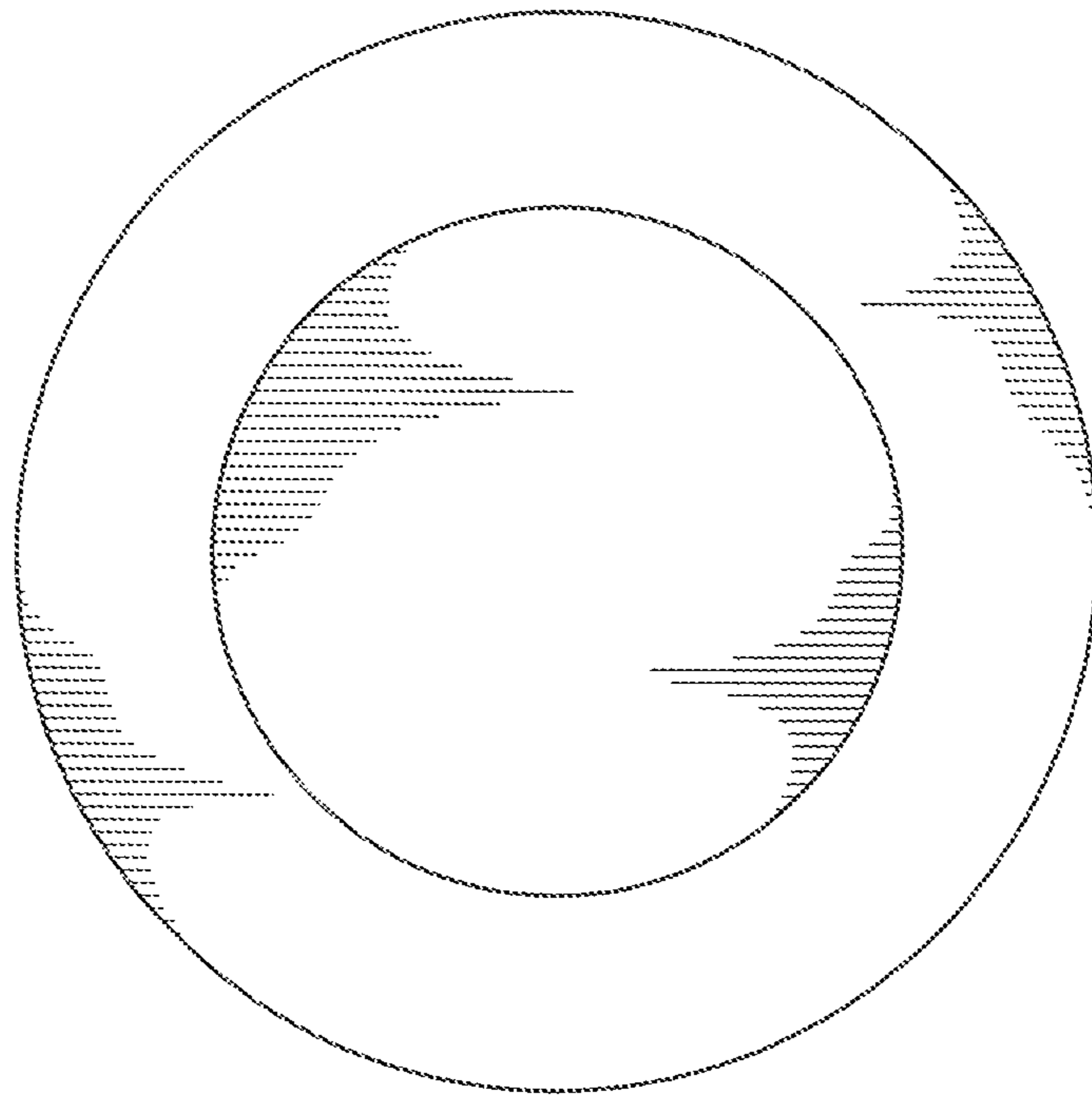


FIG. 5

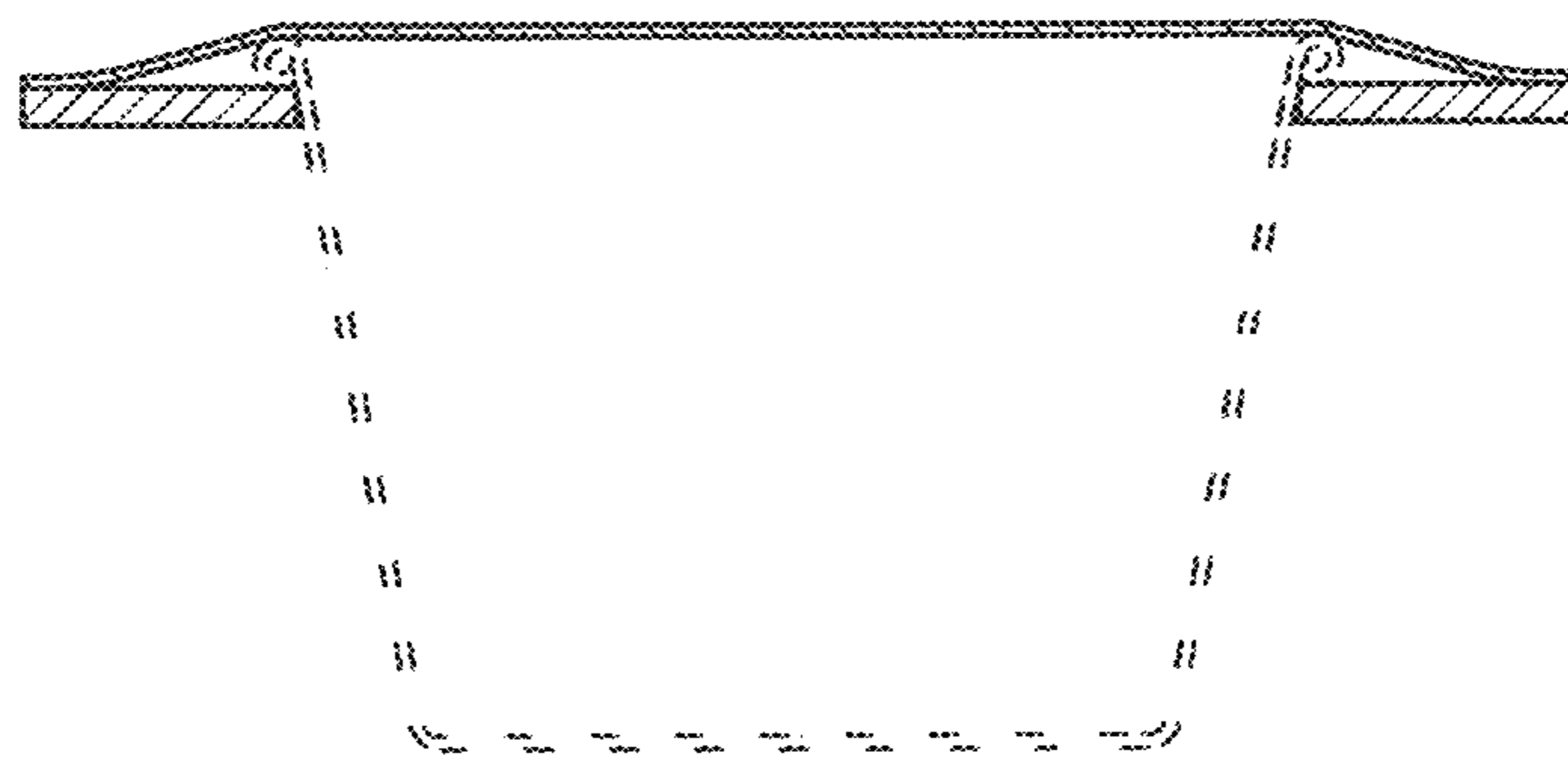


FIG. 6