



US00D773931S

(12) **United States Design Patent** (10) **Patent No.:** **US D773,931 S**
Liu (45) **Date of Patent:** **** Dec. 13, 2016**

(54) **CONTAINER LID**
(71) Applicant: **Free-Free Industrial Corp.**, Taipei (TW)
(72) Inventor: **Sheng-Yu Liu**, Taipei (TW)
(73) Assignee: **Free-Free Industrial Corp.**, Taipei (TW)
(**) Term: **15 Years**
(21) Appl. No.: **29/545,357**
(22) Filed: **Nov. 12, 2015**
(51) **LOC (10) Cl.** **09-07**
(52) **U.S. Cl.**
USPC **D9/449**
(58) **Field of Classification Search**
USPC D9/415, 434, 435, 440, 446-450, 452, D9/453, 454, 455-457, 499; D7/387, 388, D7/396.2, 396.4, 396.6, 398, 403, 509, D7/510, 511; D3/202, 203.2, 247, 294, D3/304, 318; D28/91.1; D8/343, 346, D8/352, 382, 397, 399
CPC A61J 1/00; A61J 1/1412; B65D 1/00; B65D 1/02; B65D 1/10; B65D 1/46; B65D 2585/56; B65D 41/00; B65D 41/56; B65D 41/62; B65D 47/06; B65D 47/08; B65D 2543/00046; B65D 2543/00092; B65D 2543/00296
See application file for complete search history.

5,626,251 A * 5/1997 Luburic B65D 43/0256 215/256
D485,759 S * 1/2004 Janky D7/392.1
D487,342 S * 3/2004 Yewdall D3/203.2
D503,534 S * 4/2005 Dong D3/276
D514,441 S * 2/2006 Snedden D9/418
D523,747 S * 6/2006 Snedden D9/435
D554,498 S * 11/2007 Lovett D7/629
D603,168 S * 11/2009 Melhede D3/318
D619,424 S * 7/2010 Yang D7/615
D620,257 S * 7/2010 Fujimura D3/294
D680,866 S * 4/2013 Golota D9/435
D722,873 S * 2/2015 Wu D9/447
D759,434 S * 6/2016 Duvigneau D7/615
2006/0266750 A1 * 11/2006 Lesquir B65D 43/0256 220/276
2009/0120937 A1 * 5/2009 Vovan B65D 43/0206 220/266
2012/0164283 A1 * 6/2012 Kissner B65D 43/0212 426/112
2014/0263340 A1 * 9/2014 Audette A47J 43/07 220/324

* cited by examiner

Primary Examiner — Karen S Acker
Assistant Examiner — Wendy Arminio
(74) *Attorney, Agent, or Firm* — Husch Blackwell LLP

(57) **CLAIM**

The ornamental design for a container lid, as shown and described.

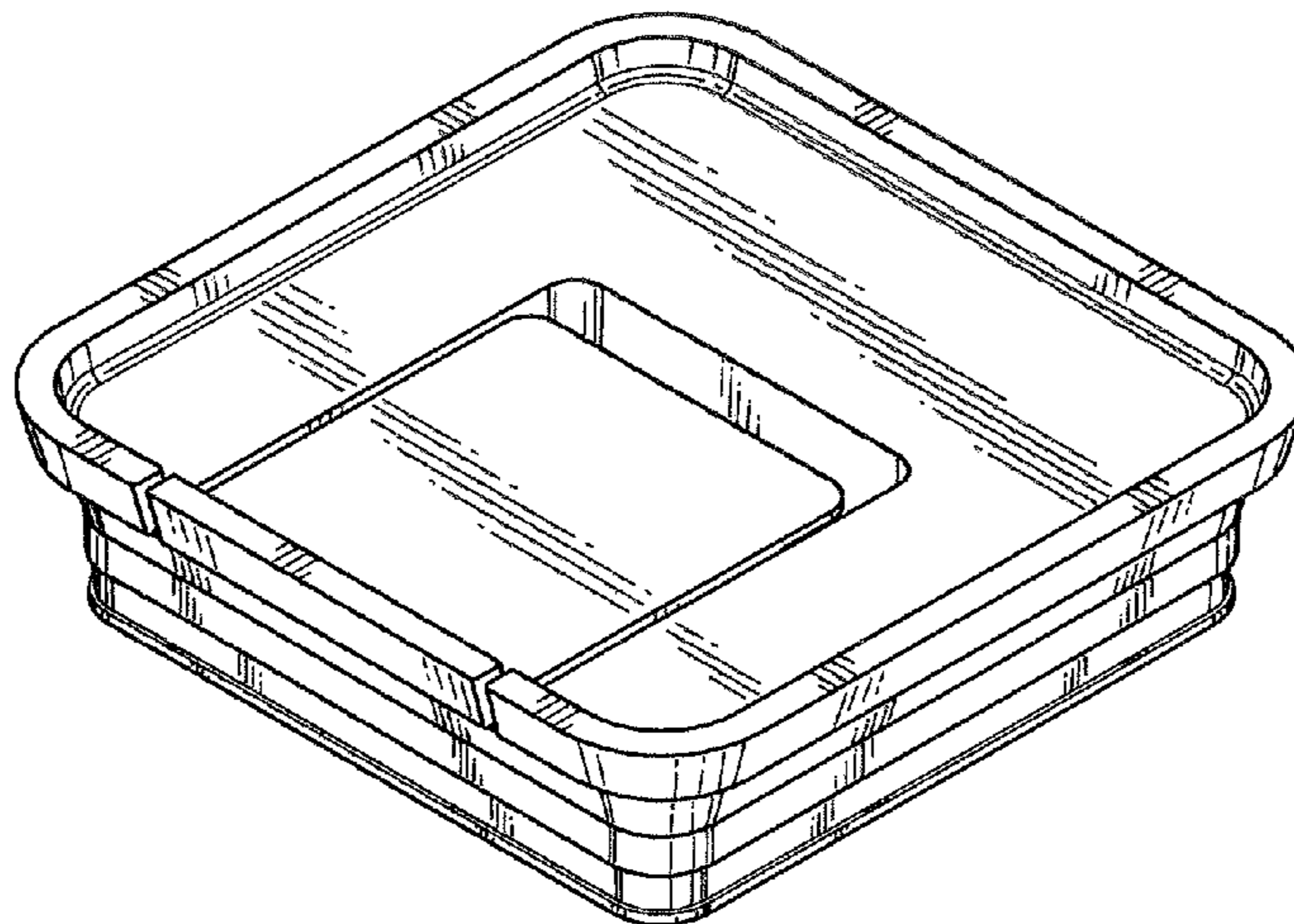
DESCRIPTION

FIG. 1 is a perspective view of the container lid showing my new design;
FIG. 2 is a front elevational view thereof;
FIG. 3 is a rear elevational view thereof;
FIG. 4 is a left side elevational view thereof;
FIG. 5 is a right side elevational view thereof;
FIG. 6 is a top plan view thereof; and,
FIG. 7 is a bottom plan view thereof.

1 Claim, 4 Drawing Sheets

(56) **References Cited**
U.S. PATENT DOCUMENTS

D3,358 S * 2/1869 Pratt D9/434
2,606,586 A * 8/1952 Hill B65D 21/0233 206/518
D336,018 S * 6/1993 Smith D7/629
D355,814 S * 2/1995 VanValkenburg D7/538
5,617,968 A * 4/1997 Luburic B65D 43/0256 220/266



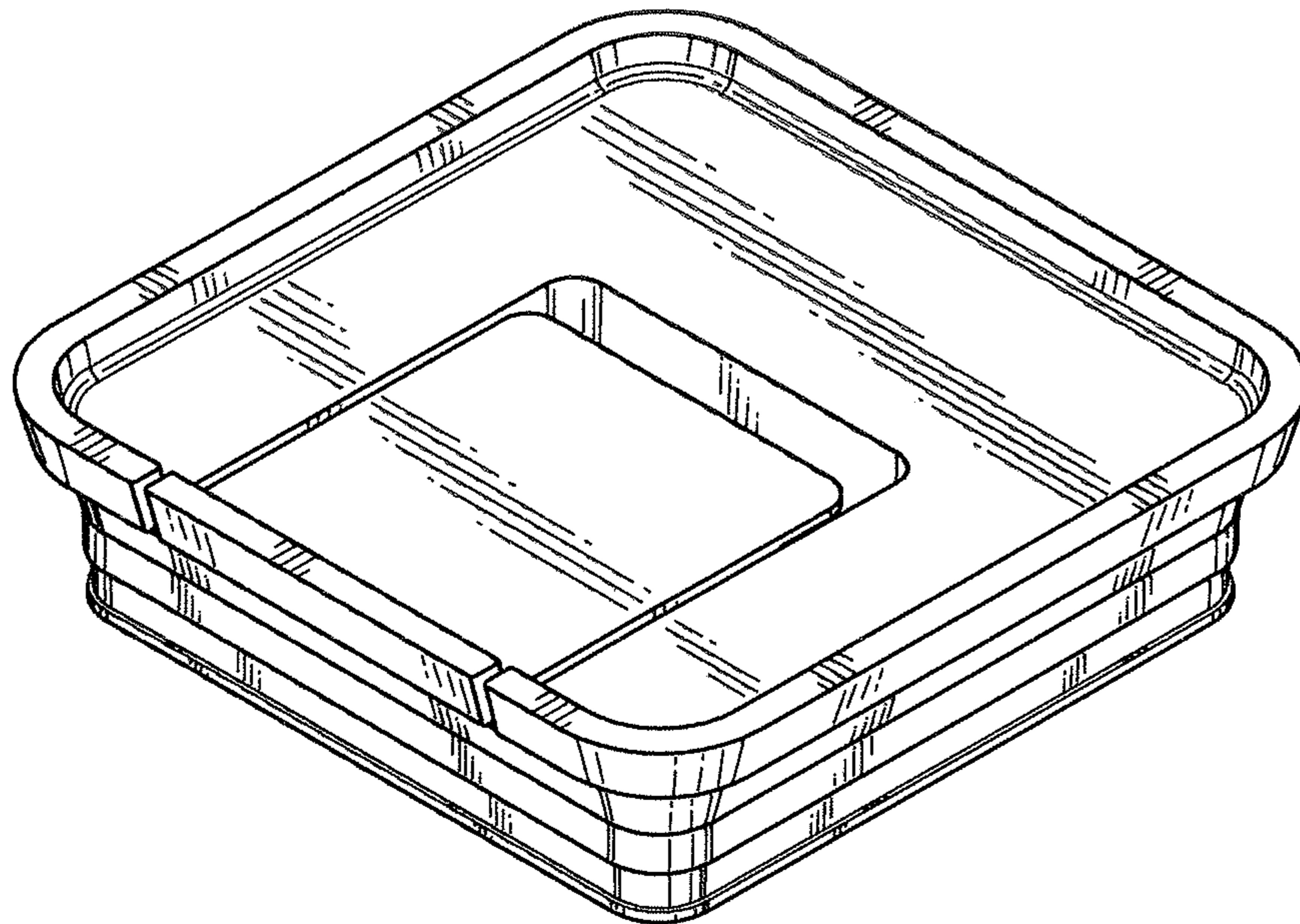


FIG.1

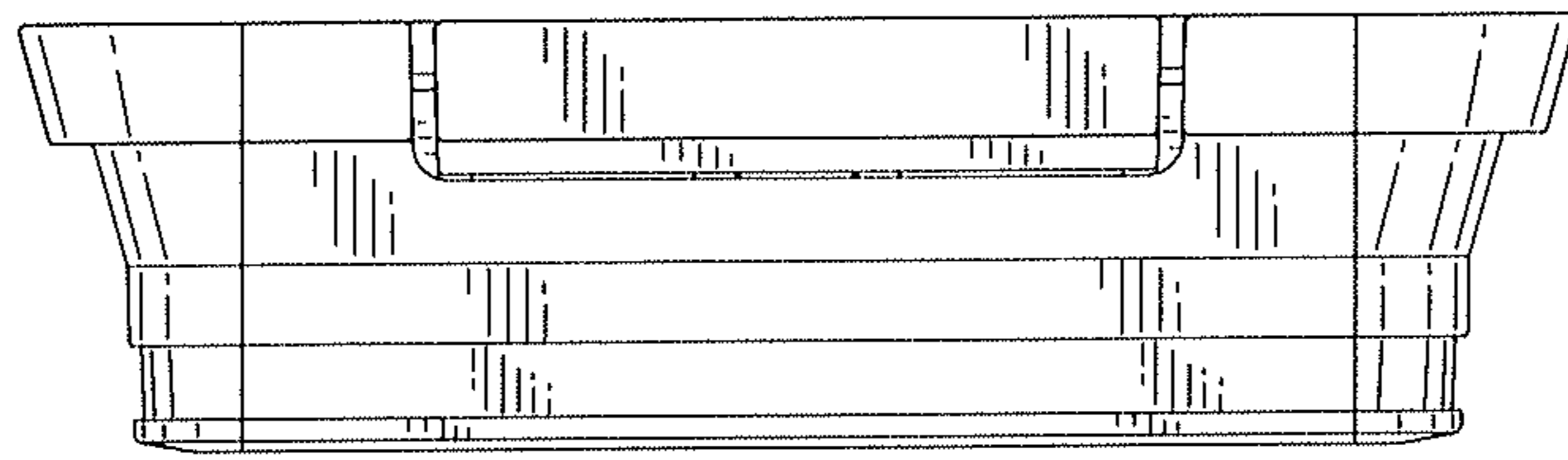


FIG. 2

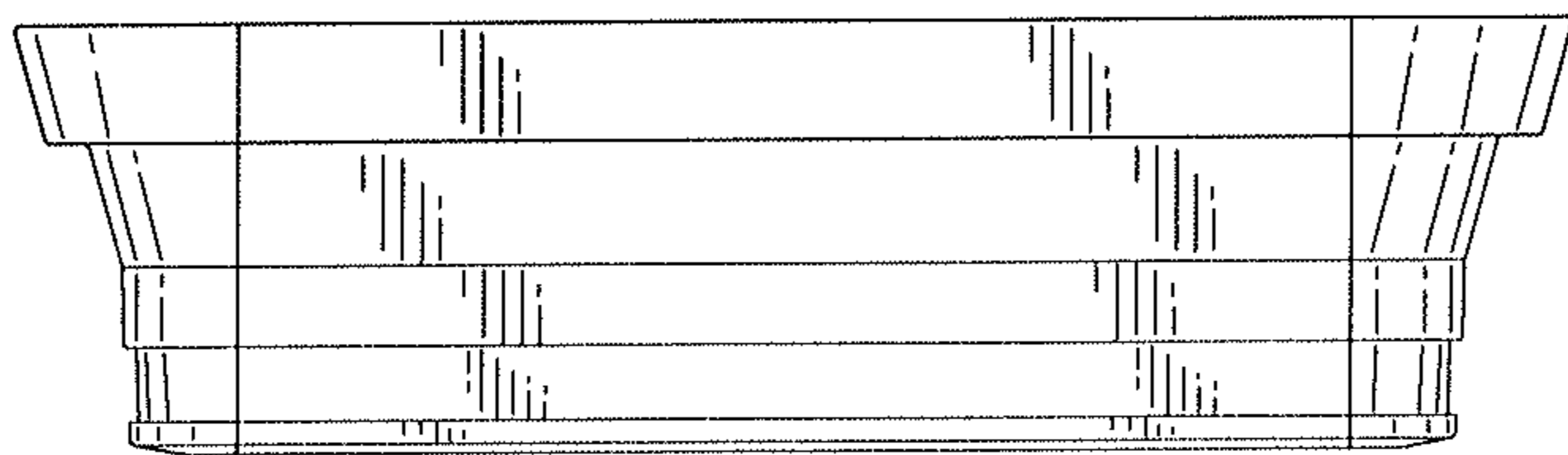


FIG. 3

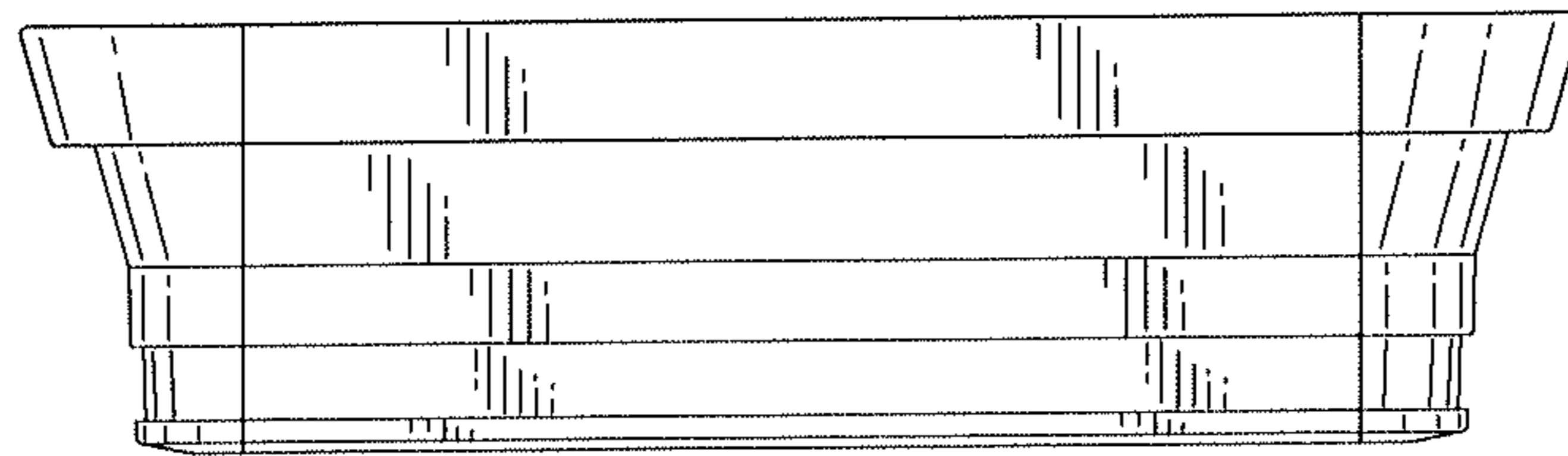


FIG. 4

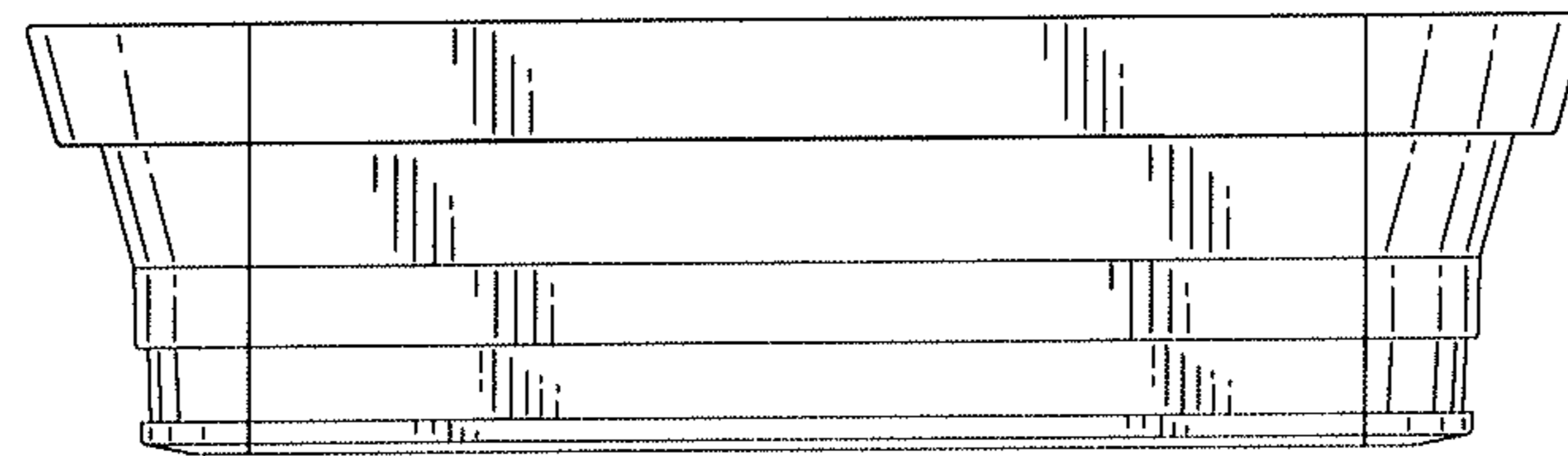


FIG. 5

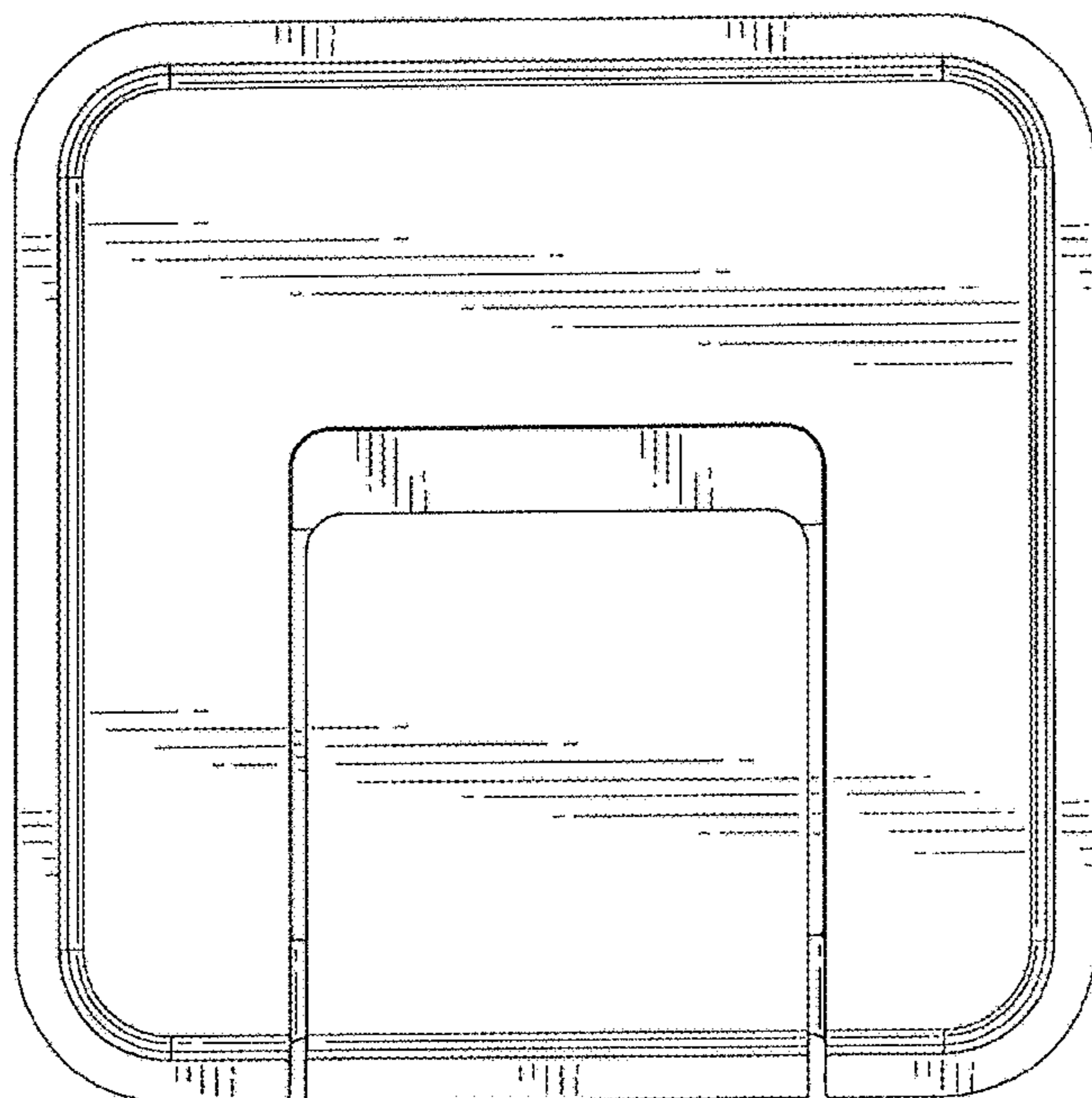


FIG. 6

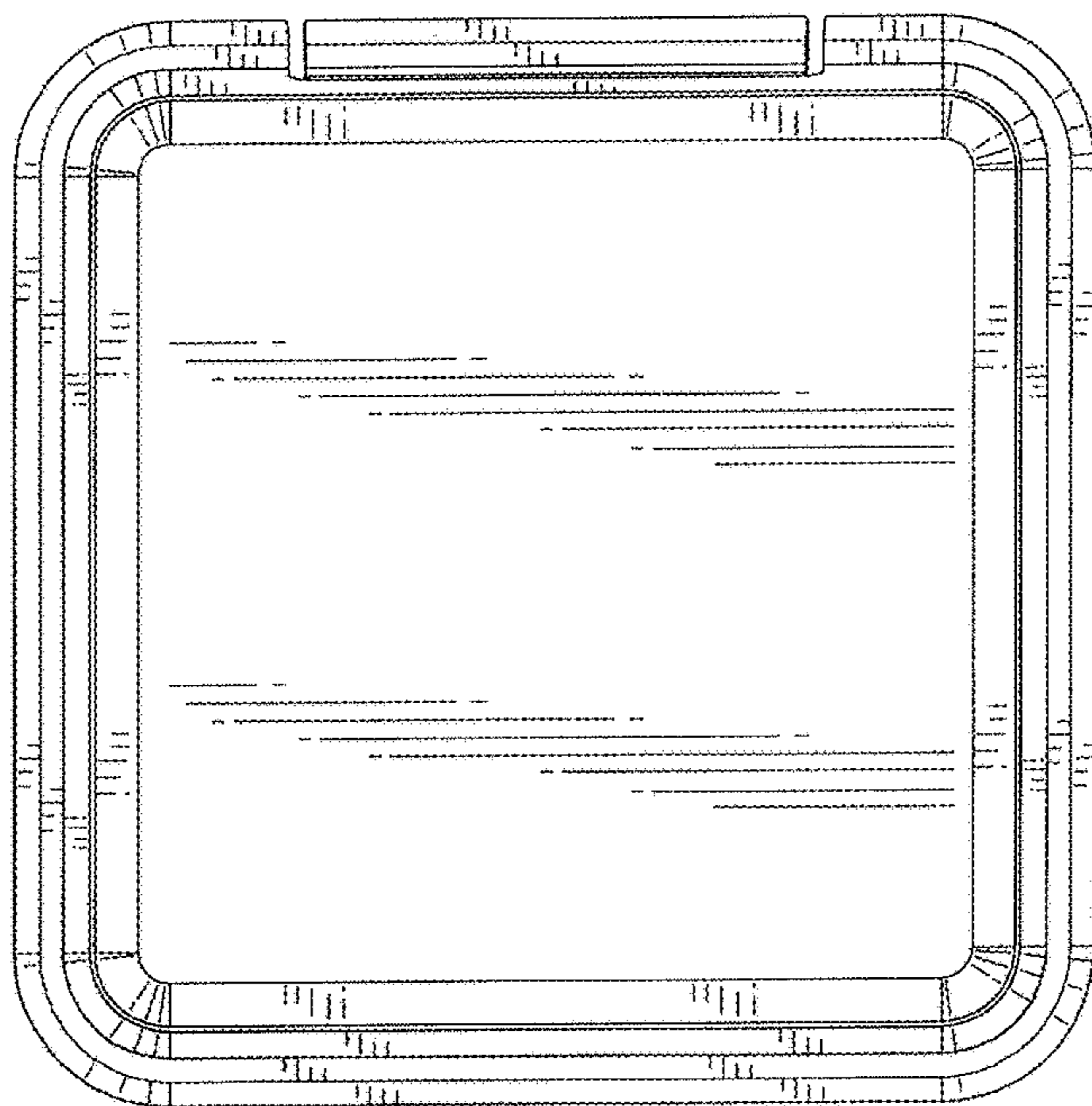


FIG. 7