



US00D773930S

(12) **United States Design Patent** (10) **Patent No.:** **US D773,930 S**
Azelton et al. (45) **Date of Patent:** **** Dec. 13, 2016**

(54) **LID WITH AN ORIFICE**
(71) Applicant: **THE CLOROX COMPANY**, Oakland, CA (US)

4,289,262 A 9/1981 Finkelstein
4,387,819 A 6/1983 Corsette
4,462,507 A 7/1984 Margulies
4,496,066 A 1/1985 Bullock, III
(Continued)

(72) Inventors: **Kerry D. Azelton**, Pleasanton, CA (US); **Jon Markey**, Greensboro, NC (US)

FOREIGN PATENT DOCUMENTS

(73) Assignee: **The Clorox Company**, Oakland, CA (US)

CN 203889189 10/2014
EP 0179498 B1 7/1989
(Continued)

(**) Term: **15 Years**

OTHER PUBLICATIONS

(21) Appl. No.: **29/546,527**

PCT Search Report dated Jul. 16, 2015, International Application No. PCT/US15/25757.

(22) Filed: **Nov. 23, 2015**

Primary Examiner — Karen S Acker
Assistant Examiner — Wendy Arminio
(74) *Attorney, Agent, or Firm* — Erin Collins

Related U.S. Application Data

(63) Continuation-in-part of application No. 14/684,842, filed on Apr. 13, 2015.

(51) **LOC (10) Cl.** **09-07**
(52) **U.S. Cl.**
USPC **D9/447**

(57) **CLAIM**

The ornamental design for a lid with an orifice, as shown and described.

(58) **Field of Classification Search**
USPC D9/429, 434, 435, 443–450, 452, 454, D9/499, 553, 554, 559, 561; D7/387, 392, 393, D7/396.2, 396.4, 509, 510, 511, 514, 523, 531; D3/202, 203.2, 223, 264, 294, 304, 318
CPC A61J 1/00; A61J 1/1412; B65D 1/00; B65D 1/02; B65D 1/10; B65D 1/46; B65D 2585/56; B65D 2585/545; B65D 41/00; B65D 41/56; B65D 41/62; B65D 47/06; B65D 47/08; B65D 2543/00046
See application file for complete search history.

DESCRIPTION

FIG. 1 is a top perspective view of a lid with an orifice, in an environment of use shown removed from a container base drawn in broken lines.
FIG. 2 is a top perspective view of the lid with an orifice shown in FIG. 1.
FIG. 3 is a bottom perspective view of the lid with an orifice shown in FIG. 2.
FIG. 4 is a top plan view of the lid with an orifice shown in FIG. 2; and,
FIG. 5 is a bottom plan view of the lid with an orifice shown in FIG. 2.
The container base and wipes shown in broken lines in FIG. 1 illustrate the environment and form no part of the claimed design. The broken lines on the lid with an orifice in all the figures depict portions of the article that form no part of the claimed design.

(56) **References Cited**
U.S. PATENT DOCUMENTS

3,749,296 A 7/1973 Harrison
3,868,052 A 2/1975 Rockefeller
4,262,816 A 4/1981 Margulies

1 Claim, 5 Drawing Sheets



(56)

References Cited

U.S. PATENT DOCUMENTS

4,526,291 A 7/1985 Margulies
 4,682,700 A 7/1987 Montgomery et al.
 4,815,620 A 3/1989 Bullock, III
 D354,224 S 1/1995 Norton et al.
 D354,225 S 1/1995 Norton et al.
 5,516,001 A 5/1996 Muckenfuhs et al.
 5,730,309 A 3/1998 Jiradejnunt et al.
 6,082,567 A 7/2000 Bietzer et al.
 6,158,614 A 12/2000 Haines et al.
 6,182,858 B1* 2/2001 Hartog A47K 10/3818
 221/63
 D443,450 S 6/2001 Ruhotas et al.
 D449,528 S 10/2001 Buck et al.
 6,409,044 B1 6/2002 Brown et al.
 D466,807 S 12/2002 Buck et al.
 6,536,616 B2 3/2003 Sandor et al.
 6,554,156 B1 4/2003 Chong
 6,581,792 B1 6/2003 Limanjaya
 7,090,088 B2 8/2006 von Holdt, Jr.
 D531,499 S 11/2006 Zaidman
 D531,897 S 11/2006 Evans et al.
 7,143,906 B2 12/2006 Chasid
 D541,173 S 4/2007 Karussi et al.
 7,213,720 B2 5/2007 Giraud
 7,216,760 B2* 5/2007 Forrest, Jr. B08B 1/00
 206/210
 7,216,775 B2 5/2007 Evans et al.
 D544,346 S 6/2007 Karussi et al.
 7,546,930 B2 6/2009 Banik et al.
 7,556,175 B2 7/2009 Simkins
 7,703,621 B2 4/2010 Evans et al.
 7,731,057 B2 6/2010 Evans et al.
 7,806,292 B2 10/2010 Simkins
 7,922,036 B2 4/2011 Bendor et al.
 7,988,008 B2 8/2011 Banik et al.
 8,104,657 B2 1/2012 Barella
 8,297,461 B2 10/2012 Evans
 D671,426 S* 11/2012 Pickens D9/734
 8,308,008 B2 11/2012 Perry et al.
 D672,647 S* 12/2012 Hora D9/434
 D703,534 S* 4/2014 Yamada D9/447
 D703,535 S* 4/2014 Yamada D9/447
 8,944,279 B2 2/2015 Shoaf et al.
 2003/0080018 A1 5/2003 Nally
 2004/0011813 A1 1/2004 Kasting et al.
 2004/0099681 A1 5/2004 Julius

2005/0067313 A1* 3/2005 Banik B65D 83/0805
 206/494
 2005/0205594 A1* 9/2005 Evans A47K 10/3818
 221/63
 2006/0186132 A1* 8/2006 Panning A47K 10/16
 221/2
 2006/0191933 A1 8/2006 Hicks
 2007/0215632 A1 9/2007 Bendor et al.
 2008/0035663 A1 2/2008 Byl et al.
 2008/0110920 A1 5/2008 Hlista et al.
 2009/0114669 A1 5/2009 Decker et al.
 2009/0152290 A1* 6/2009 Wang B65D 83/08
 221/63
 2009/0194554 A1 8/2009 Bliss et al.
 2009/0194555 A1* 8/2009 Hoefing A47K 10/3827
 221/63
 2009/0200328 A1* 8/2009 Hoefing B65H 75/16
 221/33
 2009/0289077 A1 11/2009 Melin et al.
 2010/0078443 A1 4/2010 Hoefing et al.
 2010/0108706 A1 5/2010 Oman
 2010/0133287 A1 6/2010 Tramontina et al.
 2010/0206896 A1 8/2010 Ray et al.
 2010/0270326 A1 10/2010 Wong et al.
 2011/0139807 A1 6/2011 Ray et al.
 2012/0017766 A1 1/2012 Anson et al.
 2012/0118905 A1 5/2012 Lindbergh
 2012/0145737 A1 6/2012 Ray et al.
 2013/0008919 A1 1/2013 Honan et al.
 2013/0153597 A1 6/2013 Hill et al.
 2014/0021219 A1 1/2014 Honan
 2014/0158687 A1 6/2014 Honan et al.
 2014/0190983 A1 7/2014 Sanguinet et al.
 2014/0291343 A1 10/2014 Neitzel
 2015/0069081 A1 3/2015 Fujimoto
 2015/0164290 A1 6/2015 Leung et al.
 2015/0305579 A1* 10/2015 Azelton A47K 10/42
 221/63

FOREIGN PATENT DOCUMENTS

EP 1851127 B1 7/2007
 GB 2335624 9/1999
 WO WO9819946 A1 5/1998
 WO WO2006093579 A1 9/2006
 WO WO2007105182 A1 9/2007
 WO WO2008110770 A1 9/2008
 WO WO2013076467 A2 5/2013
 WO WO2013189511 A1 12/2013

* cited by examiner

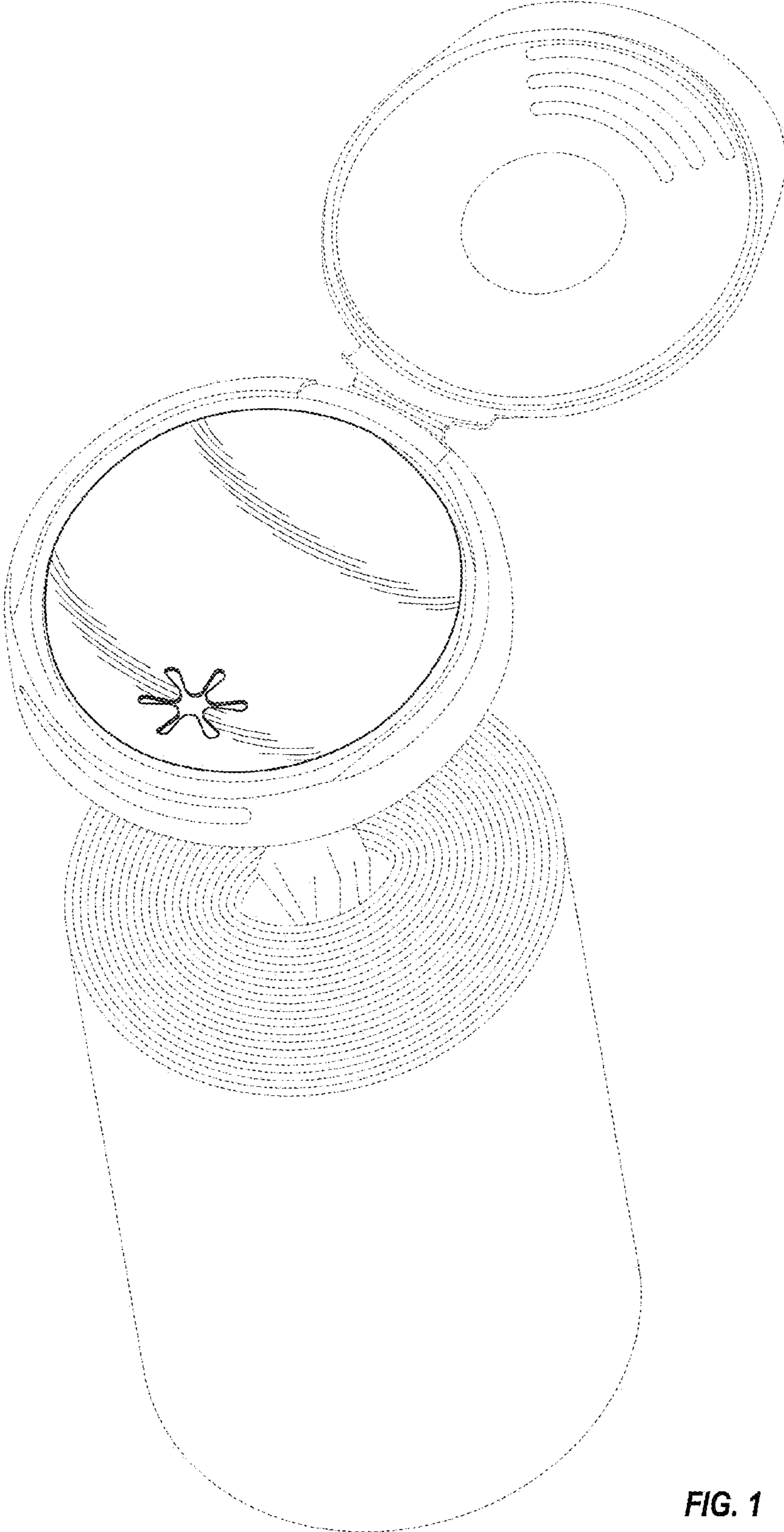


FIG. 1

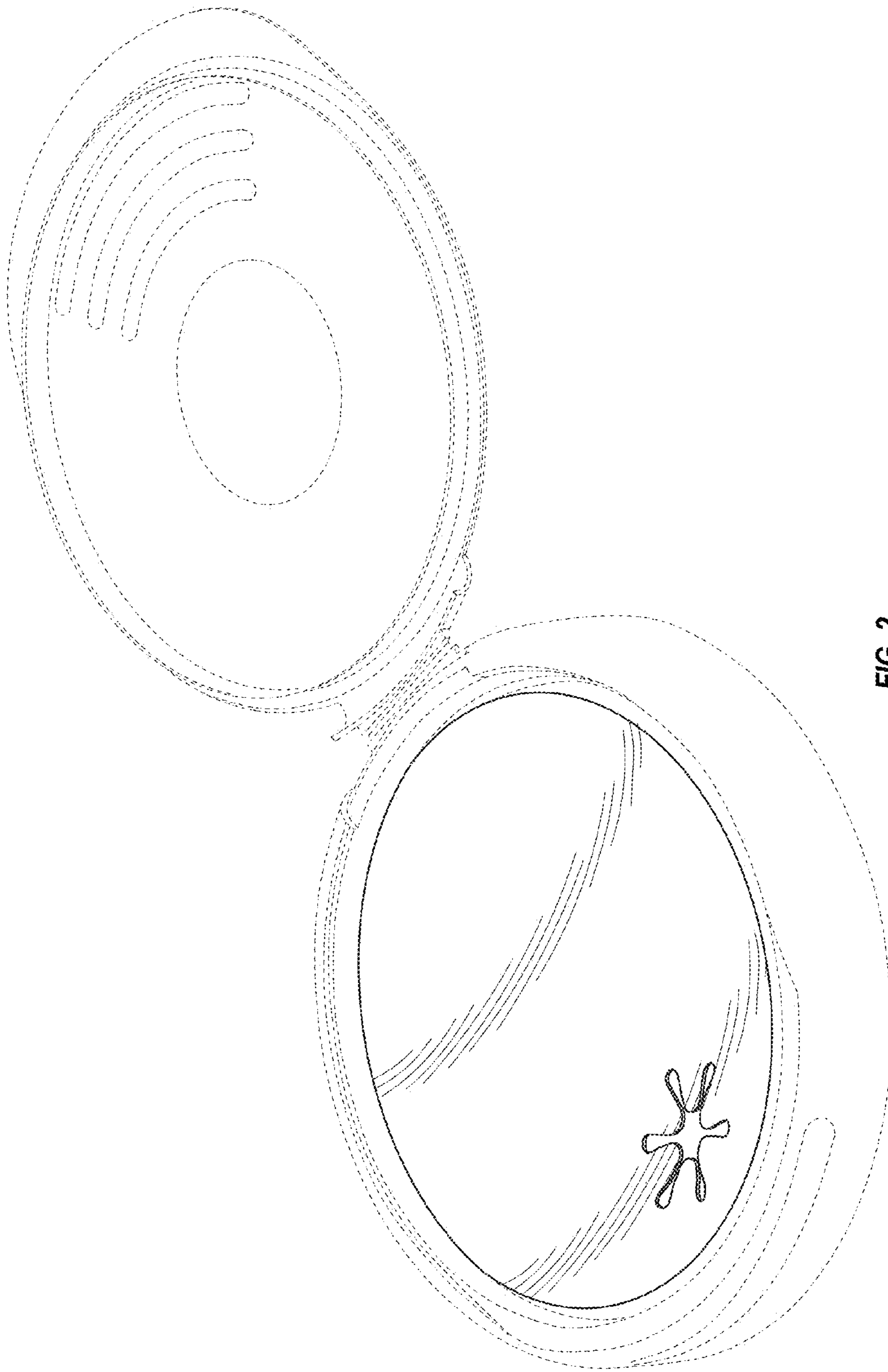


FIG. 2

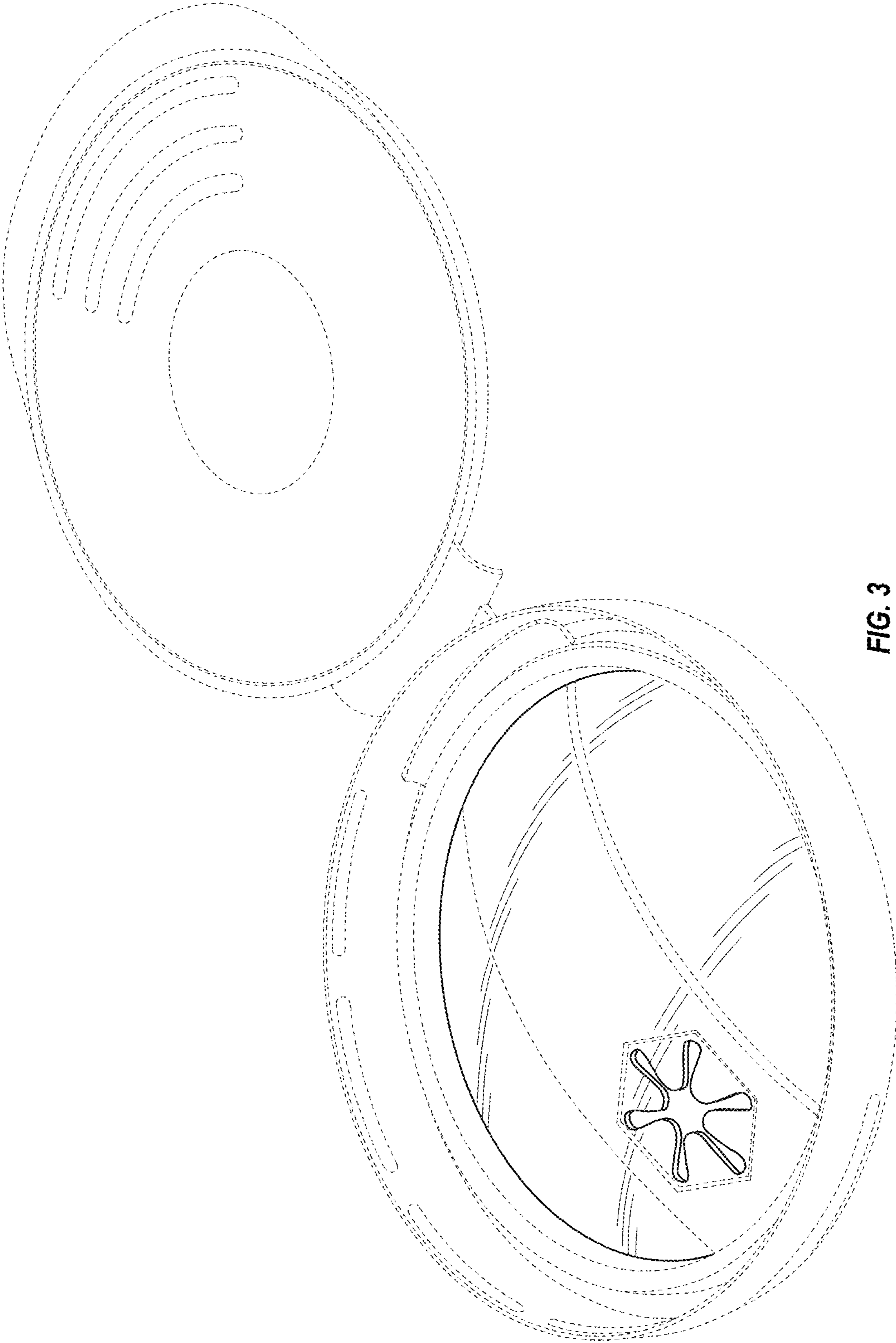


FIG. 3

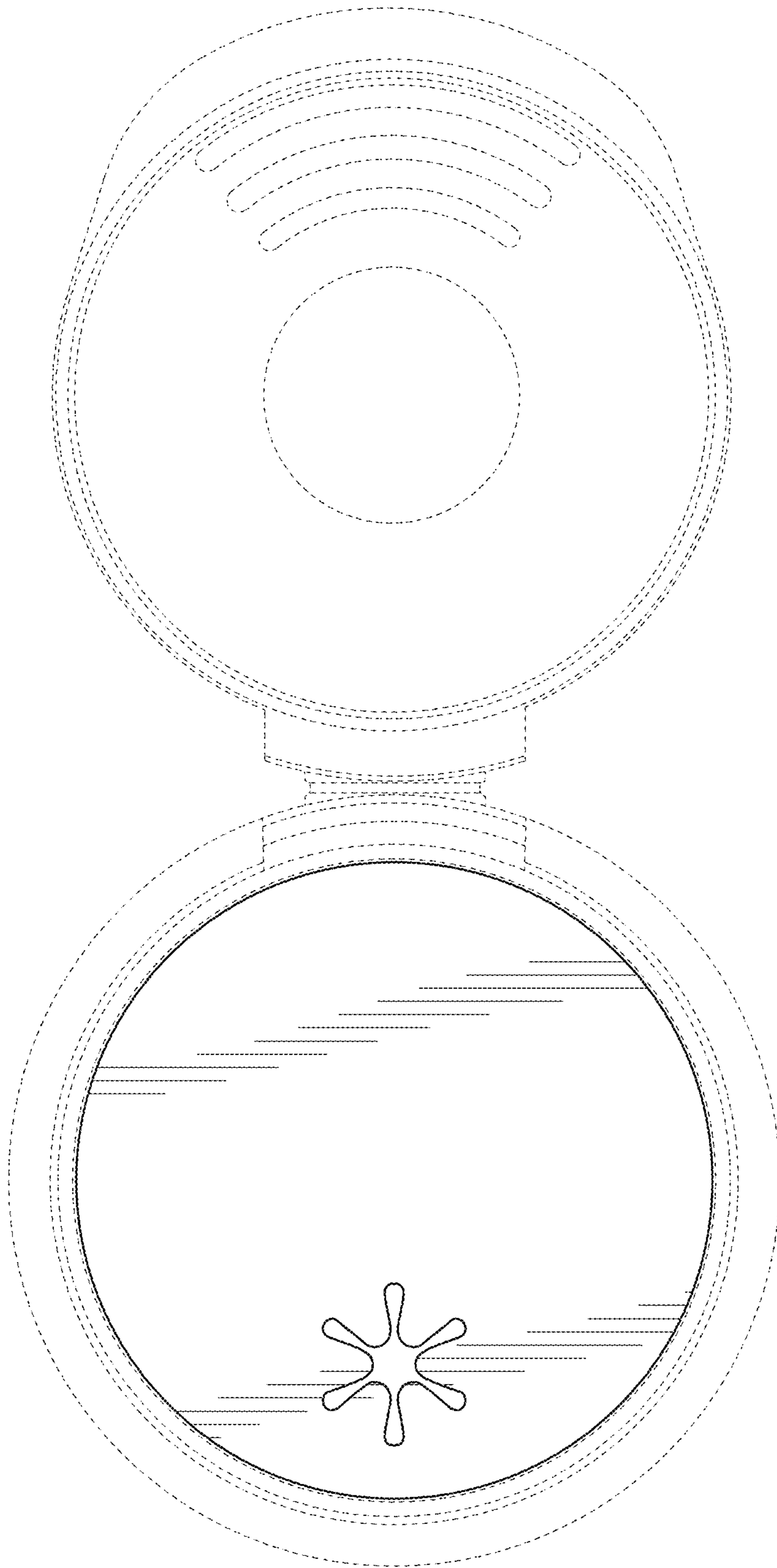


FIG. 4

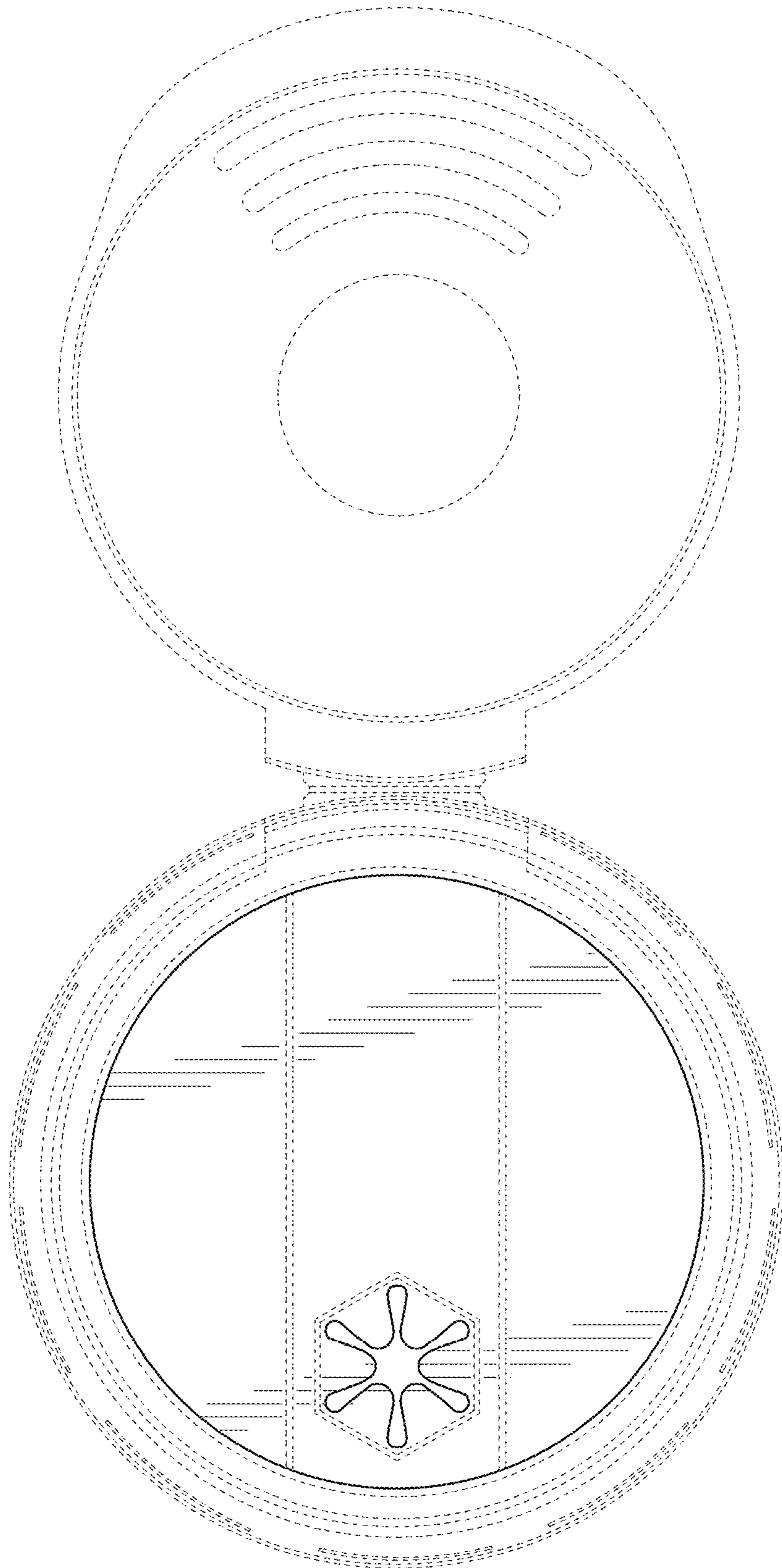


FIG. 5