



US00D773925S

(12) **United States Design Patent** (10) **Patent No.:** **US D773,925 S**
Wadey et al. (45) **Date of Patent:** **** Dec. 13, 2016**

(54) **MOUNTING DEVICE**

(71) Applicants: **Brian Wadey**, Sumner, WA (US);
Marcos Oquendo, Miami, FL (US)

(72) Inventors: **Brian Wadey**, Sumner, WA (US);
Marcos Oquendo, Miami, FL (US)

(**) Term: **15 Years**

(21) Appl. No.: **29/528,734**

(22) Filed: **Jun. 1, 2015**

(51) **LOC (10) Cl.** **08-08**

(52) **U.S. Cl.**
USPC **D8/387**; D14/217

(58) **Field of Classification Search**
USPC D14/382, 14, 71, 106, 310, 349,
396, D14/397, 374, 375; D8/203.8, 432,
433, 483, D8/217, 299; D16/219, 330
CPC B60R 1/04; B60R 1/06; B60R 11/00;
B60R 2011/0003; B60R 2011/0089; G03B
17/561; G03B 17/566
See application file for complete search history.

(56) **References Cited**

U.S. PATENT DOCUMENTS

D51,333 S * 10/1917 Heizmann D8/310
D176,713 S * 1/1956 Ellis D8/310

D247,019 S * 1/1978 Patten D8/382
D435,425 S * 12/2000 Roesler D8/310
D736,589 S * 8/2015 Watson D8/310
2009/0026331 A1 * 1/2009 Law F16M 11/38
248/163.1
2009/0039213 A1 * 2/2009 Darrow B60R 11/02
248/163.1

* cited by examiner

Primary Examiner — Sandra Snapp

Assistant Examiner — Ieisha Price

(74) *Attorney, Agent, or Firm* — Mark T. Vogelbacker;
Reed Smith LLP

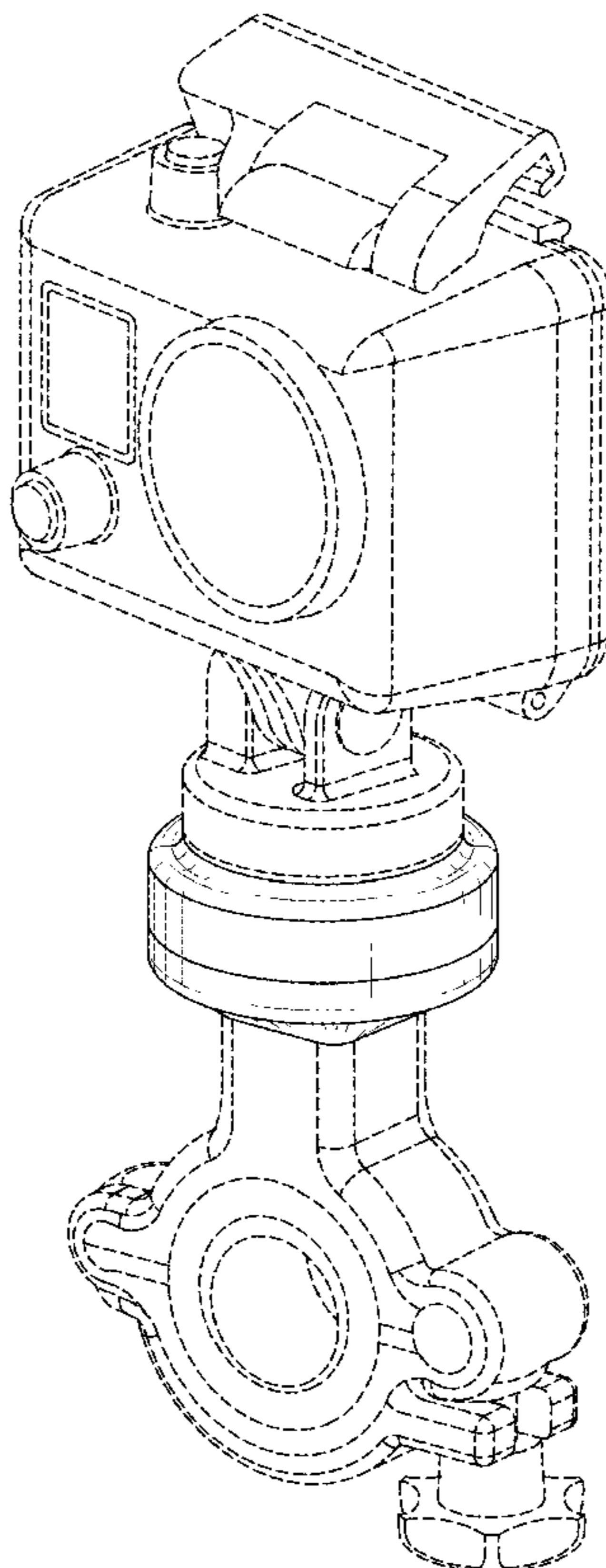
(57) **CLAIM**

The ornamental design for a mounting device, as shown and described.

DESCRIPTION

FIG. 1 is an environmental perspective view of a mounting device in accordance with our new design; FIG. 2 is another perspective view thereof; FIG. 3 is a bottom perspective view thereof; FIG. 4 is an elevation view thereof; FIG. 5 is a top plan view thereof; and, FIG. 6 is a bottom plan view thereof. The broken lines in the figures illustrate environmental structure only and form no part of the claimed design.

1 Claim, 2 Drawing Sheets



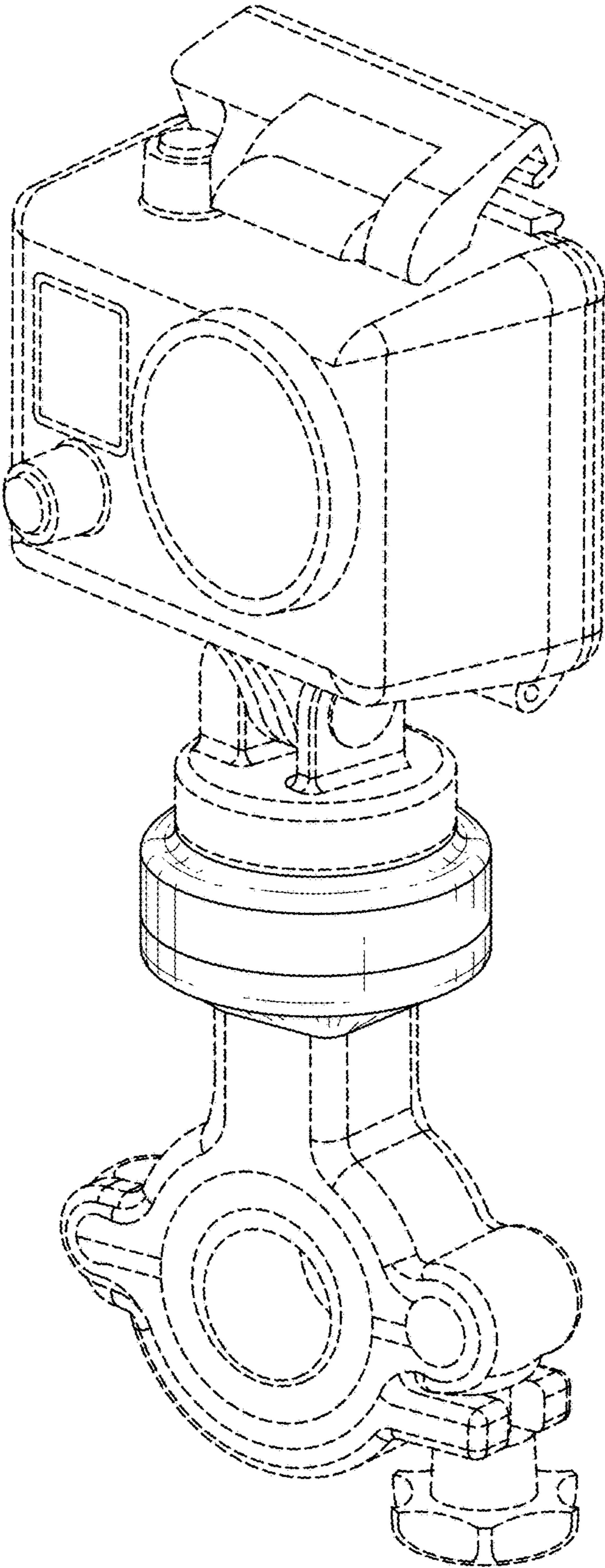


Fig. 1

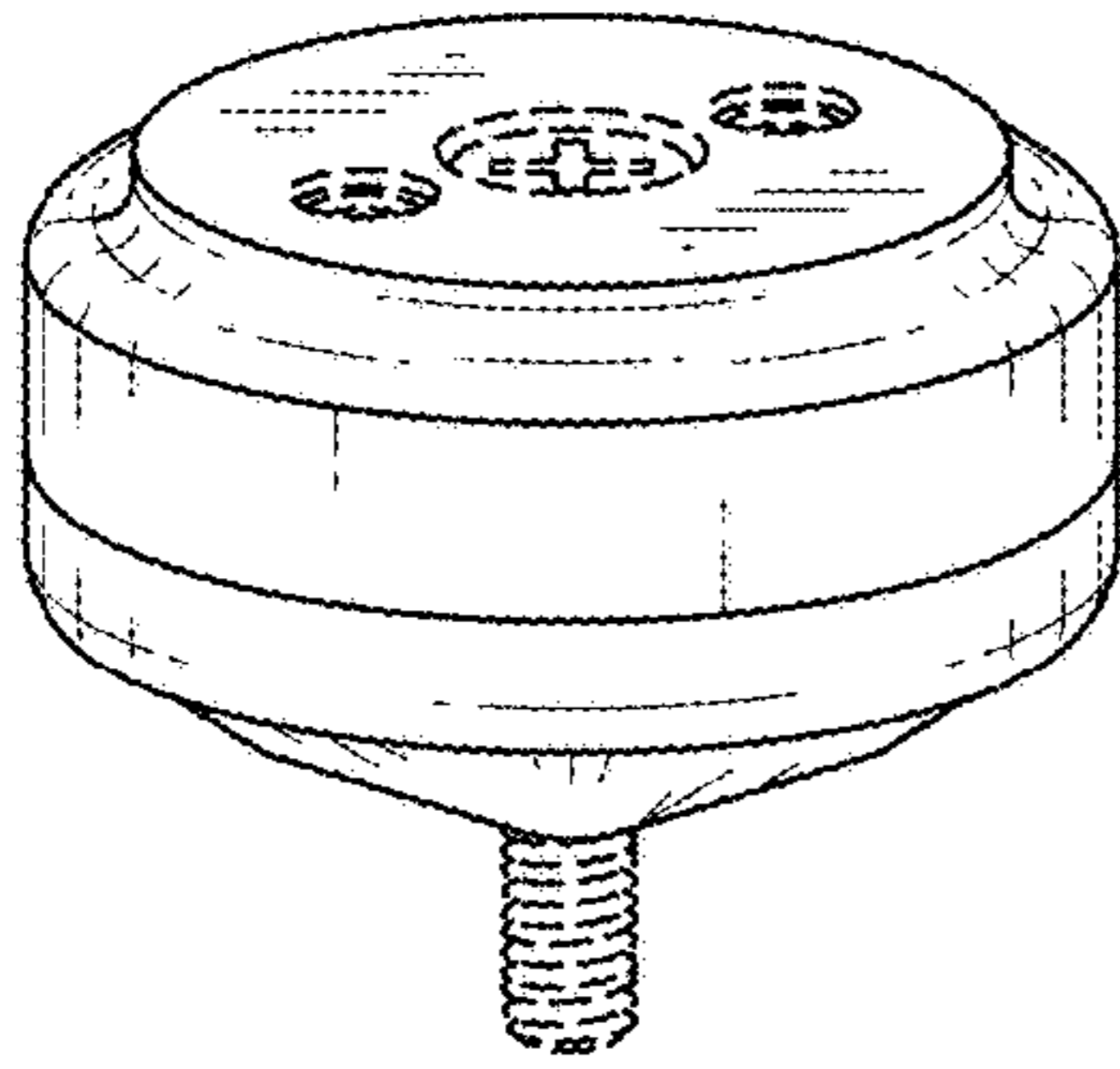


Fig. 2

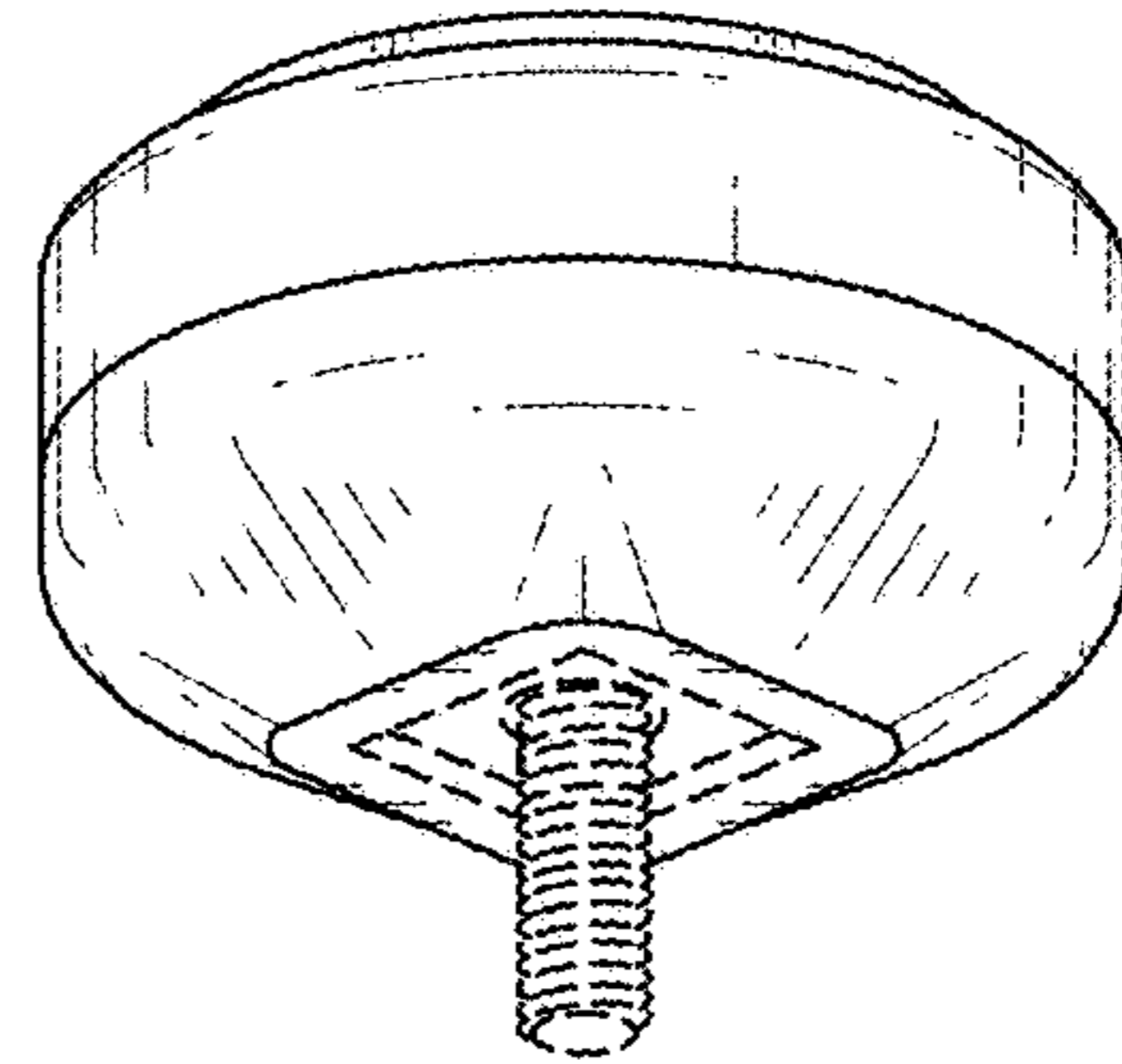


Fig. 3

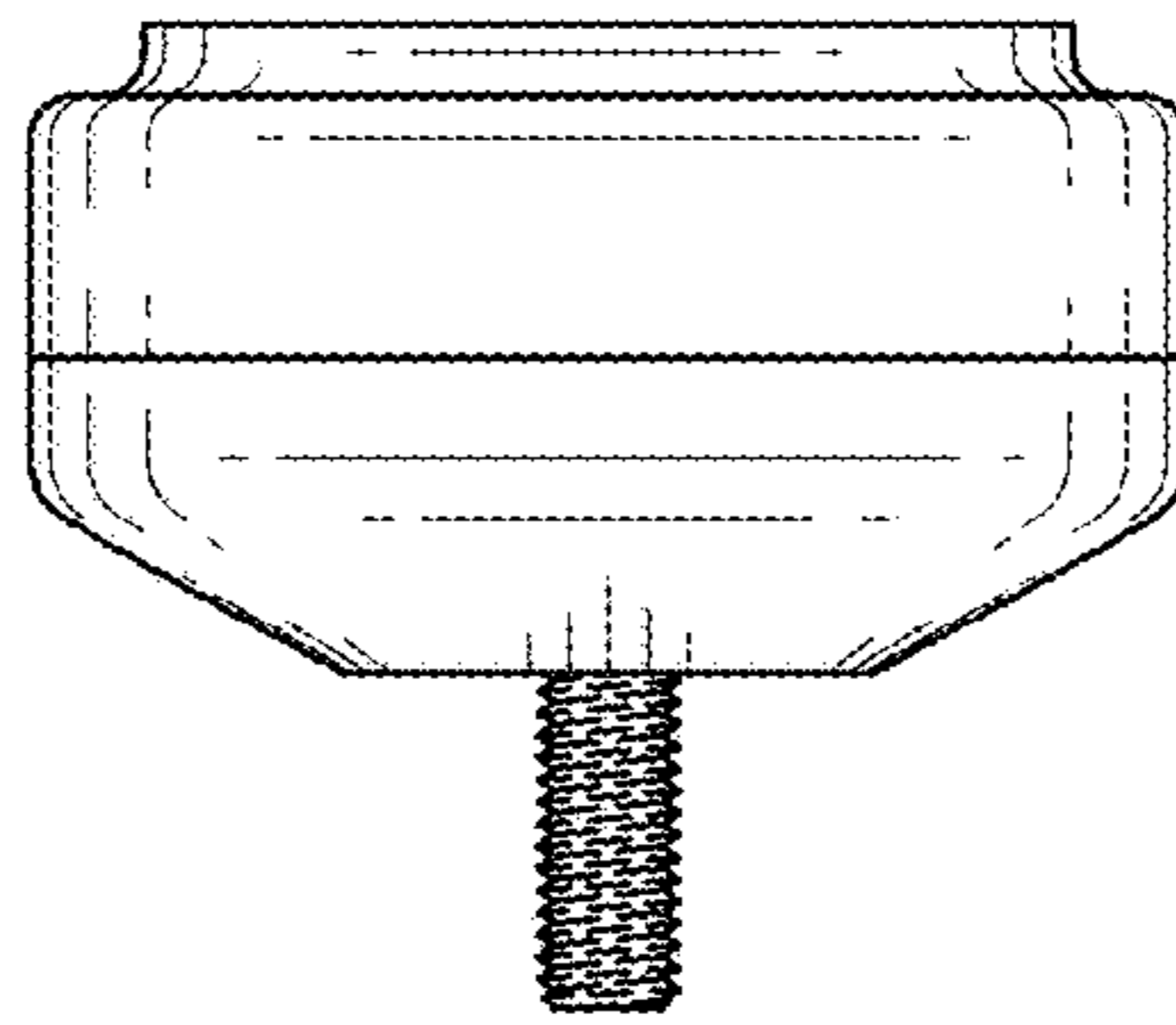


Fig. 4

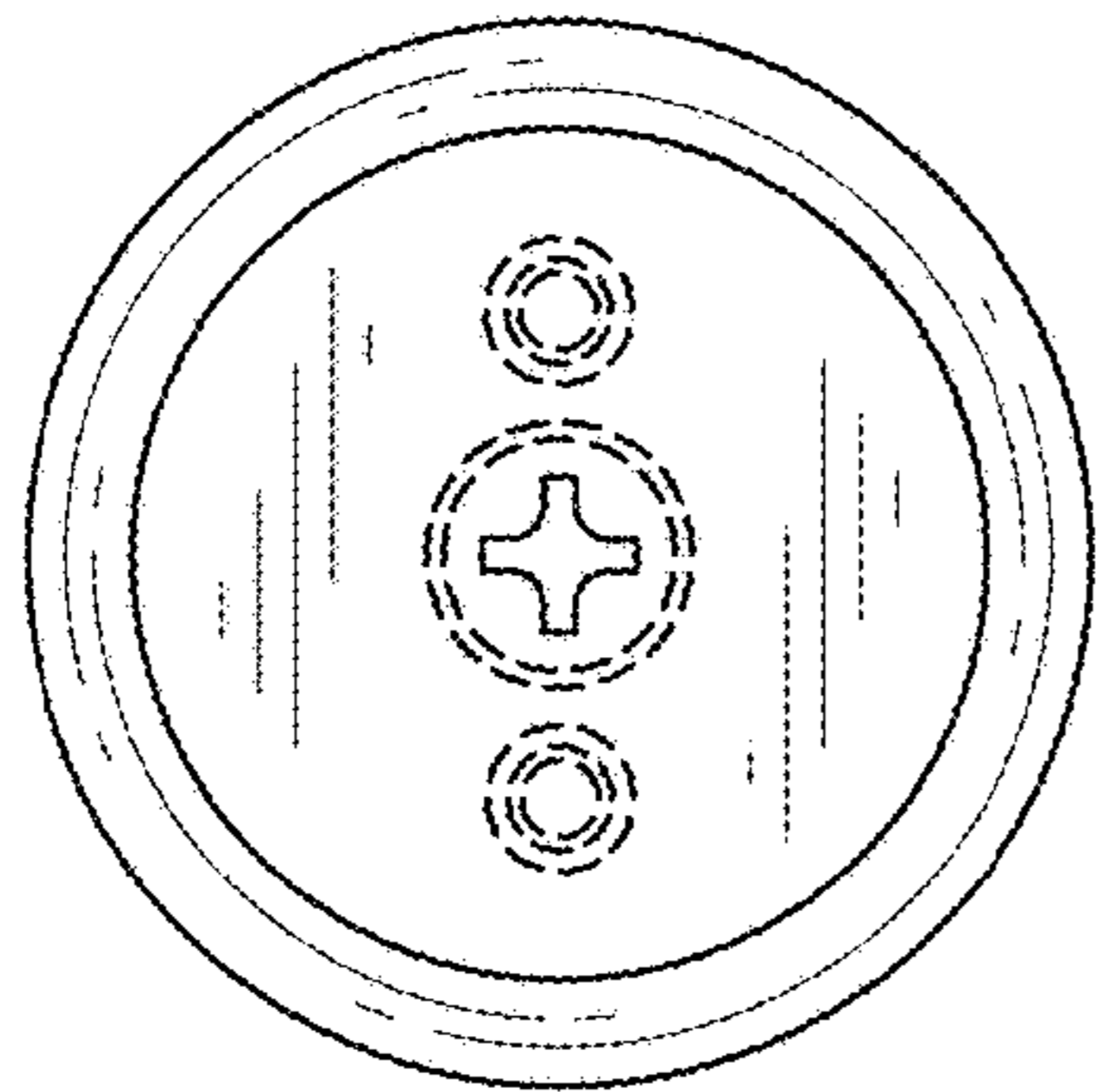


Fig. 5

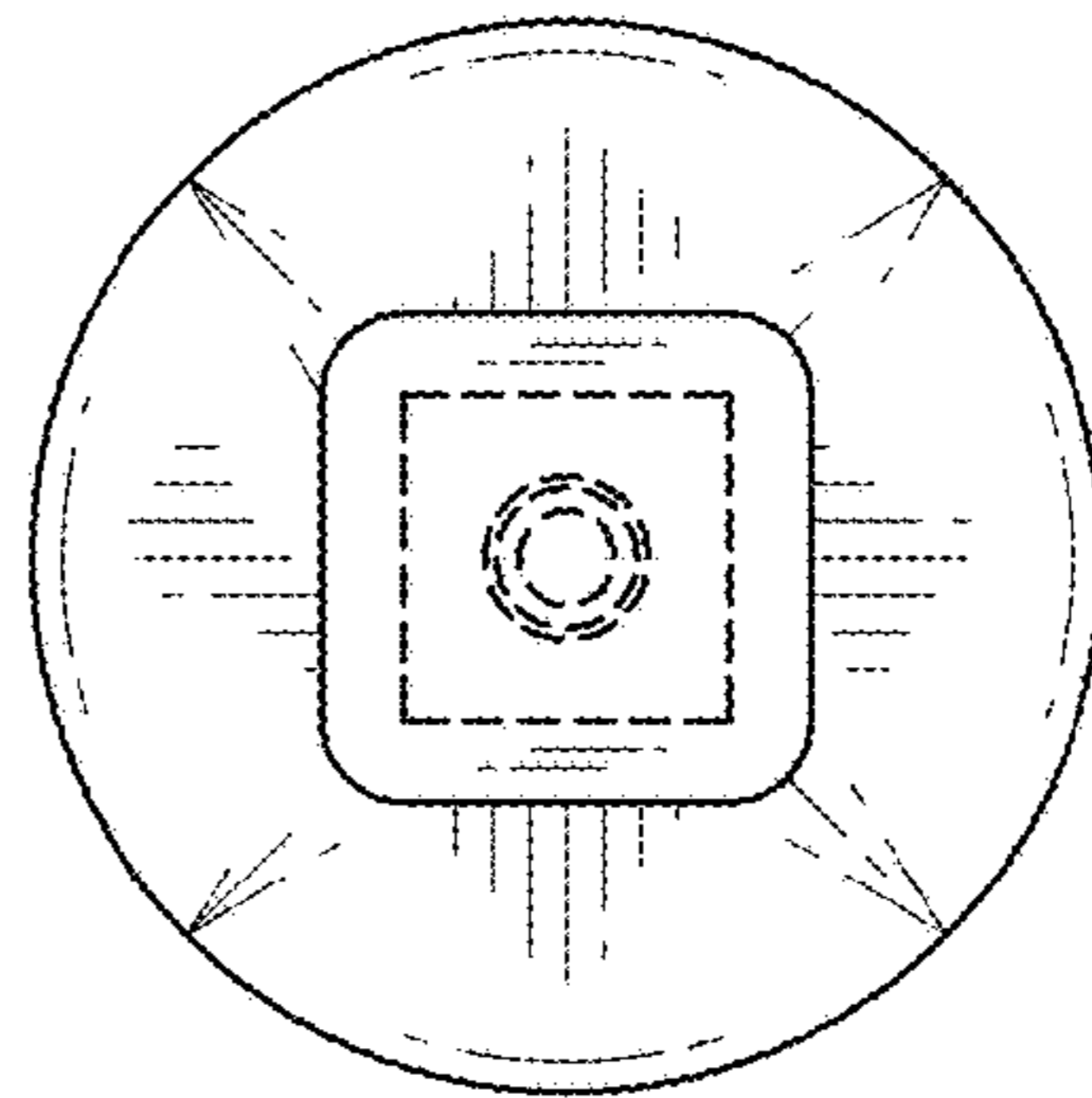


Fig. 6