



US00D773924S

(12) **United States Design Patent** (10) **Patent No.:** **US D773,924 S**  
**Ishii** (45) **Date of Patent:** **\*\* Dec. 13, 2016**

(54) **CORD LOCK**  
(71) Applicant: **NIFCO INC.**, Yokosuka-shi, Kanagawa (JP)  
(72) Inventor: **Taiyo Ishii**, Yokosuka (JP)  
(73) Assignee: **NIFCO INC.**, Yokosuka-Shi, Kanagawa (JP)  
(\*\*) Term: **15 Years**  
(21) Appl. No.: **29/530,660**  
(22) Filed: **Jun. 18, 2015**

D551,067 S \* 9/2007 Kawamura ..... D8/383  
D560,477 S \* 1/2008 Yoshie ..... D8/383  
D560,478 S \* 1/2008 Yoshie ..... D8/383  
D573,456 S \* 7/2008 Deilmann ..... D8/383  
D586,648 S \* 2/2009 Yoshie ..... D8/385  
D587,105 S \* 2/2009 Chang ..... D8/383  
D615,391 S \* 5/2010 Kawaguchi ..... D8/383  
D618,984 S \* 7/2010 Yang ..... D8/356  
D626,322 S \* 11/2010 Servettaz ..... D2/978  
D659,524 S \* 5/2012 Kawaguchi ..... D8/383  
2008/0034555 A1 \* 2/2008 Cheng ..... A43C 1/00  
24/115 G  
2008/0098574 A1 \* 5/2008 Kim ..... F16G 11/10  
24/132 WL  
2009/0094798 A1 \* 4/2009 Yao ..... A43C 1/00  
24/115 G  
2009/0223085 A1 \* 9/2009 Wolfberg ..... A43C 7/00  
36/50.1

(30) **Foreign Application Priority Data**  
Dec. 22, 2014 (JP) ..... 2014-028665  
(51) **LOC (10) Cl.** ..... **08-08**  
(52) **U.S. Cl.**  
USPC ..... **D8/383**  
(58) **Field of Classification Search**  
USPC D8/382, 383, 356, 394, 395, 396; D11/212,  
D11/215; D2/978  
CPC ..... F16G 11/03; F16G 11/101; F16G 11/10;  
F16G 11/04; A43C 1/00; A43C  
1/06; Y10T 24/3984; Y10T  
24/3969; Y10T 24/3713; Y10T 24/3973  
See application file for complete search history.

(Continued)

*Primary Examiner* — Ian Simmons  
*Assistant Examiner* — Ieisha Price  
(74) *Attorney, Agent, or Firm* — Manabu Kanesaka

(57) **CLAIM**

The ornamental design for a cord lock, as shown and described.

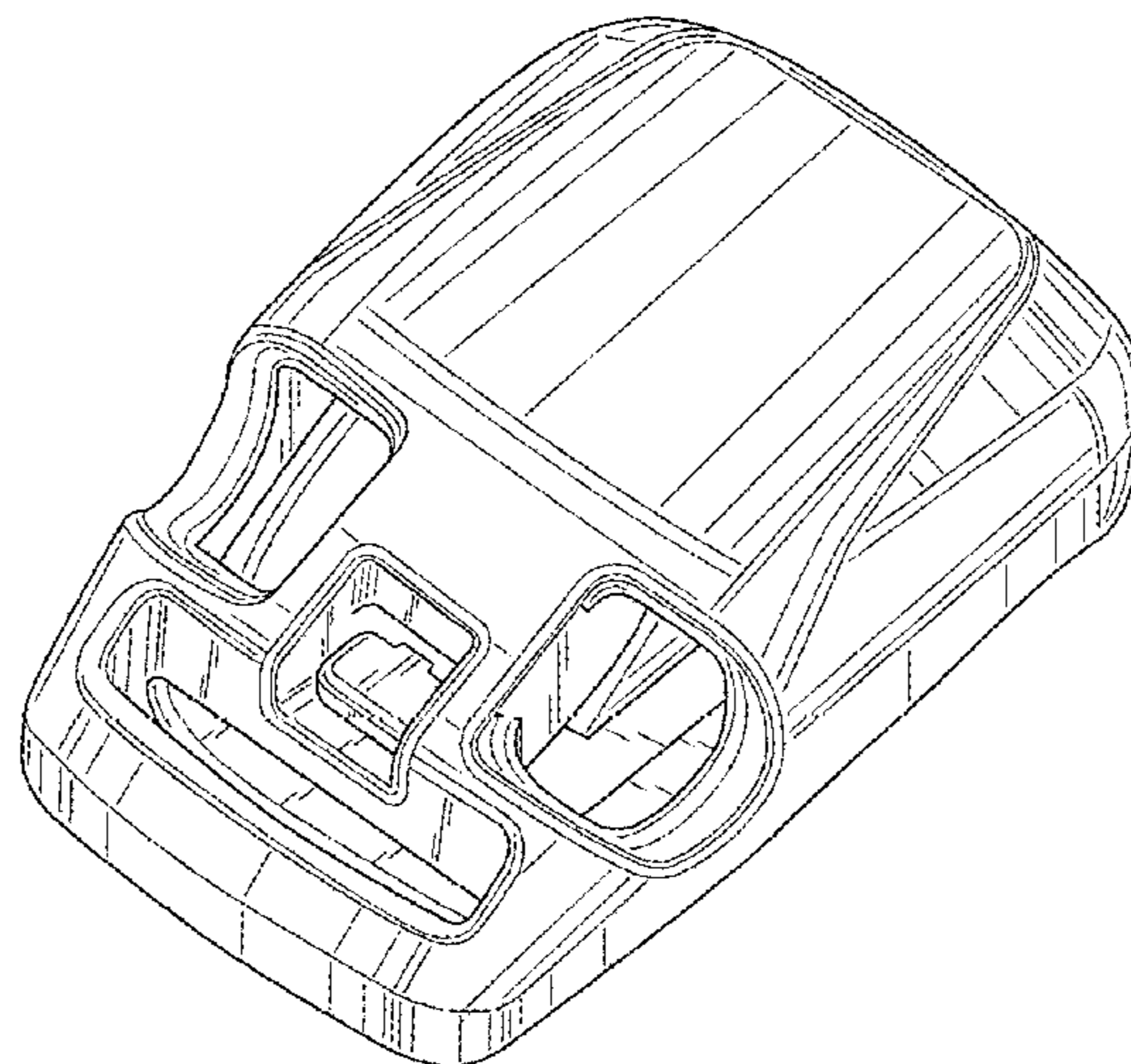
**DESCRIPTION**

FIG. 1 is a first perspective view of a cord lock showing my new design;  
FIG. 2 is a second perspective view thereof;  
FIG. 3 is a front view thereof;  
FIG. 4 is a rear view thereof;  
FIG. 5 is a left side view thereof, with the right side view being a mirror image thereof;  
FIG. 6 is a top plan view thereof;  
FIG. 7 is a bottom view thereof; and,  
FIG. 8 is a cross-sectional view taken along the line 8-8 in FIG. 6.

(56) **References Cited**  
U.S. PATENT DOCUMENTS

D452,138 S \* 12/2001 Murata ..... D8/383  
6,334,240 B1 \* 1/2002 Li ..... A43C 7/00  
24/115 G  
D477,772 S \* 7/2003 Nezu ..... D11/215  
D477,776 S \* 7/2003 Pontaoe ..... D8/396  
D518,405 S \* 4/2006 Stern ..... D11/86  
D550,067 S \* 9/2007 Hsiao ..... D8/356

**1 Claim, 8 Drawing Sheets**



(56)

**References Cited**

U.S. PATENT DOCUMENTS

2012/0042498 A1\* 2/2012 Chu ..... F16G 11/04  
29/453  
2013/0104346 A1\* 5/2013 Kawaguchi ..... F16G 11/101  
24/115 G  
2015/0181986 A1\* 7/2015 Chen ..... A43C 1/06  
24/595.1  
2016/0037846 A1\* 2/2016 Lombardi, Jr. .... A41F 19/00  
24/115 G

\* cited by examiner

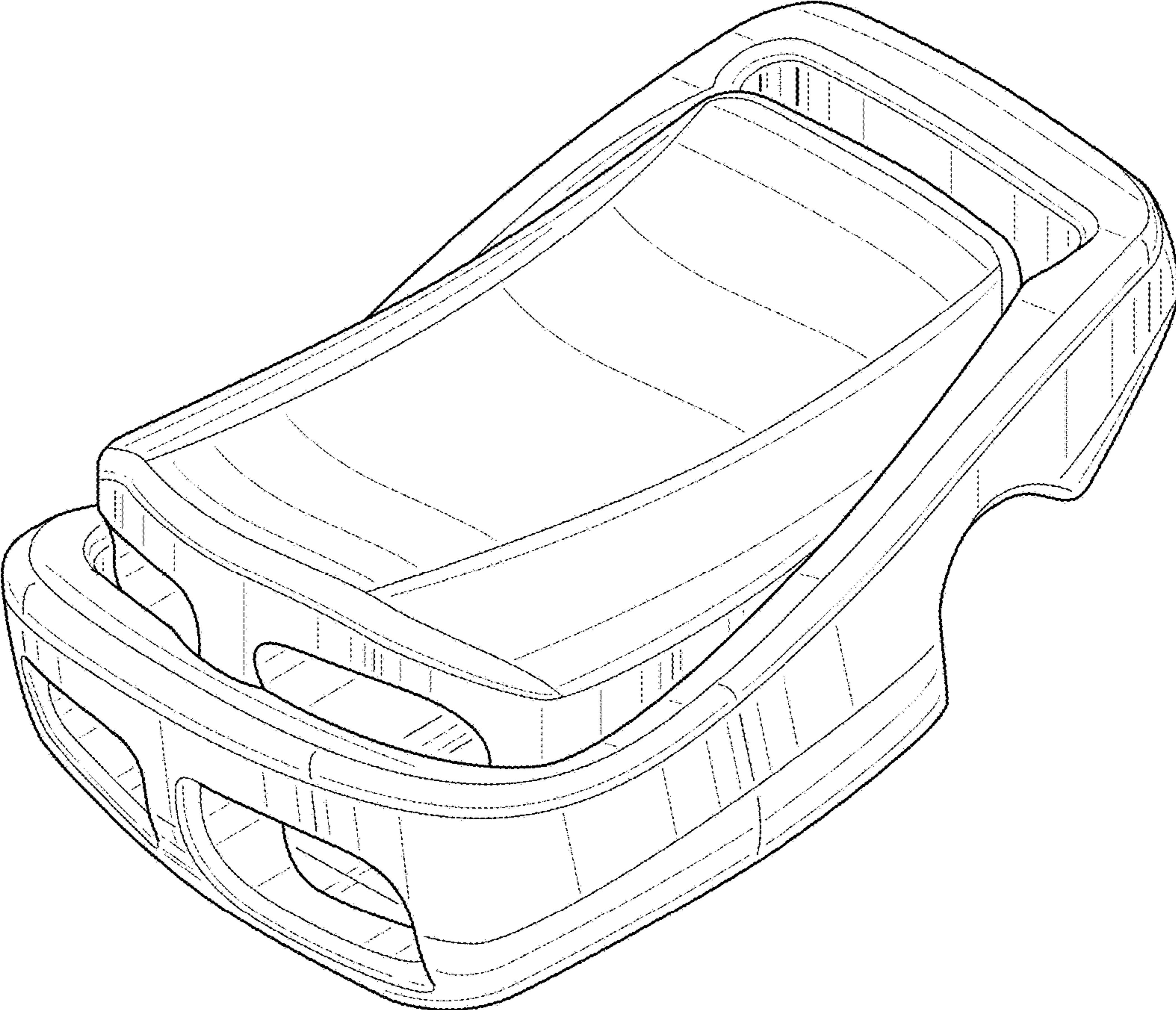


FIG. 1

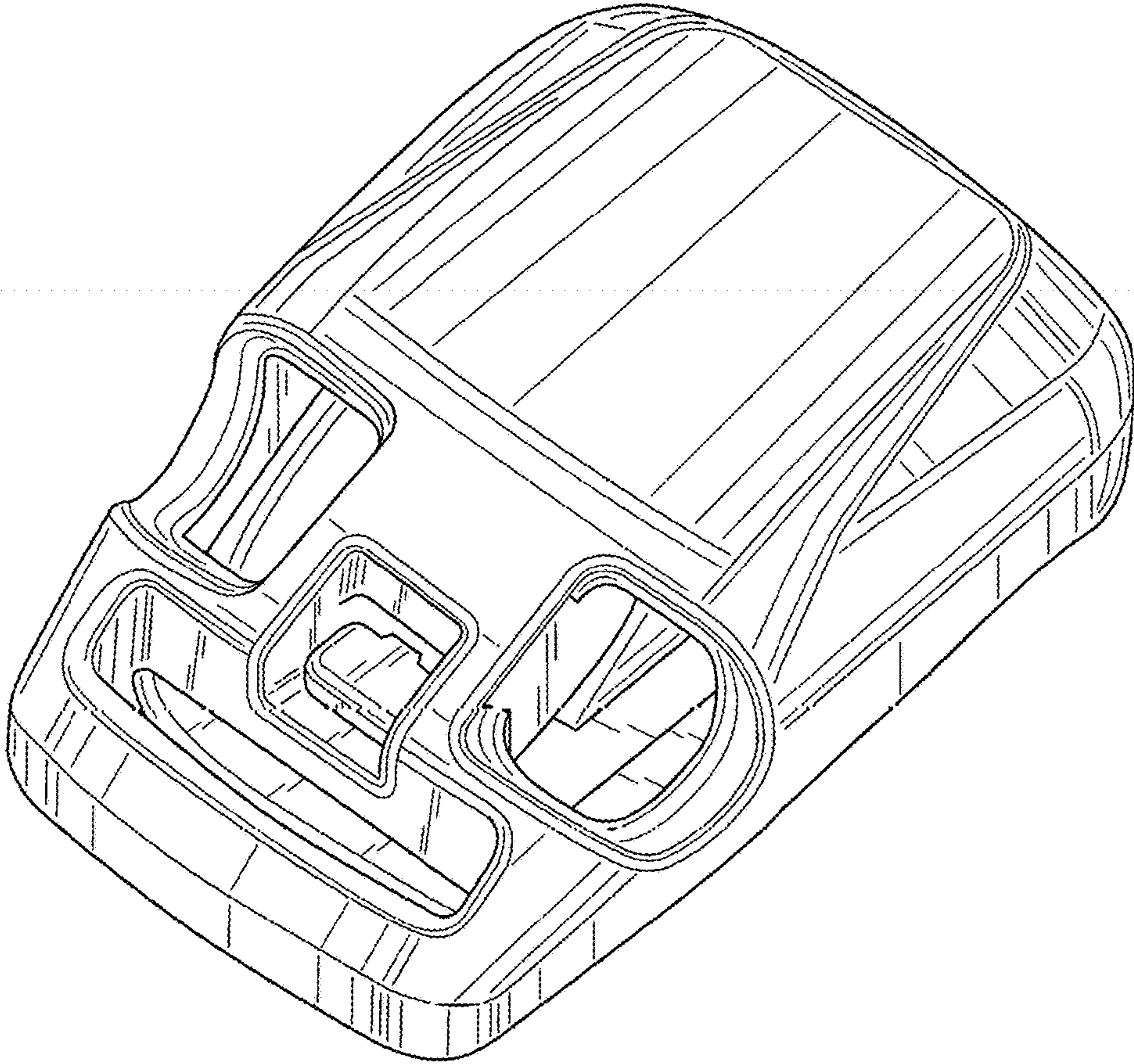


FIG. 2

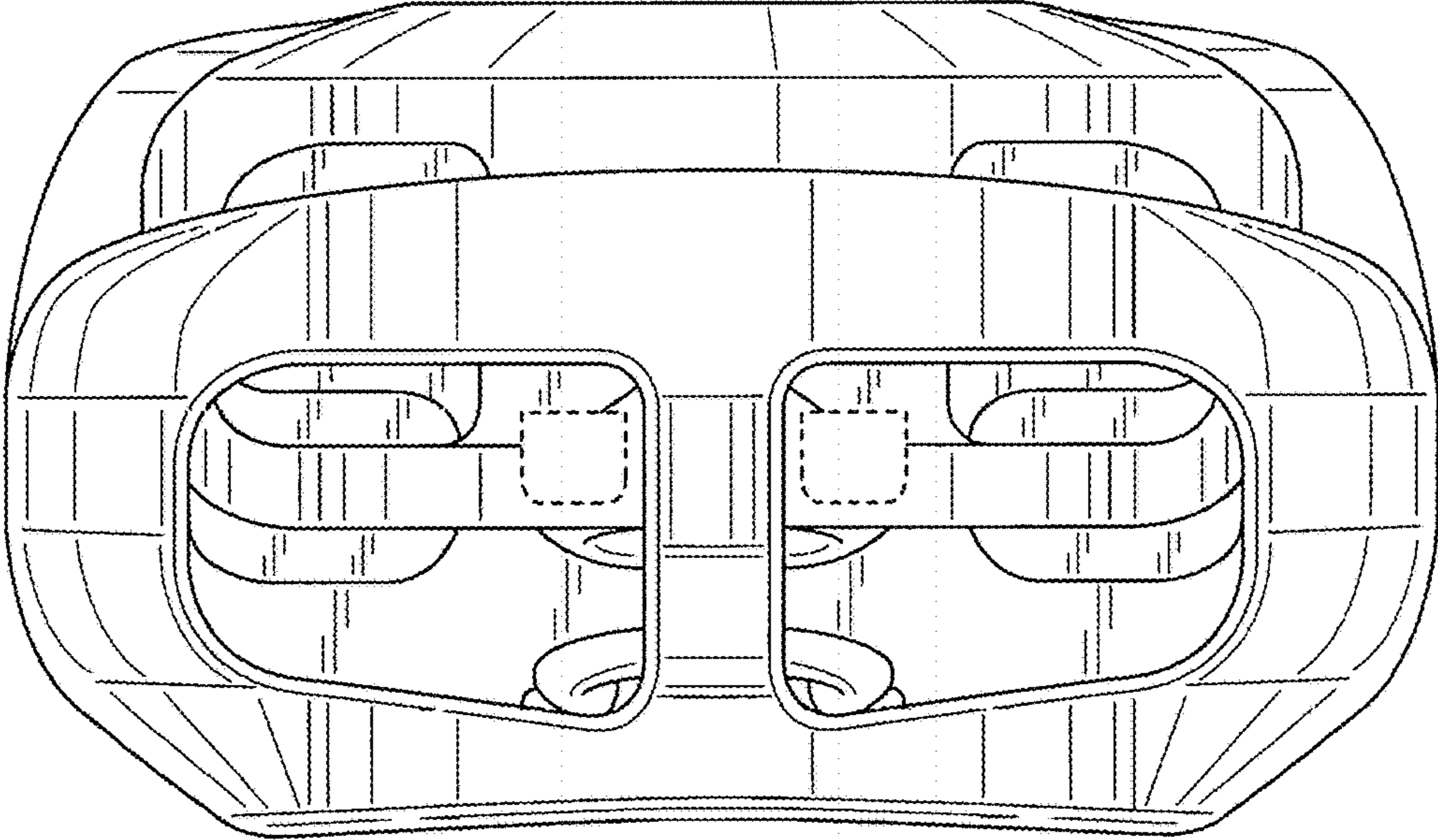


FIG. 3

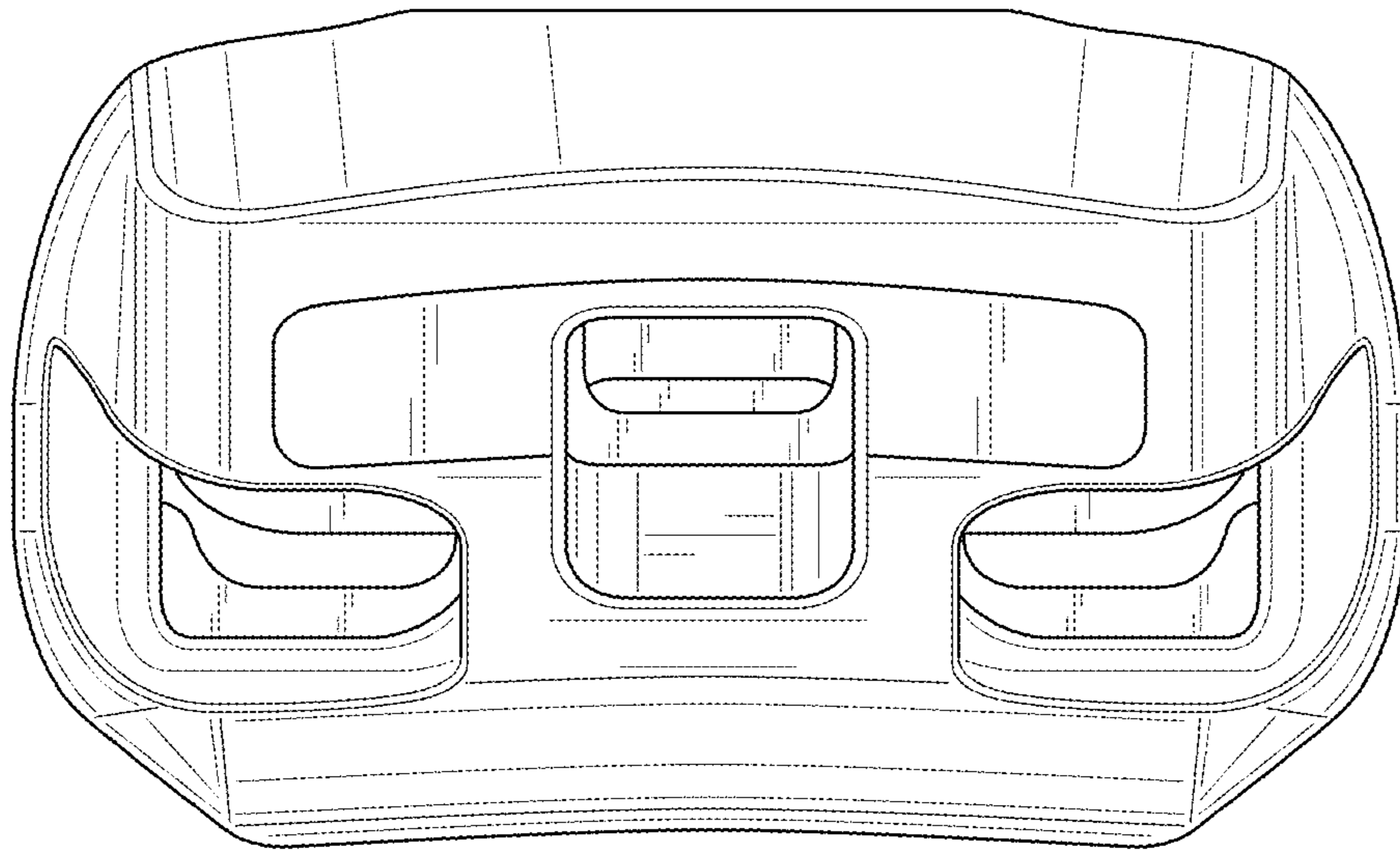


FIG. 4

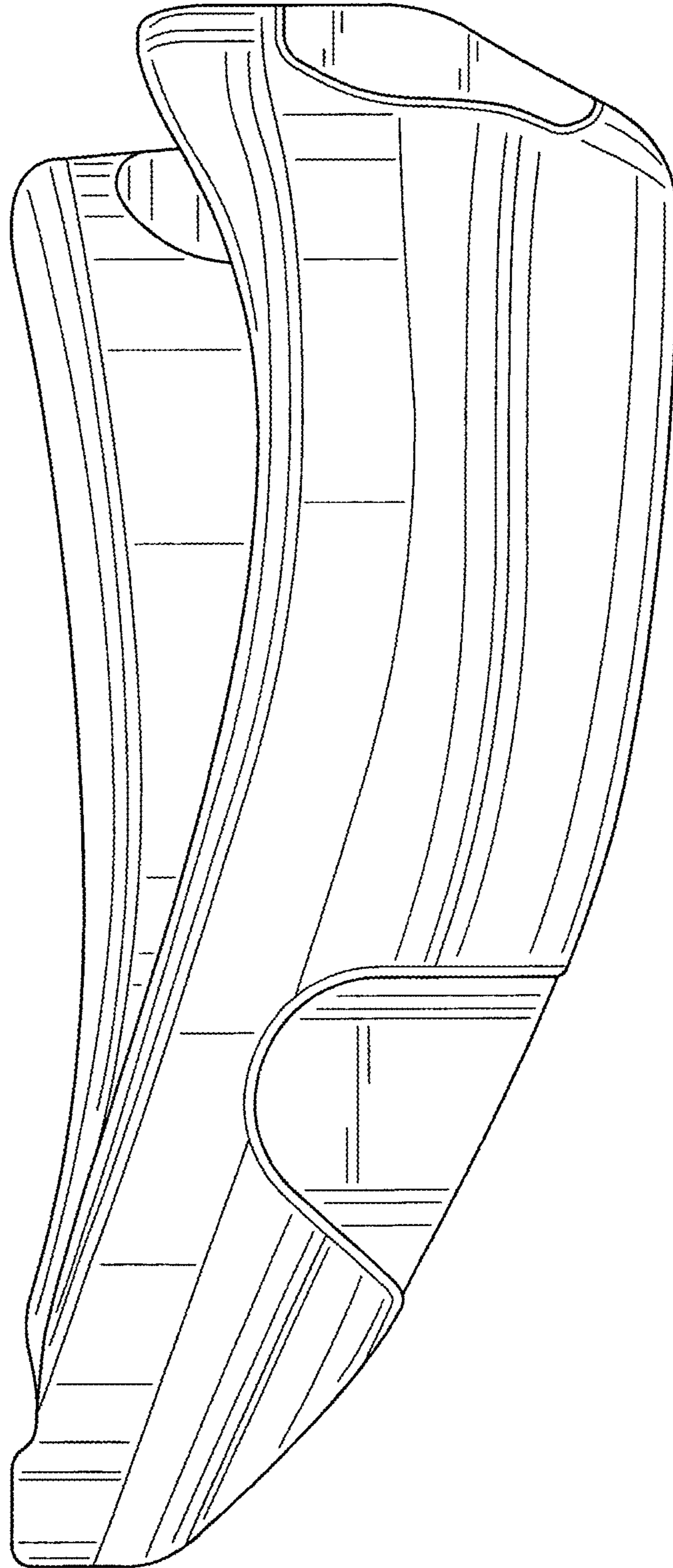


FIG. 5

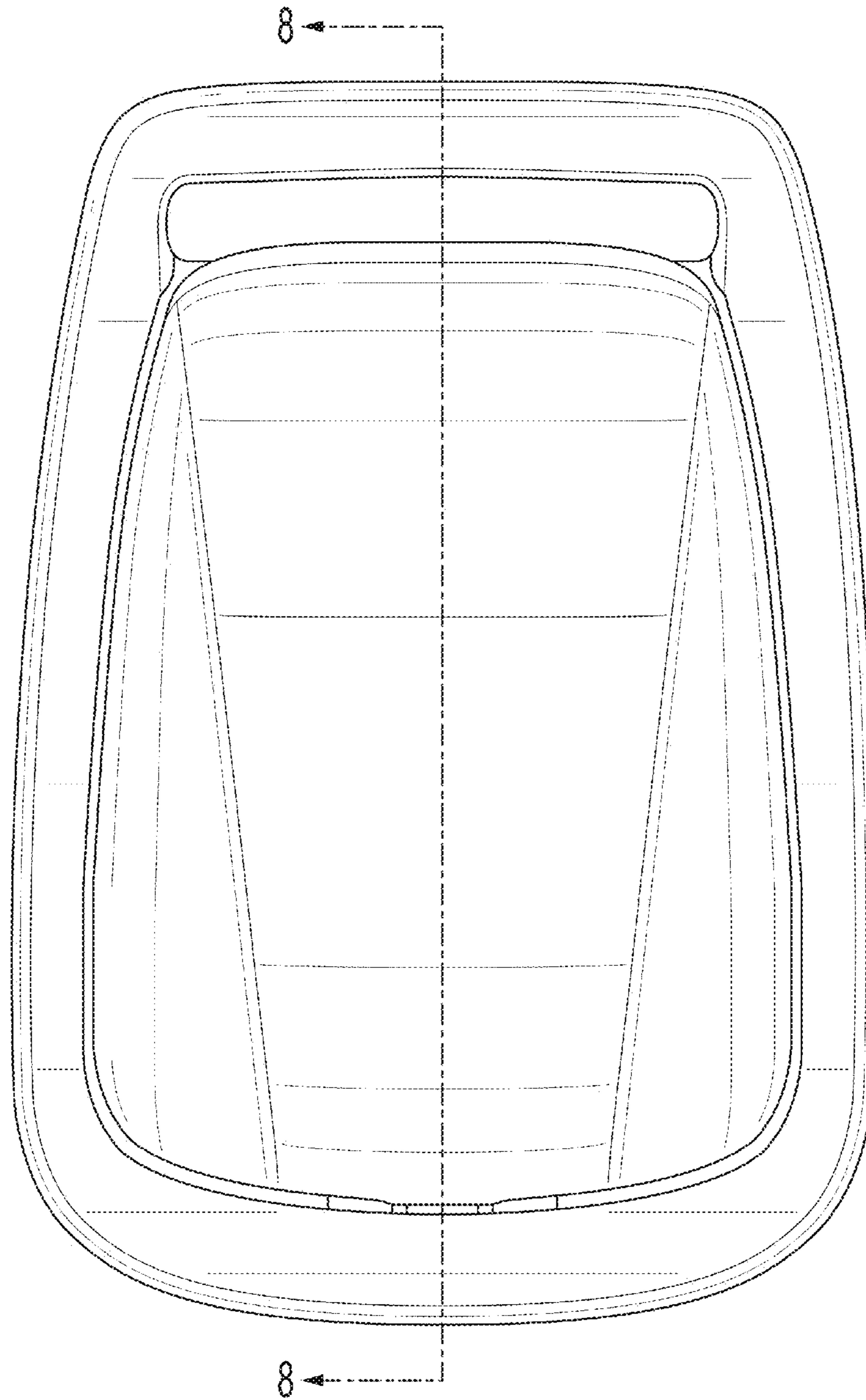


FIG. 6



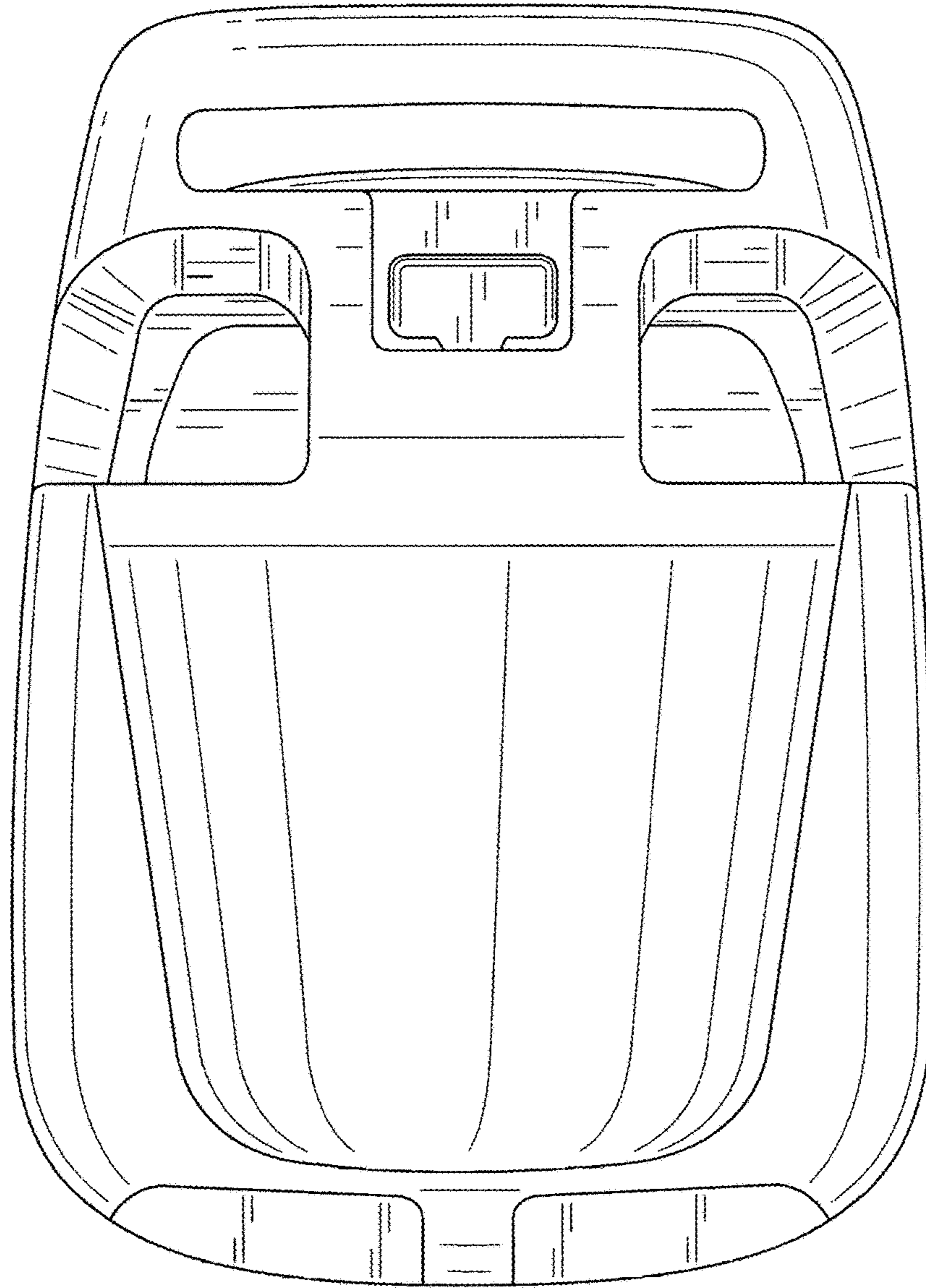


FIG. 7

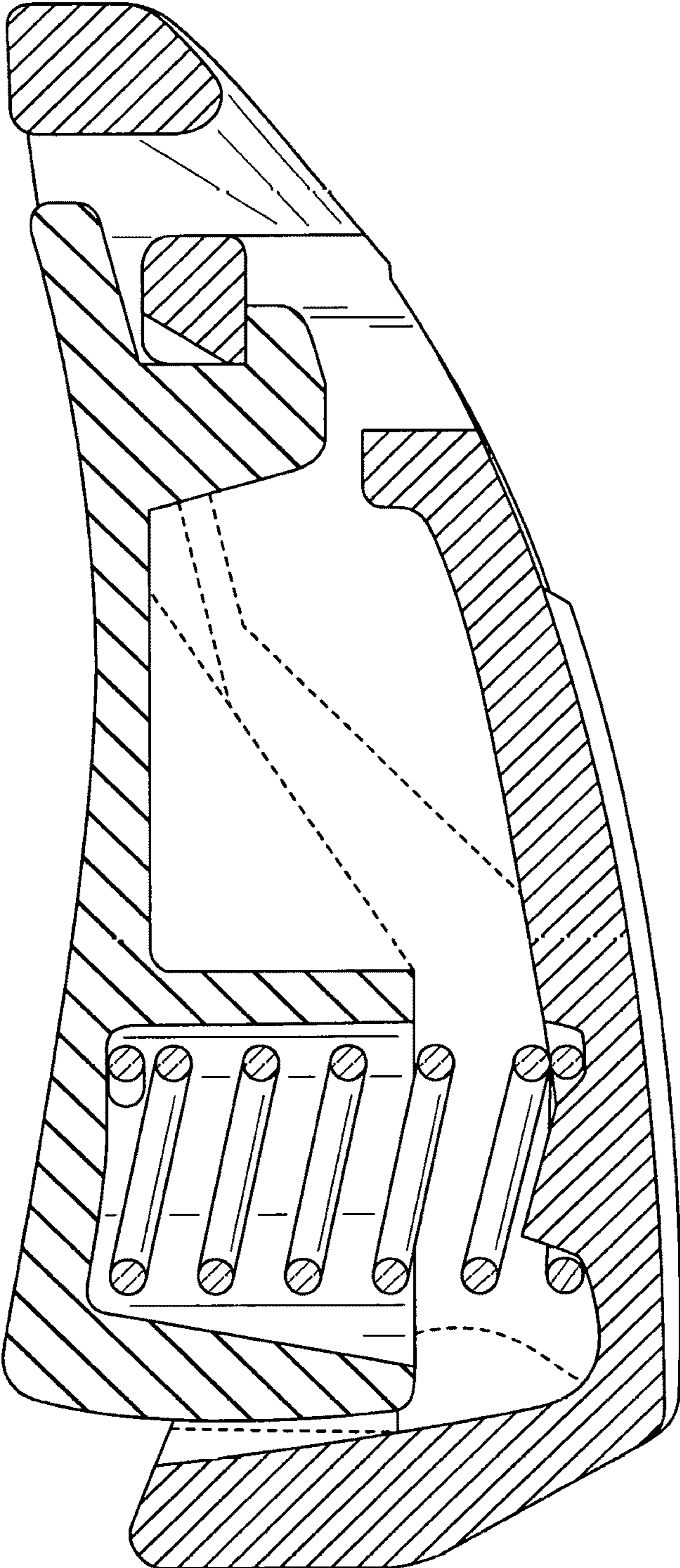


FIG. 8