



US00D773923S

(12) **United States Design Patent** (10) **Patent No.:** **US D773,923 S**
Ishii (45) **Date of Patent:** **** Dec. 13, 2016**

(54) **CORD LOCK**
(71) Applicant: **NIFCO INC.**, Yokosuka-shi, Kanagawa (JP)
(72) Inventor: **Taiyo Ishii**, Yokosuka (JP)
(73) Assignee: **NIFCO INC.**, Yokosuka-Shi, Kanagawa (JP)
(**) Term: **15 Years**
(21) Appl. No.: **29/530,657**
(22) Filed: **Jun. 18, 2015**

D551,067 S * 9/2007 Kawamura D8/383
D560,477 S * 1/2008 Yoshie D8/383
D560,478 S * 1/2008 Yoshie D8/383
D573,456 S * 7/2008 Deilmann D8/383
D586,648 S * 2/2009 Yoshie D8/385
D587,105 S * 2/2009 Chang D8/383
D615,391 S * 5/2010 Kawaguchi D8/383
D618,984 S * 7/2010 Yang D8/356
D626,322 S * 11/2010 Servettaz D2/978
D659,524 S * 5/2012 Kawaguchi D8/383
2008/0034555 A1 * 2/2008 Cheng A43C 1/00
24/115 G
2008/0098574 A1 * 5/2008 Kim F16G 11/10
24/132 WL
2009/0094798 A1 * 4/2009 Yao A43C 1/00
24/115 G
2009/0223085 A1 * 9/2009 Wolfberg A43C 7/00
36/50.1

(30) **Foreign Application Priority Data**
Dec. 22, 2014 (JP) 2014-028664
(51) **LOC (10) Cl.** **08-08**
(52) **U.S. Cl.**
USPC **D8/383**
(58) **Field of Classification Search**
USPC D8/382, 383, 356, 394, 395, 396; D11/212,
D11/215; D2/978
CPC F16G 11/03; F16G 11/101; F16G 11/10;
F16G 11/04; A43C 1/00; A43C
1/06; Y10T 24/3984; Y10T
24/3969; Y10T 24/3713; Y10T 24/3973
See application file for complete search history.

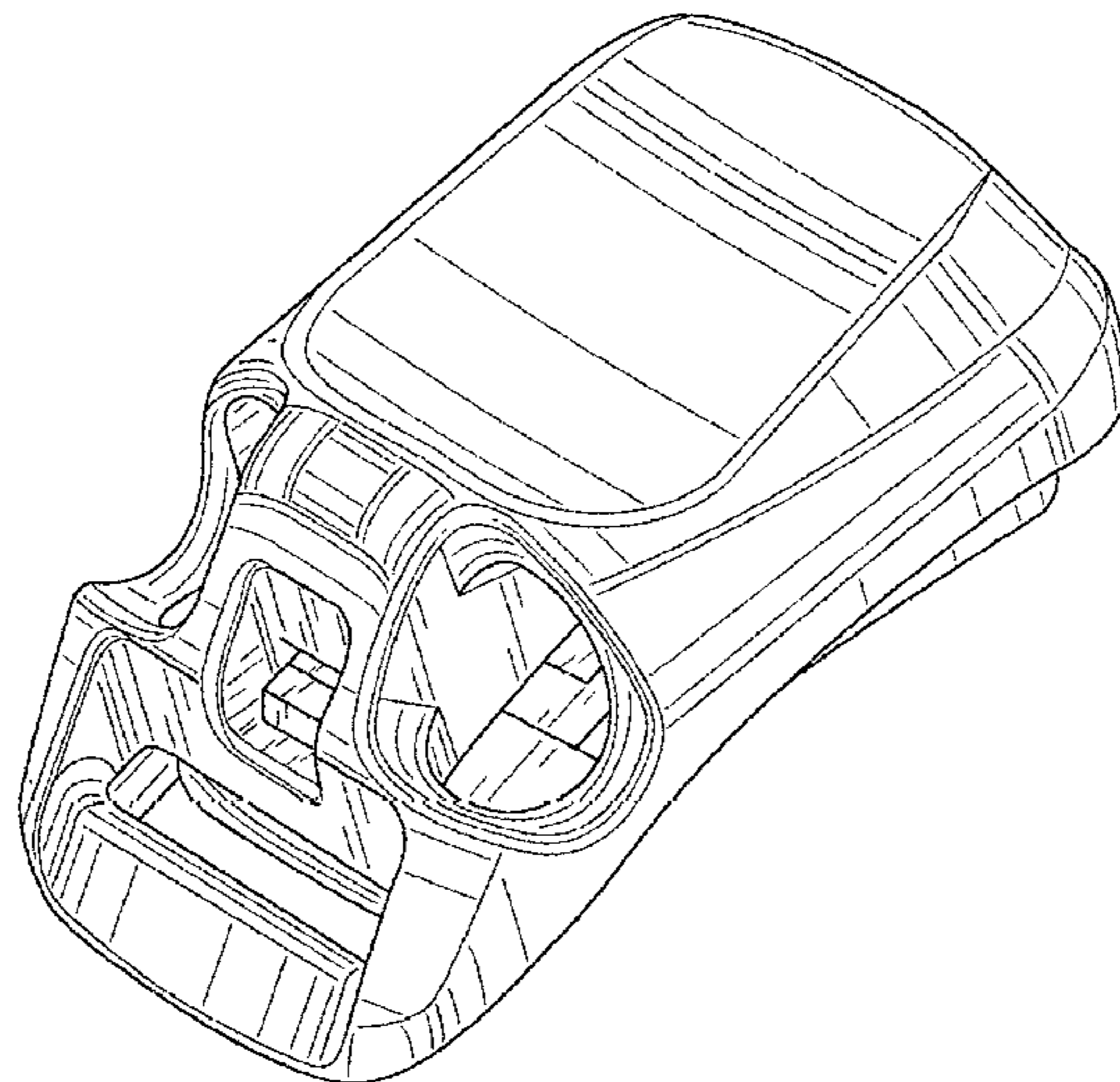
(Continued)
Primary Examiner — Ian Simmons
Assistant Examiner — Ieisha Price
(74) *Attorney, Agent, or Firm* — Manabu Kanesaka

(56) **References Cited**
U.S. PATENT DOCUMENTS
D452,138 S * 12/2001 Murata D8/383
6,334,240 B1 * 1/2002 Li A43C 7/00
24/115 G
D477,772 S * 7/2003 Nezu D11/215
D477,776 S * 7/2003 Pontaoe D8/396
D518,405 S * 4/2006 Stern D11/86
D550,067 S * 9/2007 Hsiao D8/356

(57) **CLAIM**
The ornamental design for a cord lock, as shown and described.

DESCRIPTION
FIG. 1 is a first perspective view of a cord lock showing my new design;
FIG. 2 is a second perspective view thereof;
FIG. 3 is a front view thereof;
FIG. 4 is a rear view thereof;
FIG. 5 is a left side view thereof, with the right side view being a mirror image thereof;
FIG. 6 is a top plan view thereof;
FIG. 7 is a bottom view thereof; and,
FIG. 8 is a cross-sectional view taken along the line 8-8 in FIG. 6.

1 Claim, 8 Drawing Sheets



(56)

References Cited

U.S. PATENT DOCUMENTS

2012/0042498 A1* 2/2012 Chu F16G 11/04
29/453
2013/0104346 A1* 5/2013 Kawaguchi F16G 11/101
24/115 G
2015/0181986 A1* 7/2015 Chen A43C 1/06
24/595.1
2016/0037846 A1* 2/2016 Lombardi, Jr. A41F 19/00
24/115 G

* cited by examiner

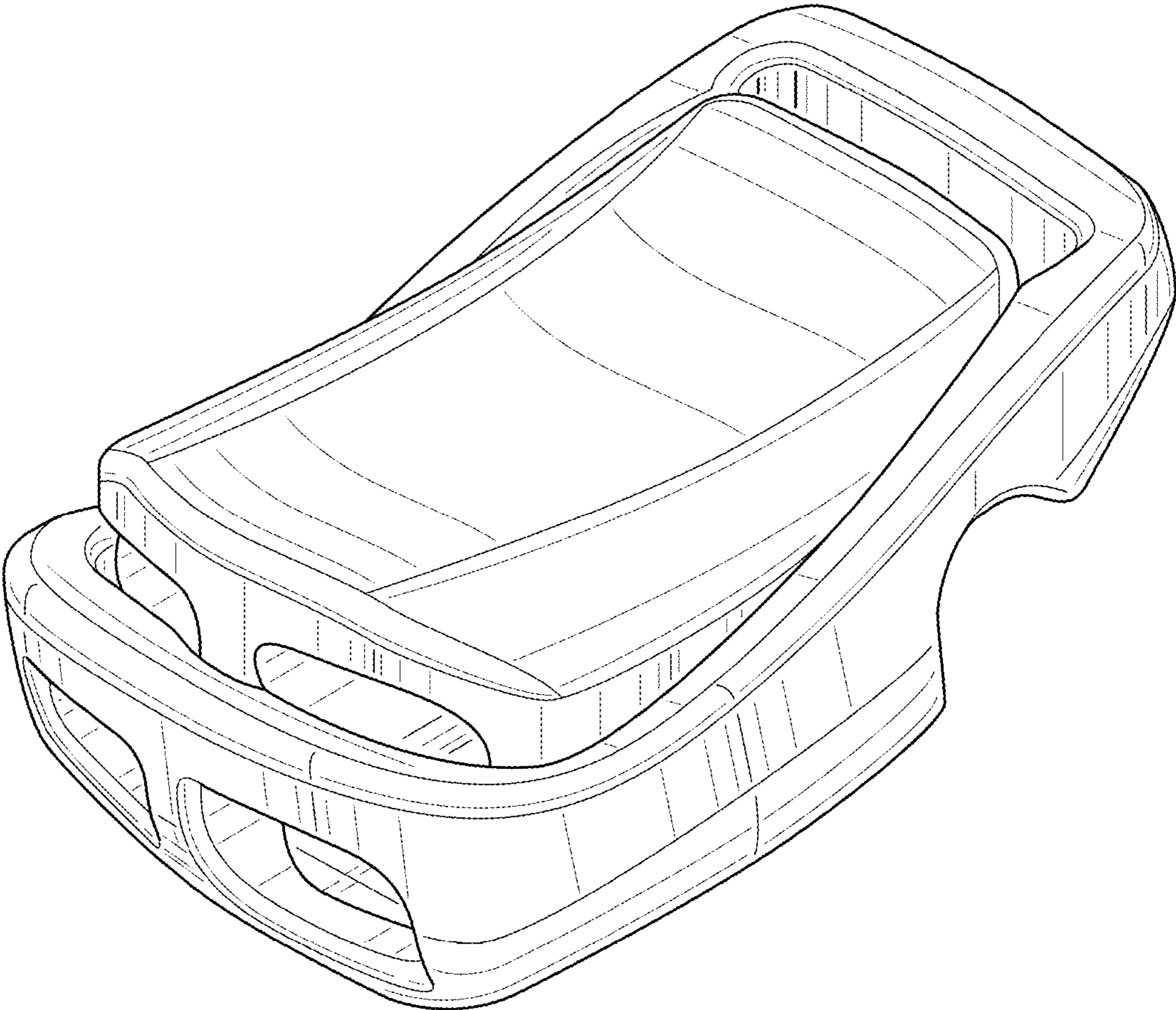


FIG. 1

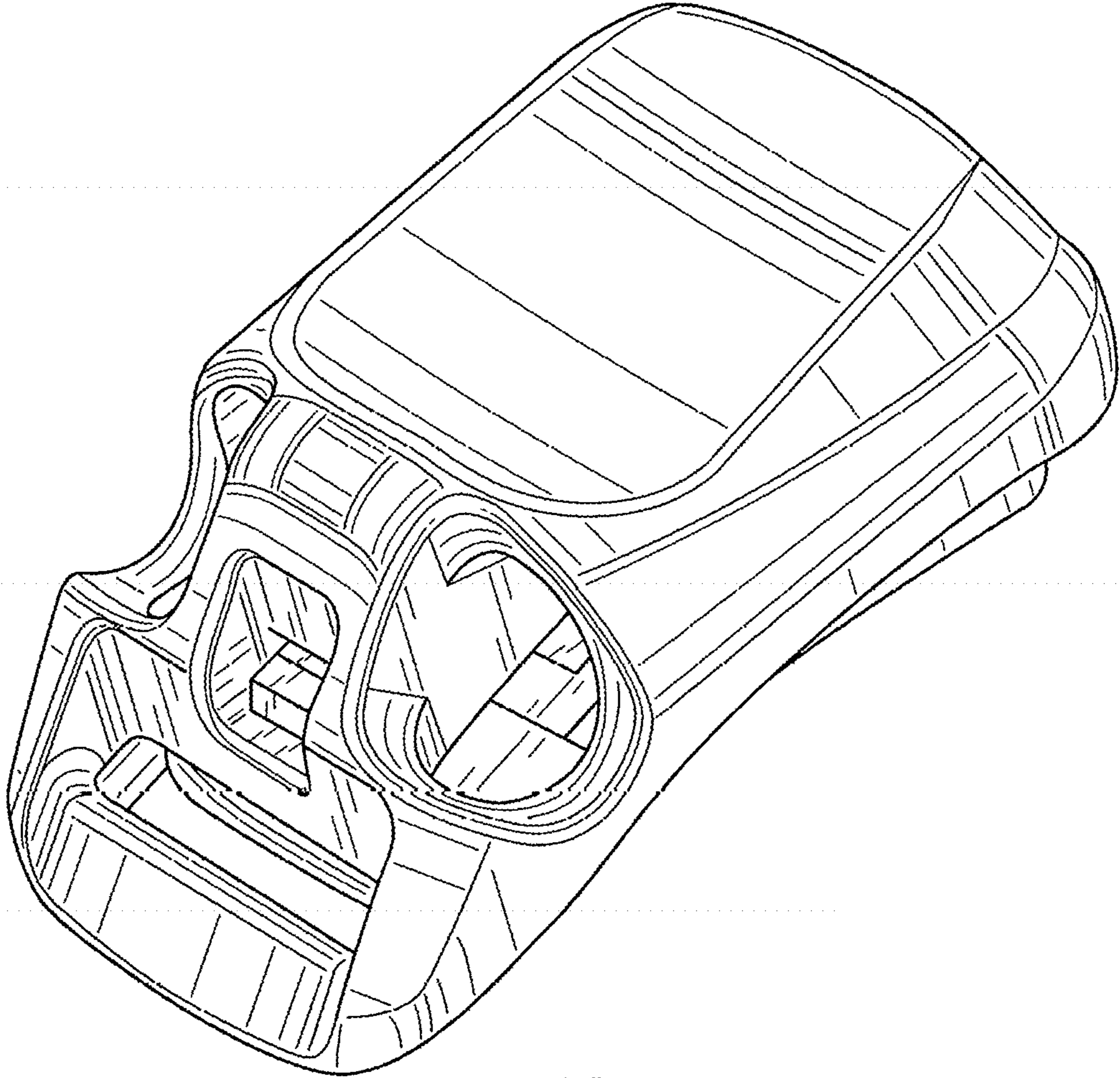


FIG. 2

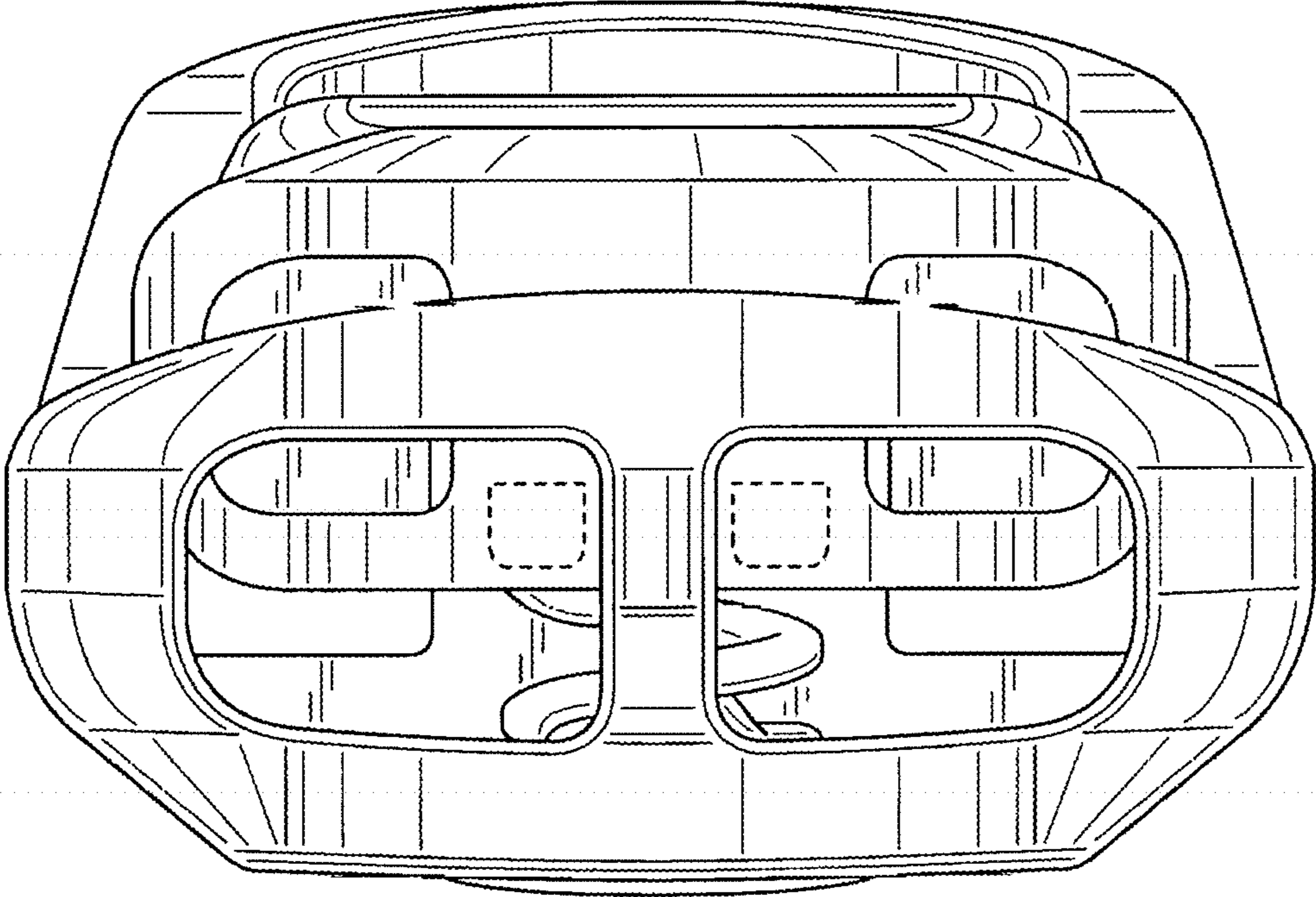


FIG. 3

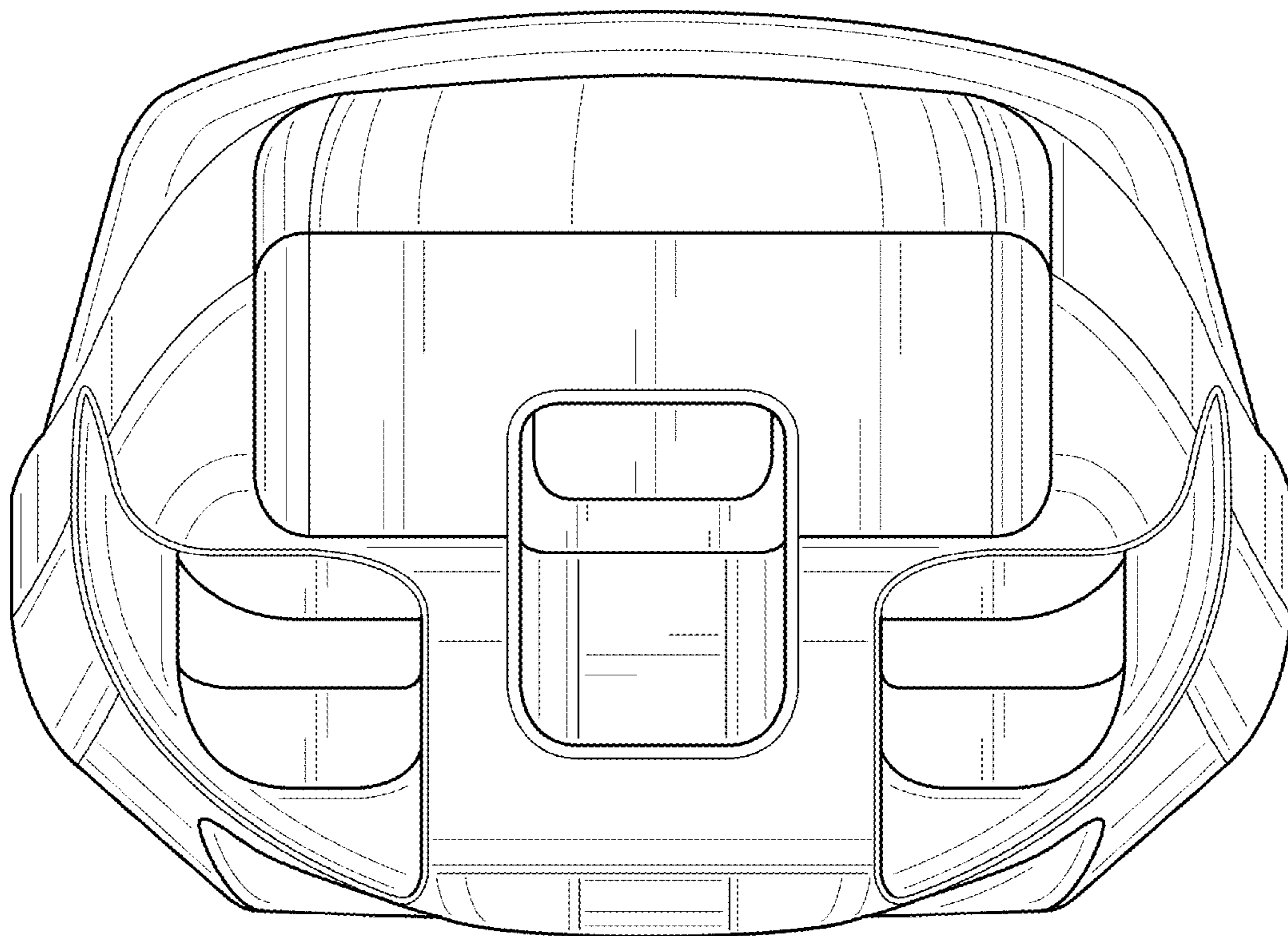


FIG. 4

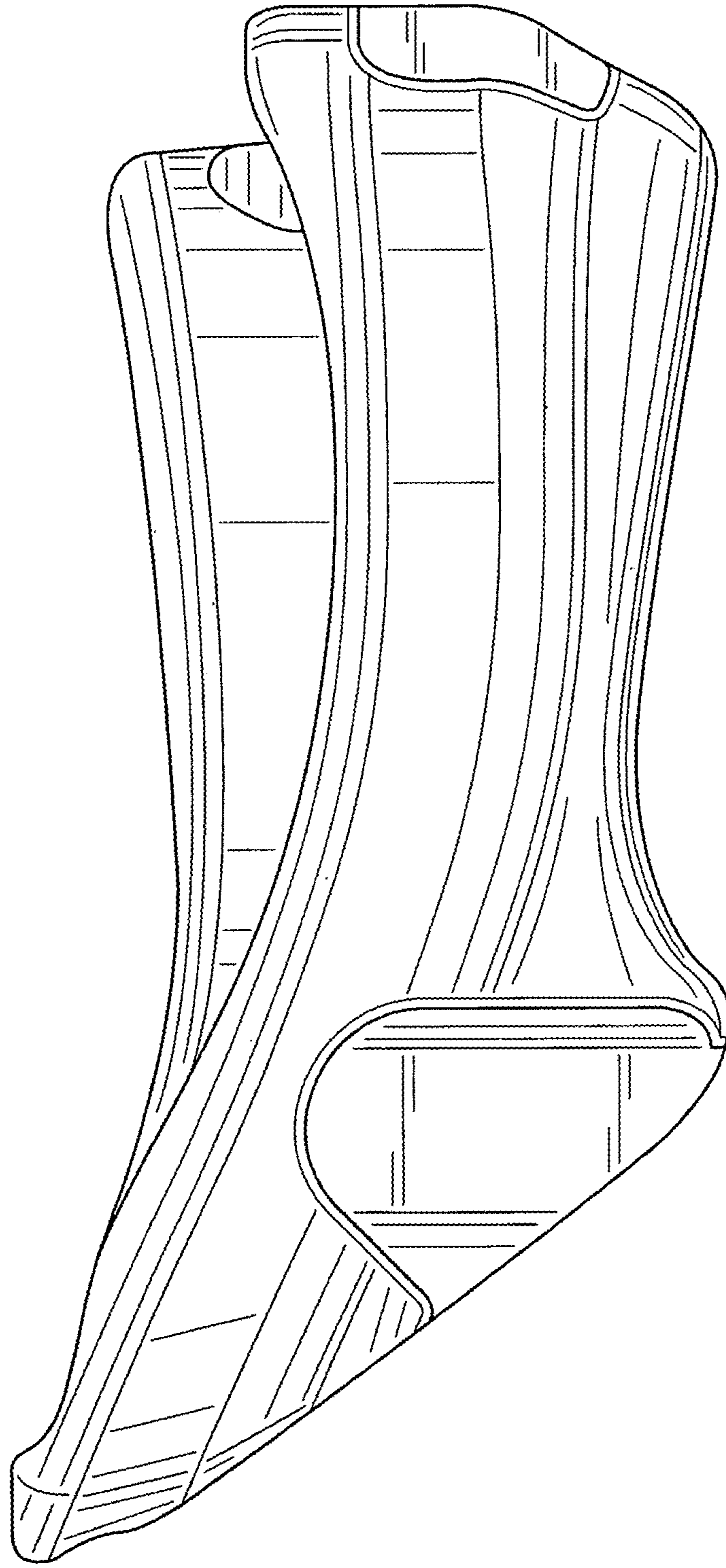


FIG. 5

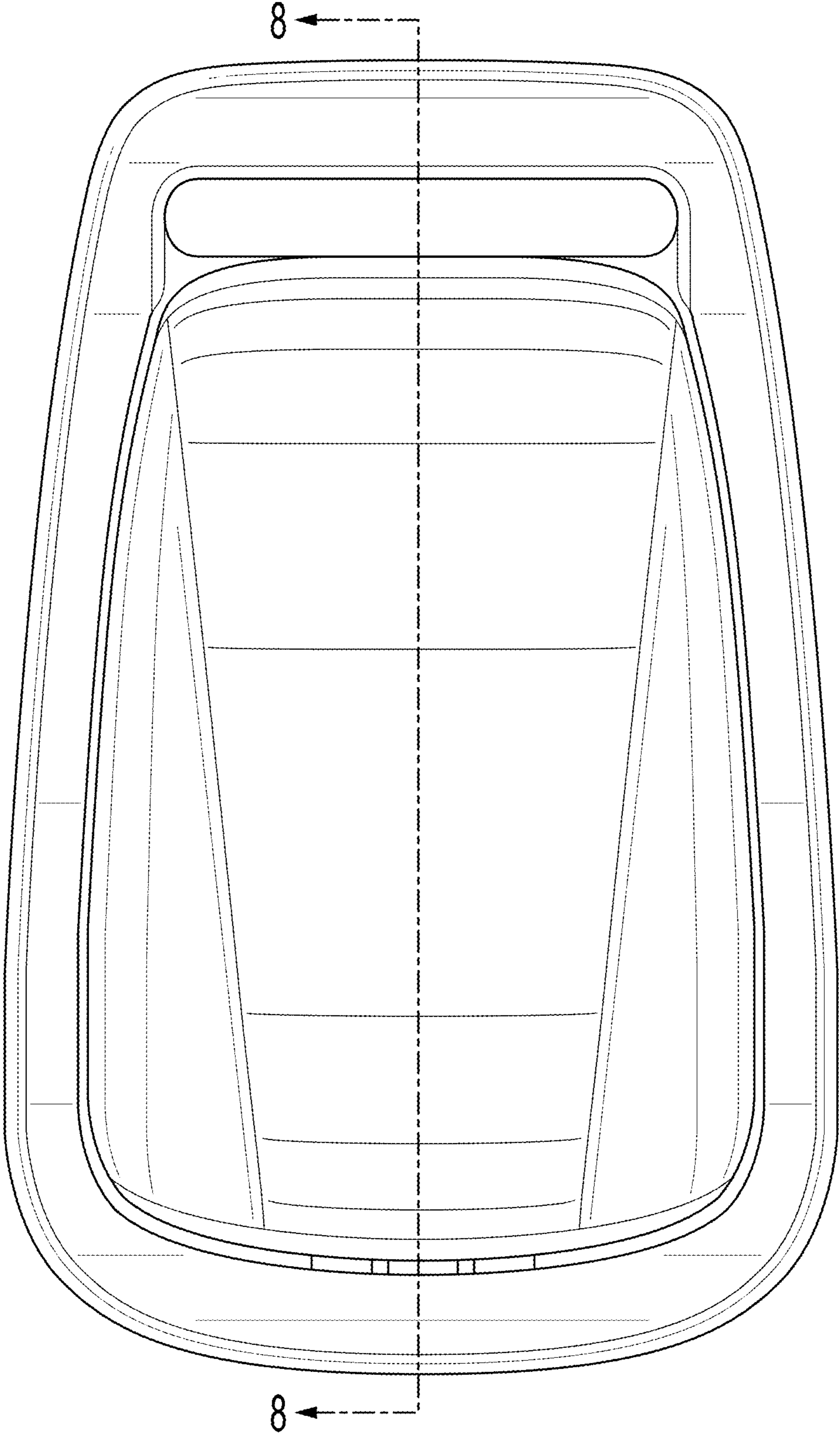


FIG. 6

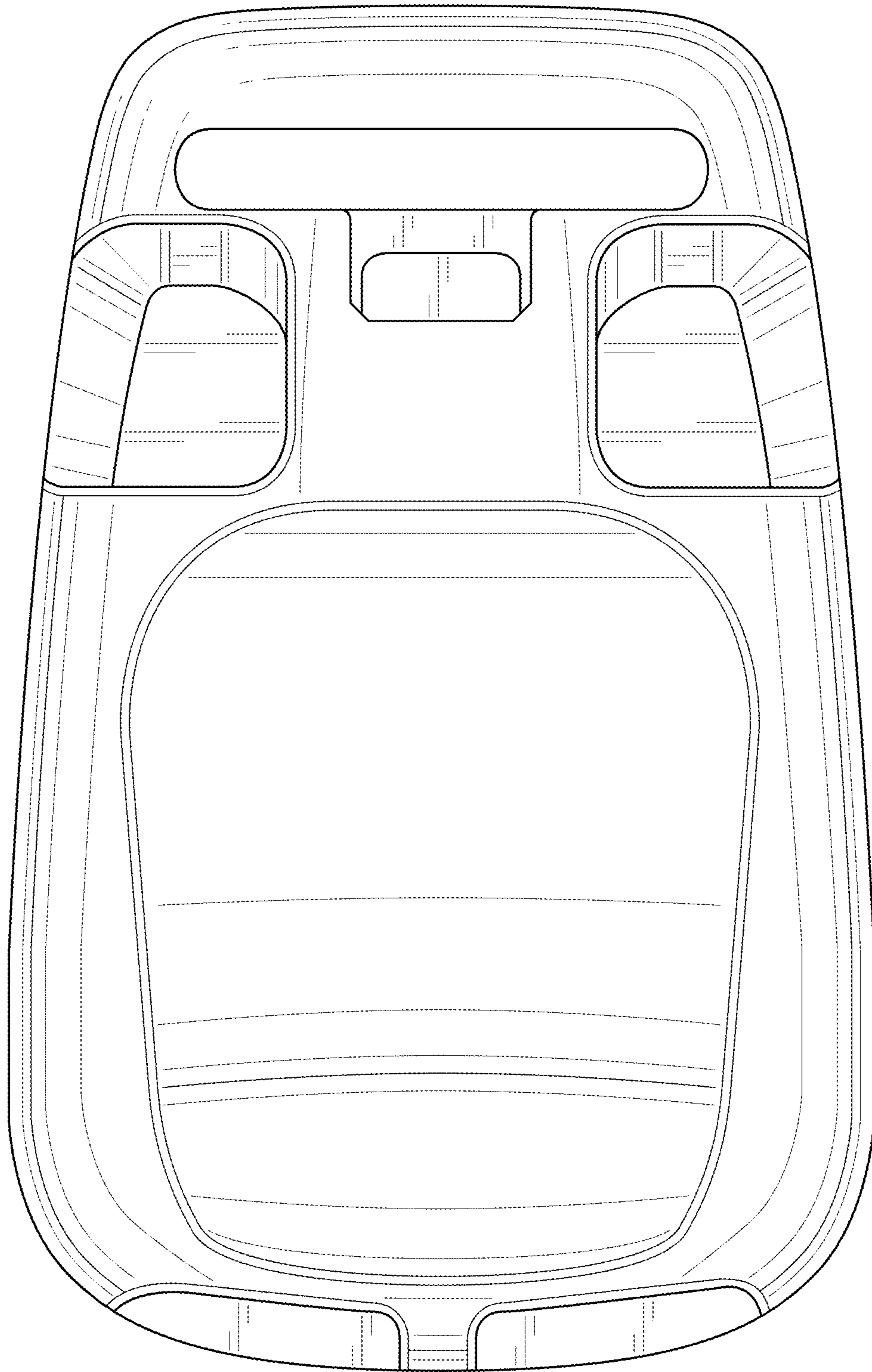


FIG. 7

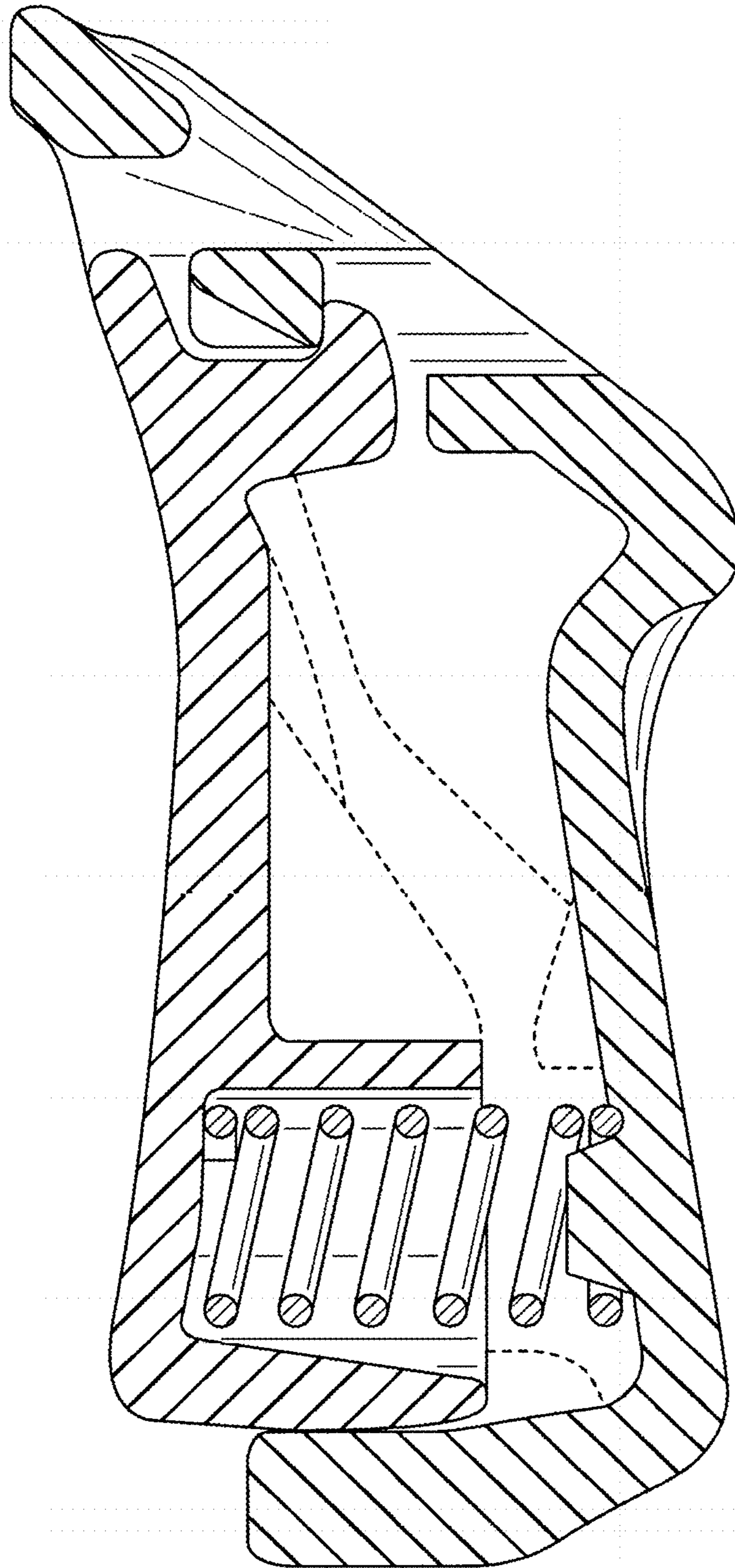


FIG. 8