



US00D773921S

(12) **United States Design Patent** (10) **Patent No.:** **US D773,921 S**  
**Weiss et al.** (45) **Date of Patent:** **\*\* Dec. 13, 2016**

(54) **STYLIZED CABINET LATCH** 5,984,383 A \* 11/1999 Parikh ..... E05B 1/0092  
292/121  
(71) Applicants: **Christopher R. Weiss**, Quincy, IL D427,882 S \* 7/2000 Wytcherley ..... D8/331  
(US); **Mandar D. Dighe**, Quincy, IL 6,623,052 B2 \* 9/2003 Hansen ..... E05B 1/0092  
(US); **Anthony W. Marshall**, Quincy, IL (US) 292/336.3  
D590,694 S \* 4/2009 Stuckey ..... D8/331  
D722,860 S \* 2/2015 Linares ..... D8/331  
(72) Inventors: **Christopher R. Weiss**, Quincy, IL D738,702 S \* 9/2015 Linares ..... D8/331  
(US); **Mandar D. Dighe**, Quincy, IL D747,639 S \* 1/2016 Linares ..... D8/331  
(US); **Anthony W. Marshall**, Quincy, IL (US) D760,061 S \* 6/2016 Roberts ..... D8/331  
(73) Assignee: **The Knapheide Manufacturing Co.**, Quincy, IL (US)  
*Primary Examiner* — Prabhakar Deshmukh  
(74) *Attorney, Agent, or Firm* — Brevetto Law Group

(\*\*) Term: **14 Years**

(21) Appl. No.: **29/521,685**

(22) Filed: **Mar. 25, 2015**

(51) **LOC (10) Cl.** ..... **08-07**

(52) **U.S. Cl.**  
USPC ..... **D8/331**

(58) **Field of Classification Search**  
USPC ... D8/330, 331, 335, 339, 302, 343; 70/141,  
70/208; 292/336.3, 169, 358, 359, 170,  
292/175, 165, 224, 140–145,  
292/240–242, DIG. 14, 292/DIG. 30,  
292/DIG. 31, DIG. 4  
CPC ..... E05C 1/10; E05C 19/10; E05B 3/00  
See application file for complete search history.

(56) **References Cited**

**U.S. PATENT DOCUMENTS**

4,706,478 A \* 11/1987 Swan ..... E05B 5/00  
292/336.3  
5,418,761 A \* 5/1995 Asano ..... H04B 1/20  
369/10

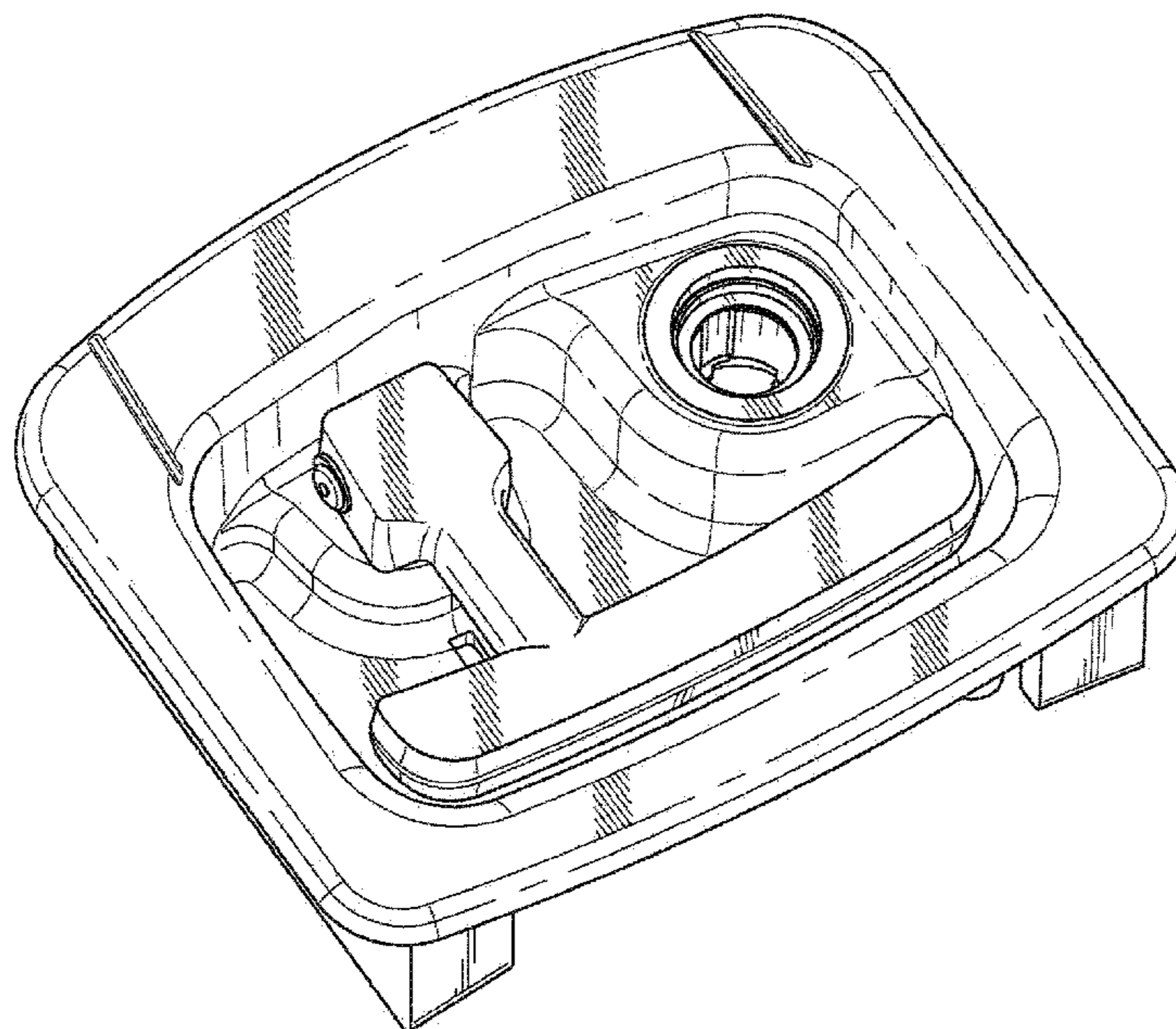
(57) **CLAIM**

The ornamental design for a stylized cabinet latch, as shown and described.

**DESCRIPTION**

FIG. 1 is a perspective view of a stylized cabinet latch showing our new design;  
FIG. 2 is a front elevational view thereof;  
FIG. 3 is a bottom plan view thereof;  
FIG. 4 is a top plan view thereof;  
FIG. 5 is a right side elevational view thereof;  
FIG. 6 is a left side elevational view thereof;  
FIG. 7 is a perspective view thereof, depicting the latch handle in an alternate position; and,  
FIG. 8 is a perspective view thereof, depicting the latch handle in another alternate position.

**1 Claim, 6 Drawing Sheets**



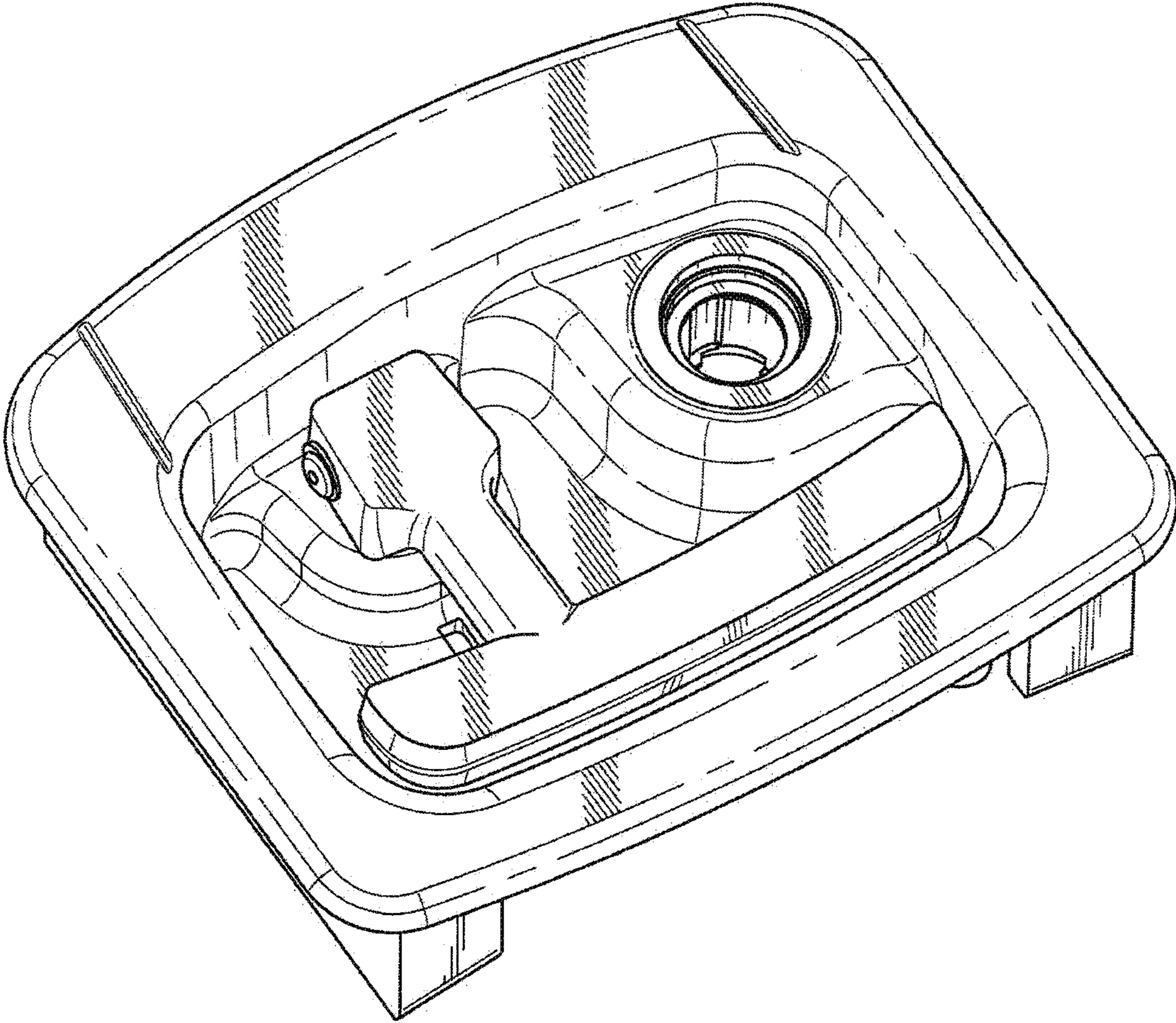


FIG. 1

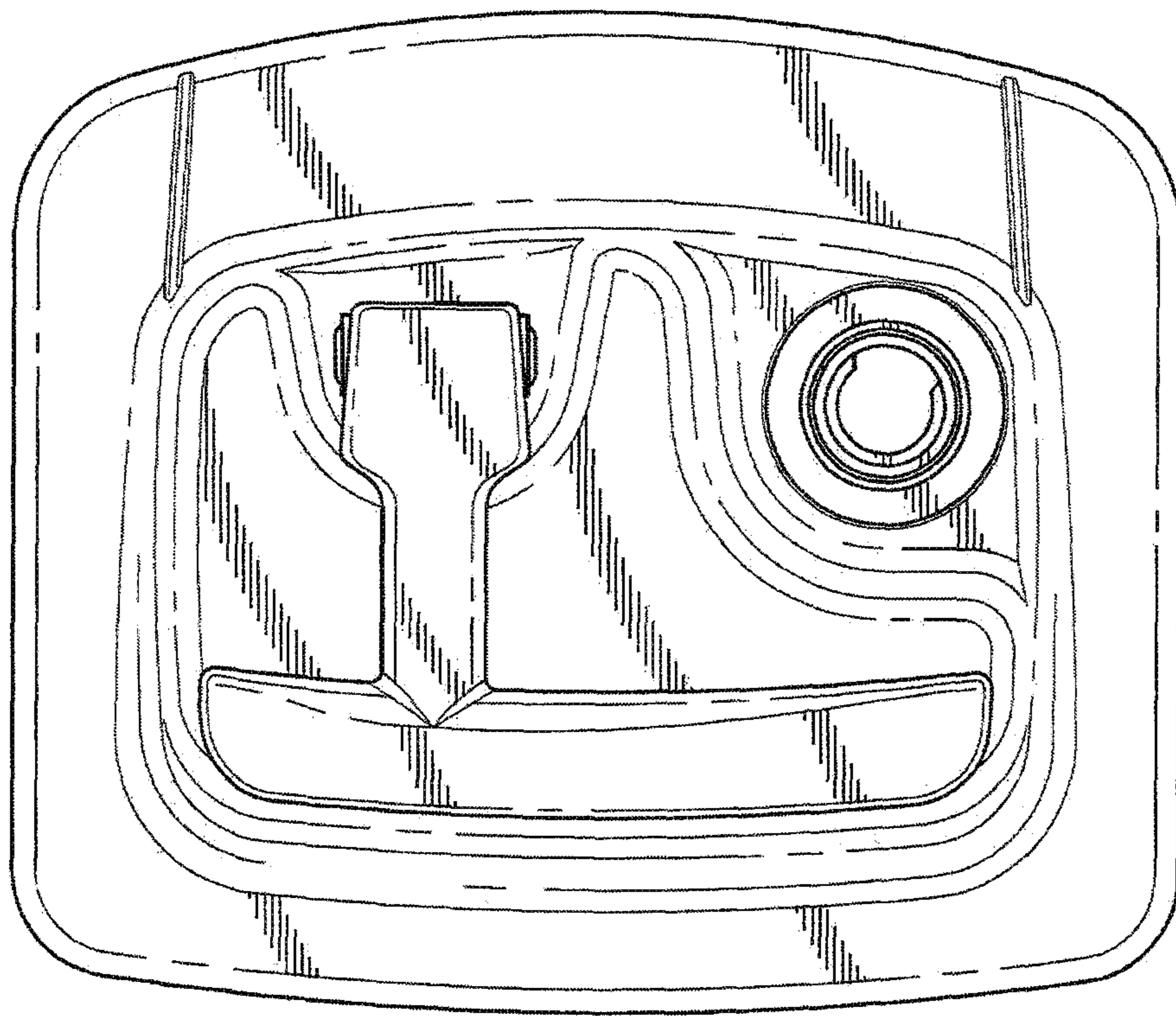


FIG. 2

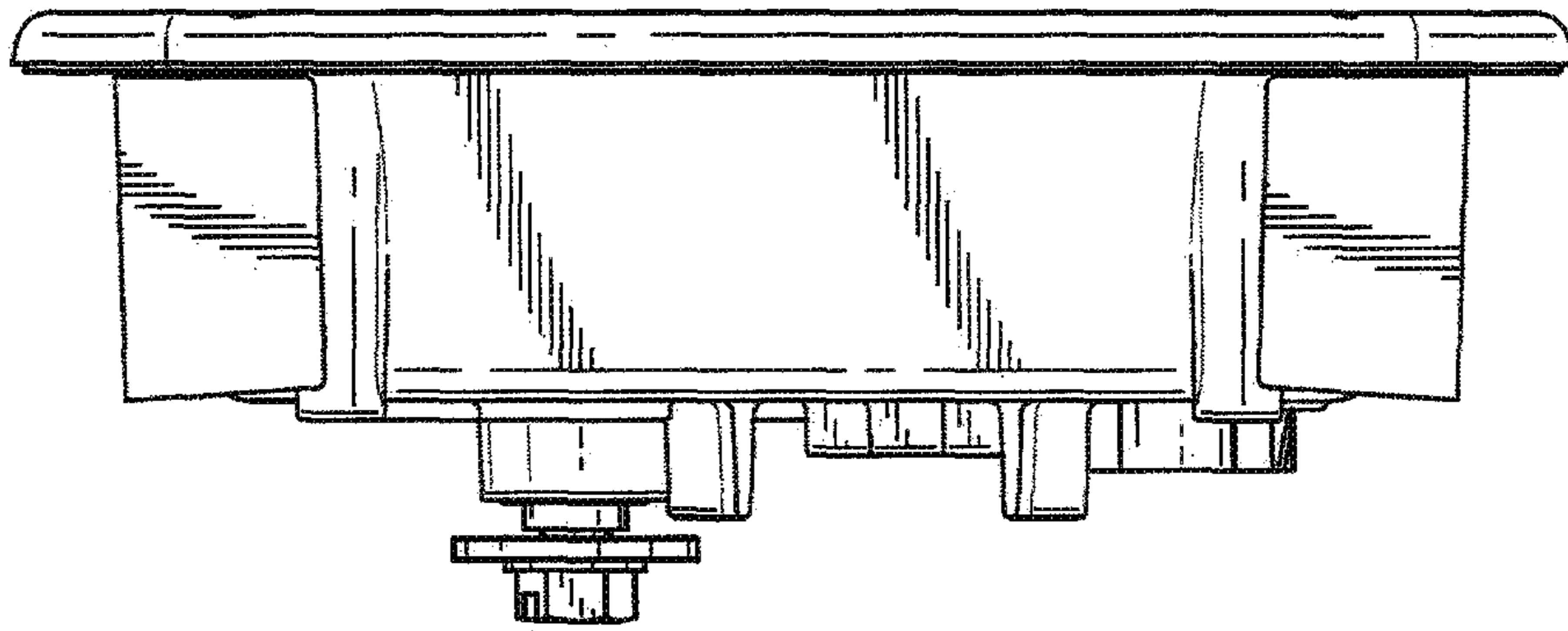


FIG. 3

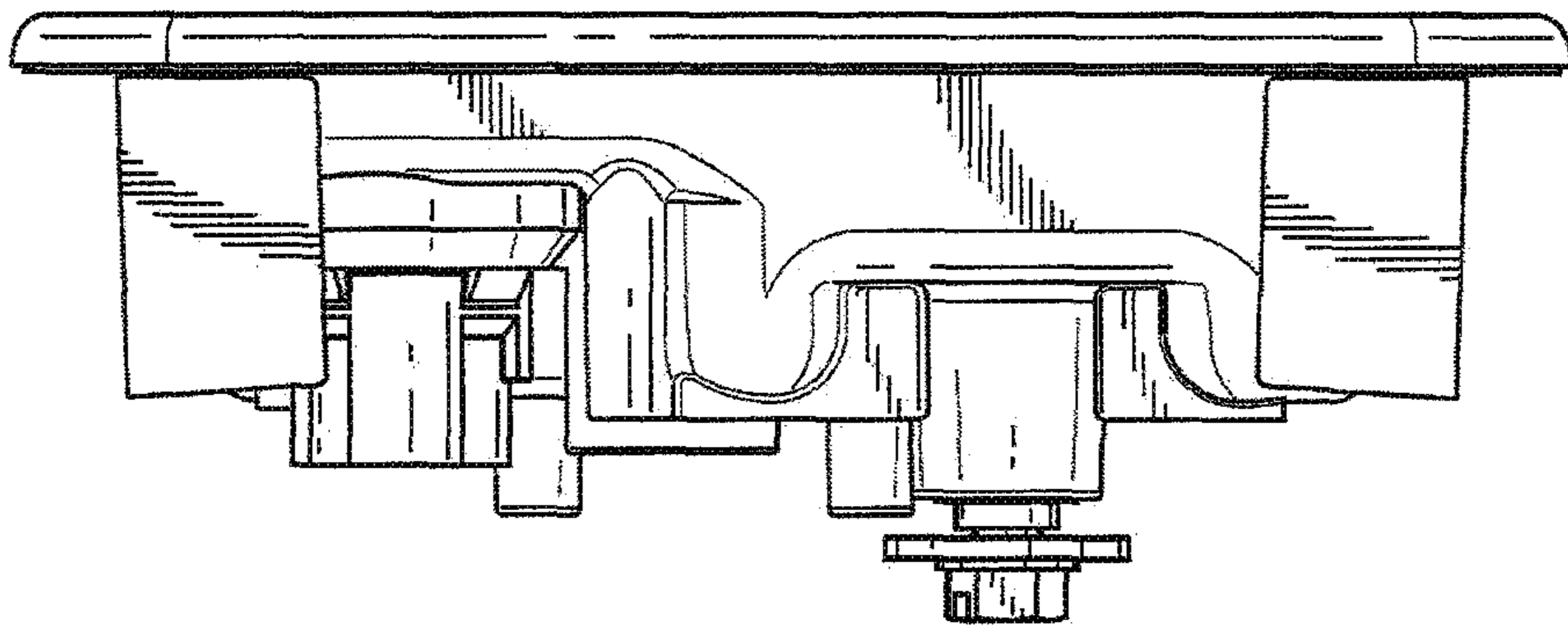


FIG. 4

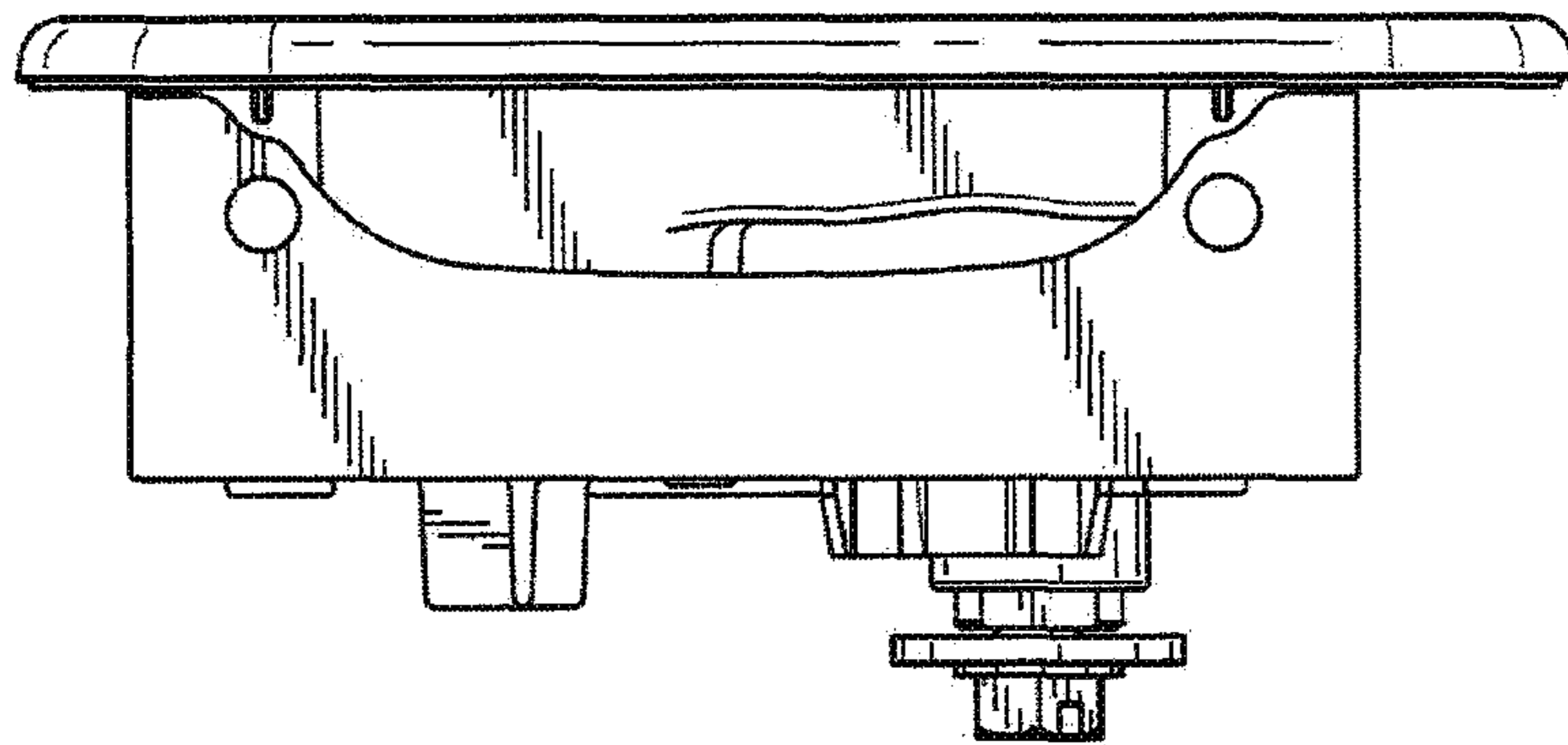


FIG. 5

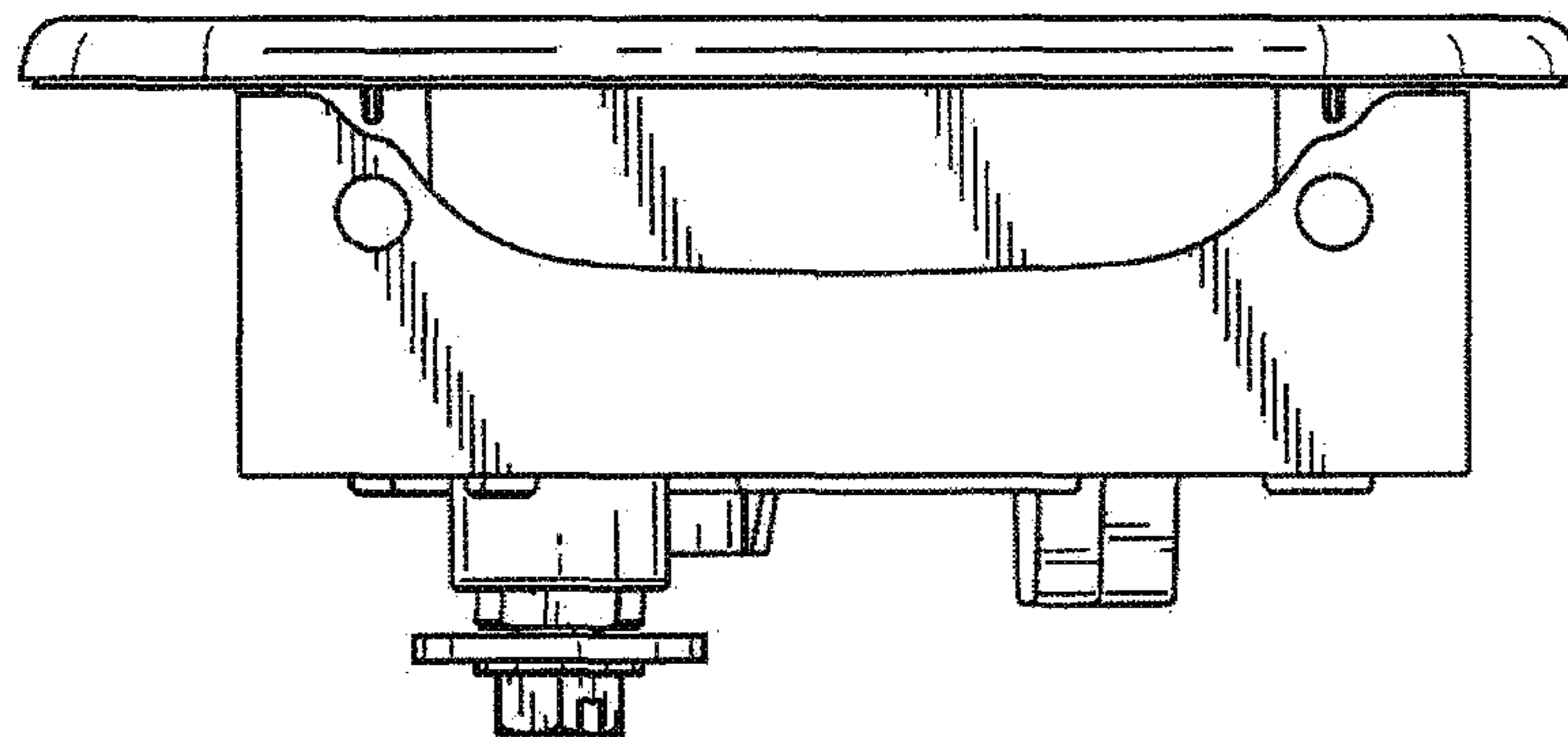


FIG. 6

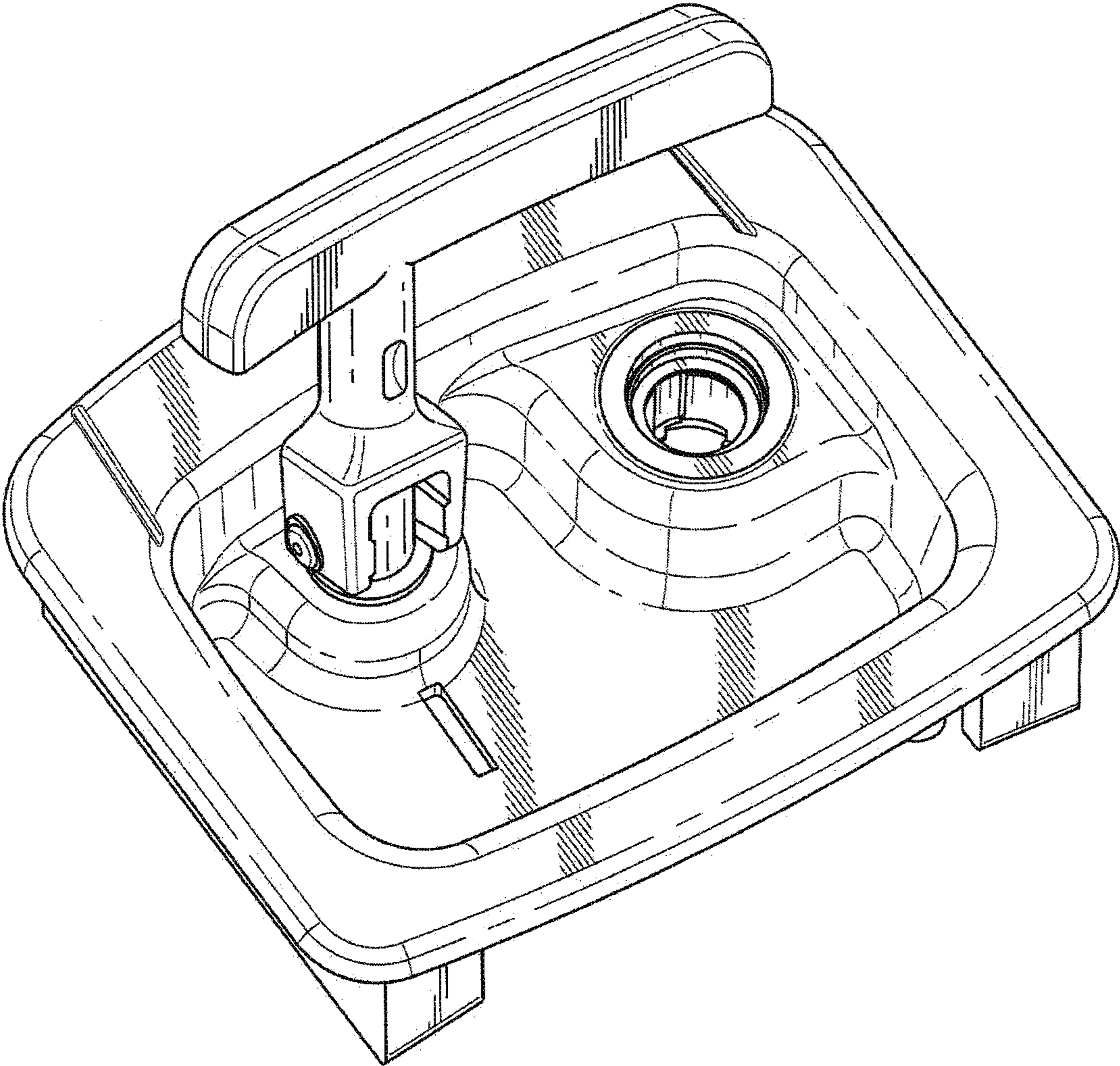


FIG. 7

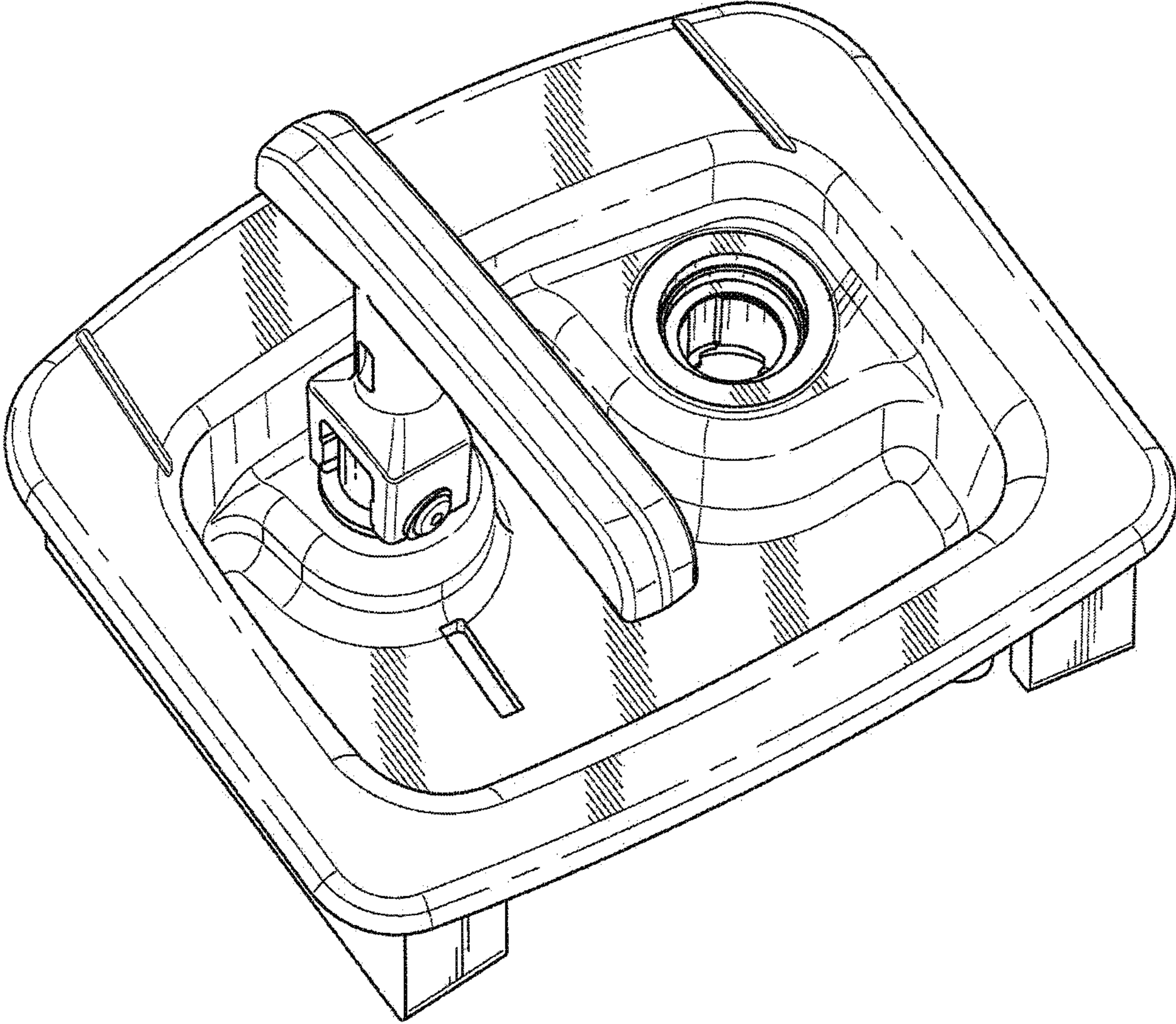


FIG. 8