



US00D773920S

(12) **United States Design Patent** (10) **Patent No.:** **US D773,920 S**  
**Funnell, II et al.** (45) **Date of Patent:** **\*\* Dec. 13, 2016**

- (54) **APPLIANCE HANDLE**
- (71) Applicant: **BSH Home Appliances Corporation**, Irvine, CA (US)
- (72) Inventors: **Richard W. Funnell, II**, Huntington Beach, CA (US); **Andrew Roberson**, Long Beach, CA (US); **Graham Sadtler**, Huntington Beach, CA (US)
- (73) Assignee: **BSH Home Appliances Corporation**, Irvine, CA (US)
- (\*\*) Term: **15 Years**
- (21) Appl. No.: **29/541,808**
- (22) Filed: **Oct. 8, 2015**

CPC ..... Y10T 16/412; Y10T 16/44; Y10T 16/513;  
 Y10T 16/458; Y10T 16/498; E05B  
 1/0053; E05B 1/00; E05B 1/0015; F24C  
 15/02; F24C 15/024; Y10S 16/19; F25D  
 23/028; F25D 2500/02  
 See application file for complete search history.

(56) **References Cited**

U.S. PATENT DOCUMENTS

D736,055 S \* 8/2015 Funnell, II ..... D8/315  
 D747,948 S \* 1/2016 Funnell, II ..... D8/315

\* cited by examiner

*Primary Examiner* — Mark Goodwin

(74) *Attorney, Agent, or Firm* — Michael E. Tschupp; Andre Pallapies

(57) **CLAIM**

The ornamental design for an appliance handle, as shown and described.

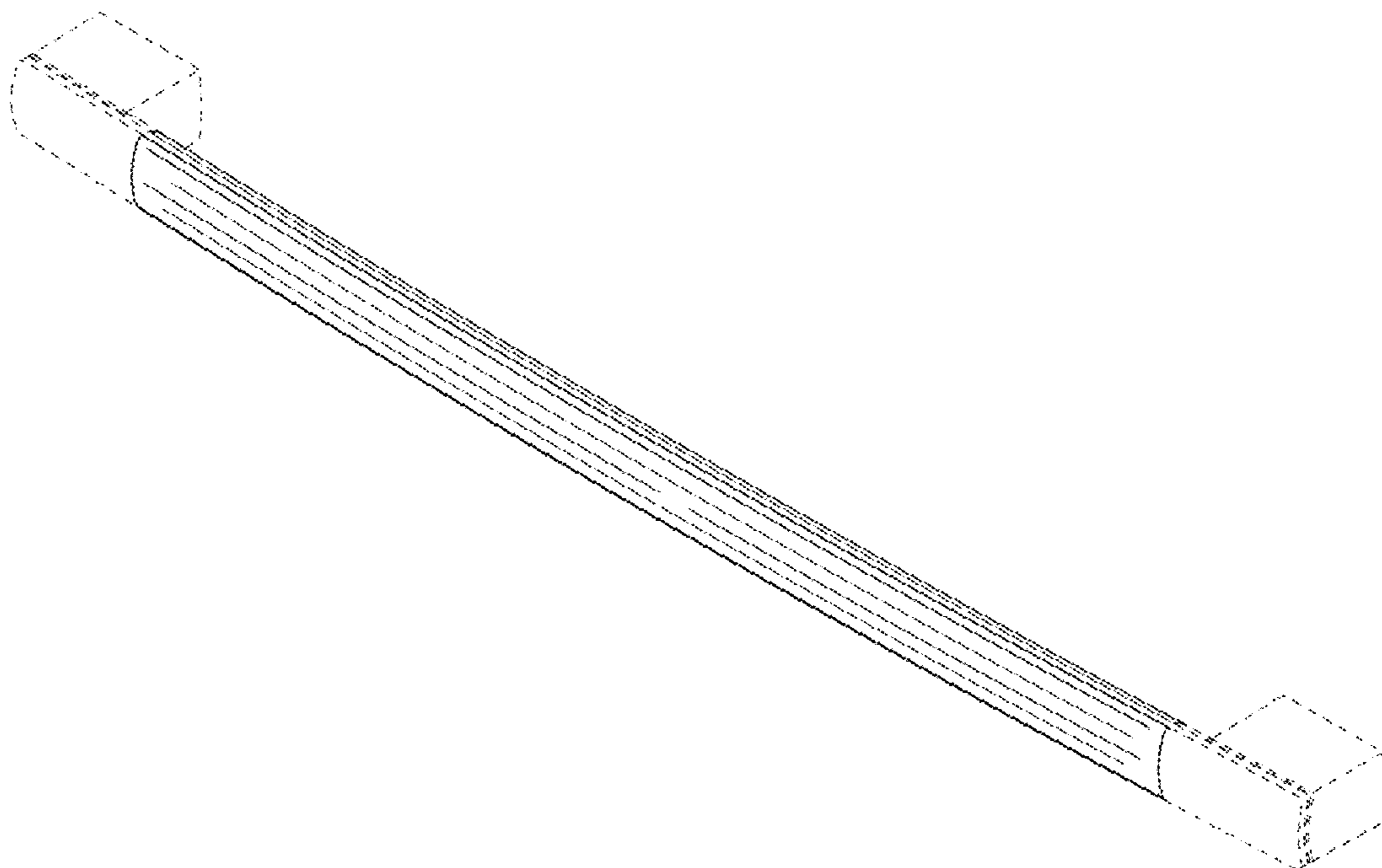
**DESCRIPTION**

FIG. 1 is a front perspective view of an appliance handle according to our new ornamental design;  
 FIG. 2 a top view thereof, with the bottom view being a mirror image thereof;  
 FIG. 3 is a front view thereof;  
 FIG. 4 is a rear view thereof; and,  
 FIG. 5 is a right side view thereof, with the left side view thereof being a mirror image thereof.  
 The broken lines of the appliance handle indicate surrounding environment or structure and do not form a part of the claimed design.

**1 Claim, 2 Drawing Sheets**

**Related U.S. Application Data**

- (62) Division of application No. 29/526,329, filed on May 8, 2015, now Pat. No. Des. 747,948, which is a division of application No. 29/456,399, filed on May 31, 2013, now Pat. No. Des. 736,055.
- (51) **LOC (10) Cl.** ..... **08-06**
- (52) **U.S. Cl.**  
USPC ..... **D8/319**; D8/315
- (58) **Field of Classification Search**  
USPC ..... D8/315, 319; D15/78-89, 91; 16/412, 16/436, 246-255, 3.1, 3.6, 3.63, 3.64; 312/400-409, 236, 352, 116, 128



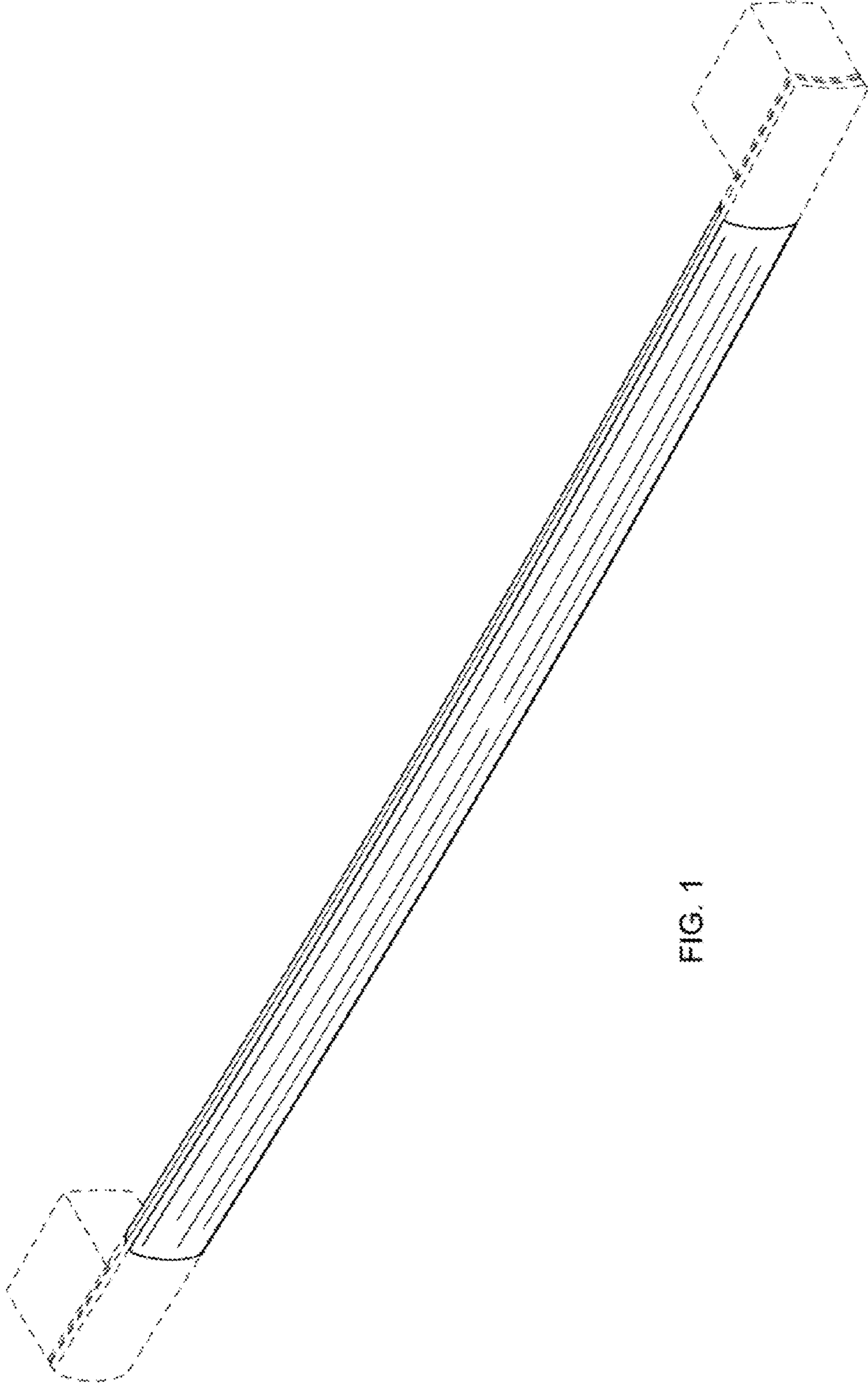


FIG. 1

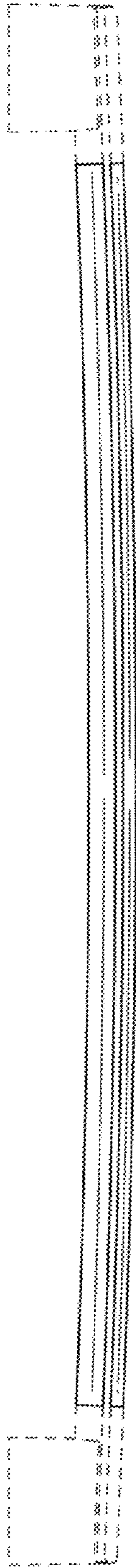


FIG. 2

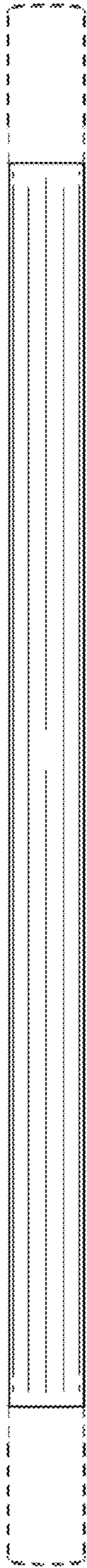


FIG. 3

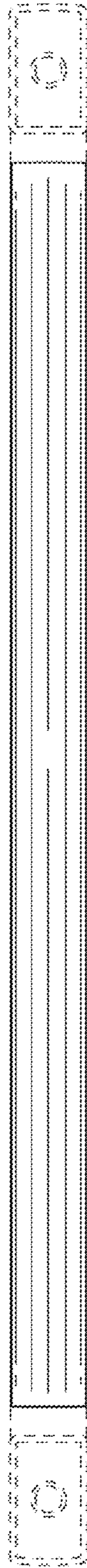


FIG. 4



FIG. 5