



US00D773919S

(12) **United States Design Patent**
Carlino

(10) **Patent No.:** **US D773,919 S**

(45) **Date of Patent:** **** Dec. 13, 2016**

(54) **DOOR PULL**
(71) Applicant: **TIRAR PTY LTD**, Waitara, New South
Wales (AU)
(72) Inventor: **Felice Carlino**, Waitara (AU)
(73) Assignee: **TIRAR PTY LTD**, Waitara, NSW
(AU)
(**) Term: **15 Years**

6,546,597 B2 * 4/2003 Atalla E05B 1/0015
16/412
D565,892 S * 4/2008 McConnell D7/402
D569,704 S * 5/2008 Ricereto D8/315
D579,310 S * 10/2008 Suh D15/89
7,458,133 B2 * 12/2008 Wing E05B 1/0053
16/412
D588,172 S * 3/2009 Yang D15/89
D597,396 S * 8/2009 Menzies D8/315
D736,055 S * 8/2015 Funnell, II D8/315
D747,948 S * 1/2016 Funnell, II D8/315

* cited by examiner

(21) Appl. No.: **29/535,852**
(22) Filed: **Aug. 11, 2015**
(51) **LOC (10) Cl.** **08-06**
(52) **U.S. Cl.**
USPC **D8/315**
(58) **Field of Classification Search**
USPC D8/300, 301, 315-320; D15/77, 89, 91;
16/110.1, 113.1, 415, 418, 436, 462, 900,
16/901, 902; 292/347, 348, 336.3
CPC E05B 1/00; E05B 5/00
See application file for complete search history.

Primary Examiner — Prabhakar Deshmukh
(74) *Attorney, Agent, or Firm* — Ladas & Parry LLP

(57) **CLAIM**

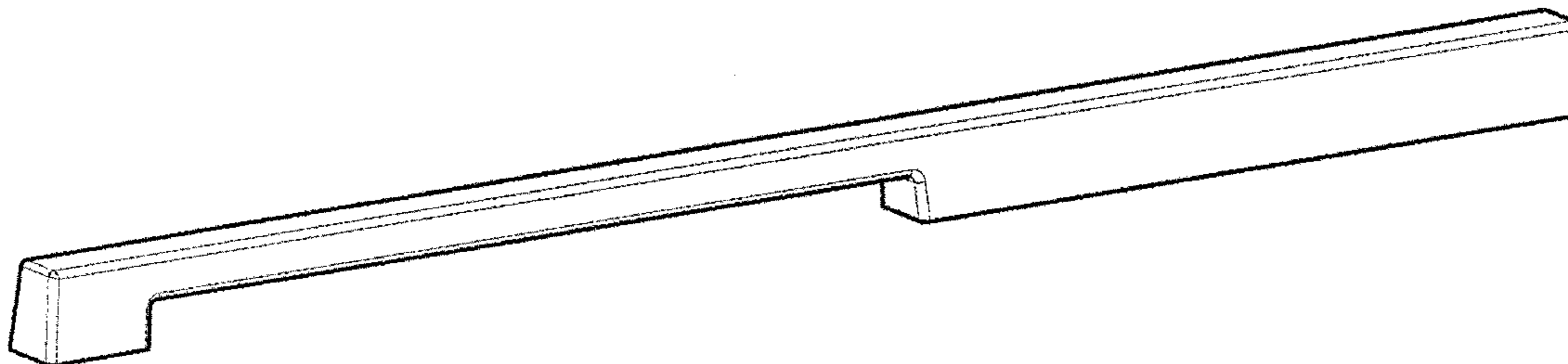
The ornamental design for a door pull, as shown and described.

DESCRIPTION

FIG. 1 is a perspective view from the front and top of the door pull embodying our new design;
FIG. 2 is a top plan view thereof;
FIG. 3 is a bottom plan view thereof;
FIG. 4 is a left side elevational view thereof, the right side elevational view being a mirror image thereof; and,
FIG. 5 is an end view thereof, the opposite end view appearing the same.

(56) **References Cited**
U.S. PATENT DOCUMENTS
D165,702 S * 1/1952 Stewart D8/315
5,295,595 A * 3/1994 Gobidas A47H 1/18
160/330

1 Claim, 3 Drawing Sheets



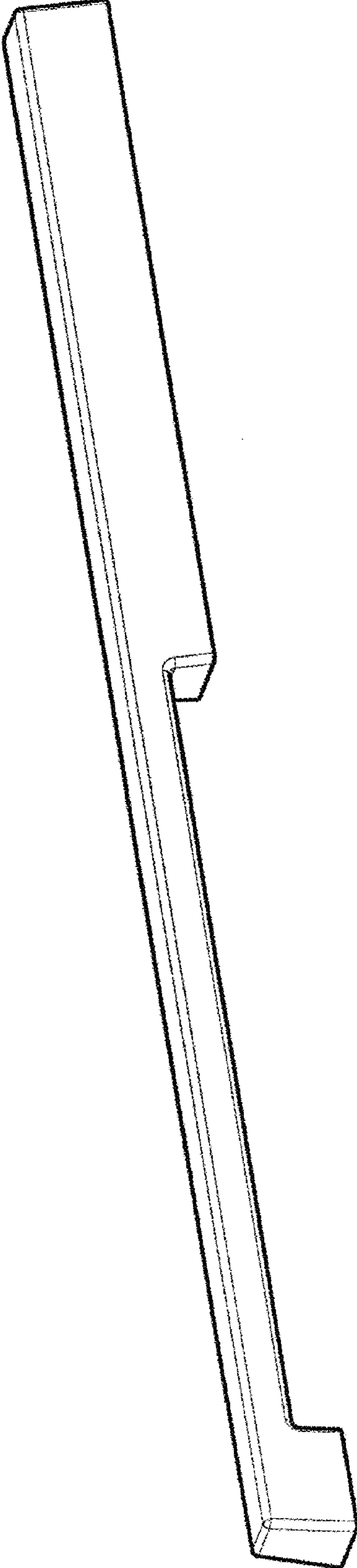


FIG. 1

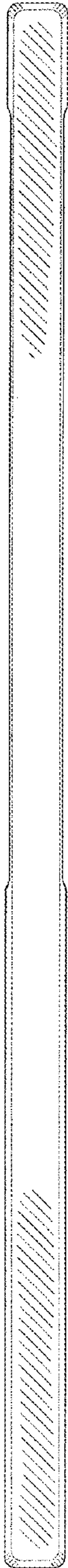


FIG. 2

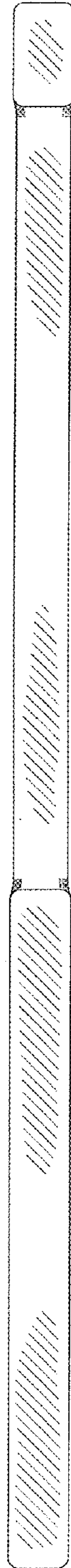


FIG. 3

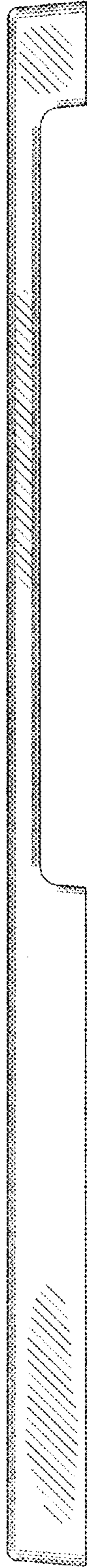


FIG. 4

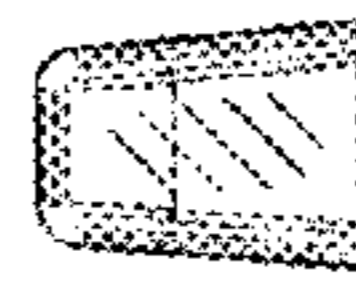


FIG. 5

UNITED STATES PATENT AND TRADEMARK OFFICE
CERTIFICATE OF CORRECTION

PATENT NO. : D773,919 S
APPLICATION NO. : 29/535852
DATED : December 13, 2016
INVENTOR(S) : Felice Carlino

Page 1 of 1

It is certified that error appears in the above-identified patent and that said Letters Patent is hereby corrected as shown below:

On the Title Page

Insert Item (30) as follows:

--(30) Foreign Priority Data: AU 201510719 Feb. 11, 2015--

Signed and Sealed this
Nineteenth Day of September, 2017



Joseph Matal
*Performing the Functions and Duties of the
Under Secretary of Commerce for Intellectual Property and
Director of the United States Patent and Trademark Office*