



US00D773918S

(12) **United States Design Patent** (10) **Patent No.:** **US D773,918 S**
Spencer et al. (45) **Date of Patent:** **** Dec. 13, 2016**

(54) **HANDLE FOR A DRAWER**

Y10S 16/12; Y10S 16/40; Y10S 16/24;
Y10S 16/19; Y10S 16/90

(71) Applicant: **Hewlett-Packard Development Company, L.P.**, Houston, TX (US)

See application file for complete search history.

(72) Inventors: **Stephen Spencer**, Houston, TX (US);
David A. Selvidge, Cypress, TX (US);
Belgie B. McClelland, Tomball, TX (US)

(56) **References Cited**

U.S. PATENT DOCUMENTS

D212,686 S * 11/1968 Fowler D8/313
D230,697 S * 3/1974 Sullivan D19/90
D246,949 S * 1/1978 Davis D8/300
4,484,788 A * 11/1984 L'Homme A47B 95/02
16/416
D458,528 S * 6/2002 Simon D8/300

(73) Assignee: **Hewlett Packard Enterprise Development LP**, Houston, TX (US)

(Continued)

(**) Term: **14 Years**

Primary Examiner — Derrick Holland

(21) Appl. No.: **29/507,762**

Assistant Examiner — Lauren Calve

(22) Filed: **Oct. 30, 2014**

(74) *Attorney, Agent, or Firm* — International IP Law Group, PLLC

(51) **LOC (10) Cl.** **08-06**

(52) **U.S. Cl.**
USPC **D8/313**

(57) **CLAIM**

The ornamental design for a handle for a drawer, as shown and described.

(58) **Field of Classification Search**

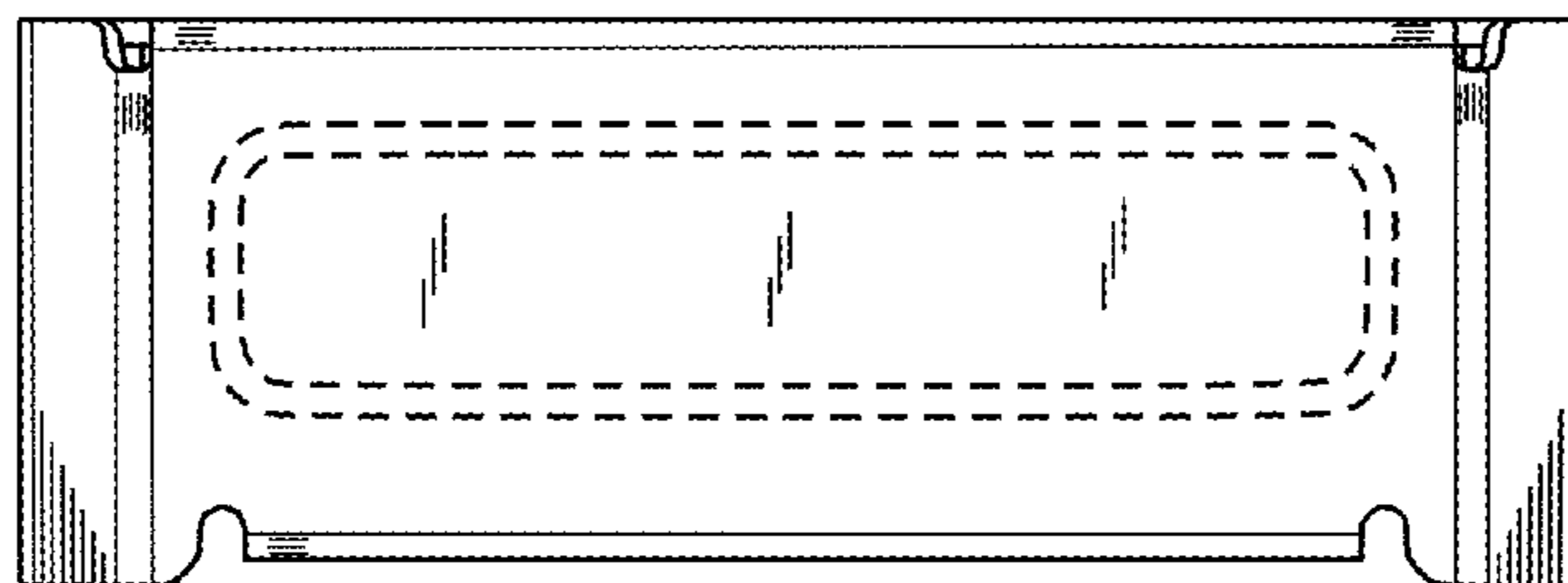
DESCRIPTION

USPC D8/107, 300, 303, 311, 313, 314, 315,
D8/321, 322; 16/110.1, 114.1, 405, 406,
16/411, 415, 416, 419, 422, 423, 424,
16/426, 427, 429, 430; D7/393, 394, 548;
292/336.3
CPC Y10T 16/469; Y10T 16/44; Y10T 16/476;
Y10T 16/473; Y10T 16/4713; Y10T
16/498; Y10T 16/509; Y10T
16/455; Y10T 16/4554; Y10T 16/4719;
Y10T 16/4559; Y10T 16/513; Y10T
16/4707; Y10T 16/4576; Y10T 16/4644;
Y10T 16/4696; Y10T 16/4628; Y10T
74/20732; Y10T 74/20828; Y10T 292/57;
Y10T 16/459; Y10T 16/4701; Y10T
74/20864; Y10T 74/20876; Y10T 408/96;
Y10T 137/6024; Y10T 74/20612; Y10T
74/2087; B25G 1/102; B25G 1/00; B25G
1/10; B25G 3/18; B25G 3/00; B25G 3/38;

FIG. 1 is a front view of a handle for a drawer;
FIG. 2 is a top view of the handle for a drawer;
FIG. 3 is a bottom view of the handle for a drawer;
FIG. 4 is a front perspective view of the handle for a drawer;
FIG. 5 is a rear perspective view of the handle for a drawer;
FIG. 6 is a front perspective view of the handle for a drawer shown in environmental use;
FIG. 7 is a front perspective view of the handle for a drawer in an alternate position shown in environmental use; and,
FIG. 8 is a front perspective view of the handle for a drawer in an alternate position shown in a second environmental use.

The broken lines shown represent unclaimed subject matter and form no part of the claimed design.

1 Claim, 8 Drawing Sheets



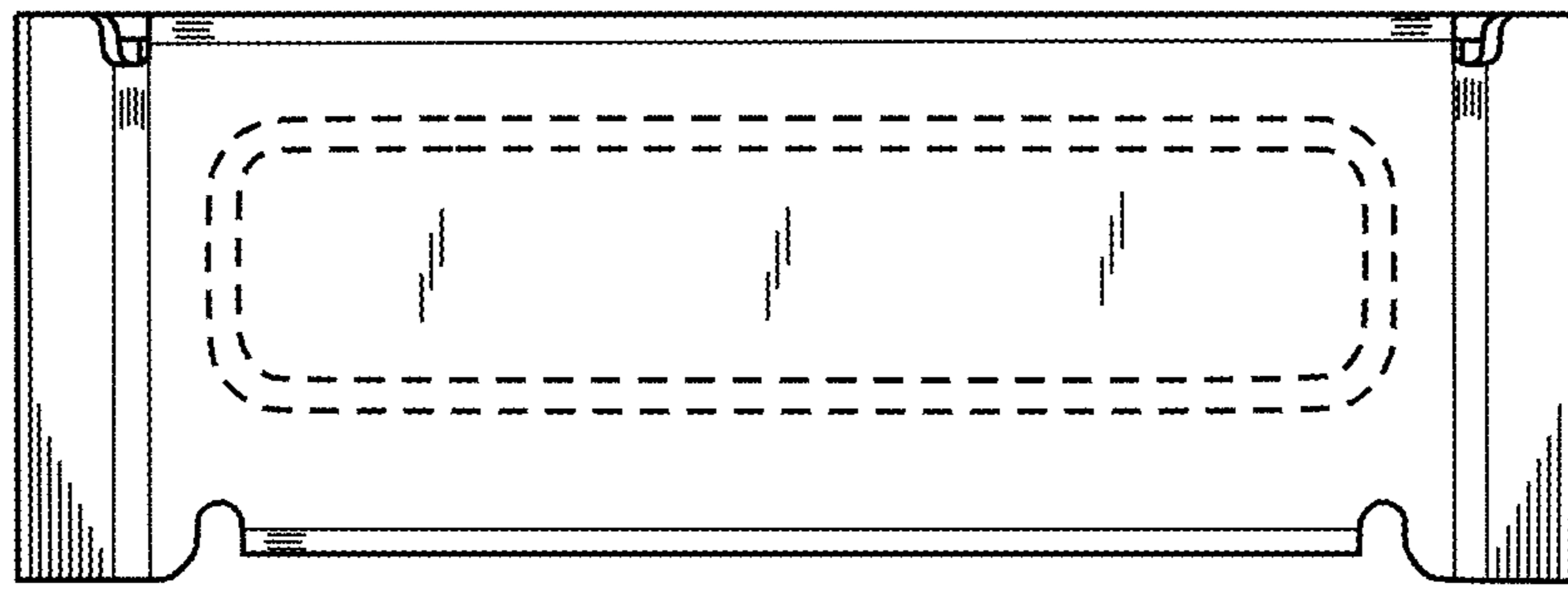
(56)

References Cited

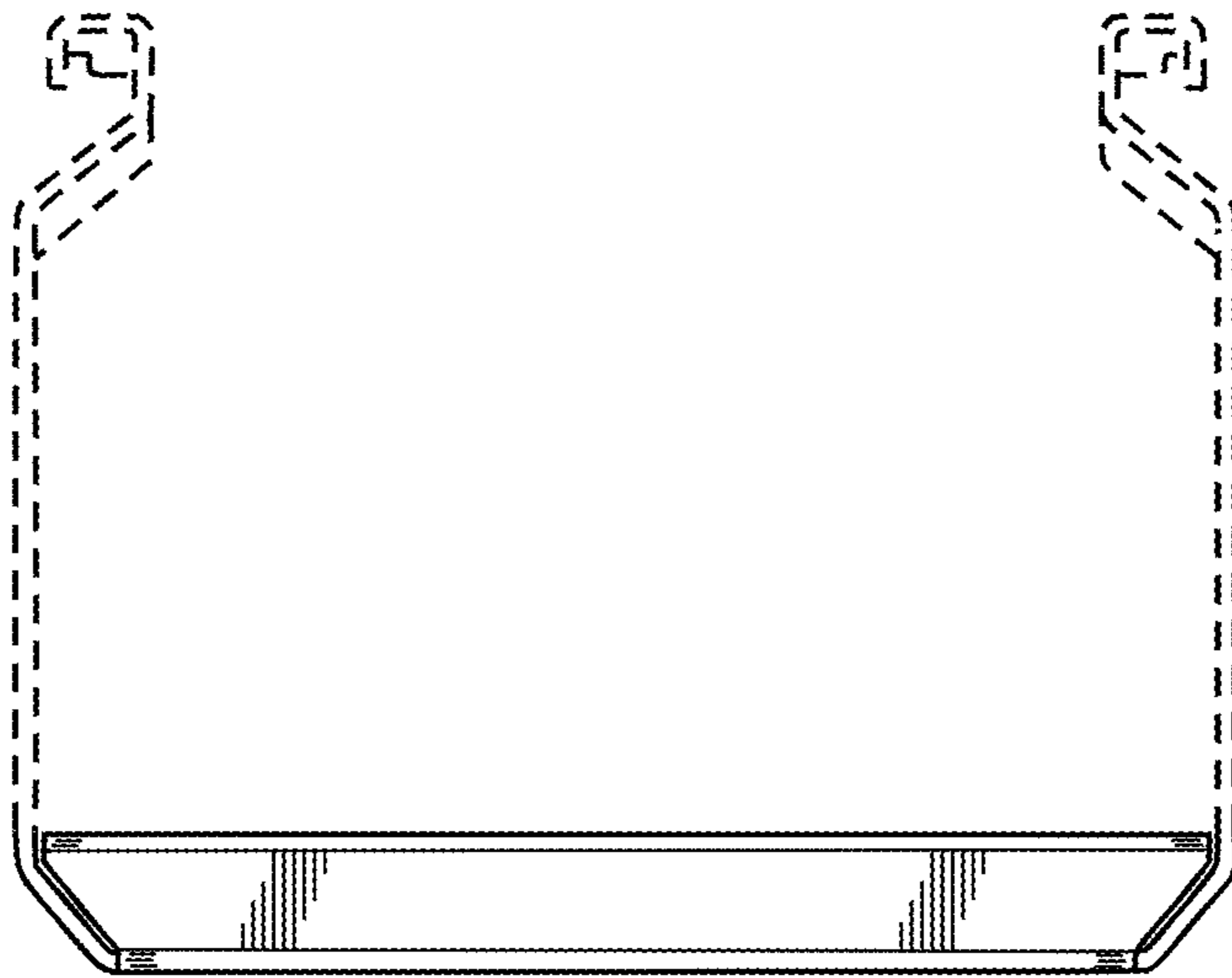
U.S. PATENT DOCUMENTS

7,090,426 B2 * 8/2006 Wing E05B 1/0015
24/293
D549,072 S * 8/2007 Davidson D8/302
D581,769 S * 12/2008 Mattson D8/307
D583,213 S * 12/2008 Kubota D15/89
D597,394 S * 8/2009 Menzies D8/313
D604,141 S * 11/2009 Reed D8/313
D616,721 S * 6/2010 Glass D8/313
D673,834 S * 1/2013 Boland D8/313
8,505,702 B2 * 8/2013 Scicluna A45C 13/02
16/114.1
2007/0220797 A1 * 9/2007 Antal A47G 23/0633
40/658
2012/0097594 A1 * 4/2012 Bruce B01D 24/24
210/238

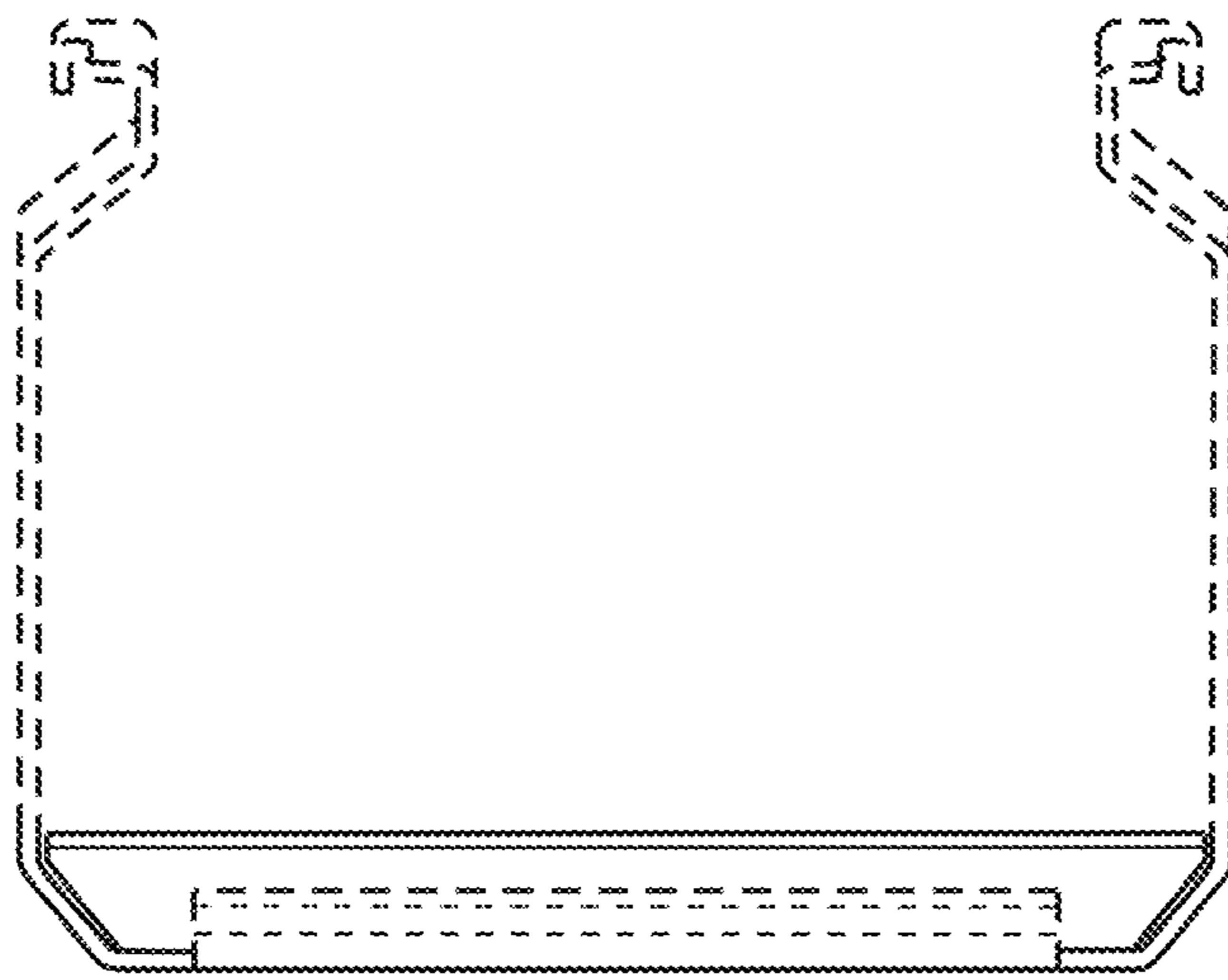
* cited by examiner



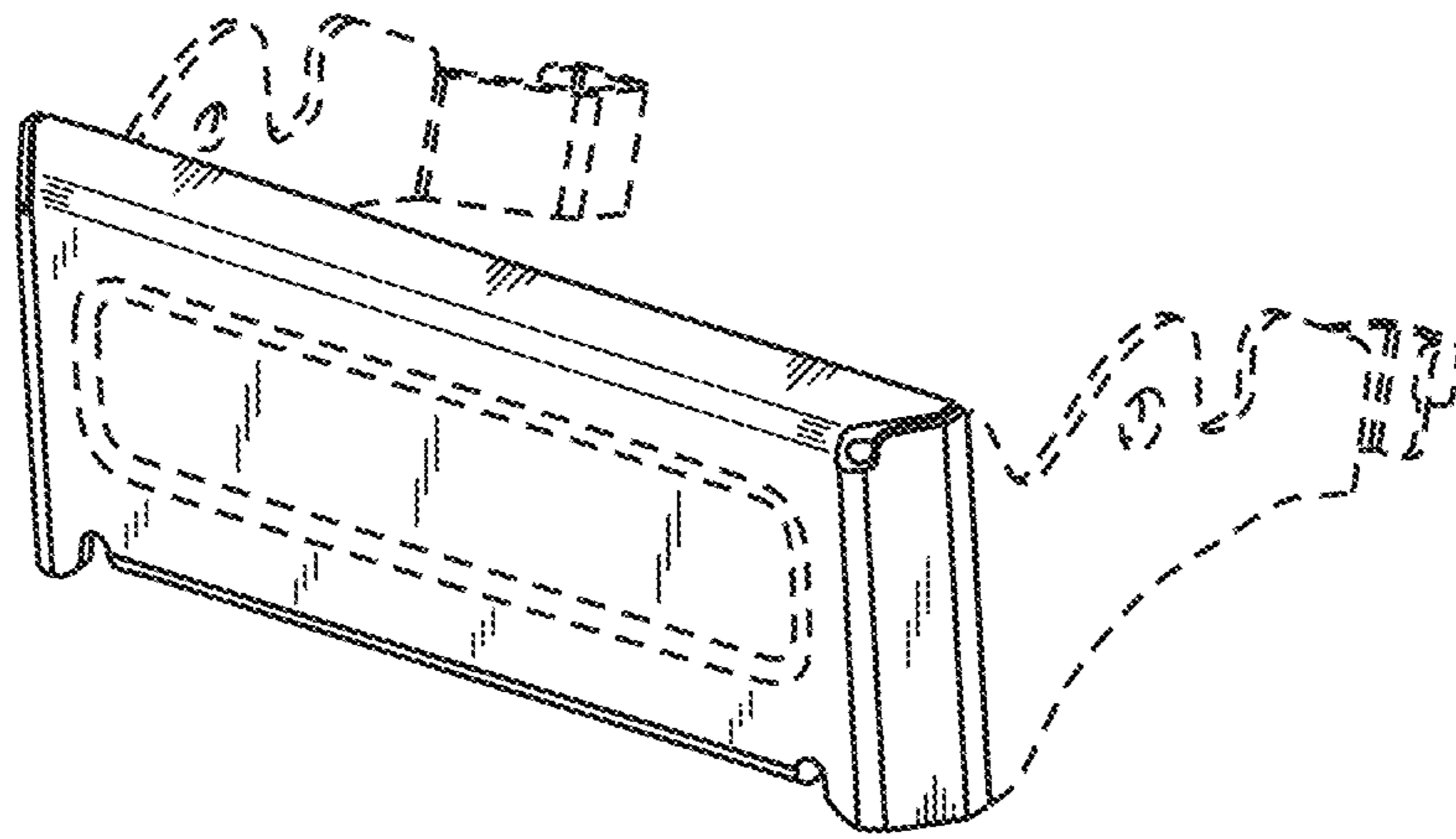
100
FIG. 1



200
FIG. 2

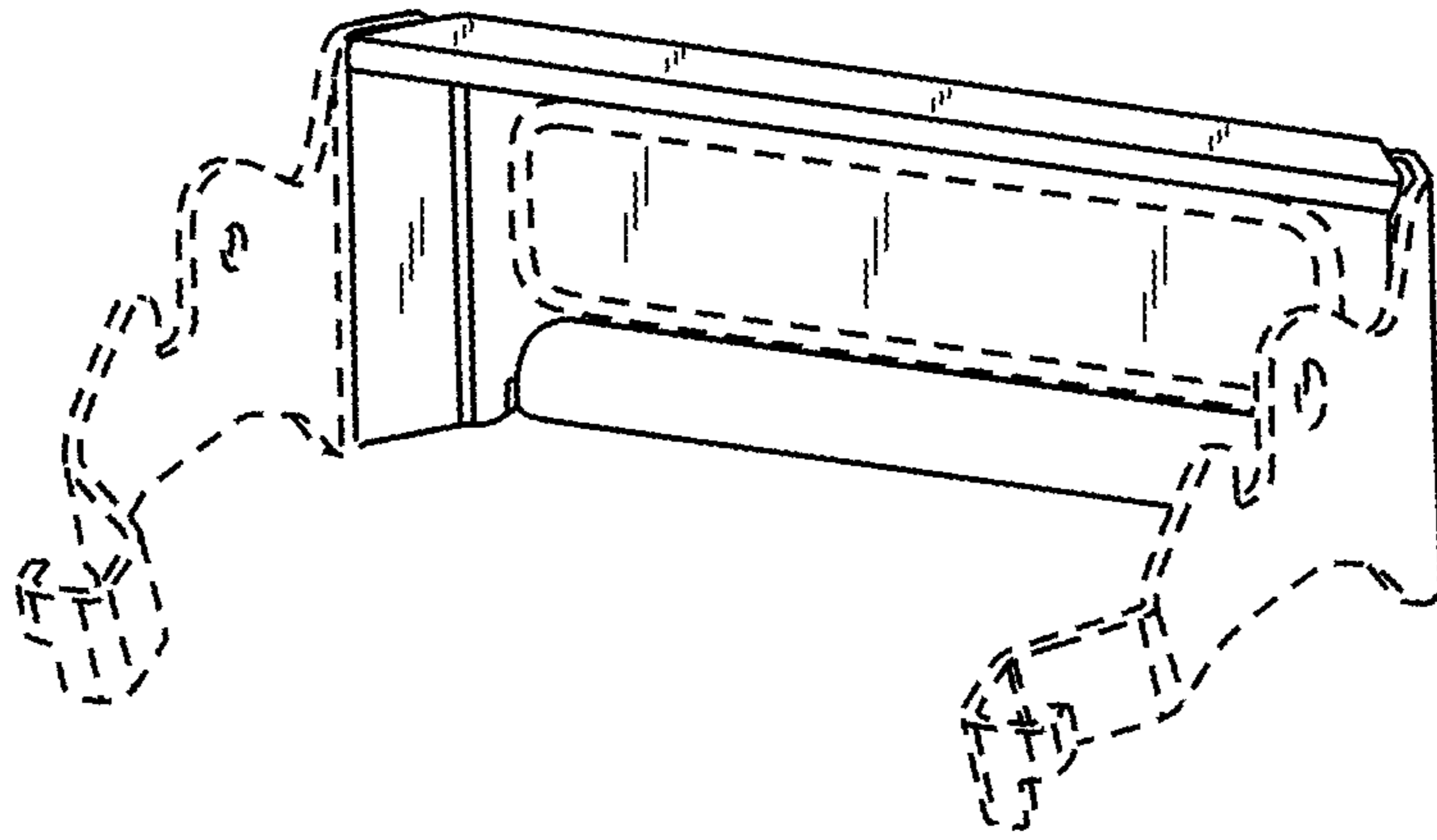


300
FIG. 3



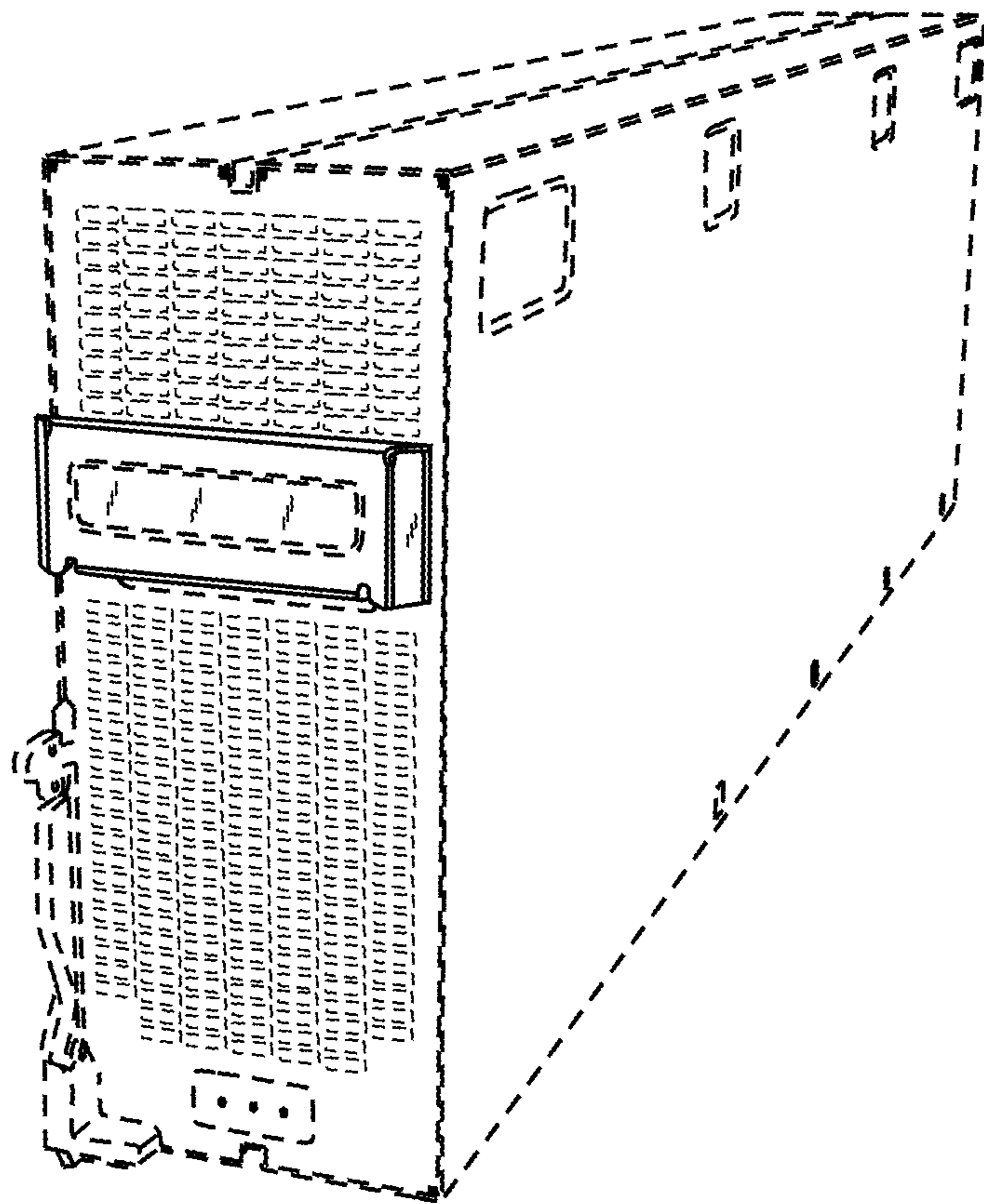
400

FIG. 4



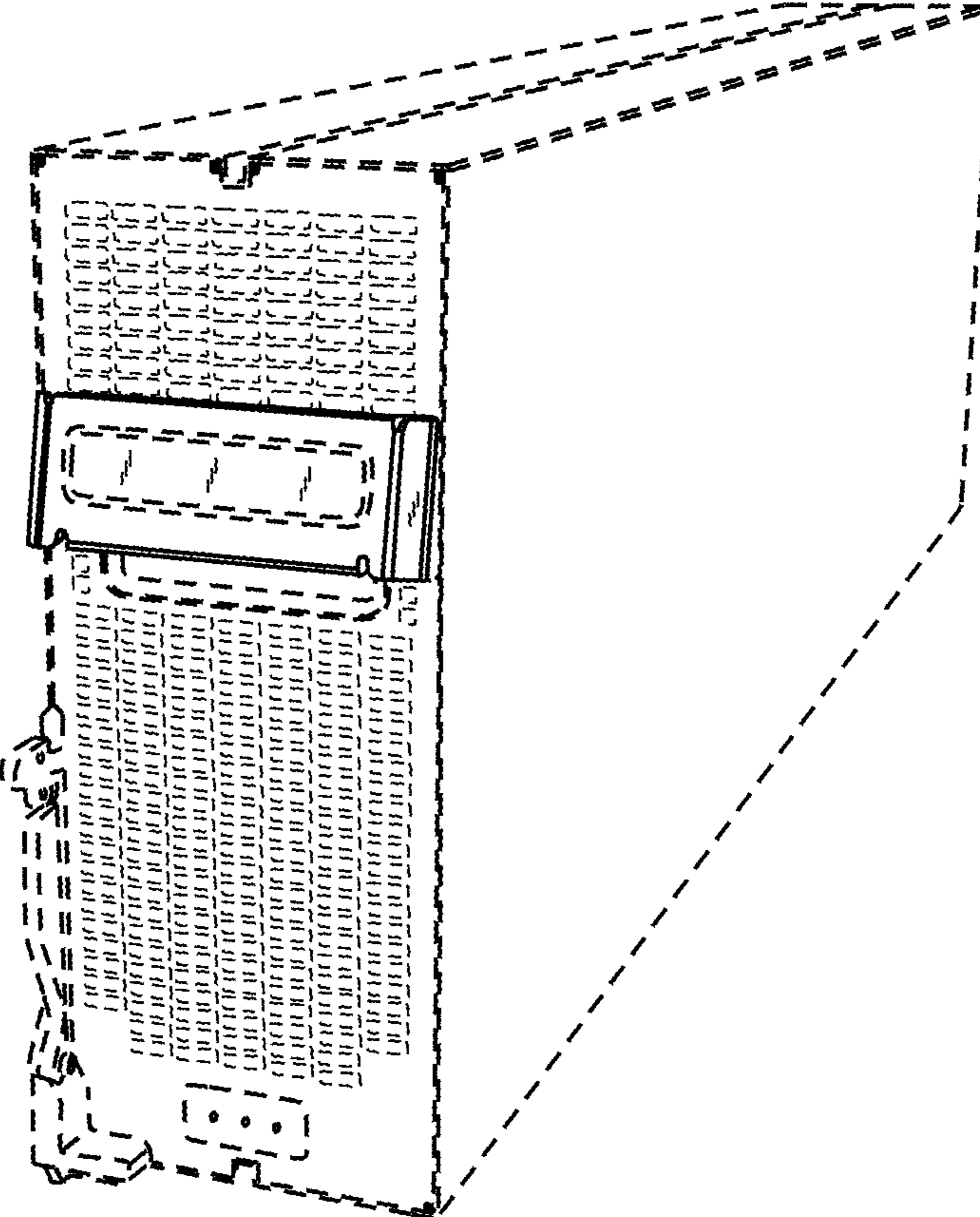
500

FIG. 5

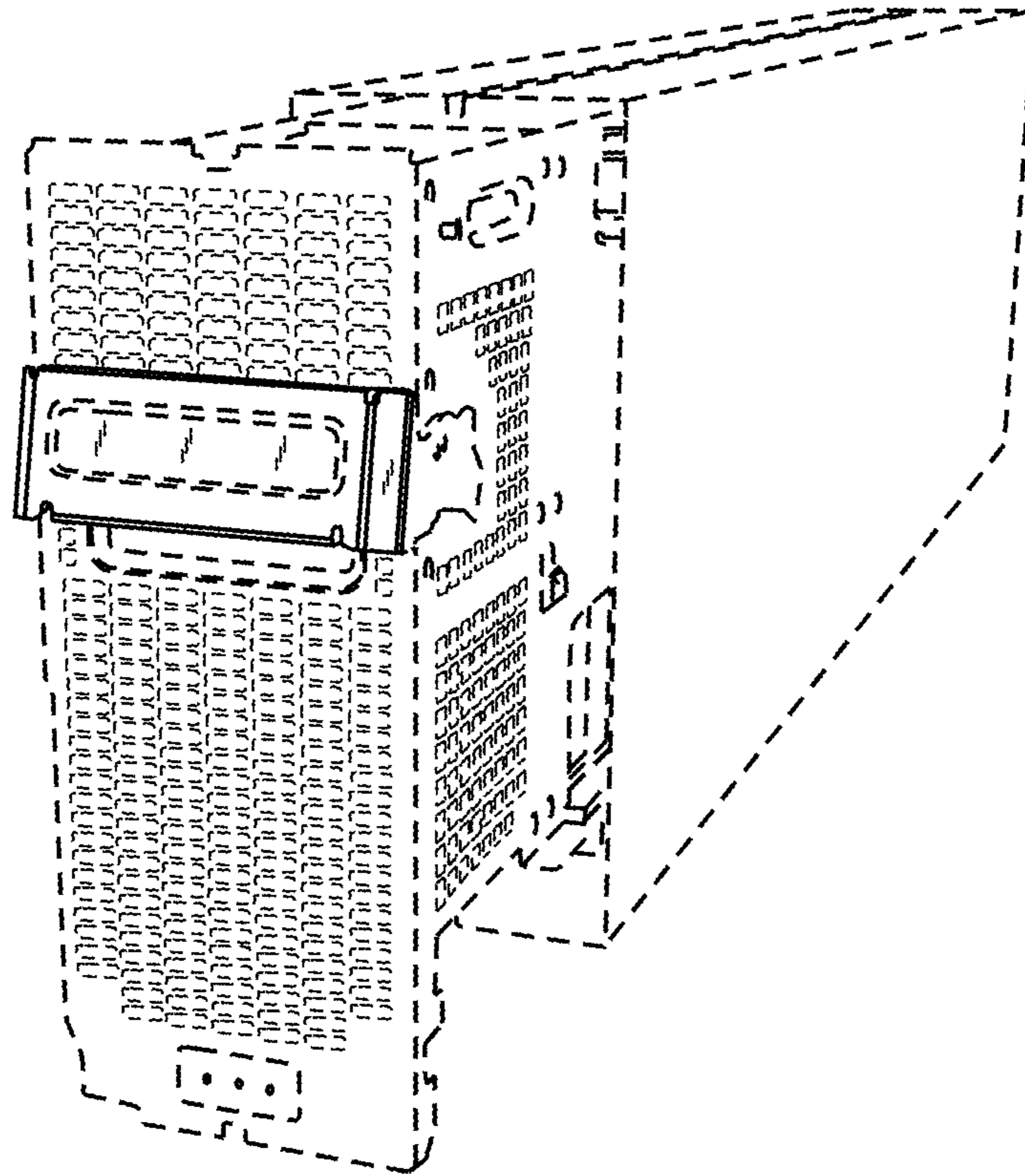


600

FIG. 6



700
FIG. 7



800

FIG. 8