



US00D773917S

(12) **United States Design Patent** (10) **Patent No.:** **US D773,917 S**
Shoemaker et al. (45) **Date of Patent:** **** *Dec. 13, 2016**

(54) **OVEN KNOB**

(56) **References Cited**

(71) Applicant: **Sears Brands, L.L.C.**, Hoffman Estates, IL (US)
(72) Inventors: **Anthony Shoemaker**, Bartlett, IL (US); **Jason Silverstein**, Hoffman Estates, IL (US); **Daniel Green**, Charlotte, NC (US); **Roddy Burgess**, Charlotte, NC (US)

U.S. PATENT DOCUMENTS

D166,874	S	*	5/1952	Reed	G05G 1/082
						74/553
3,301,212	A	*	1/1967	Foster	G05G 1/10
						116/312
D207,489	S	*	4/1967	Collins	D8/311
D208,918	S	*	10/1967	Dole	D8/311
D400,778	S	*	11/1998	Holbrook, Jr.	D8/311
D525,518	S	*	7/2006	Baldwin	D8/310
7,171,727	B2	*	2/2007	Wylie	F24C 7/082
						16/441
D543,828	S	*	6/2007	Strutin-Belinoff	D8/310
D559,206	S	*	1/2008	Neveu	D13/174
D567,060	S	*	4/2008	Busalt	D8/310
D612,704	S	*	3/2010	Funnell	D8/310
D634,156	S	*	3/2011	Fuller	D7/393
D634,602	S	*	3/2011	Bengtson	D8/311
D637,886	S	*	5/2011	Bengtson	D8/311
D703,998	S	*	5/2014	Funnell, II	D8/311
D704,028	S	*	5/2014	Meda	D7/393
D710,673	S	*	8/2014	Boo	D8/310
D722,815	S	*	2/2015	Fuller	G05G 1/08
						74/553
D726,524	S	*	4/2015	Borjesson	D7/393
2014/0260775	A1	*	9/2014	Freeman	G05G 1/08
						D8/311
2015/0370283	A1	*	12/2015	Lawson	G05G 1/082
						D8/311

(73) Assignee: **SEARS BRANDS, L.L.C.**, Hoffman Estates, IL (US)

(*) Notice: This patent is subject to a terminal disclaimer.

(**) Term: **15 Years**

(21) Appl. No.: **29/528,339**

(22) Filed: **May 28, 2015**

(51) **LOC (10) Cl.** **08-06**

(52) **U.S. Cl.**
USPC **D8/311**

(58) **Field of Classification Search**
USPC D8/107, 300, 301, 307, 310, 311, 312; D10/102; D23/250, 421; 74/553, 554, 74/555, 556, 558, 543; D7/393, 394, D7/396, 543, 545, 547, 548; 16/110.1, 16/422, 426, 430, 443
CPC Y10T 292/57; Y10T 292/82; Y10T 16/469; Y10T 16/44; Y10T 16/476; Y10T 74/2084; Y10T 292/85; Y10T 74/2087; Y10T 16/4713; Y10T 16/506; Y10T 74/20876; Y10T 74/20612; Y10T 70/5765; Y10T 16/459; Y10T 74/2066; Y10T 16/487; Y10T 74/20822

See application file for complete search history.

* cited by examiner
Primary Examiner — Derrick Holland
Assistant Examiner — Lauren Calve
(74) *Attorney, Agent, or Firm* — McAndrews, Held & Malloy, Ltd.

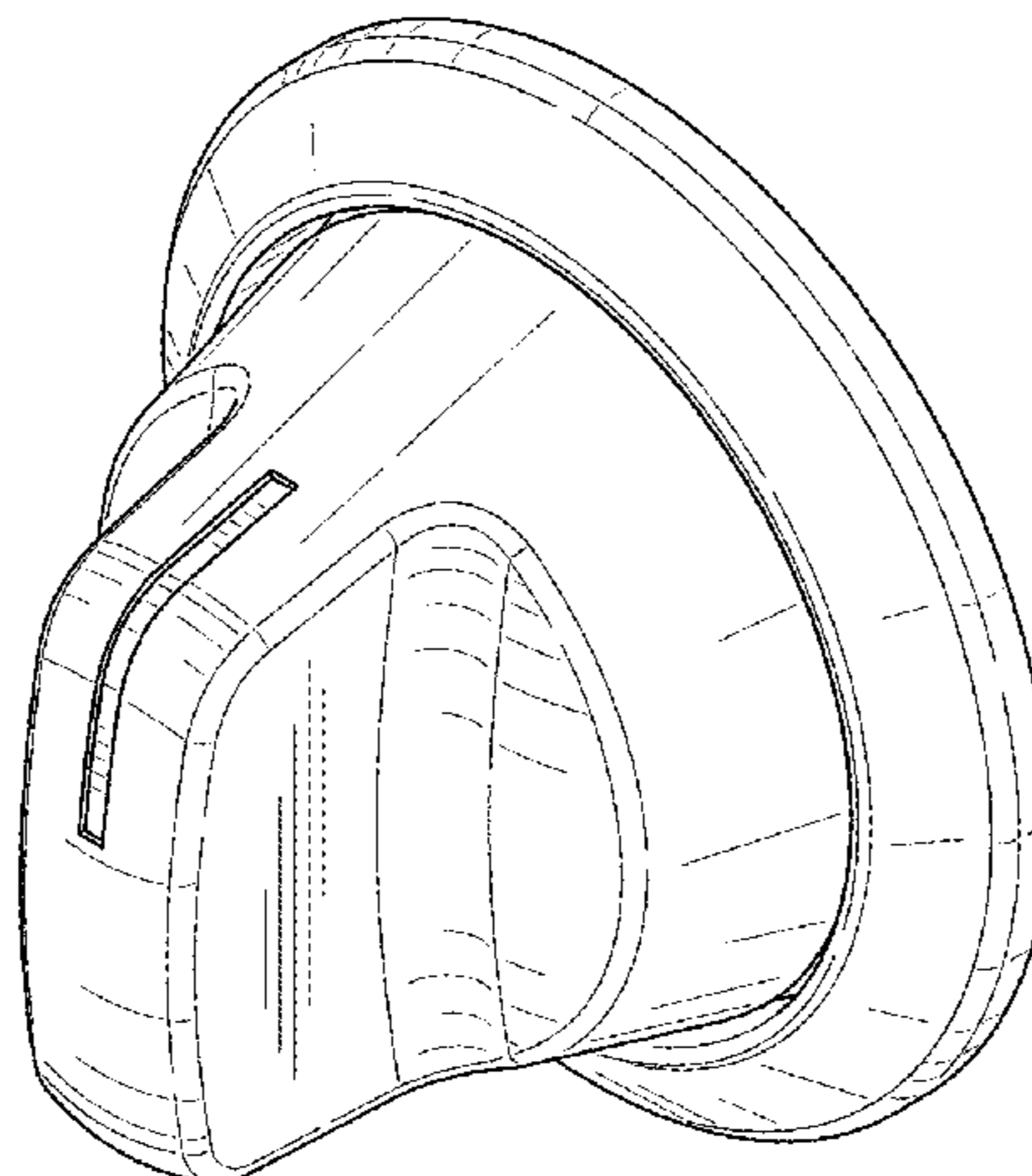
(57) **CLAIM**

The ornamental design for an oven knob, as shown and described.

DESCRIPTION

FIG. 1 is a top right front perspective view of an oven knob showing our new design;
FIG. 2 is a front view thereof;
FIG. 3 is a right-side elevation view thereof;
FIG. 4 is a left-side elevation view thereof;
FIG. 5 is a top plan view thereof; and,
FIG. 6 is a bottom plan view thereof.

1 Claim, 4 Drawing Sheets



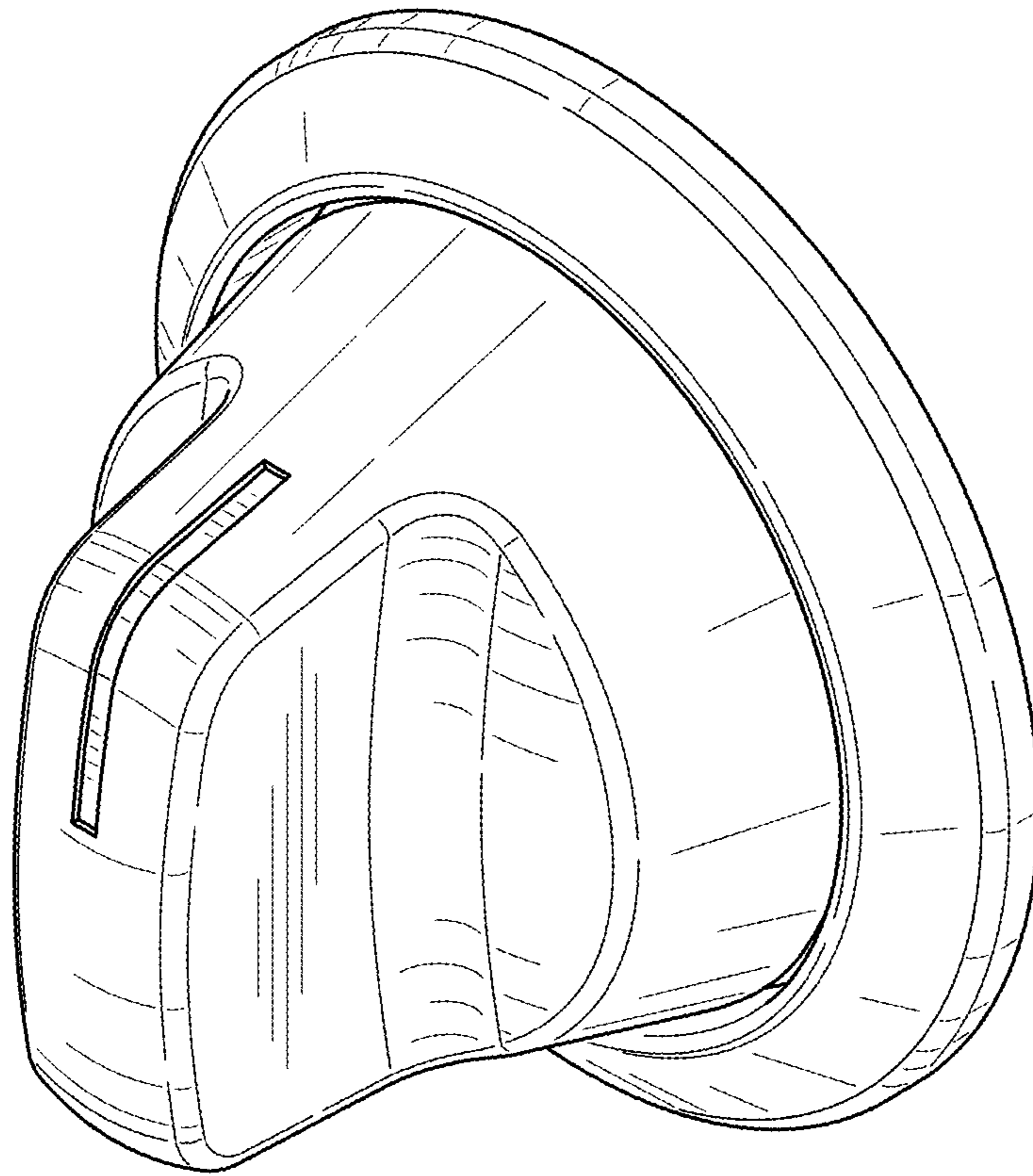


FIG. 1

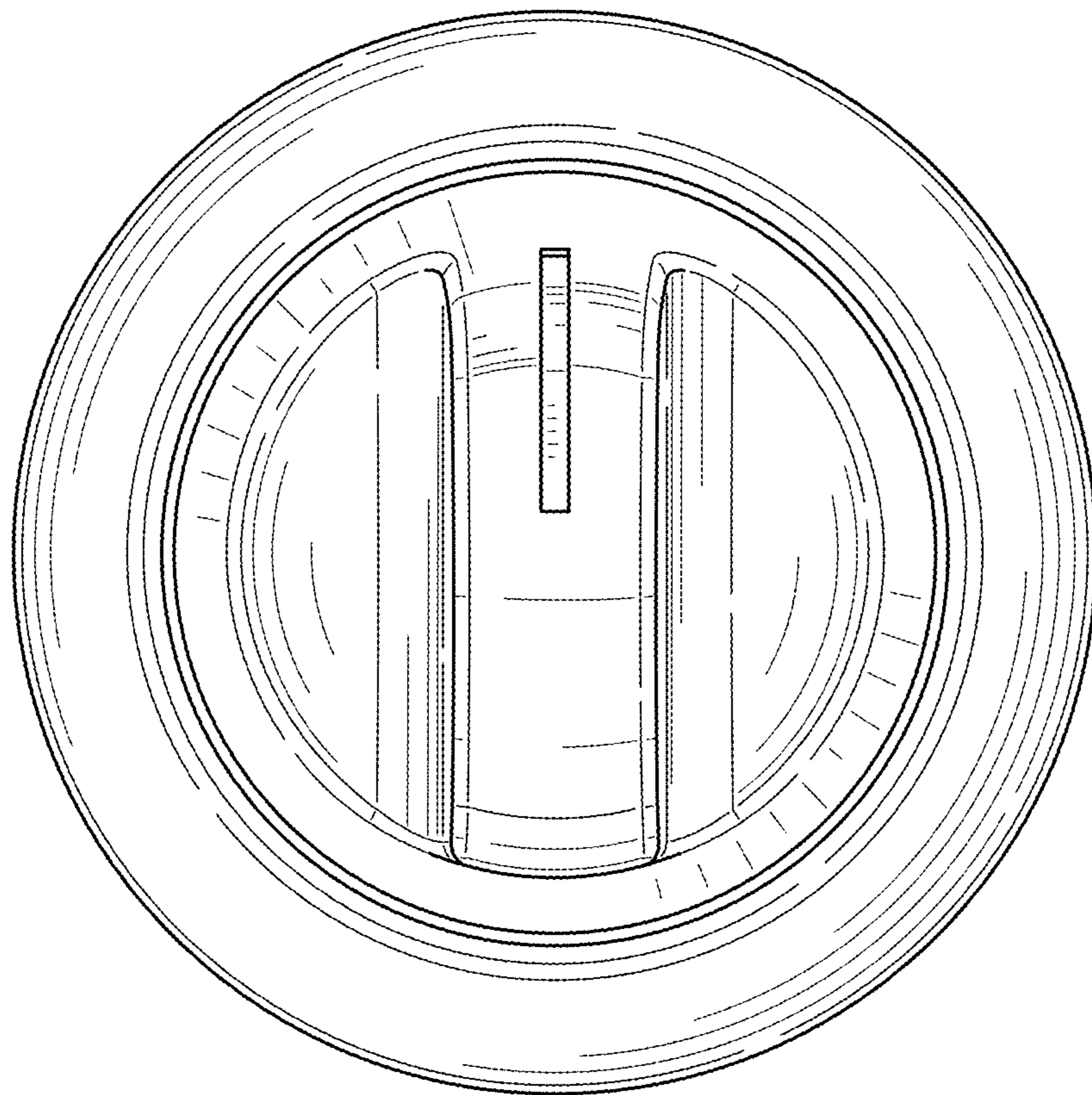


FIG. 2

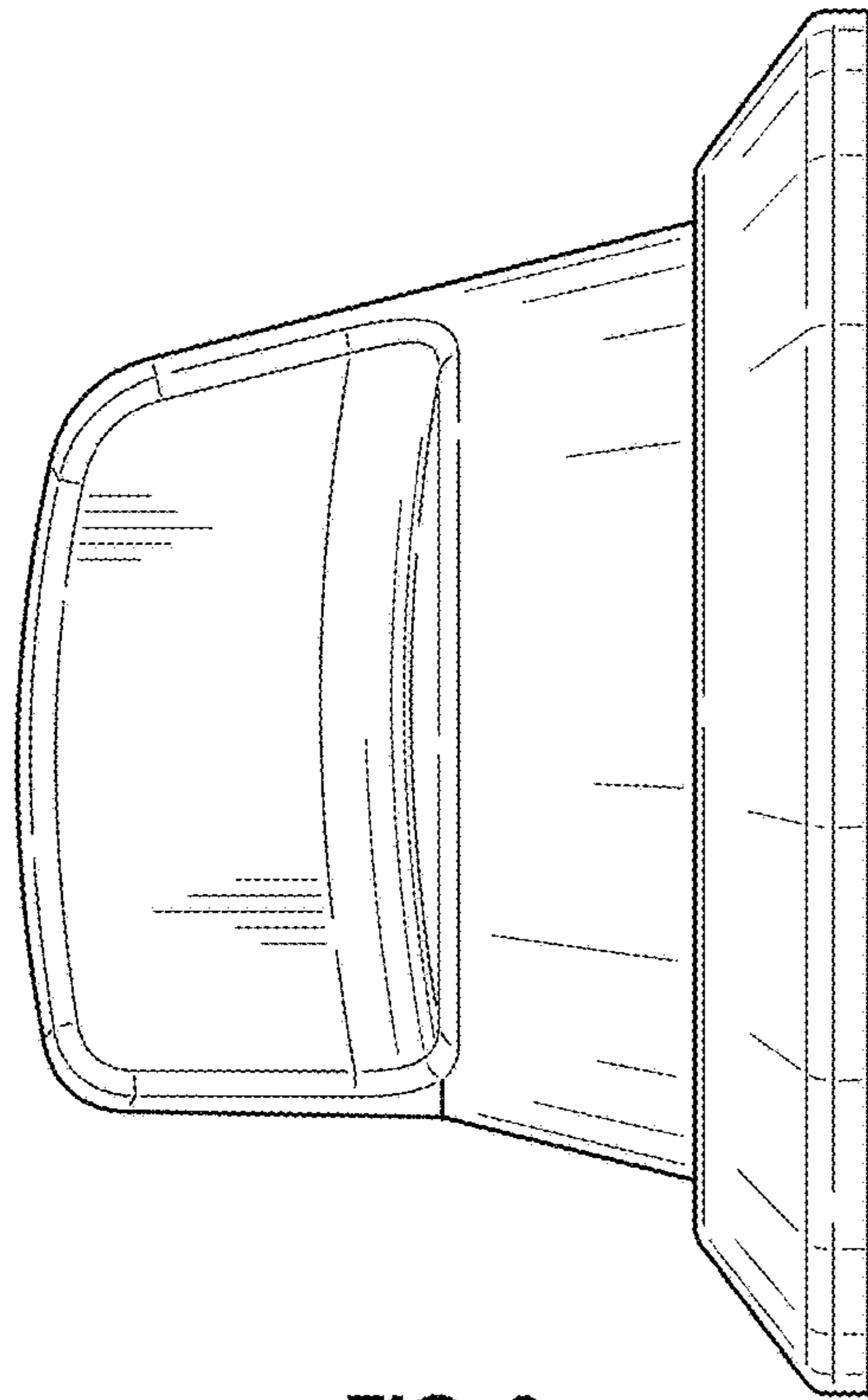


FIG. 3

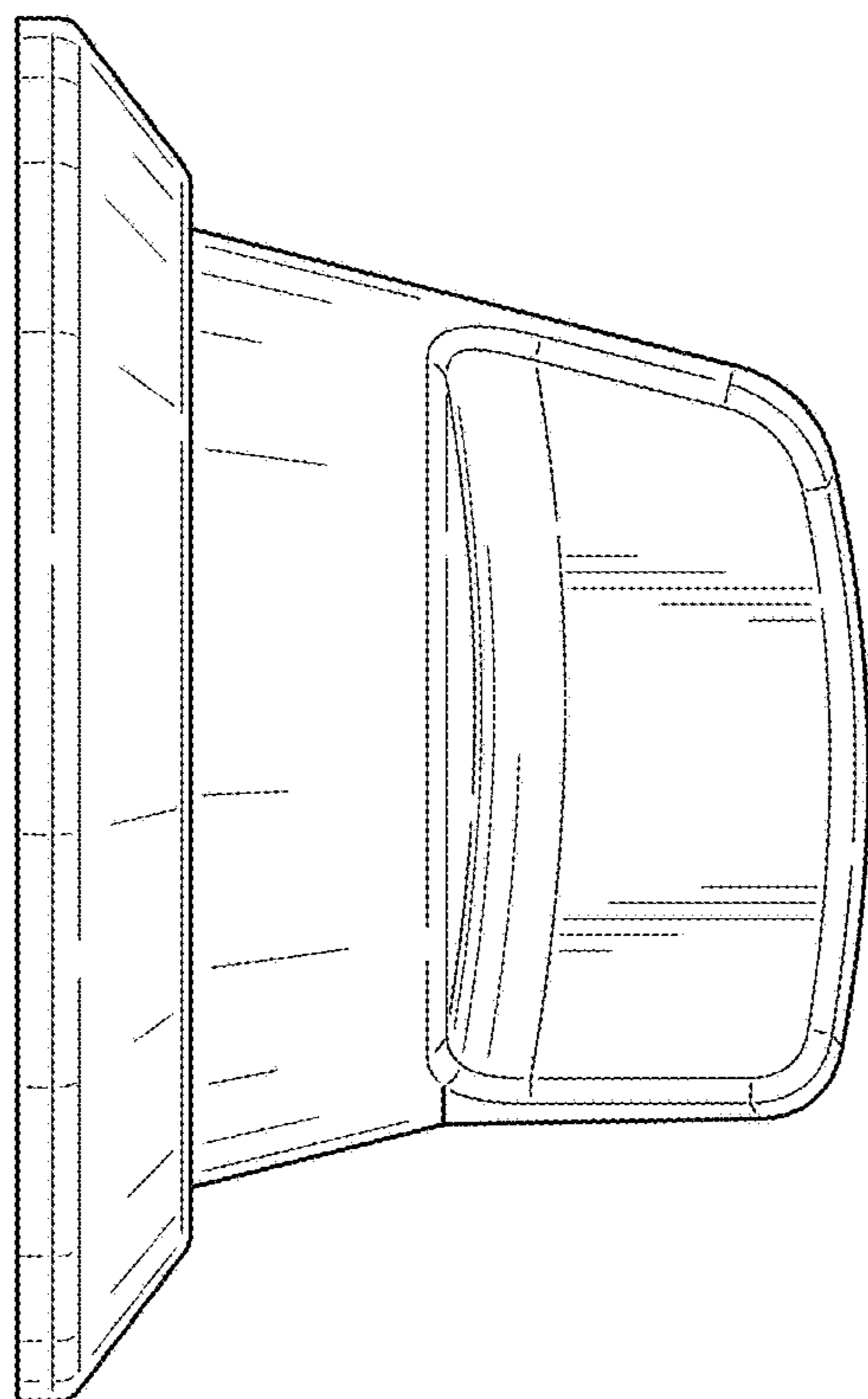


FIG. 4

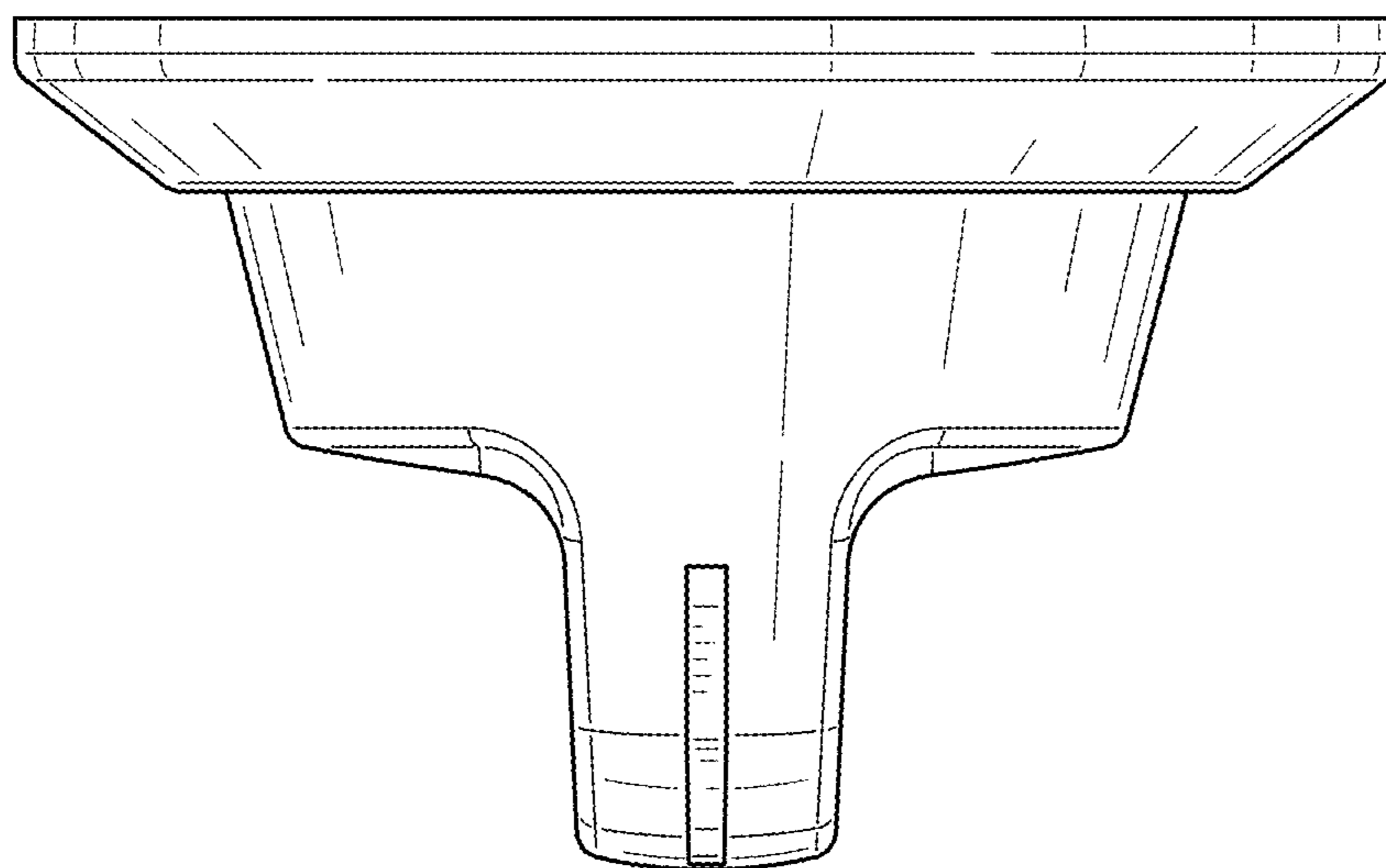


FIG. 5

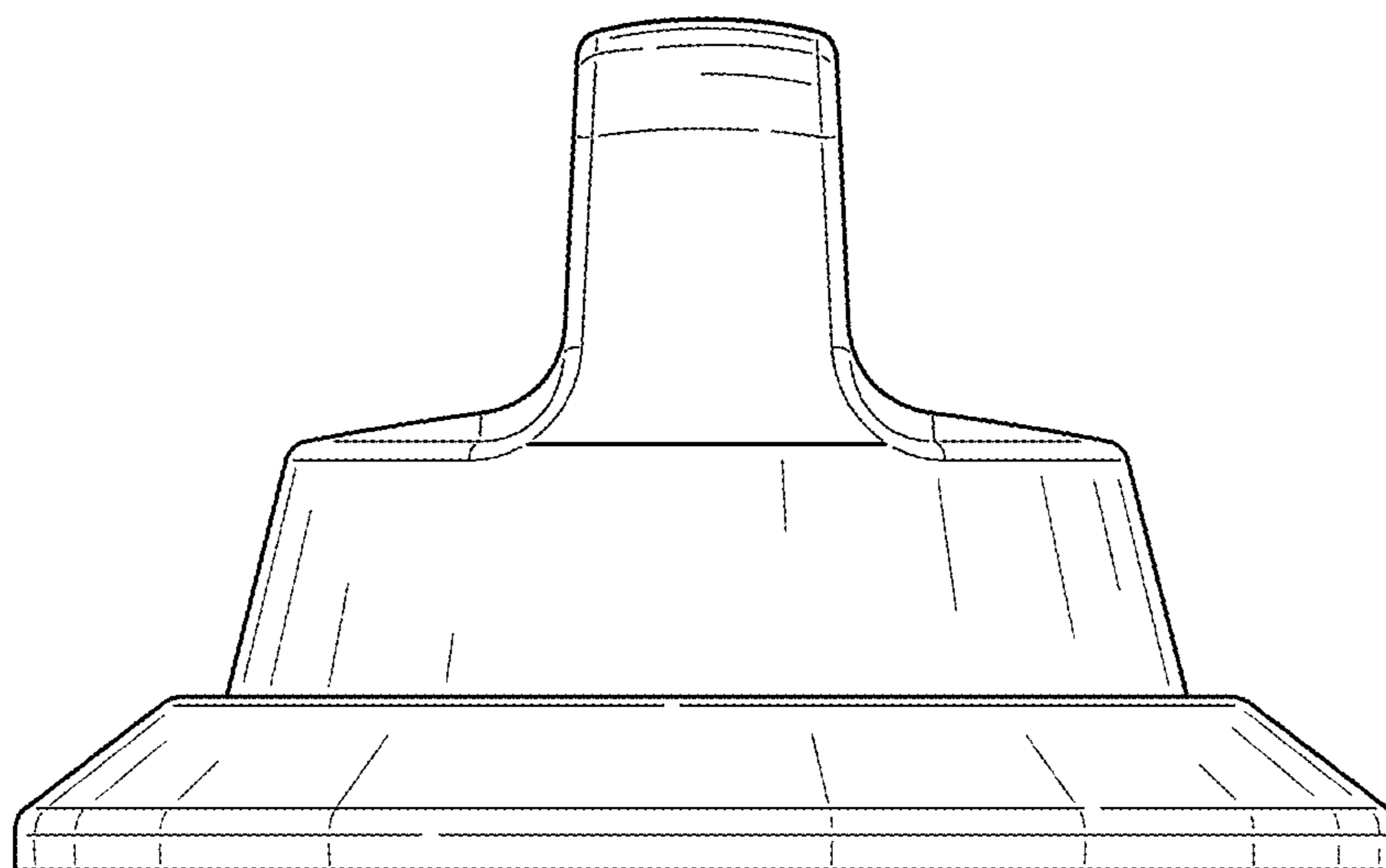


FIG. 6