



US00D773914S

(12) **United States Design Patent** (10) **Patent No.:** **US D773,914 S**
Aispuro (45) **Date of Patent:** **** Dec. 13, 2016**

(54) **PADLOCKABLE L-HANDLE**
(71) Applicant: **S.P.E.P. ACQUISITION CORP.**, Long Beach, CA (US)
(72) Inventor: **Tomas Aispuro**, Bellflower, CA (US)
(73) Assignee: **S.P.E.P. ACQUISITION CORP.**, Long Beach, CA (US)
(**) Term: **14 Years**
(21) Appl. No.: **29/526,299**
(22) Filed: **May 7, 2015**
(51) **LOC (10) Cl.** **08-06**
(52) **U.S. Cl.**
USPC **D8/301**
(58) **Field of Classification Search**
USPC D8/300-302, 307-309, 310, 311, D8/DIG. 10; D23/254; 292/336.3, 347; 74/523, 543; 70/192, 201, 206, 207; 16/110.1, 412, 16/416, 430, DIG. 30
CPC Y10T 16/44; Y10T 74/20612; Y10T 74/20732; Y10T 16/458; Y10T 16/498; Y10T 16/469; Y10T 16/476; Y10T 74/20744; Y10T 74/20864; Y10T 16/4628; Y10T 74/20642; Y10T 16/473; Y10T 74/20762; Y10T 74/2042; Y10T 74/20828; Y10T 16/459; Y10T 16/4713; Y10T 74/2014; Y10T 16/50; Y10T 74/20438; Y10T 74/20582; Y10T 74/20738; Y10T 16/48; Y10T 74/20618; Y10T 74/20684; Y10T 74/20624; Y10T 74/20468; Y10T 16/61; Y10T 16/4719; Y10T 16/86; Y10T 16/30; Y10S 16/30; Y10S 292/31; Y10S 292/53; Y10S 16/12; Y10S 292/23; Y10S 292/27; Y10S 292/30; Y10S 292/63; E05B 85/16; E05B 1/0015; E05B 77/06; E05B 79/06; E05B 85/18; E05B 85/12; E05B 85/10; E05B 7/00; E05B 1/0053; E05B 77/265
See application file for complete search history.

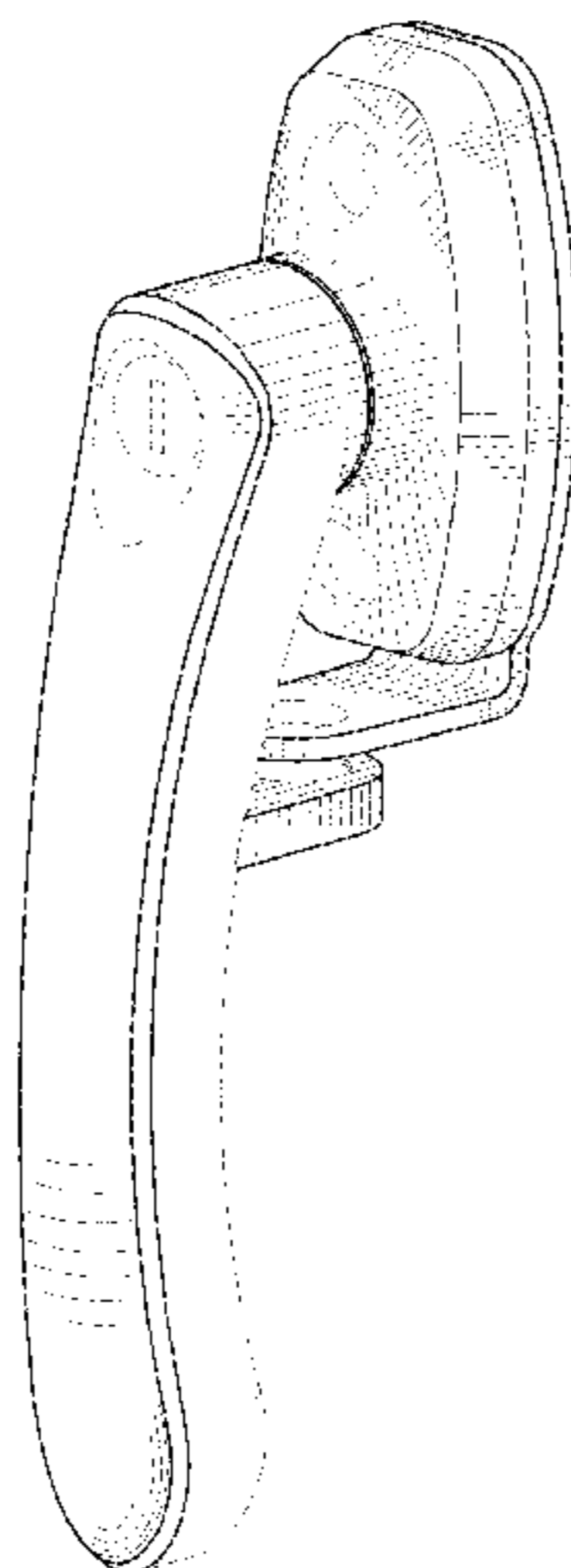
(56) **References Cited**
U.S. PATENT DOCUMENTS
2,605,648 A * 8/1952 Sanderlin E06B 7/084
292/336.3
D369,964 S * 5/1996 Decursu D8/302
D444,694 S * 7/2001 Alvarado D8/301
6,546,765 B1 * 4/2003 Linares E05B 13/108
16/412
D492,570 S * 7/2004 Linares D8/308
D529,783 S * 10/2006 Corcino D8/301
D557,585 S * 12/2007 Linares D8/308
D585,721 S * 2/2009 Le D8/302
D587,091 S * 2/2009 Chen D8/308
D691,451 S * 10/2013 Weathersby D8/302
(Continued)

Primary Examiner — Derrick Holland
Assistant Examiner — Lauren Calve
(74) *Attorney, Agent, or Firm* — Karish & Bjorgum, PC

(57) **CLAIM**
The ornamental design for a padlockable L-handle, as shown and described.

DESCRIPTION
FIG. 1 is a front isometric view of a padlockable L-handle of the invention.
FIG. 2 is a front view of the padlockable L-handle of FIG. 1.
FIG. 3 is a right side view of the padlockable L-handle of FIG. 1.
FIG. 4 is a left side view of the padlockable L-handle of FIG. 1.
FIG. 5 is a top view of the padlockable L-handle of FIG. 1; and,
FIG. 6 is a bottom view of the padlockable L-handle of FIG. 1.
The broken lines shown represent unclaimed subject matter and form no part of the claimed design.

1 Claim, 5 Drawing Sheets



(56)

References Cited

U.S. PATENT DOCUMENTS

D691,452 S * 10/2013 Weathersby D8/302
D708,039 S * 7/2014 Aispuro D8/301
D740,395 S * 10/2015 Flowers D23/252
D740,642 S * 10/2015 Carlsson D8/301
2008/0088140 A1* 4/2008 Huang E05B 1/003
292/347
2010/0013247 A1* 1/2010 Kuchas E05B 5/00
292/336.3
2014/0001779 A1* 1/2014 Bedoian E05B 1/003
292/336.3
2016/0053522 A1* 2/2016 Ou E05B 63/006
292/336.3

* cited by examiner

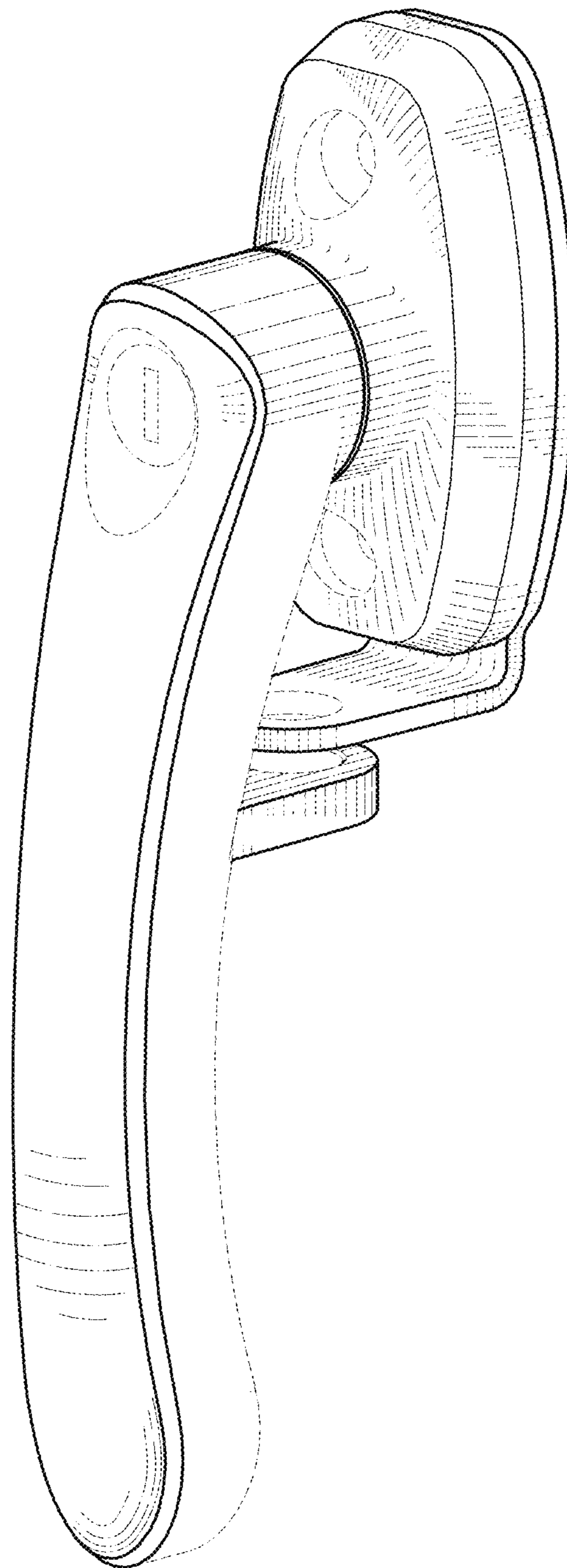


Fig. 1

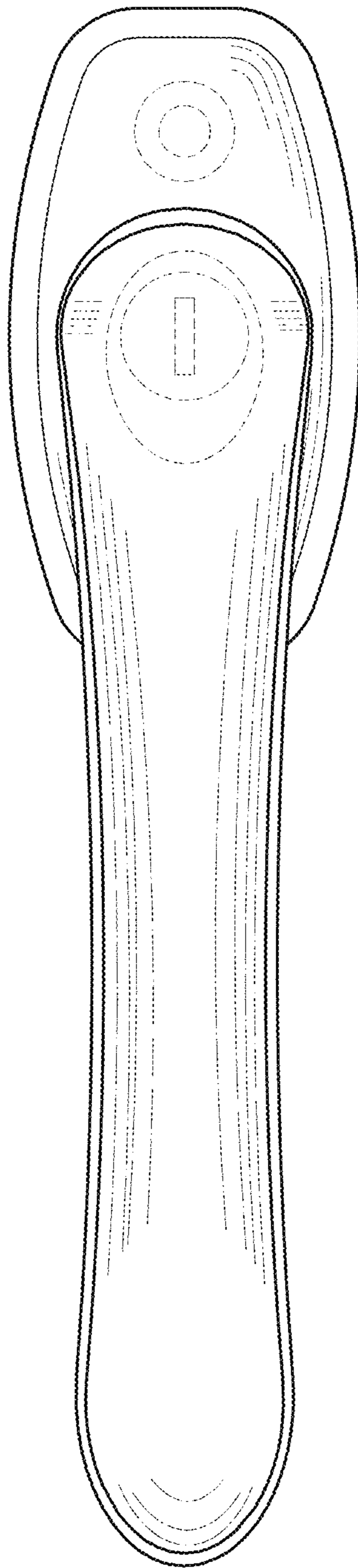


Fig. 2

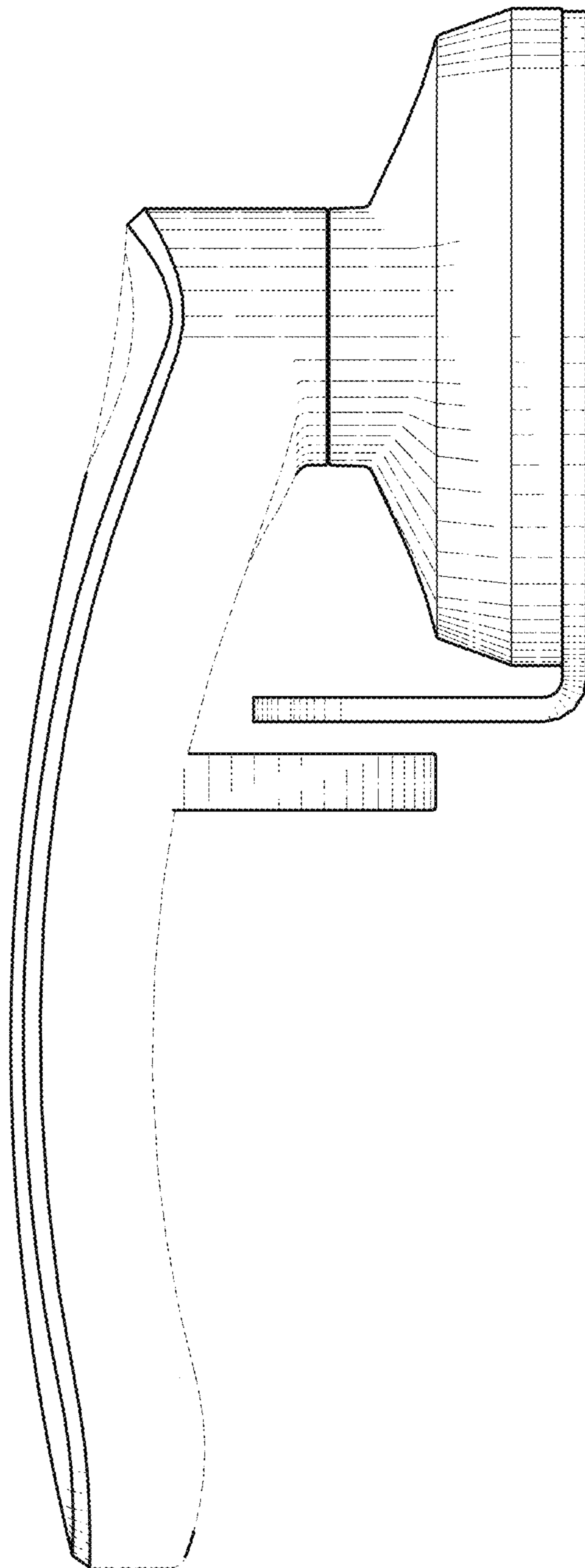


Fig. 3

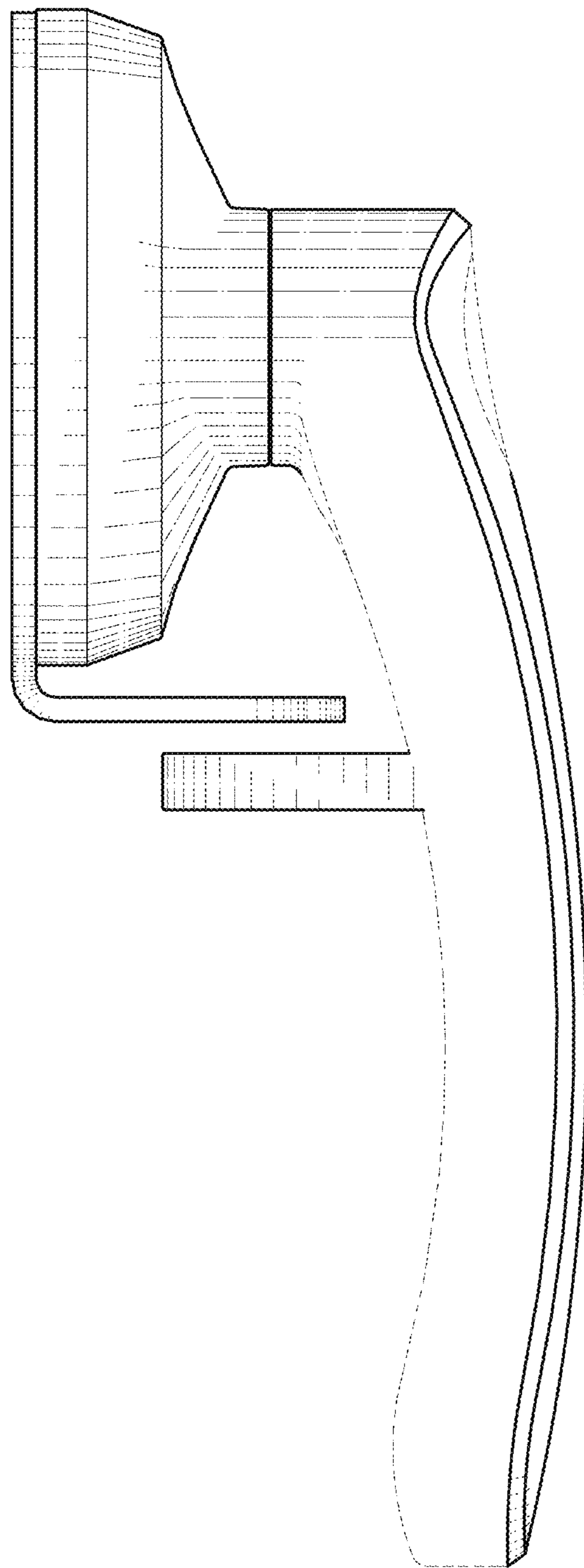


Fig. 4

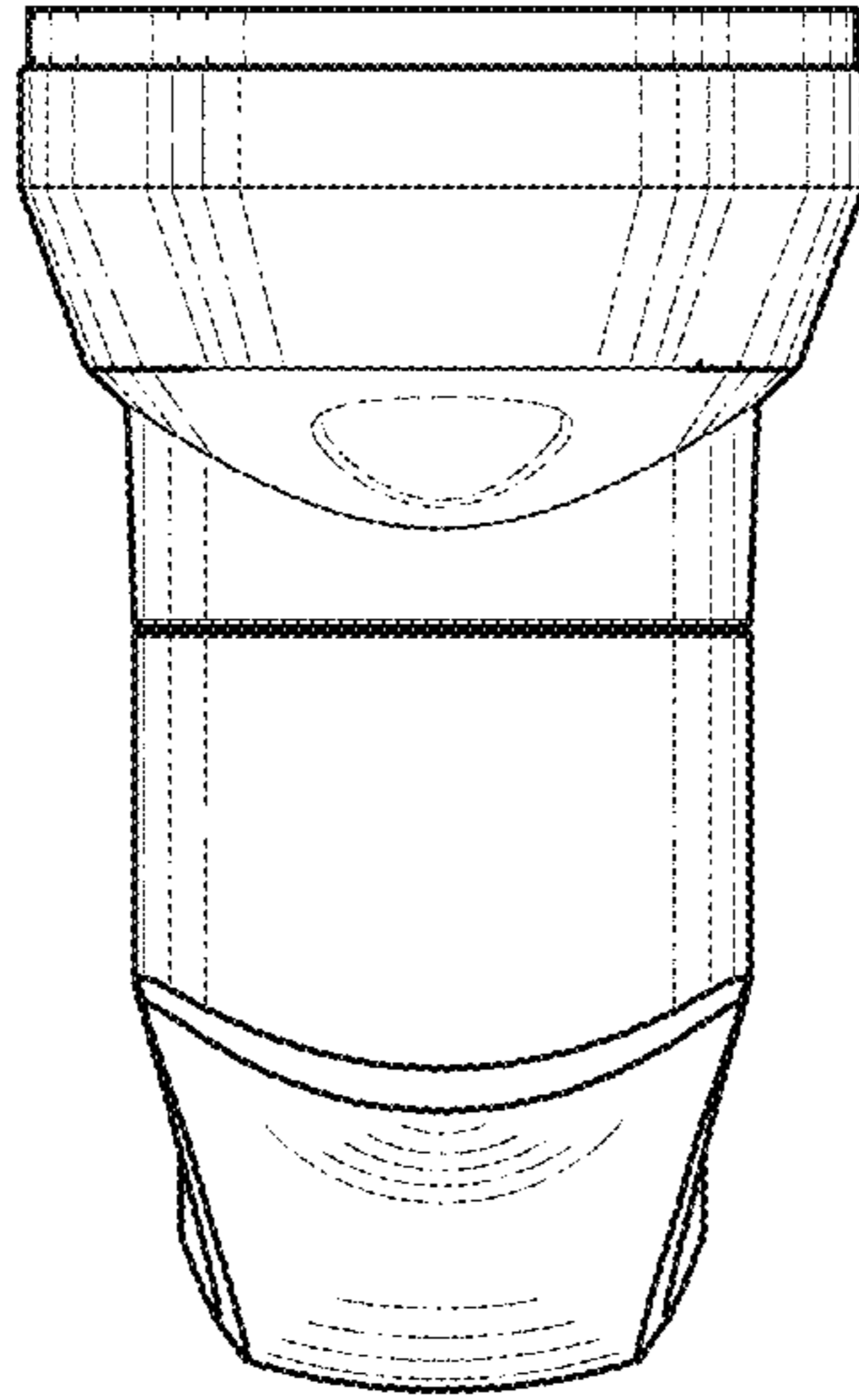


Fig. 5

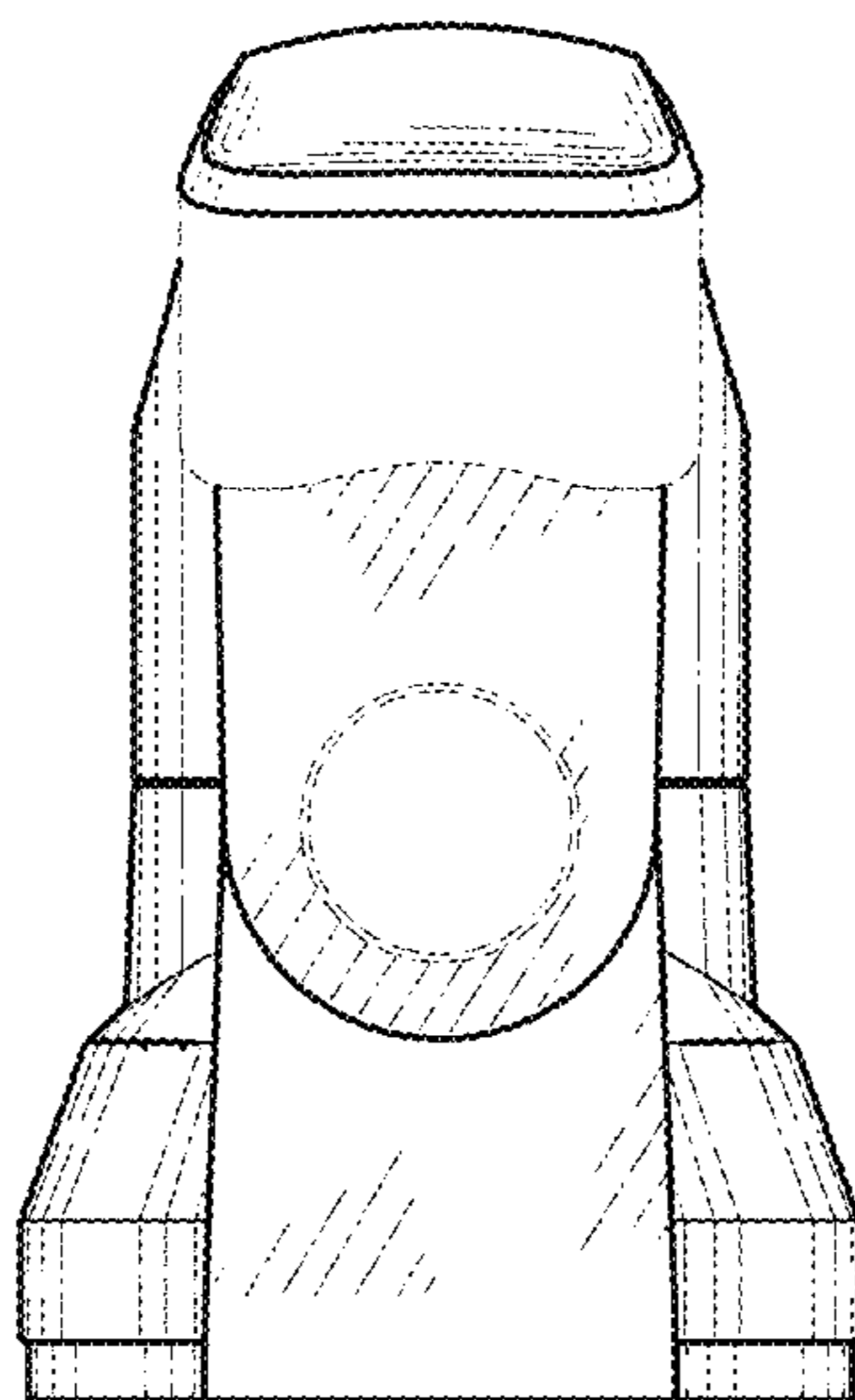


Fig. 6