



US00D773913S

(12) **United States Design Patent** (10) **Patent No.:** **US D773,913 S**
Severinson et al. (45) **Date of Patent:** **** Dec. 13, 2016**

(54) **SHARPENER**
(71) Applicant: **Zwilling J.A. Henckels AG**, Solingen (DE)
(72) Inventors: **Scott Severinson**, Hawthorne, NY (US); **Joanna Rosenberg**, Hawthorne, NY (US)
(73) Assignee: **Zwilling J.A. Henckels AG**, Solingen (DE)
(**) Term: **14 Years**
(21) Appl. No.: **29/511,824**
(22) Filed: **Dec. 15, 2014**
(51) **LOC (10) Cl.** **08-05**
(52) **U.S. Cl.**
USPC **D8/93**
(58) **Field of Classification Search**
USPC D8/62-63, 90-94; 451/349, 461, 486, 451/552, 555-558; 76/82, 88
CPC B24B 3/54; B24B 3/546; B24B 15/00; B24B 15/06; B24B 15/065; B24B 15/08; B24B 15/081; B24B 15/082
See application file for complete search history.

5,163,251 A 11/1992 Lee
D332,210 S 1/1993 Linden
D339,730 S 9/1993 Pigott
D342,003 S 12/1993 Friel et al.
D348,597 S 7/1994 Chi
D357,395 S 4/1995 Friel
5,404,679 A 4/1995 Friel et al.
5,449,315 A 9/1995 Friel
D365,740 S 1/1996 Smith
D368,217 S 3/1996 Friel
D372,181 S 7/1996 Kelley
D375,241 S 11/1996 Pigott
5,582,535 A 12/1996 Friel
5,611,726 A 3/1997 Friel et al.
(Continued)

Primary Examiner — Philip S Hyder
Assistant Examiner — Roselynn Cody
(74) *Attorney, Agent, or Firm* — Mayback & Hoffman, P.A.; Gregory L. Mayback

(57) **CLAIM**

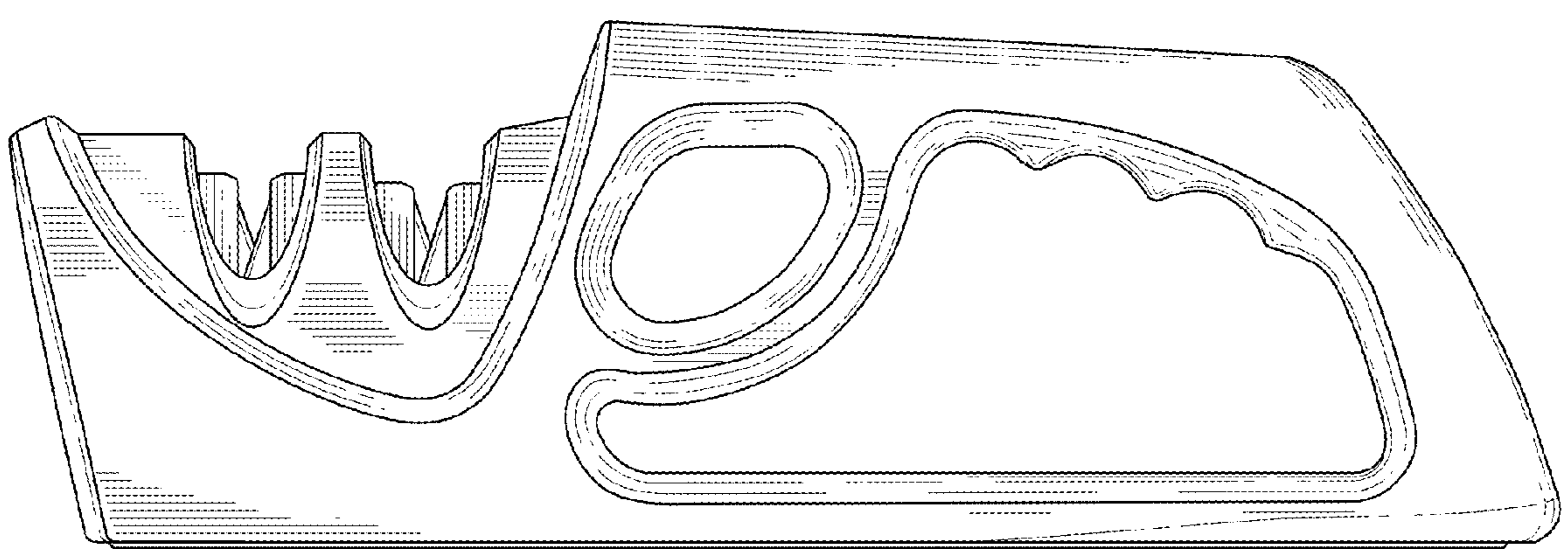
The ornamental design for a sharpener, as shown and described.

DESCRIPTION

FIG. 1 is a left side elevational view of a knife sharpener showing our new design;
FIG. 2 is a right side elevational view of the knife sharpener of FIG. 1;
FIG. 3 is a top plan view of the knife sharpener of FIG. 1;
FIG. 4 is an elevational view of the rear of the knife sharpener of FIG. 1;
FIG. 5 is an elevational view of the front of the knife sharpener of FIG. 1;
FIG. 6 is a bottom plan view of the knife sharpener of FIG. 1;
FIG. 7 is a left side rear perspective view of the knife sharpener of FIG. 1;
FIG. 8 is a right side front perspective view of the knife sharpener of FIG. 1; and,
FIG. 9 is a top side perspective view the knife sharpener of FIG. 1.

1 Claim, 4 Drawing Sheets

(56) **References Cited**
U.S. PATENT DOCUMENTS
D116,704 S 9/1939 Conway et al.
D142,880 S 11/1945 Loucony
D145,803 S 10/1946 Jones
D162,768 S 4/1951 Anheuser
D173,204 S 10/1954 Hussar
D183,530 S 9/1958 Lamb
D241,504 S 9/1976 Krushe et al.
4,502,254 A 3/1985 Carter
D281,857 S 12/1985 Groves
D299,308 S 1/1989 Prindle
D308,018 S 5/1990 Linden et al.
D309,414 S 7/1990 Shimizu
D309,415 S 7/1990 Shimizu
D315,663 S 3/1991 Dolbosco
D323,450 S 1/1992 Shimizu



(56)

References Cited

U.S. PATENT DOCUMENTS

D388,304	S	12/1997	Friel
D392,869	S	3/1998	Rieser
D402,523	S	12/1998	Thomas
D410,185	S	5/1999	Huber
6,149,662	A	11/2000	Pugliesi et al.
6,402,608	B1	6/2002	Pugliesi et al.
D470,382	S	2/2003	Kurz
D473,777	S	4/2003	Thompson et al.
D481,285	S	10/2003	Moeller et al.
D499,004	S	11/2004	Smith
D500,439	S	1/2005	Rosenthal
6,997,795	B2	2/2006	Friel, Sr.
D517,891	S	3/2006	Tsuchida
D519,815	S	5/2006	Friel, Sr. et al.
D525,509	S	7/2006	Weschenfelder
D526,876	S	8/2006	Smith
7,235,004	B2	6/2007	Friel, Sr. et al.
D575,125	S	8/2008	Smith
D575,130	S	8/2008	Smith
D578,581	S	10/2008	Smith
D587,088	S	2/2009	Smith
D587,550	S	3/2009	Smith
D587,551	S	3/2009	Friel, Sr. et al.
D603,679	S	11/2009	Smith
D604,134	S	11/2009	Smith et al.
D604,135	S	11/2009	Smith et al.
D624,799	S	10/2010	De Bretton Gordon
D626,397	S	11/2010	Smith et al.
D629,273	S	12/2010	Friel, Sr. et al.
D640,116	S	6/2011	Smith et al.
D640,523	S	6/2011	Stutz et al.
D640,909	S	7/2011	Stutz et al.
D673,833	S	1/2013	Kay
D680,846	S	4/2013	Smith
2008/0171504	A1	7/2008	Smith

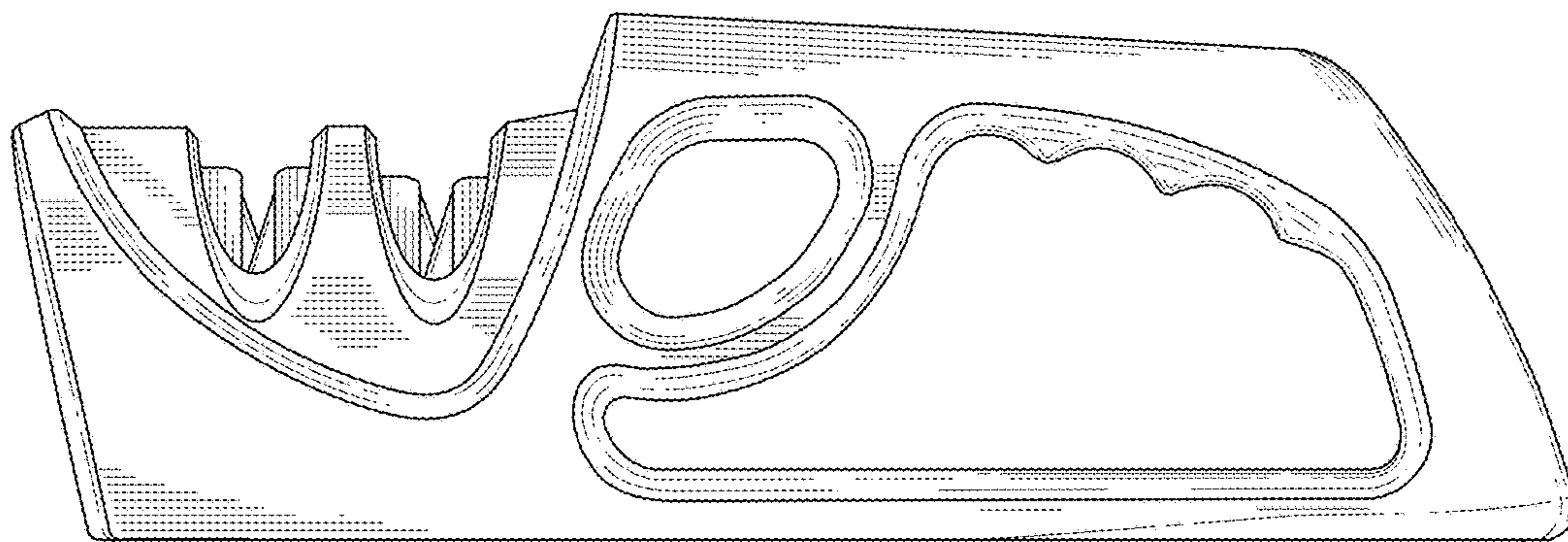


FIG. 1

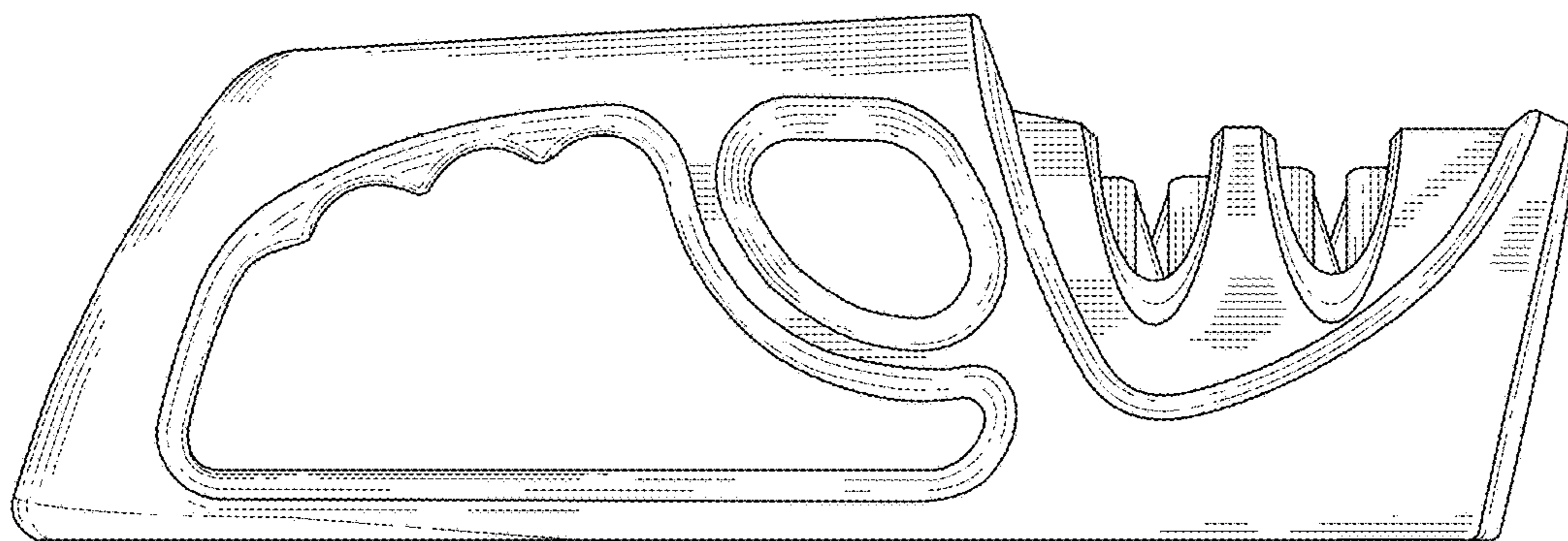


FIG. 2

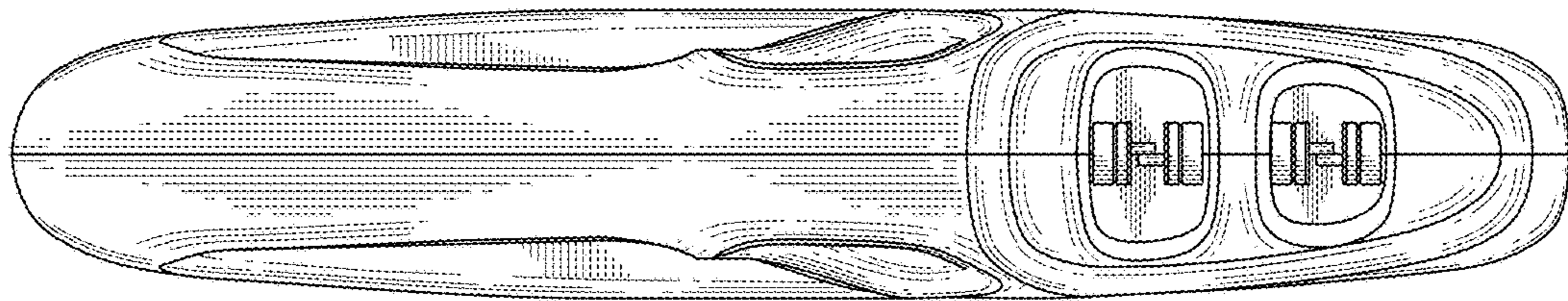


FIG. 3

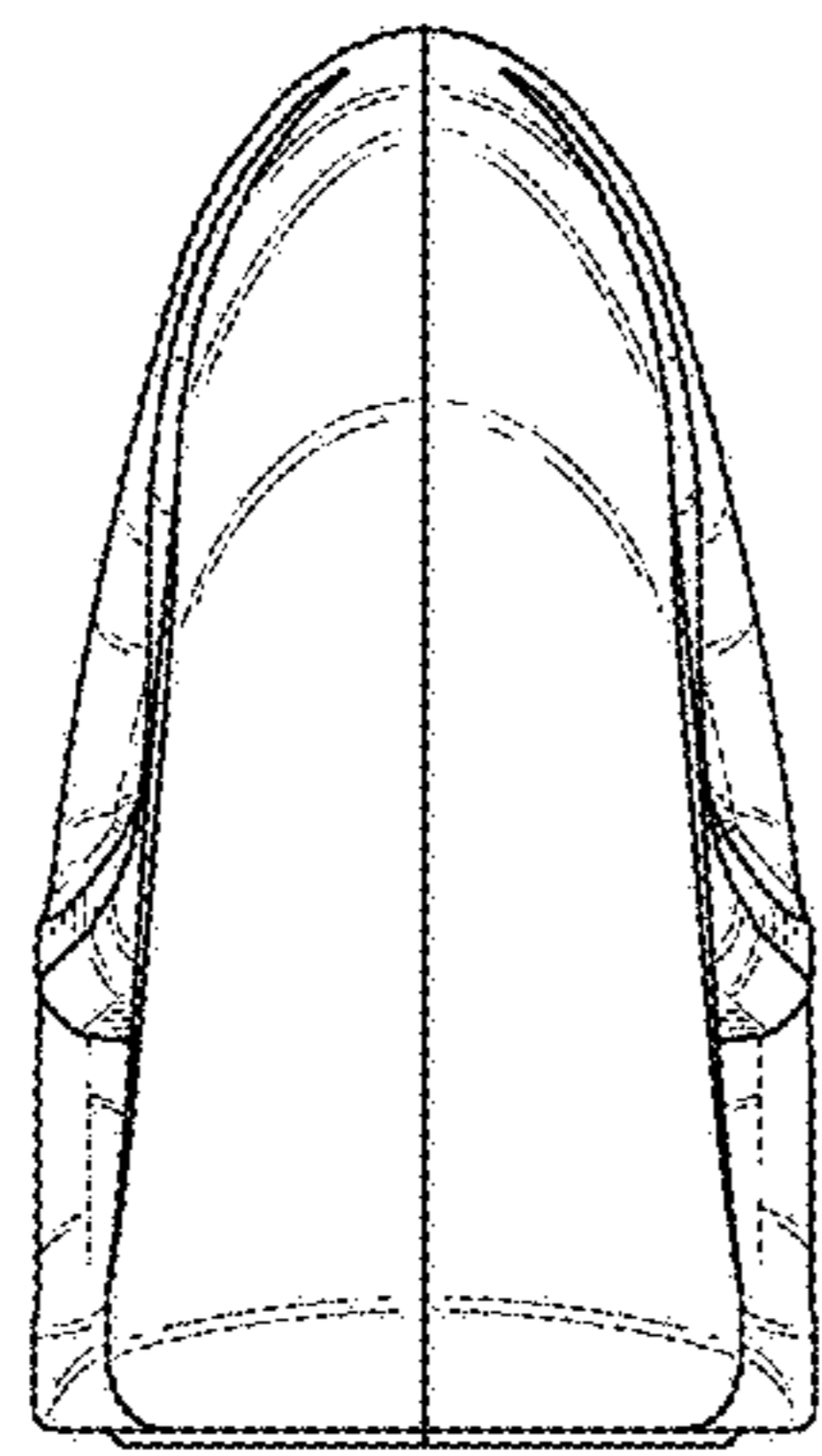


FIG. 4

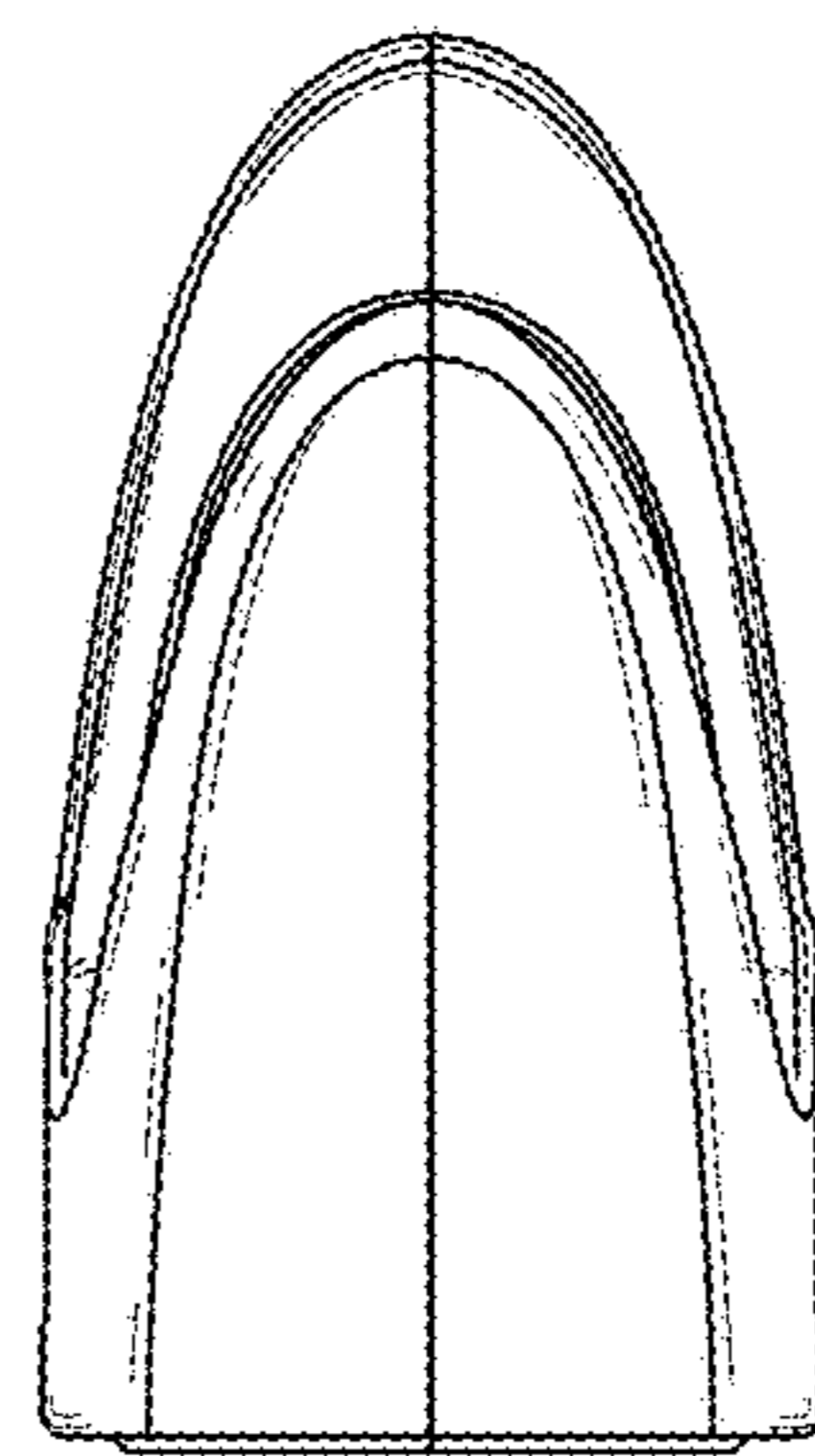


FIG. 5

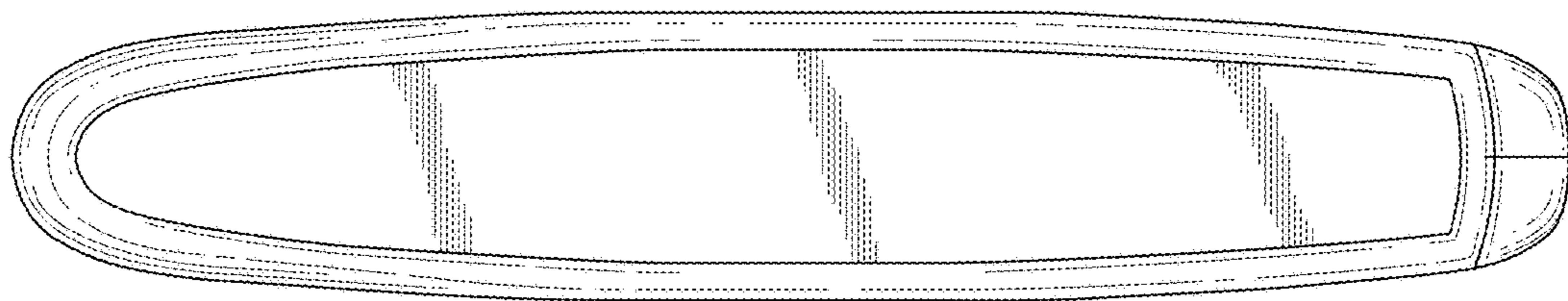


FIG. 6

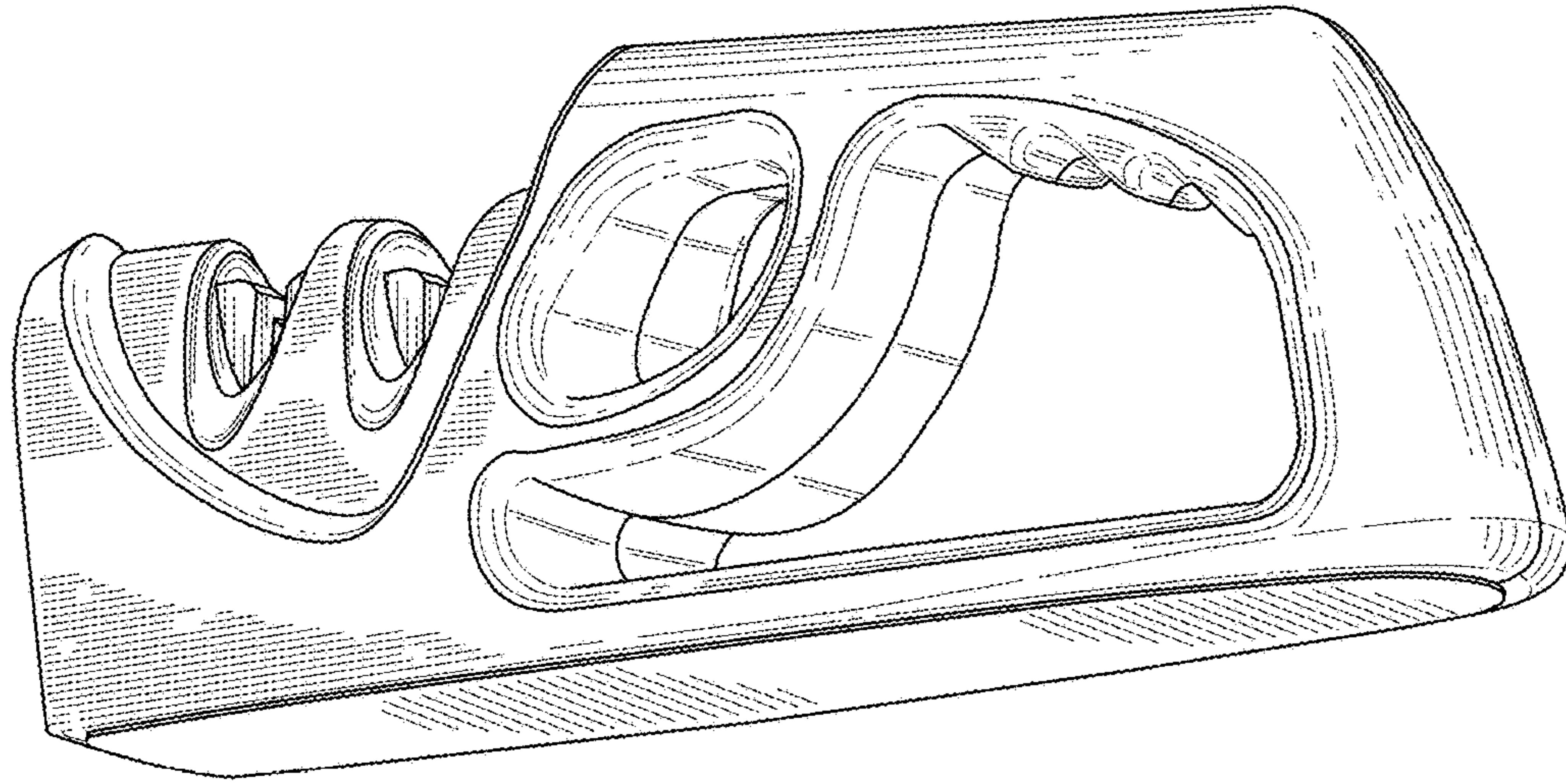


FIG. 7

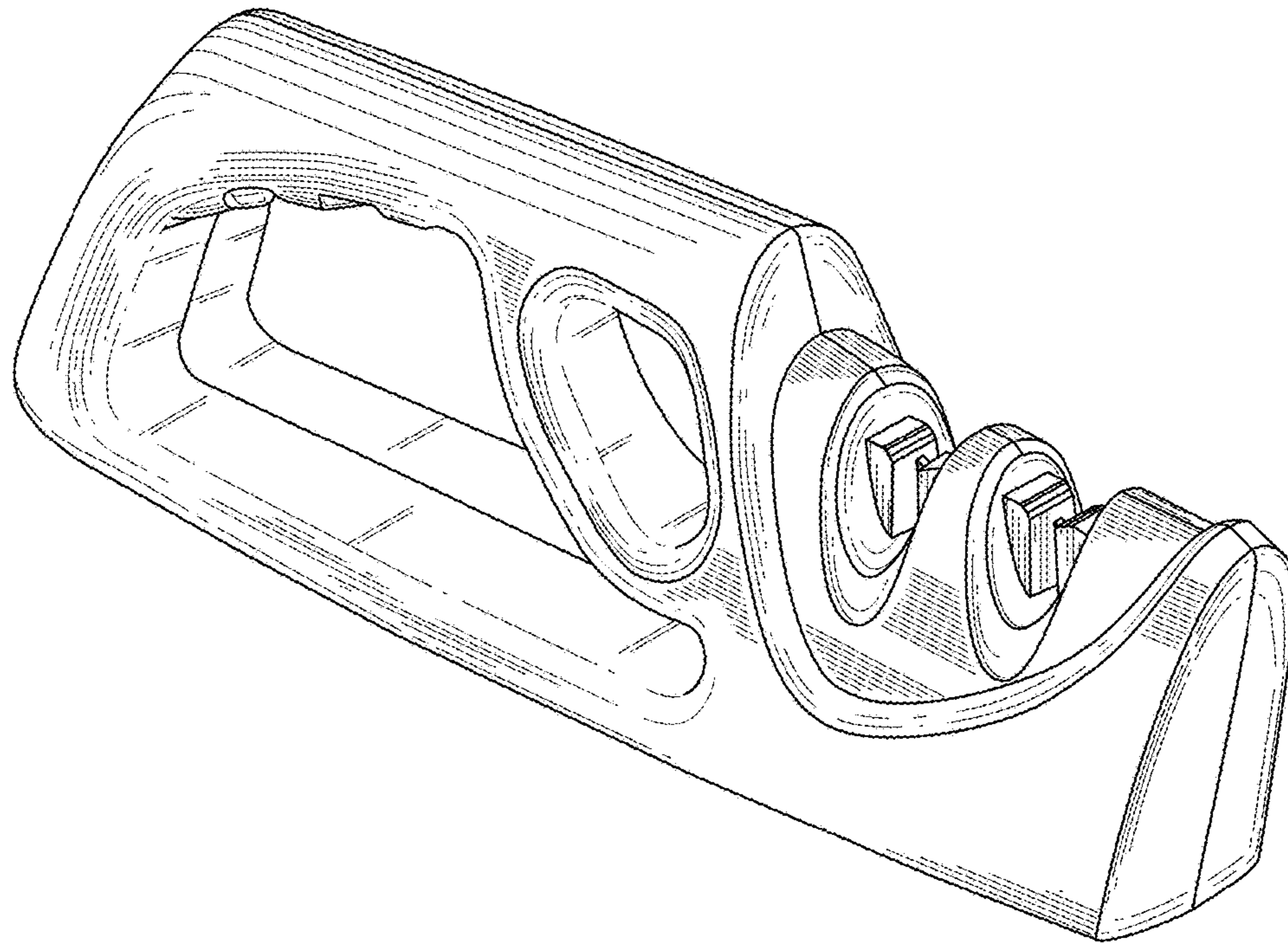


FIG. 8

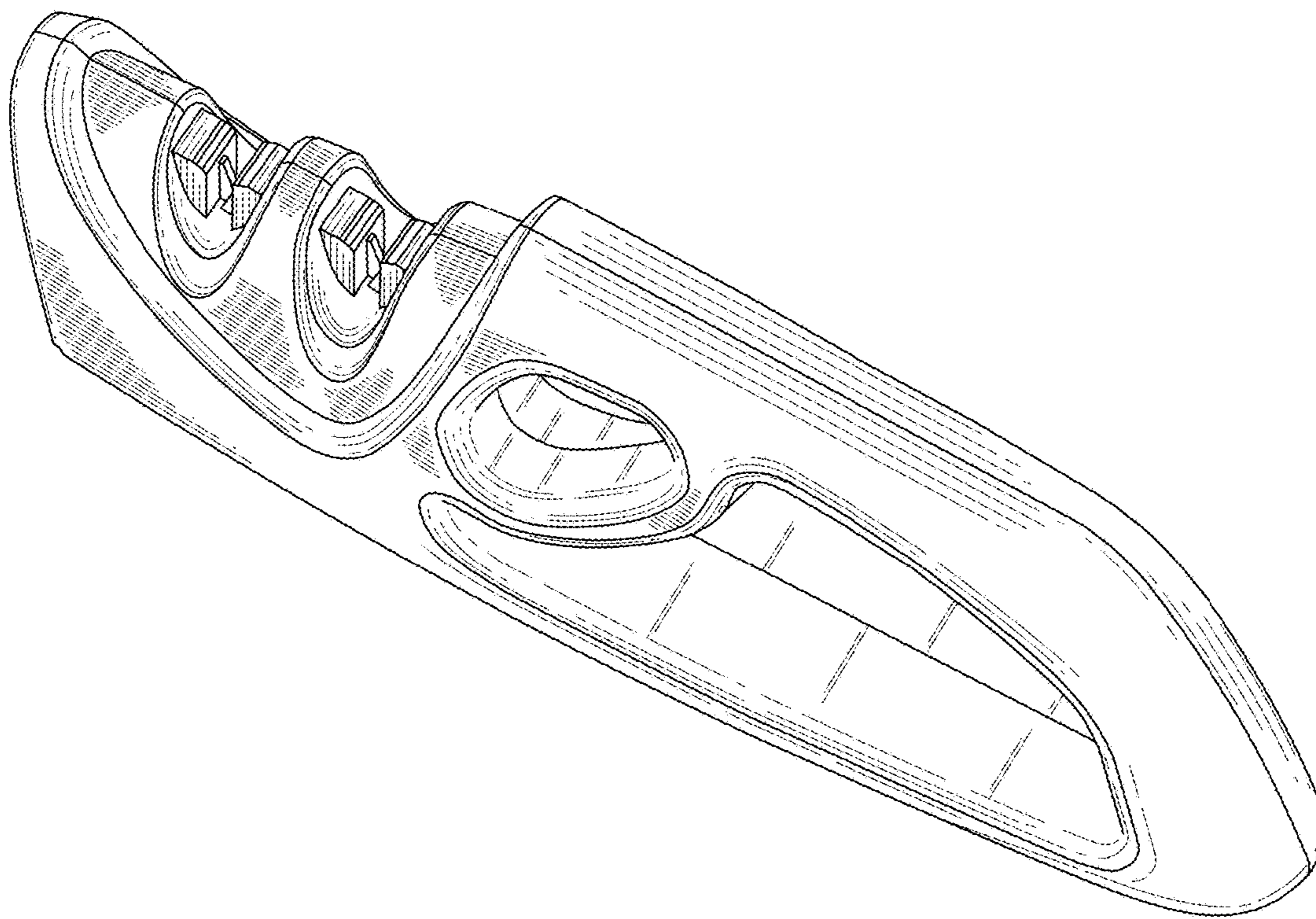


FIG. 9