



US00D773911S

(12) **United States Design Patent**
Louis

(10) **Patent No.:** **US D773,911 S**

(45) **Date of Patent:** **** Dec. 13, 2016**

- (54) **CARABINER BOTTLE OPENER**
- (71) Applicant: **Kenette Louis**, Brooklyn, NY (US)
- (72) Inventor: **Kenette Louis**, Brooklyn, NY (US)
- (**) Term: **14 Years**
- (21) Appl. No.: **29/525,400**
- (22) Filed: **Apr. 29, 2015**
- (51) **LOC (10) Cl.** **07-99**
- (52) **U.S. Cl.**
USPC **D8/34; D8/356**
- (58) **Field of Classification Search**
USPC D8/16, 18, 19, 33-43, 98, 100, 356, 367
CPC B67B 7/00; B67B 7/14; B67B 7/16;
B67B 7/18; B67B 7/20; B67B 7/24; B67B
7/44; B67B 3/00
See application file for complete search history.

(56) **References Cited**

U.S. PATENT DOCUMENTS

- D271,465 S * 11/1983 Boissonnet D8/367
- D282,904 S * 3/1986 Faidide D8/367
- 5,090,277 A * 2/1992 Spiller A43B 1/0027
254/131
- 5,287,645 A * 2/1994 Gois A01K 73/12
24/579.11
- D348,214 S * 6/1994 Girardin D8/367
- D413,252 S * 8/1999 Striebel D8/367
- D432,027 S * 10/2000 Fox D10/2
- D439,506 S * 3/2001 Striebel D8/367
- D467,819 S * 12/2002 Tang D10/30
- D469,023 S * 1/2003 Mah D10/15
- 6,527,434 B1 * 3/2003 Fox G04B 37/1433
368/276
- 6,591,646 B1 * 7/2003 Huang A44B 15/005
24/3.6
- D485,059 S * 1/2004 Pestone D3/210

- D504,306 S * 4/2005 Chisolm D8/356
- 7,111,349 B2 * 9/2006 Goldberg B25B 15/00
7/164
- D537,369 S * 2/2007 Bao D10/2
- D551,788 S * 9/2007 Bao D26/38
- D562,702 S * 2/2008 Bhavnani D10/2
- D608,184 S * 1/2010 Kelleghan D8/356
- 7,996,962 B2 * 8/2011 Peterson F16B 45/02
24/129 R
- D655,999 S * 3/2012 Kelleghan D8/356
- D690,772 S * 10/2013 Kado D20/19
- D740,105 S * 10/2015 Kelleghan D8/356
- D743,595 S * 11/2015 Fischer D26/38
- D746,662 S * 1/2016 Kelleghan D8/356

(Continued)

Primary Examiner — Elizabeth Albert

(74) *Attorney, Agent, or Firm* — Dunlap Bennett & Ludwig PLLC

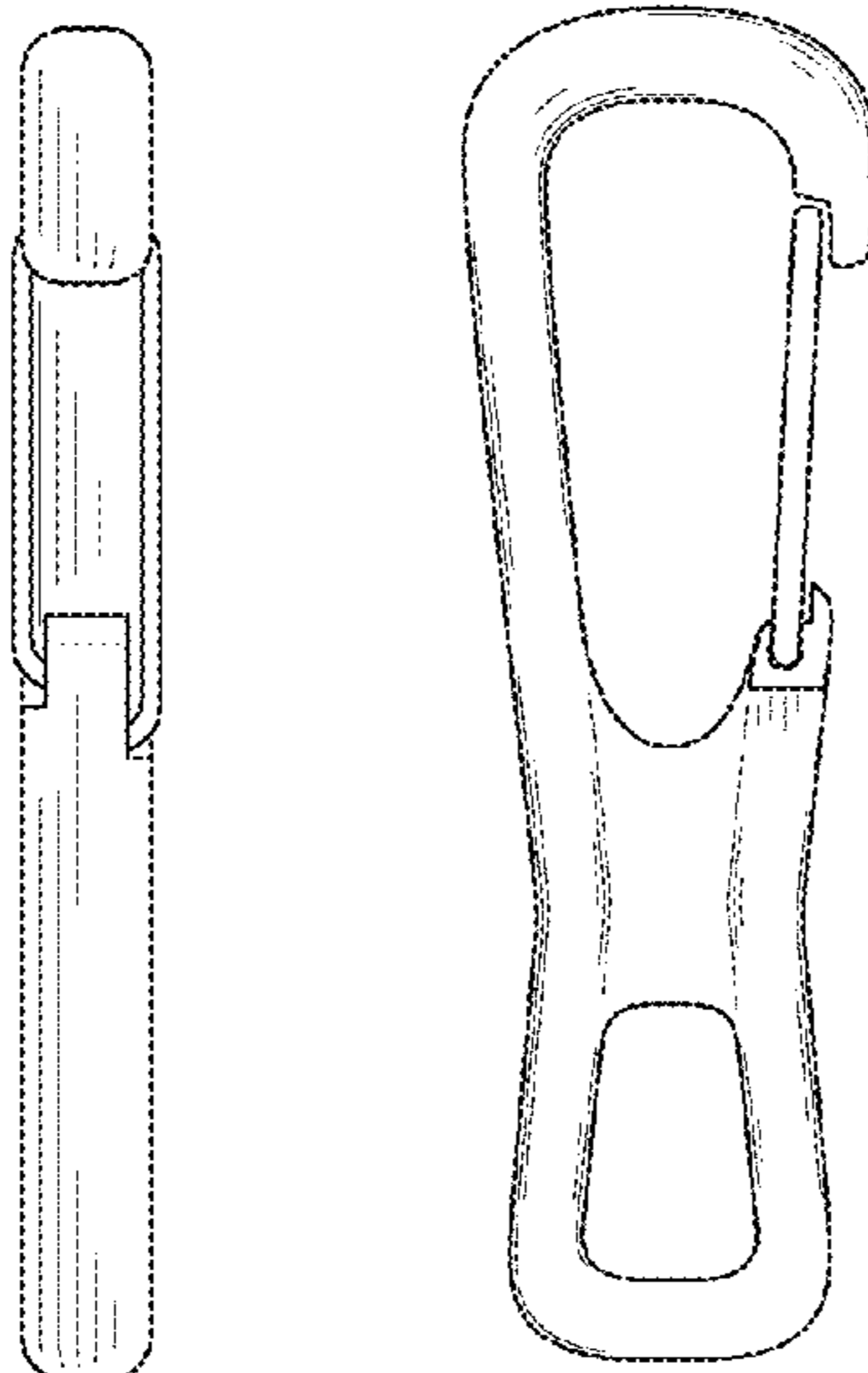
(57) **CLAIM**

The ornamental design for a carabiner bottle opener, as shown and described.

DESCRIPTION

FIG. 1 is a top front perspective view of a carabiner bottle opener showing my new design;
 FIG. 2 is a front elevation view thereof;
 FIG. 3 is a rear elevation view thereof;
 FIG. 4 is a left elevation view thereof;
 FIG. 5 is a right elevation view thereof;
 FIG. 6 is a top elevation view thereof;
 FIG. 7 is a bottom elevation view thereof;
 FIG. 8 is the right elevation view thereof, shown in use; and,
 FIG. 9 is the right elevation view thereof, shown in use.
 The broken lines shown in the drawings illustrate portions of the carabiner bottle opener that form no part of the claimed design.

1 Claim, 2 Drawing Sheets



(56)

References Cited

U.S. PATENT DOCUMENTS

D758,824 S * 6/2016 Kelleghan D8/105
2009/0158899 A1 * 6/2009 Eisenbraun A45C 15/00
81/3.09

* cited by examiner

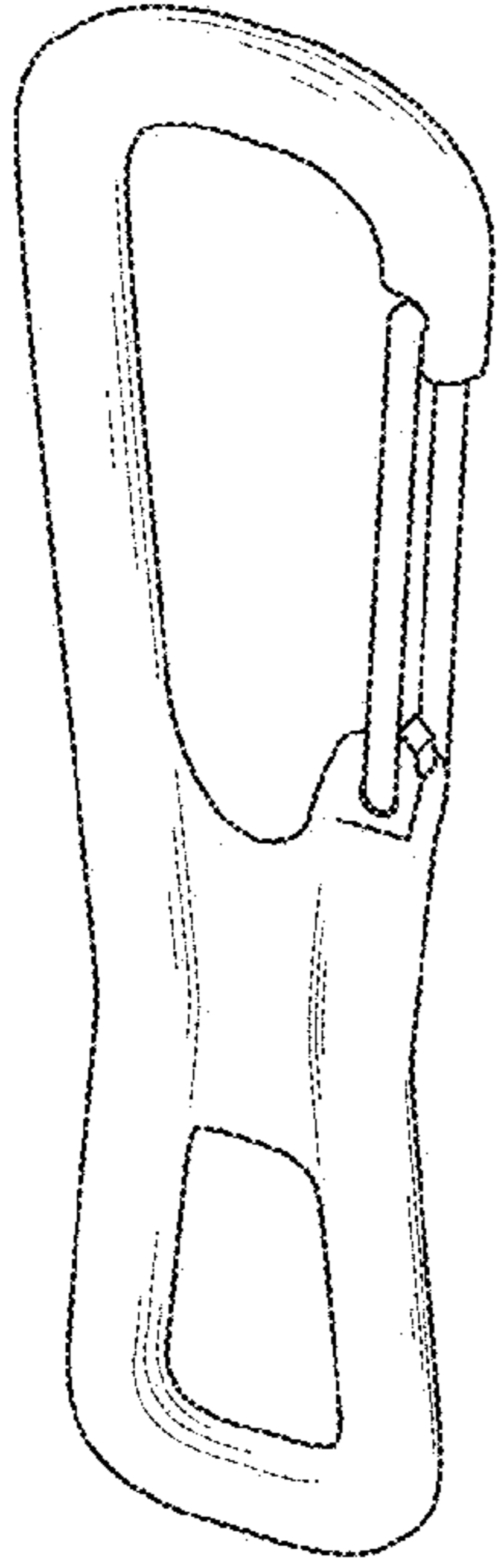


FIG. 1

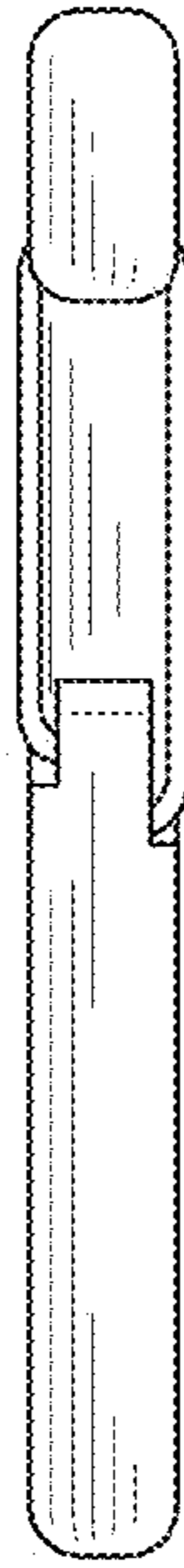


FIG. 2

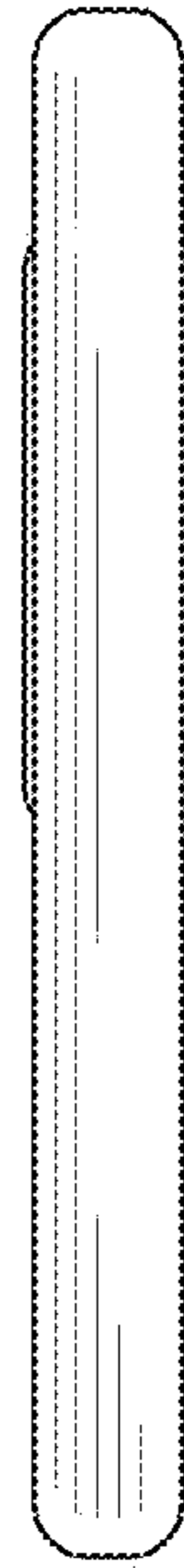


FIG. 3

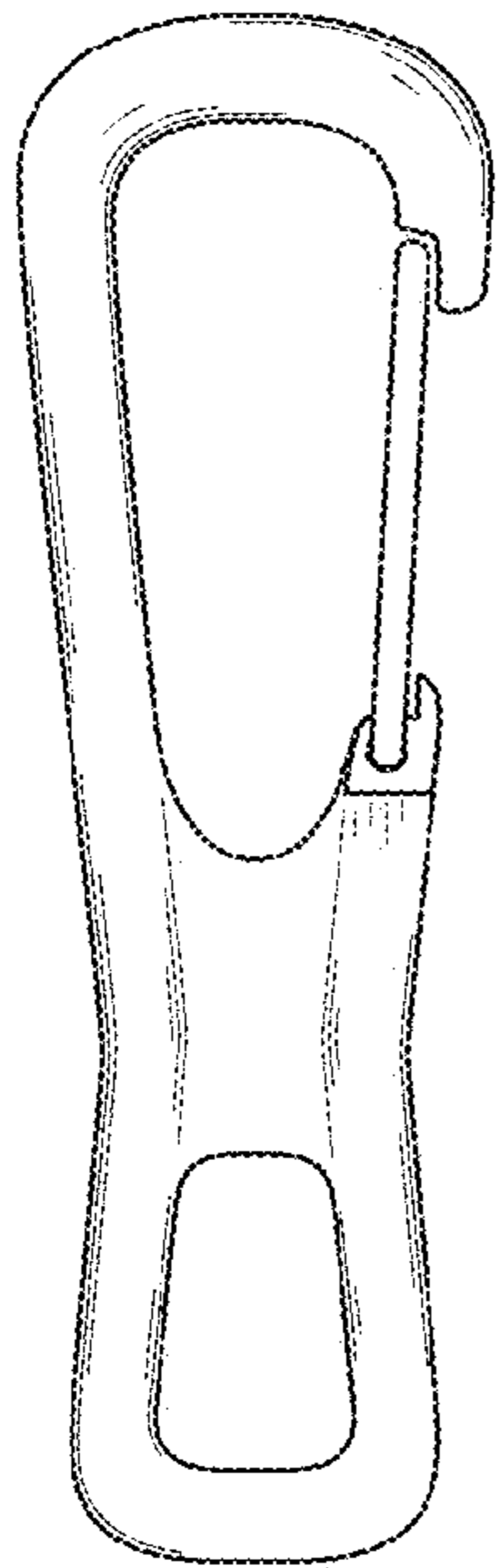


FIG. 4

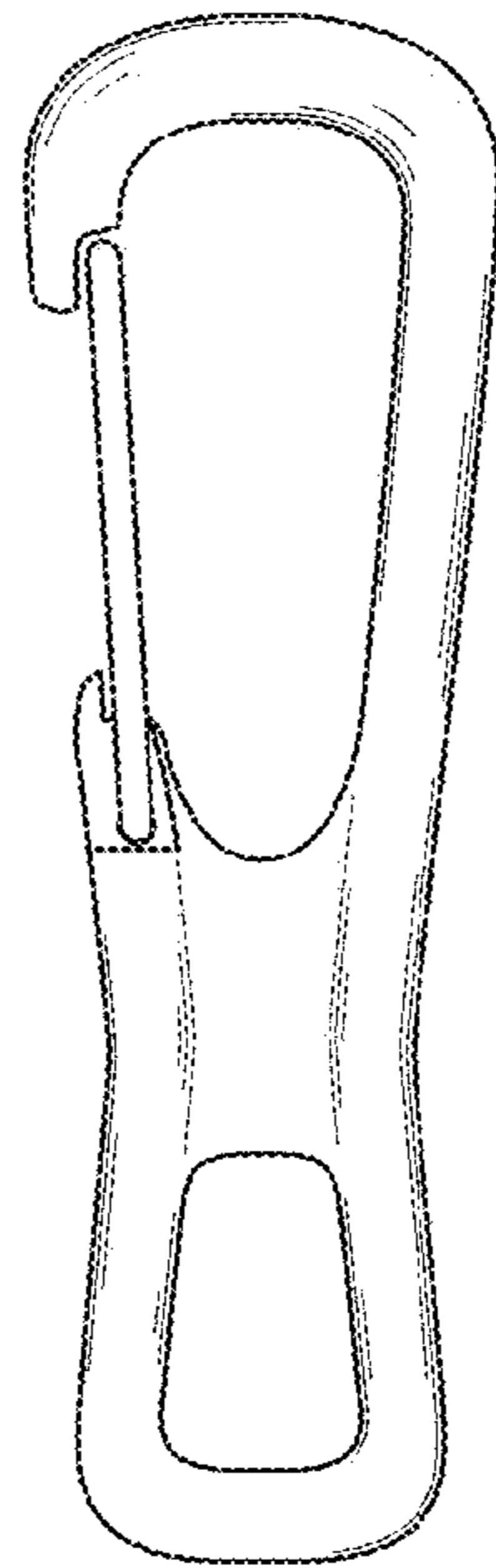


FIG. 5

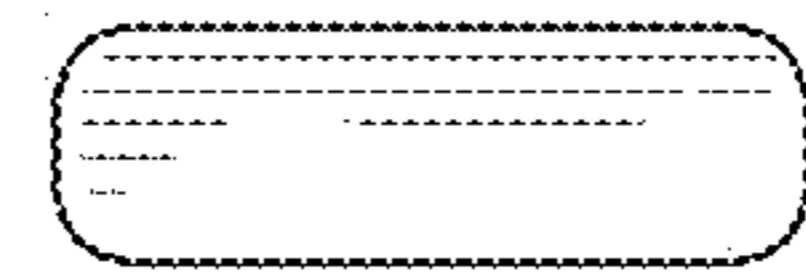


FIG. 6



FIG. 7

