



US00D773909S

(12) **United States Design Patent** (10) **Patent No.:** **US D773,909 S**  
**Paddock et al.** (45) **Date of Patent:** **\*\* Dec. 13, 2016**

(54) **FAUCET WRENCH**

(71) Applicants: **Cheyenne Paddock**, Lancaster, CA  
(US); **Andrea Paddock**, Lancaster, CA  
(US)

(72) Inventors: **Cheyenne Paddock**, Lancaster, CA  
(US); **Andrea Paddock**, Lancaster, CA  
(US)

(\*\*) Term: **15 Years**

(21) Appl. No.: **29/542,394**

(22) Filed: **Oct. 14, 2015**

(51) **LOC (10) Cl.** ..... **08-05**

(52) **U.S. Cl.**  
USPC ..... **D8/21**

(58) **Field of Classification Search**  
USPC D8/17, 21-29, 52, 55, 81-87, 102-107, 98,  
D8/99, 93, 94; 81/119, 121.1, 86, 124.2,  
81/125, 125.1, 176.1, 176.2, 177.1, 177.2,  
81/177.3, 177.85, 124.3, 124.7, 176.3,  
81/179, 160, 3.57, 3.55, 58.4, 186, 58.3,  
81/300, 58.1, 60-63.2, 165-170, 110.1,  
81/124.6, 176.15, 121.7, 436, 437,  
81/418.166, 177.8, 177.9, 185.1, 3.4,  
81/177.4, 492, 57, 58, 13, 177.7, 490,  
81/415-423, 427.5; 140/119; 16/422,  
16/186, 429, 430; D24/133, 144, 147  
CPC ..... B25B 1/00  
See application file for complete search history.

(56) **References Cited**  
U.S. PATENT DOCUMENTS  
1,334,154 A \* 3/1920 Harrison ..... B25B 23/0014  
24/265 B  
2,895,362 A \* 7/1959 Jamgotchian ..... B25B 13/461  
411/919

4,209,903 A \* 7/1980 Owens ..... A01G 3/06  
294/50.7  
4,485,702 A 12/1984 Swan et al.  
D311,315 S \* 10/1990 Duke ..... D8/14  
5,048,378 A \* 9/1991 Nikolas ..... B25B 13/06  
81/124.2  
5,090,276 A 2/1992 Groskey  
5,542,321 A 8/1996 Fuca  
D399,107 S \* 10/1998 Murray ..... D8/21  
D400,769 S \* 11/1998 Duke ..... D8/21  
5,996,447 A 12/1999 Bayouth  
6,045,311 A \* 4/2000 Chang ..... B25B 13/04  
411/402  
D431,984 S \* 10/2000 Cotillon ..... D8/29  
6,463,833 B1 \* 10/2002 Lund ..... B25B 13/02  
81/124.2  
D480,933 S 10/2003 Wendt  
D513,465 S \* 1/2006 Carey ..... D8/14  
7,121,172 B1 10/2006 Daniels  
7,231,852 B1 6/2007 Henin et al.  
D548,030 S \* 8/2007 Hertel ..... D8/29  
D634,595 S \* 3/2011 Tyson ..... D8/14  
2008/0034927 A1 2/2008 Adkins et al.  
2014/0116206 A1 5/2014 Chartier et al.

\* cited by examiner

Primary Examiner — Randall Gholson

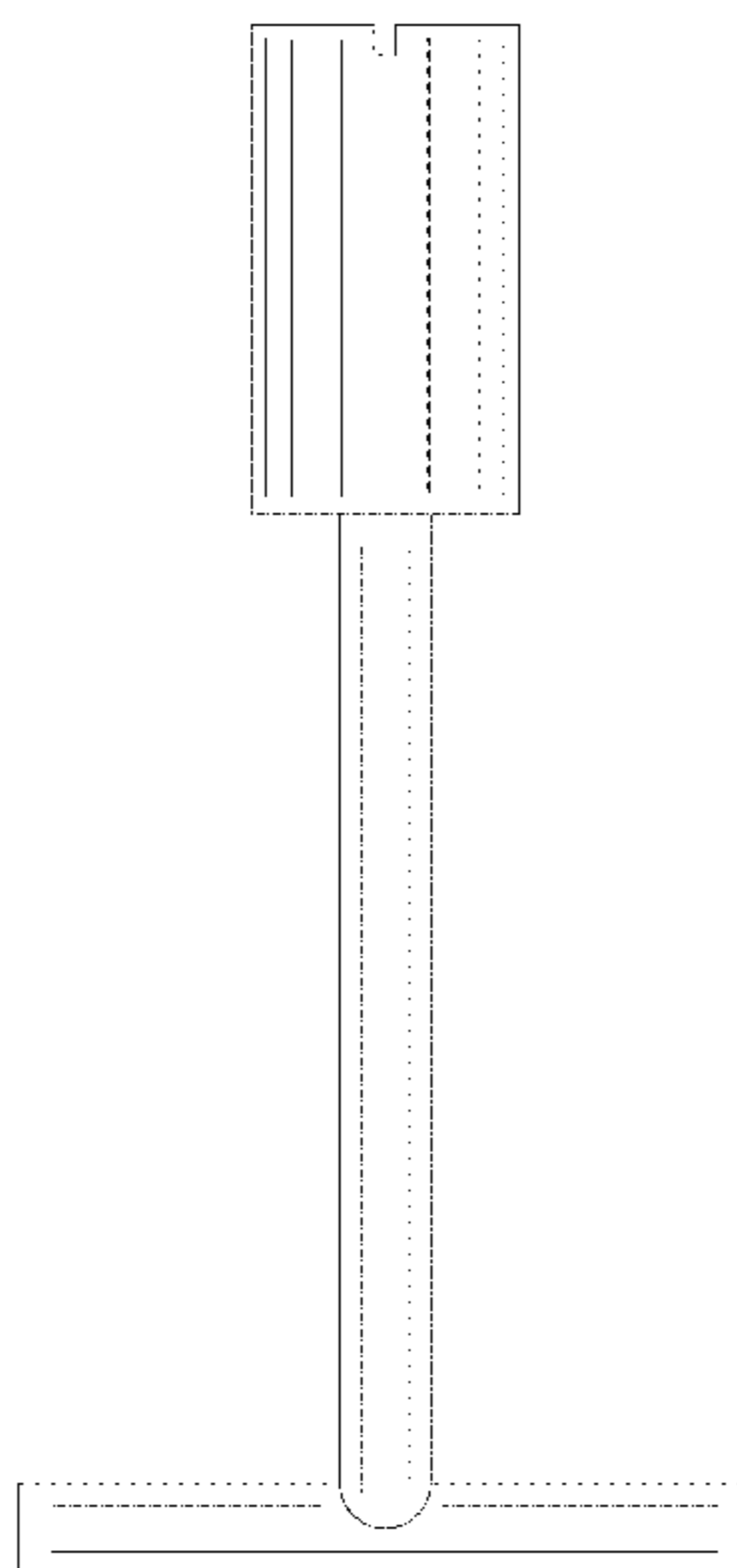
(57) **CLAIM**

The ornamental design for a faucet wrench, as shown and described.

**DESCRIPTION**

FIG. 1 is a front view of a faucet wrench showing my new design. a rear view being identical;  
FIG. 2 is a left side view of the faucet wrench, a right side view being identical;  
FIG. 3 is a top view of the faucet wrench;  
FIG. 4 is a bottom view of the faucet wrench;  
FIG. 5 is a top front side view of the faucet wrench; and,  
FIG. 6 is a cross-sectional view of the faucet wrench taken along line 6-6 of FIG. 3.

**1 Claim, 5 Drawing Sheets**



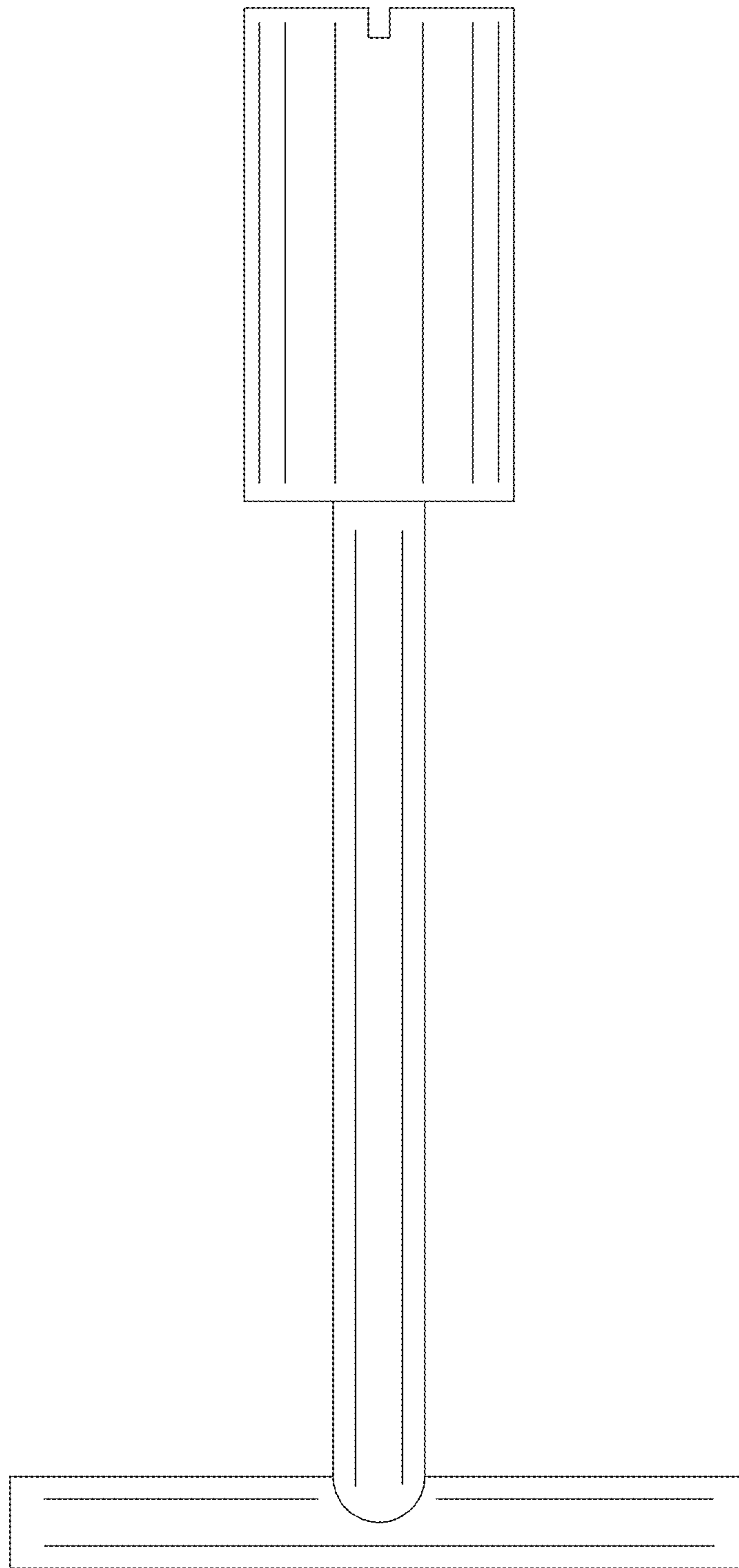


FIG. 1

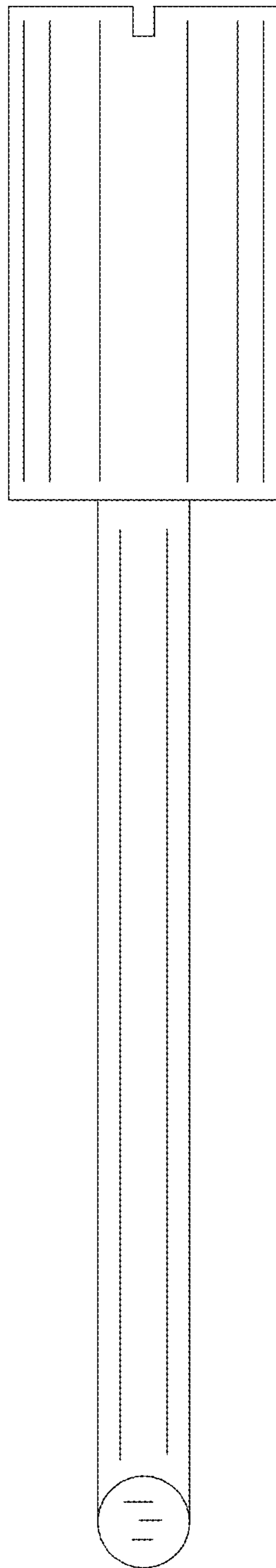


FIG. 2

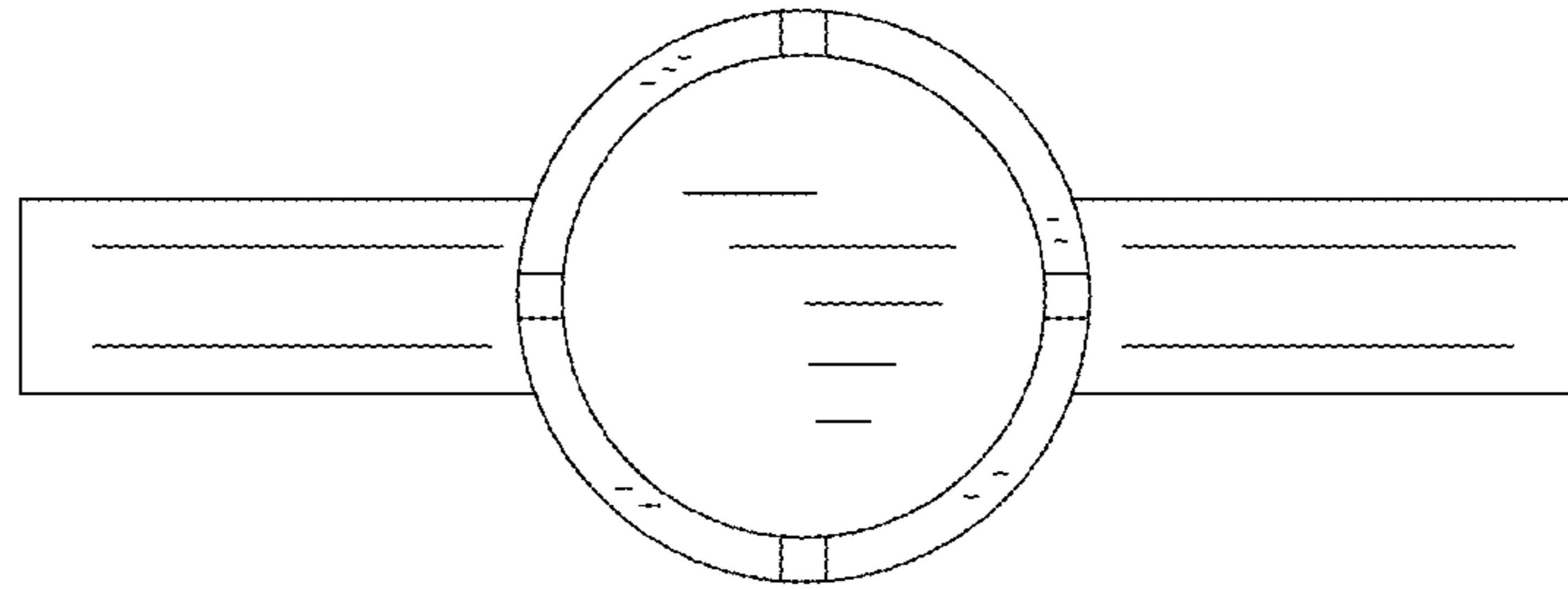


FIG. 3

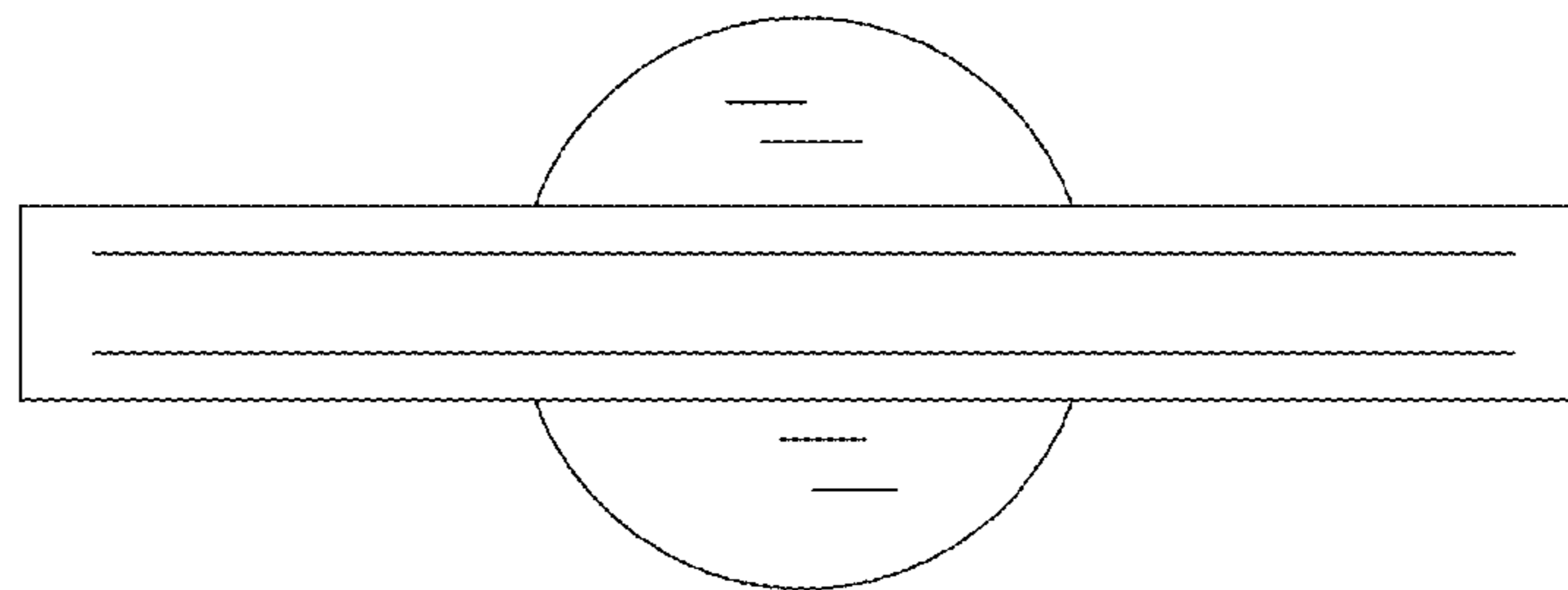


FIG. 4

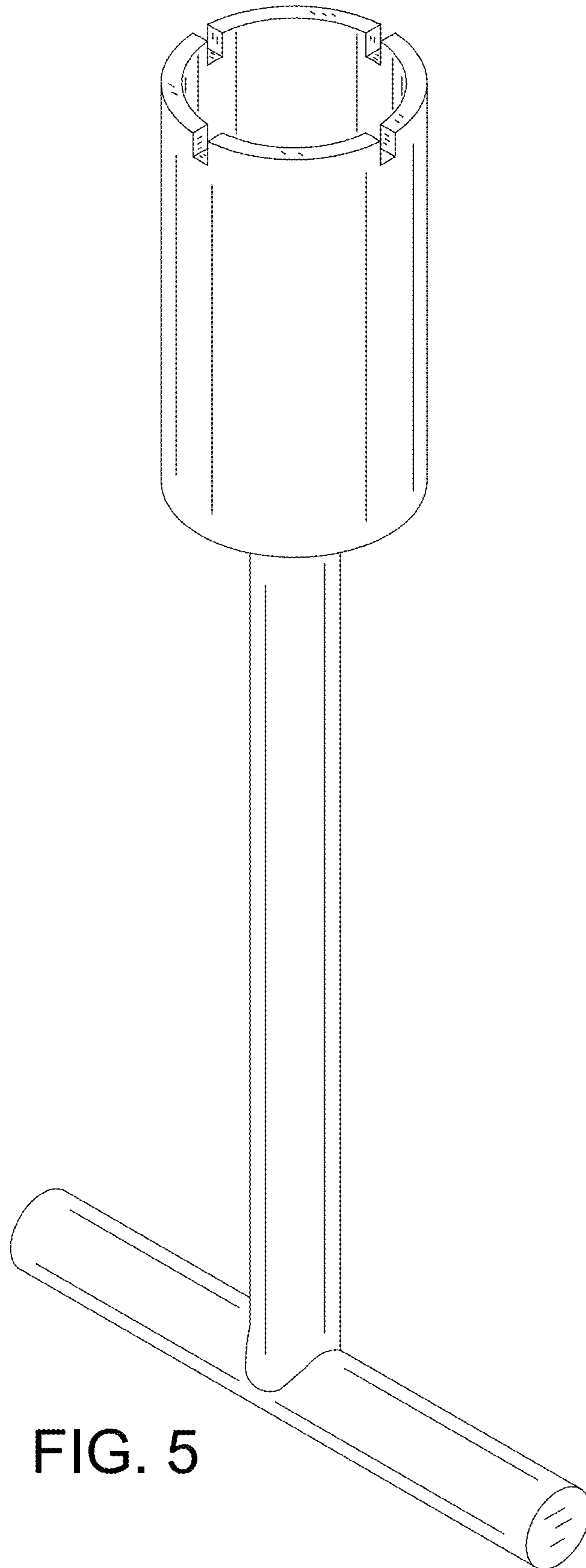


FIG. 5

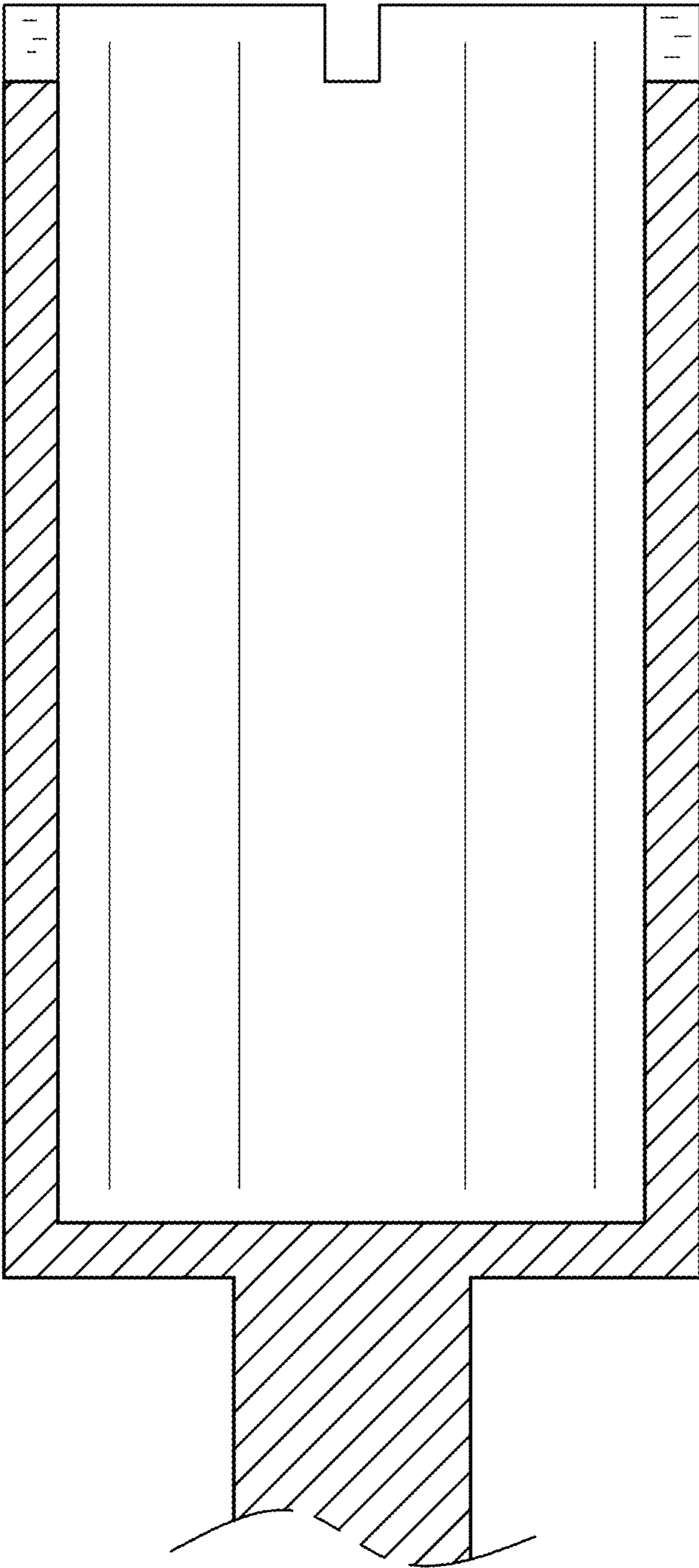


FIG. 6