



US00D773908S

(12) **United States Design Patent**  
**Arakelian**

(10) **Patent No.:** **US D773,908 S**

(45) **Date of Patent:** **\*\* Dec. 13, 2016**

(54) **MULTI-TOOL**

(71) Applicant: **Narbeh Arakelian**, Glendale, CA (US)

(72) Inventor: **Narbeh Arakelian**, Glendale, CA (US)

(\*\*) Term: **15 Years**

(21) Appl. No.: **29/540,269**

(22) Filed: **Sep. 22, 2015**

(51) **LOC (10) Cl.** ..... **08-05**

(52) **U.S. Cl.**  
USPC ..... **D8/16**

(58) **Field of Classification Search**

USPC ..... D8/16, 17, 18, 19, 20, 105, 363, 366,  
D8/370-377, 380-382

CPC ..... B25F 1/00; B25F 1/02; A45F 2200/0575;  
G01B 5/18

See application file for complete search history.

(56) **References Cited**

**U.S. PATENT DOCUMENTS**

D41,807 S *	9/1911	Beach	81/3.55
D200,252 S *	2/1965	Brown	D8/18
D308,620 S *	6/1990	Baca	D8/18
D391,470 S *	3/1998	Johnson	D8/330
D528,880 S *	9/2006	Belflower	D8/16
D622,114 S *	8/2010	Balliet	D8/16
D623,030 S *	9/2010	Spater	D8/16
D693,202 S *	11/2013	Berman	D3/210

D705,034 S *	5/2014	Connell	D8/105
D725,979 S *	4/2015	Breedon, III	D8/16
2008/0022738 A1 *	1/2008	Maxwell	A44B 15/007 70/458

\* cited by examiner

*Primary Examiner* — Robert M Spear

*Assistant Examiner* — Eliza Bennett-Hattan

(74) *Attorney, Agent, or Firm* — Cotman IP Law Group, PLC

(57) **CLAIM**

The ornamental design for a multi-tool, as shown and described.

**DESCRIPTION**

FIG. 1 is a perspective view of a multi-tool showing an embodiment of a new design;

FIG. 2 is a left side elevational view of the multi-tool shown in FIG. 1;

FIG. 3 is a right side elevational view of the multi-tool; shown in FIG. 1;

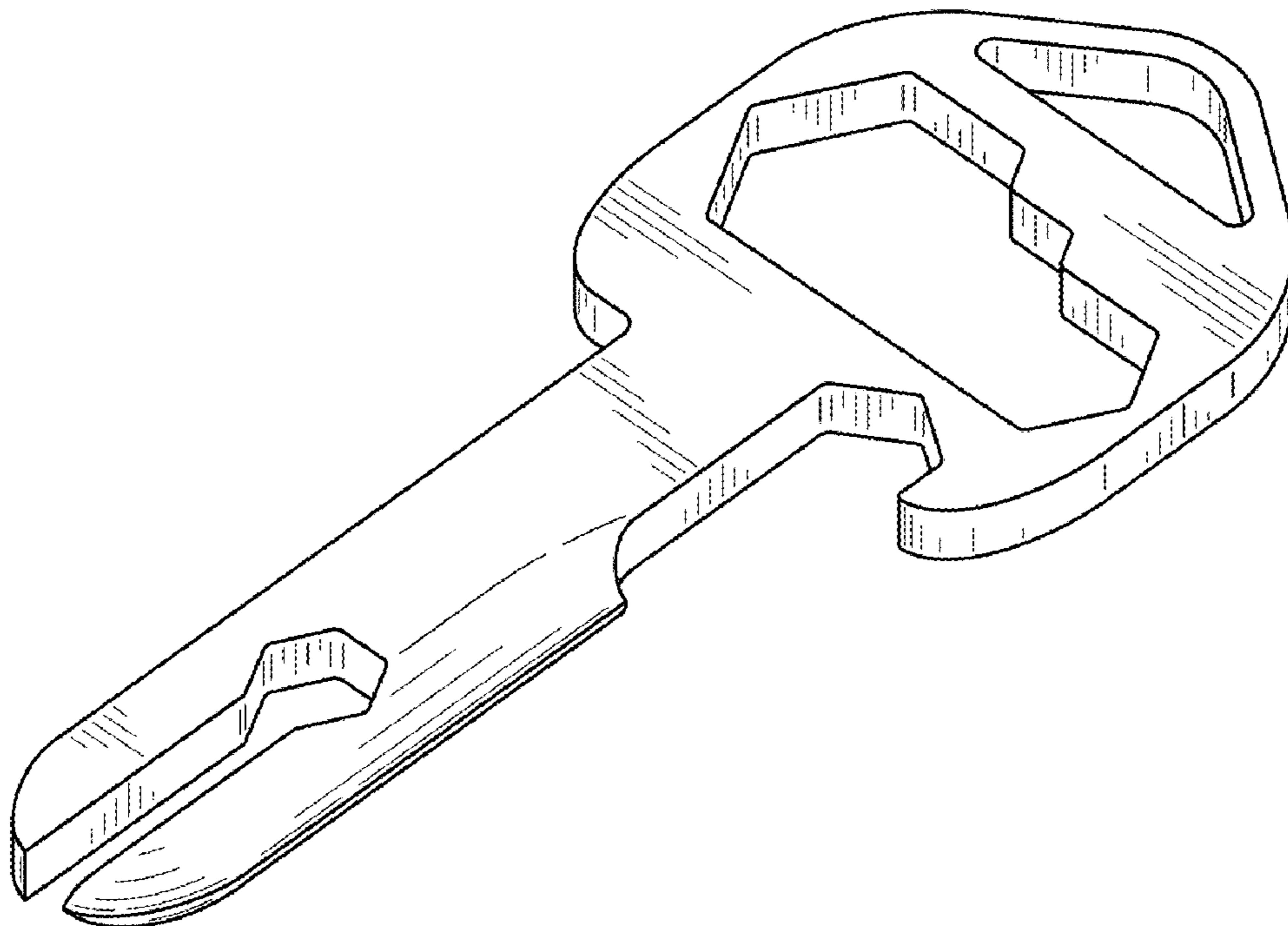
FIG. 4 is a front elevational view of the multi-tool shown in FIG. 1;

FIG. 5 is a rear elevational view of the multi-tool shown in FIG. 1;

FIG. 6 is a top elevational of the multi-tool shown in FIG. 1; and,

FIG. 7 is a bottom elevational of the multi-tool shown in FIG. 1.

**1 Claim, 2 Drawing Sheets**



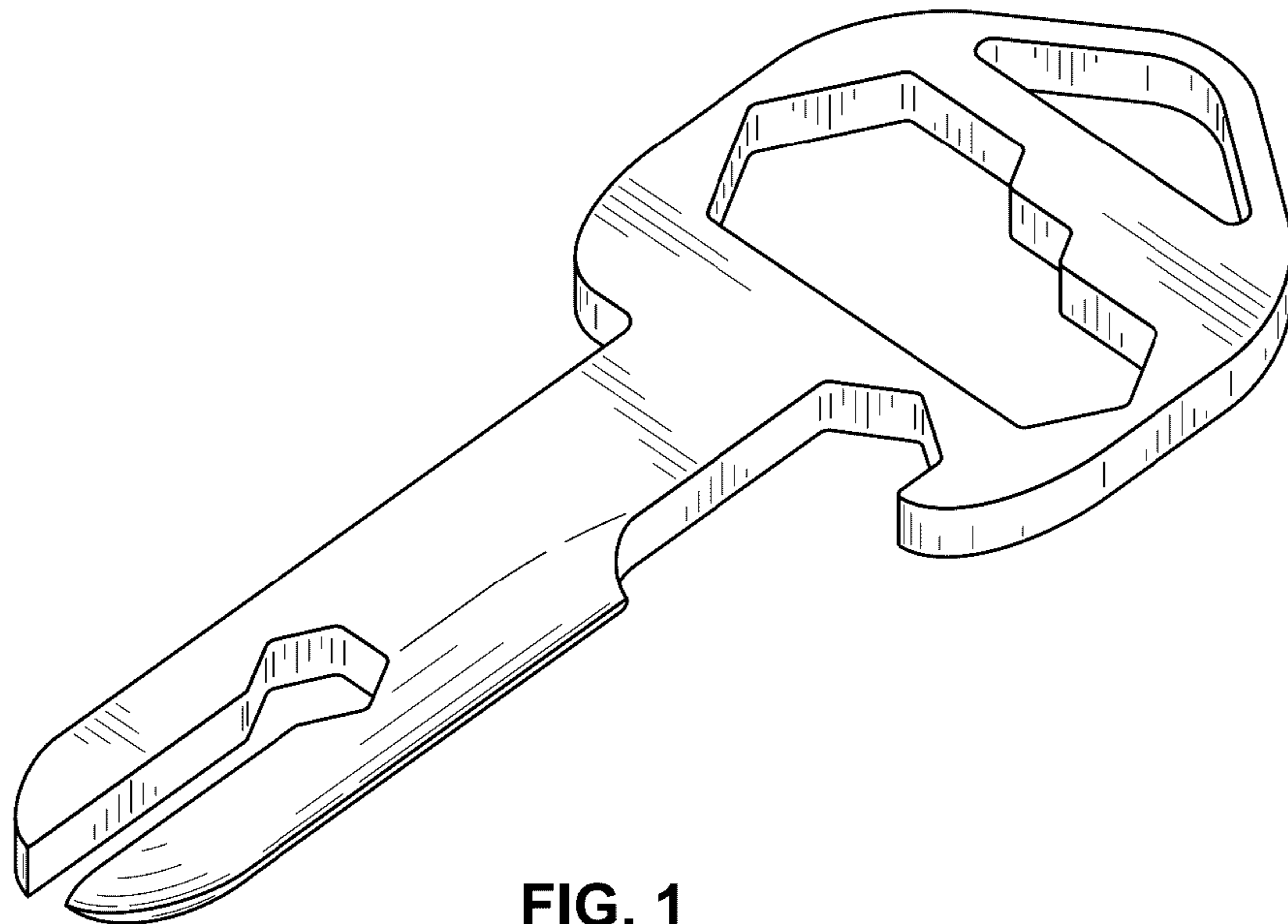


FIG. 1

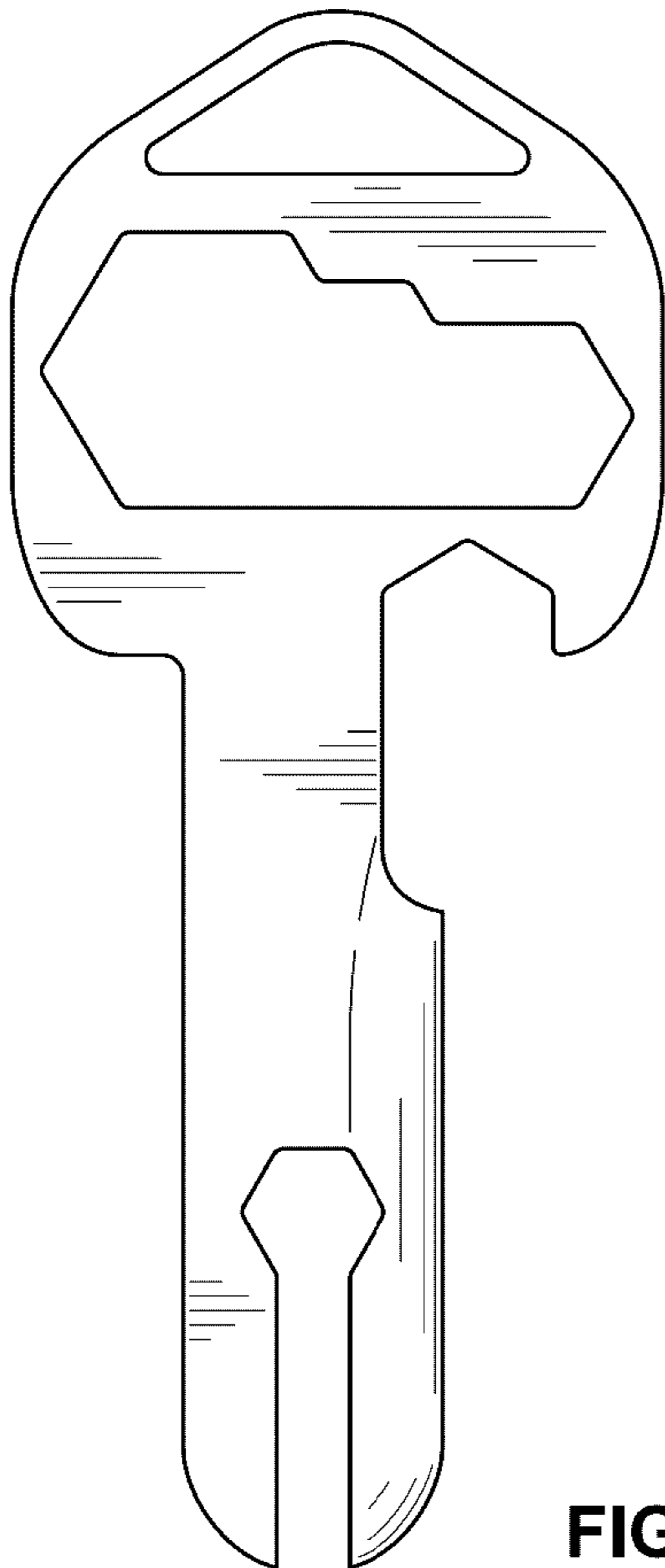


FIG. 2

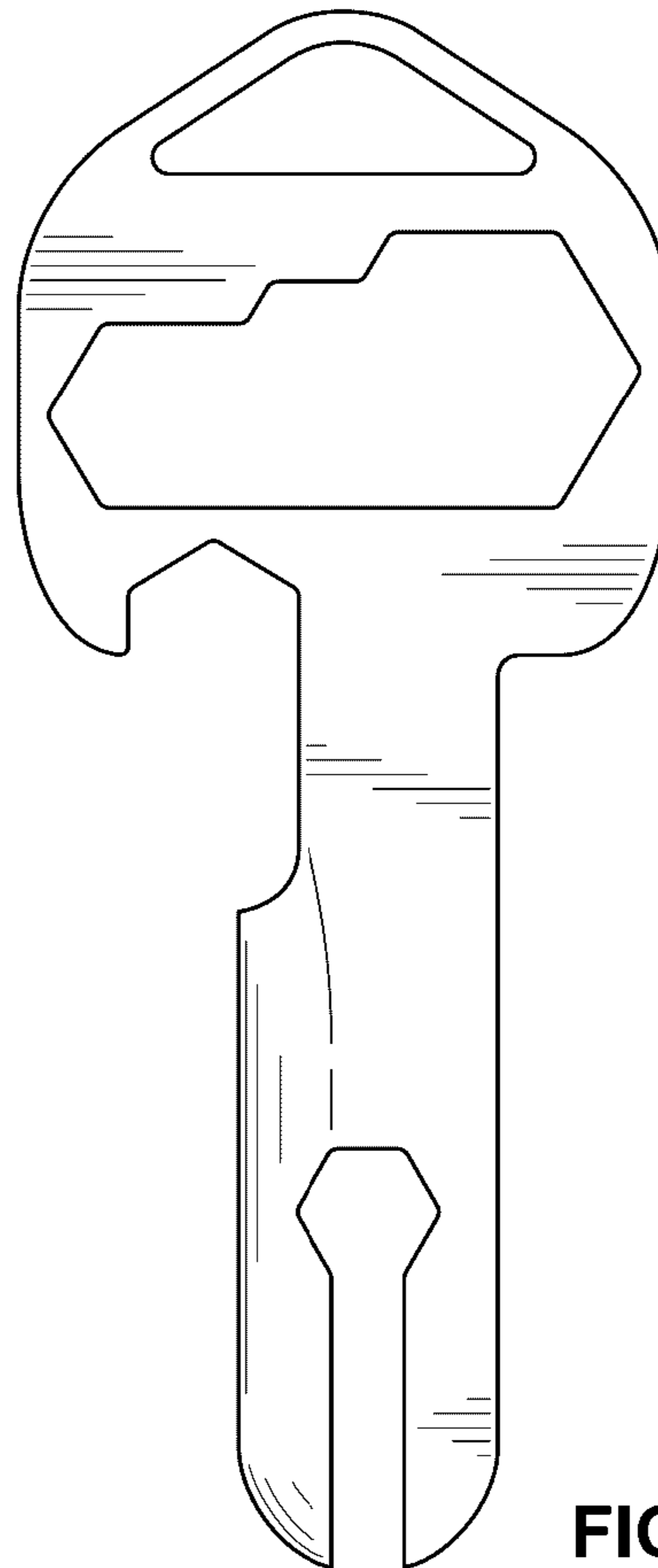


FIG. 3



FIG. 4



FIG. 5

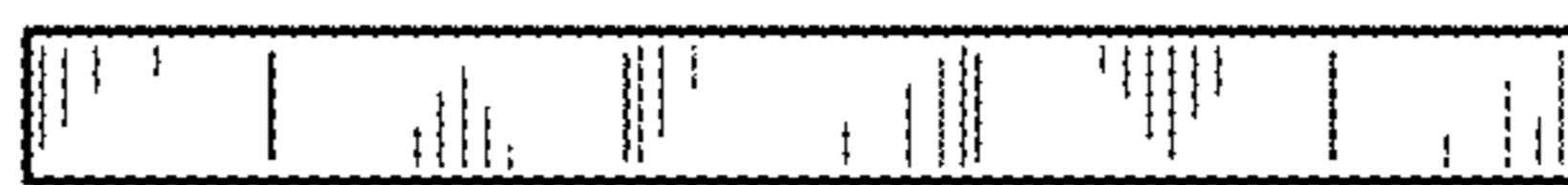


FIG. 6

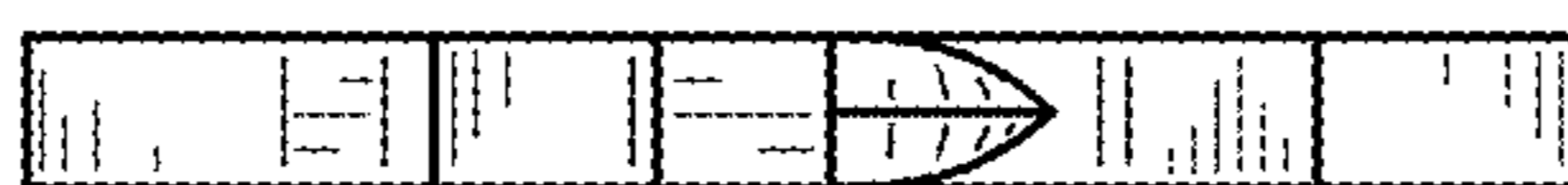


FIG. 7