



US00D773907S

(12) **United States Design Patent** (10) **Patent No.:** **US D773,907 S**
McCord et al. (45) **Date of Patent:** **** Dec. 13, 2016**

(54) **SIFTER DEVICE WITH STRAP**
(71) Applicants: **Jesse R. McCord**, Chico, CA (US);
Christa S. McCord, Chico, CA (US)
(72) Inventors: **Jesse R. McCord**, Chico, CA (US);
Christa S. McCord, Chico, CA (US)
(**) Term: **14 Years**
(21) Appl. No.: **29/513,419**
(22) Filed: **Dec. 30, 2014**
(51) **LOC (10) Cl.** **08-01**
(52) **U.S. Cl.**
USPC **D8/1**
(58) **Field of Classification Search**
USPC D8/1; D7/667; D30/161
CPC F24B 15/007; F24B 15/08; C22B 11/10;
A01K 1/0117; A01K 1/0107; A01K
1/0121; A01K 1/0114; A01K 1/035
See application file for complete search history.

D398,663 S * 9/1998 Frelander D21/532
D404,854 S * 1/1999 Howarth D30/161
D408,599 S * 4/1999 Vice D30/161
5,893,336 A * 4/1999 Vice A01K 1/0114
119/166
D512,284 S * 12/2005 Massey D8/1
D549,314 S * 8/2007 Wennerstrom D23/365
D620,325 S * 7/2010 D'Andrea D7/667
D652,587 S * 1/2012 Matsuo D30/161
8,671,888 B1 * 3/2014 Lei A01K 1/0121
119/162
8,684,186 B2 4/2014 Westgard
D742,705 S * 11/2015 Harris D8/1
D744,302 S * 12/2015 Westgard D7/667
D752,399 S * 3/2016 Walsh D7/667
2006/0065203 A1 * 3/2006 Schmidt A01K 1/0114
119/161

* cited by examiner

Primary Examiner — Sheryl Lane
(74) *Attorney, Agent, or Firm* — Dennis A. DeBoo

(57) **CLAIM**

The ornamental design for a sifter device with strap, as shown and described.

DESCRIPTION

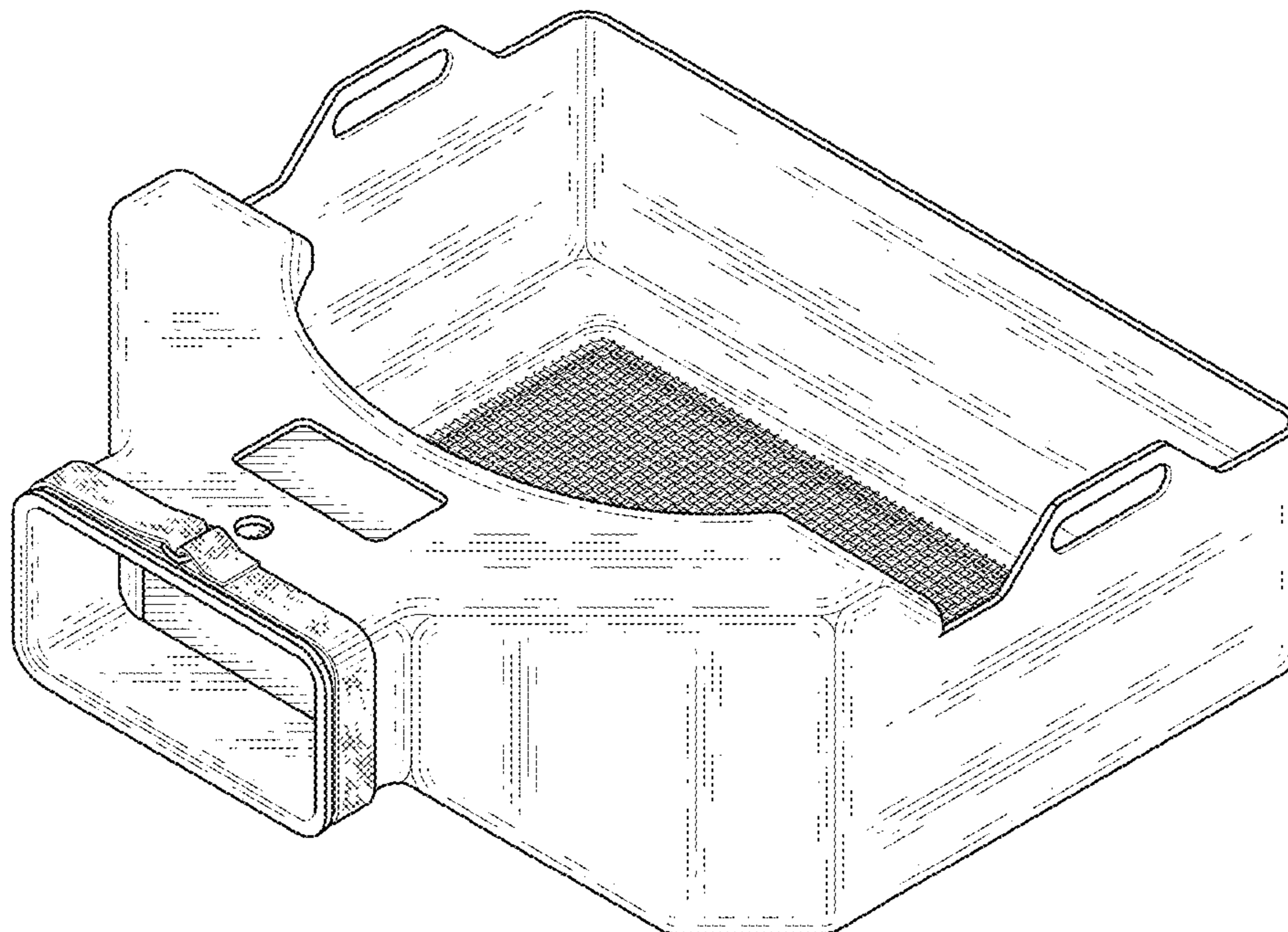
FIG. 1 is a front, side, and top perspective view of a sifter device with strap, showing the new design;
FIG. 2 is a top view thereof;
FIG. 3 is a front view thereof;
FIG. 4 is a rear perspective view thereof;
FIG. 5 is a left side view thereof;
FIG. 6 is a right side view thereof; and,
FIG. 7 is a bottom view thereof.

1 Claim, 3 Drawing Sheets

(56) **References Cited**

U.S. PATENT DOCUMENTS

366,492 A 7/1887 Maguire
1,593,447 A 7/1926 Friedman
D219,530 S * 12/1970 Billings, Jr. D15/28
D252,367 S * 7/1979 Freedman D7/388
D254,765 S * 4/1980 Benia D7/388
4,222,866 A 9/1980 Wilson
D258,558 S * 3/1981 Freedman D7/667
D363,369 S * 10/1995 Hoth D30/161
5,622,266 A 4/1997 Curtis
5,624,038 A 4/1997 Curtis
D397,280 S * 8/1998 Schorr D8/1



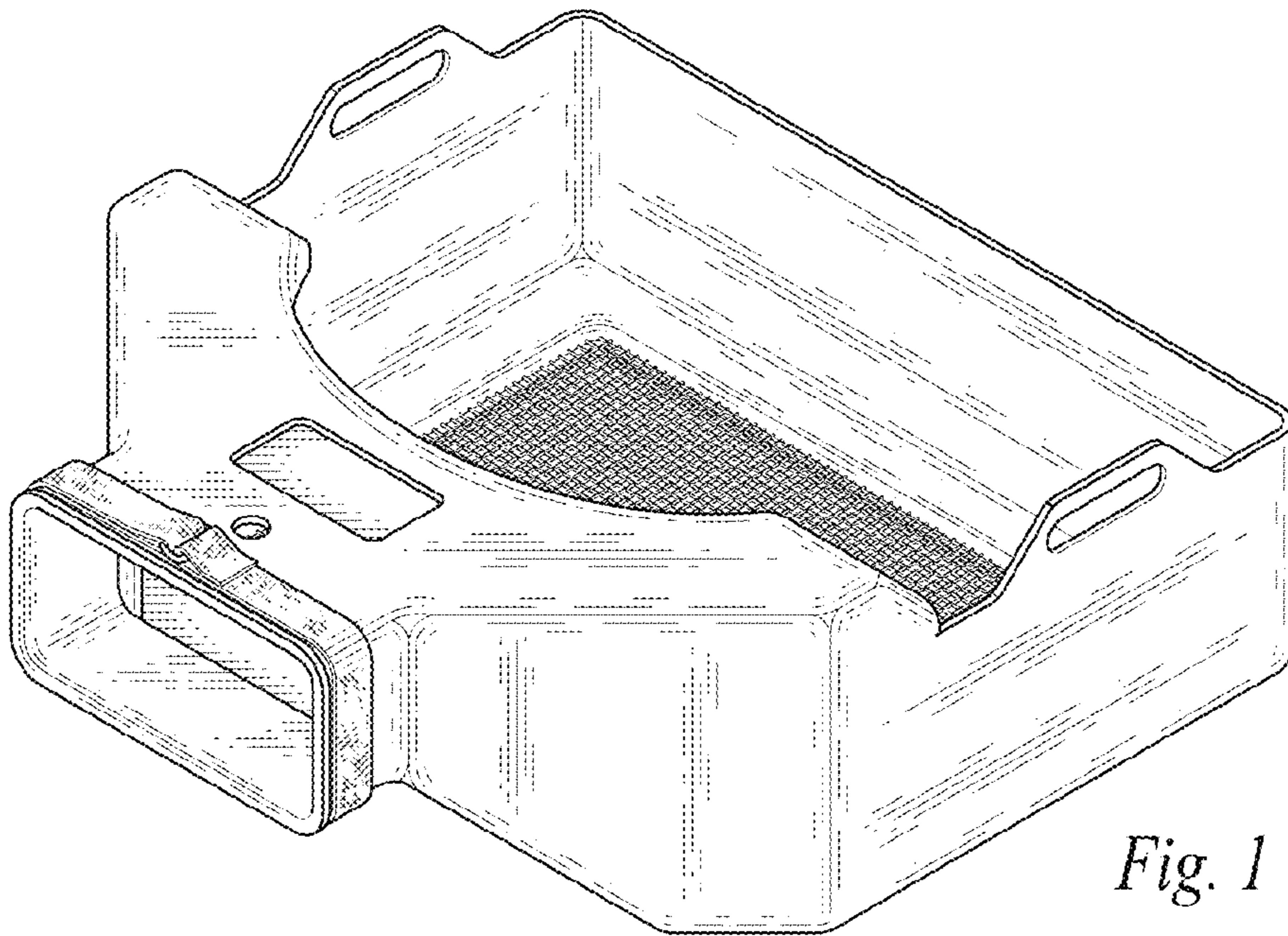


Fig. 1

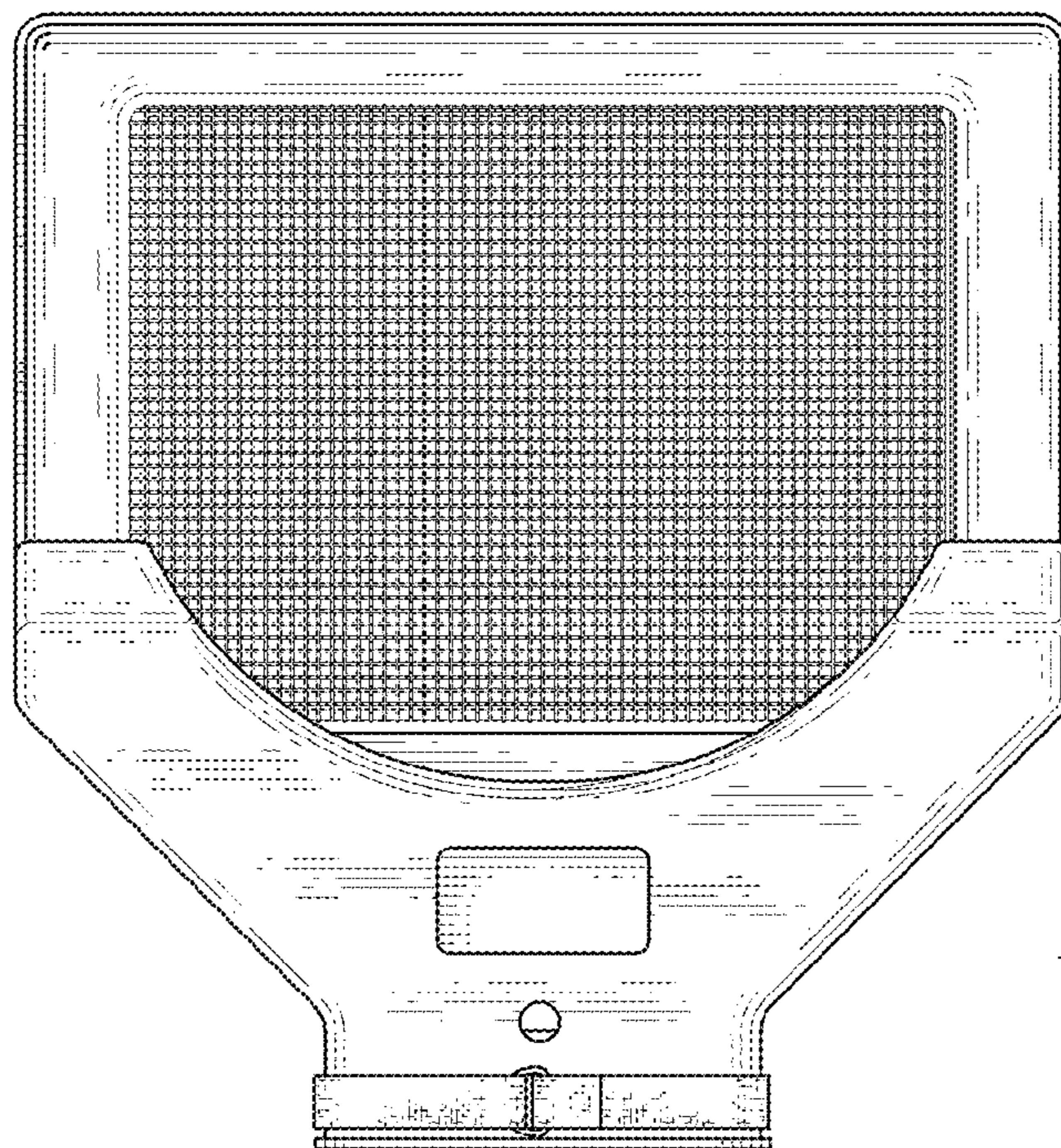


Fig. 2

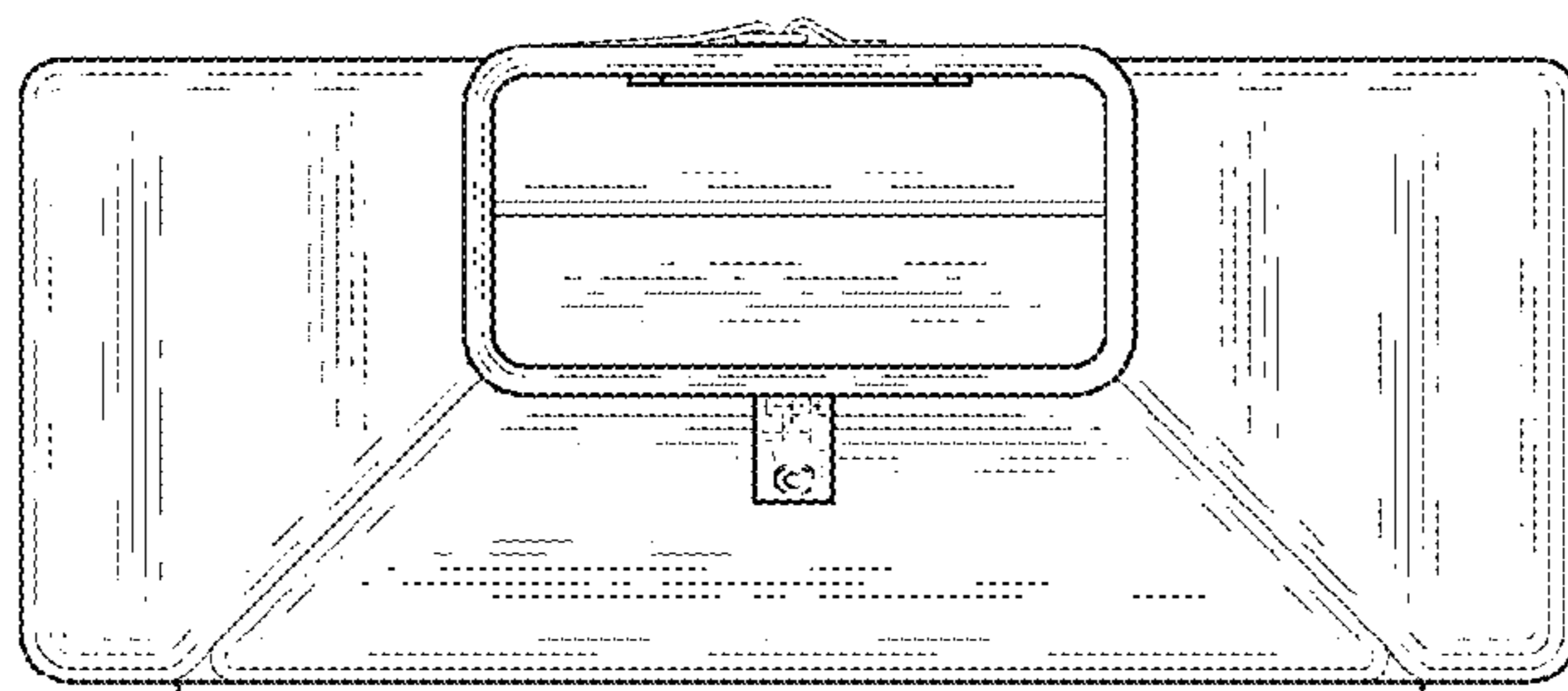


Fig. 3

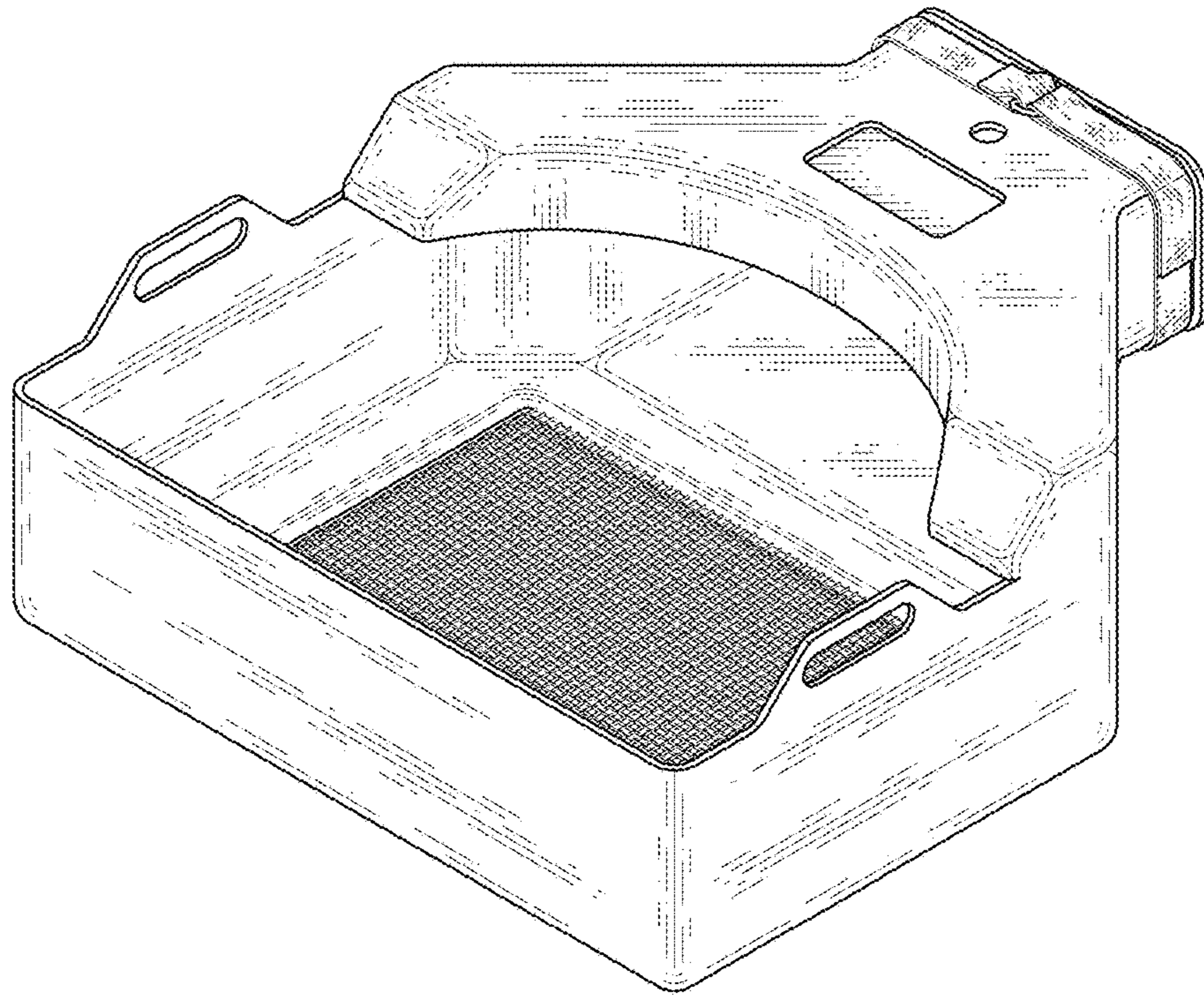


Fig. 4

Fig. 5

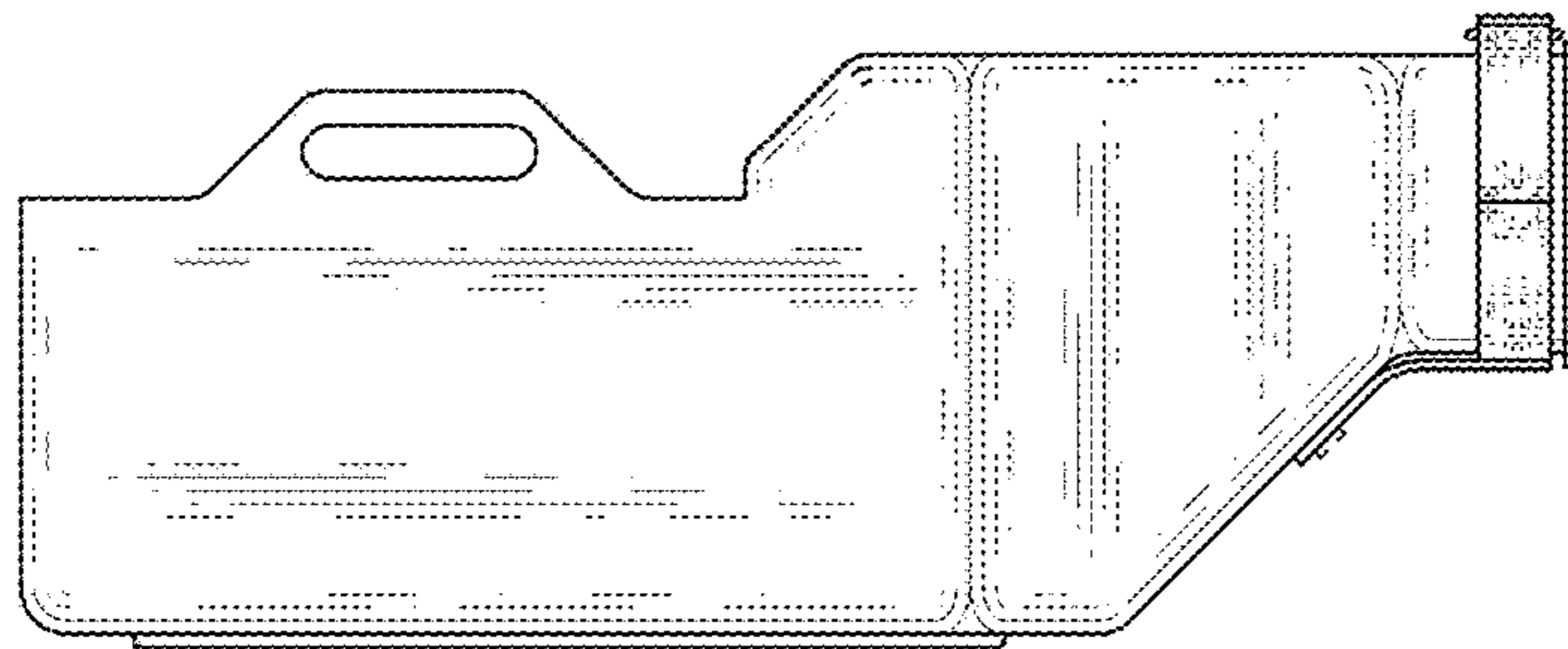
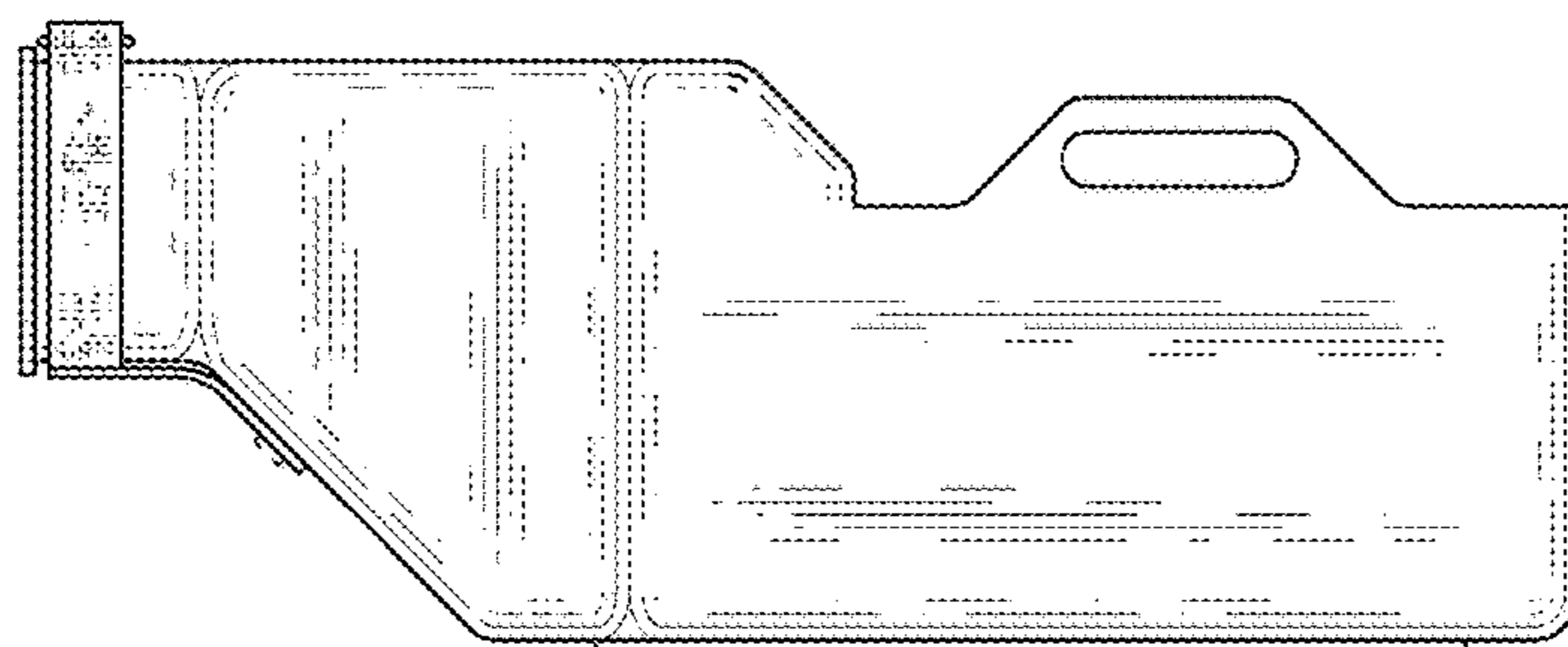


Fig. 6



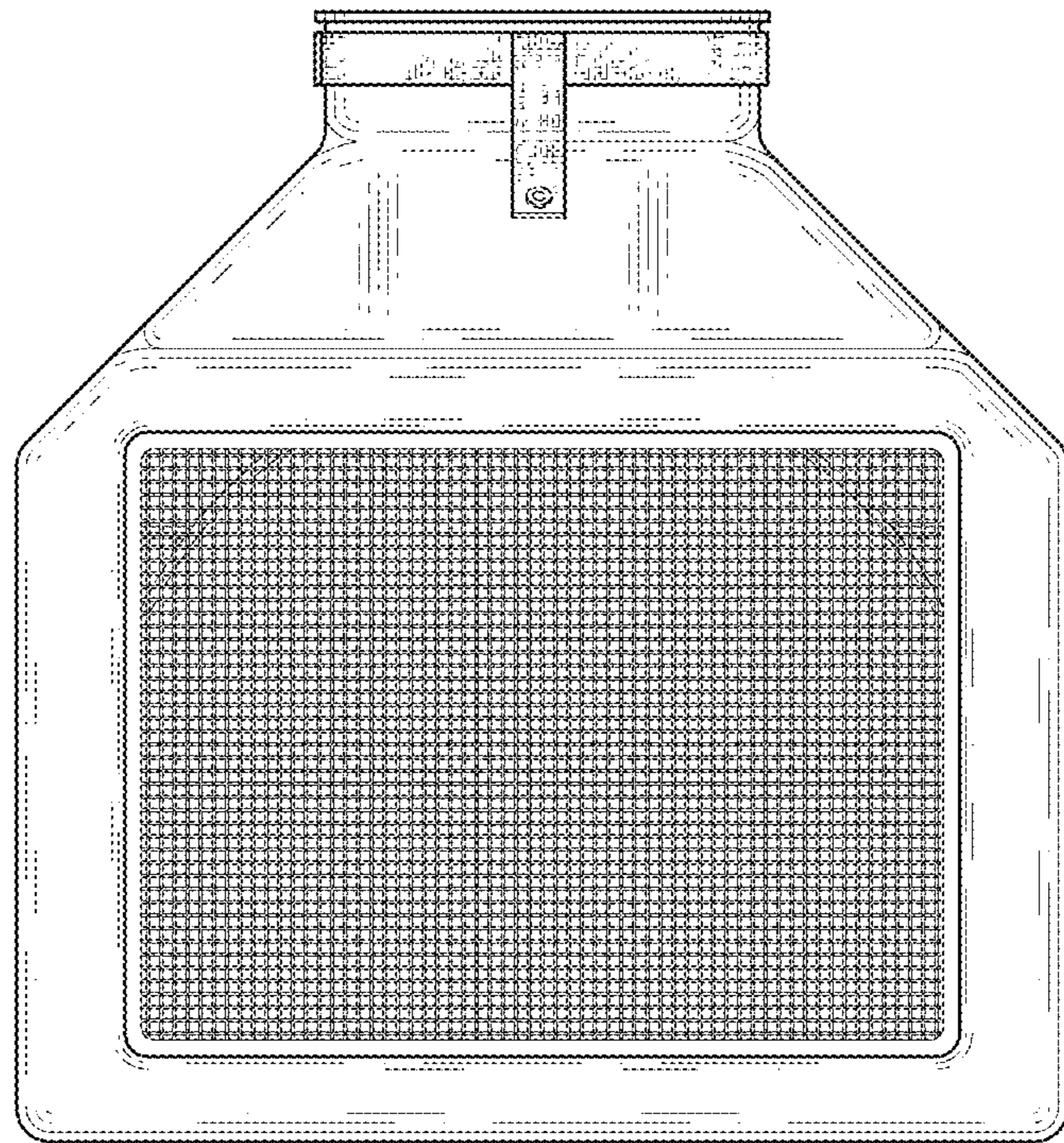


Fig. 7