



US00D773905S

(12) **United States Design Patent**  
**Dichraff et al.**

(10) **Patent No.: US D773,905 S**  
(45) **Date of Patent: \*\* Dec. 13, 2016**

(54) **FOOD CUTTER**

(71) Applicant: **Hy Cite Enterprises, LLC**, Madison, WI (US)

(72) Inventors: **Aric Dichraff**, Madison, WI (US);  
**Craig Stevenson**, Madison, WI (US);  
**Morad Ghassamian**, Glenview, IL (US);  
**William Cesaroni**, Glenview, IL (US)

(73) Assignee: **Hy Cite Enterprises, LLC**, Madison, WI (US)

(\*\*) Term: **14 Years**

(21) Appl. No.: **29/511,688**

(22) Filed: **Dec. 12, 2014**

(51) **LOC (10) Cl. .... 07-06**

(52) **U.S. Cl.**  
USPC ..... **D7/693**

(58) **Field of Classification Search**  
USPC ..... D7/693, 368, 384, 385, 372, 672,  
673, D7/678, 669, 376, 383; D8/52;  
99/501-511; 241/82.1, 92; 366/279-292  
CPC ..... A47J 19/02; A47J 19/022; A47J 19/027;  
A47J 36/165; A47J 43/1025; A23N 1/003;  
B01F 13/1013; B01F 7/30; B01F 7/161;  
B01F 7/025; B01F 7/002; B01F 7/00175;  
B01F 7/00925; B02C 18/302; F25C 5/12;  
A01J 15/06  
See application file for complete search history.

(56) **References Cited**

**U.S. PATENT DOCUMENTS**

- 1,114,411 A \* 10/1914 Stuver ..... A47J 43/255  
241/101.01
- 2,145,421 A 1/1939 Jungbecker
- 3,376,910 A 4/1968 Popeil
- 3,527,277 A 9/1970 Woods
- 3,610,304 A 10/1971 Popeil et al.

- 4,081,145 A 3/1978 Moe et al.
- 4,213,570 A 7/1980 Jones
- 4,227,656 A 10/1980 Engebretsen
- D260,129 S 8/1981 Shun
- D260,351 S 8/1981 Shun
- D261,472 S 10/1981 Graham et al.
- D276,202 S 11/1984 Shun
- 5,289,760 A 3/1994 Barradas
- 5,970,860 A 10/1999 Yip

(Continued)

**OTHER PUBLICATIONS**

Florida QueensRP-YouTube, Andrea Legarreta te presenta la Royal Cutter de Royal Prestige, Dec. 9, 2015, [date visited Jan. 14, 2016], Available on the Internet: <<https://www.youtube.com/watch?v=f2dCmhHdCog>>.\*

(Continued)

*Primary Examiner* — Susan Bennett Hattan

*Assistant Examiner* — S. Bryan Reinholdt, Jr.

(74) *Attorney, Agent, or Firm* — Michael Best & Friedrich LLP

(57) **CLAIM**

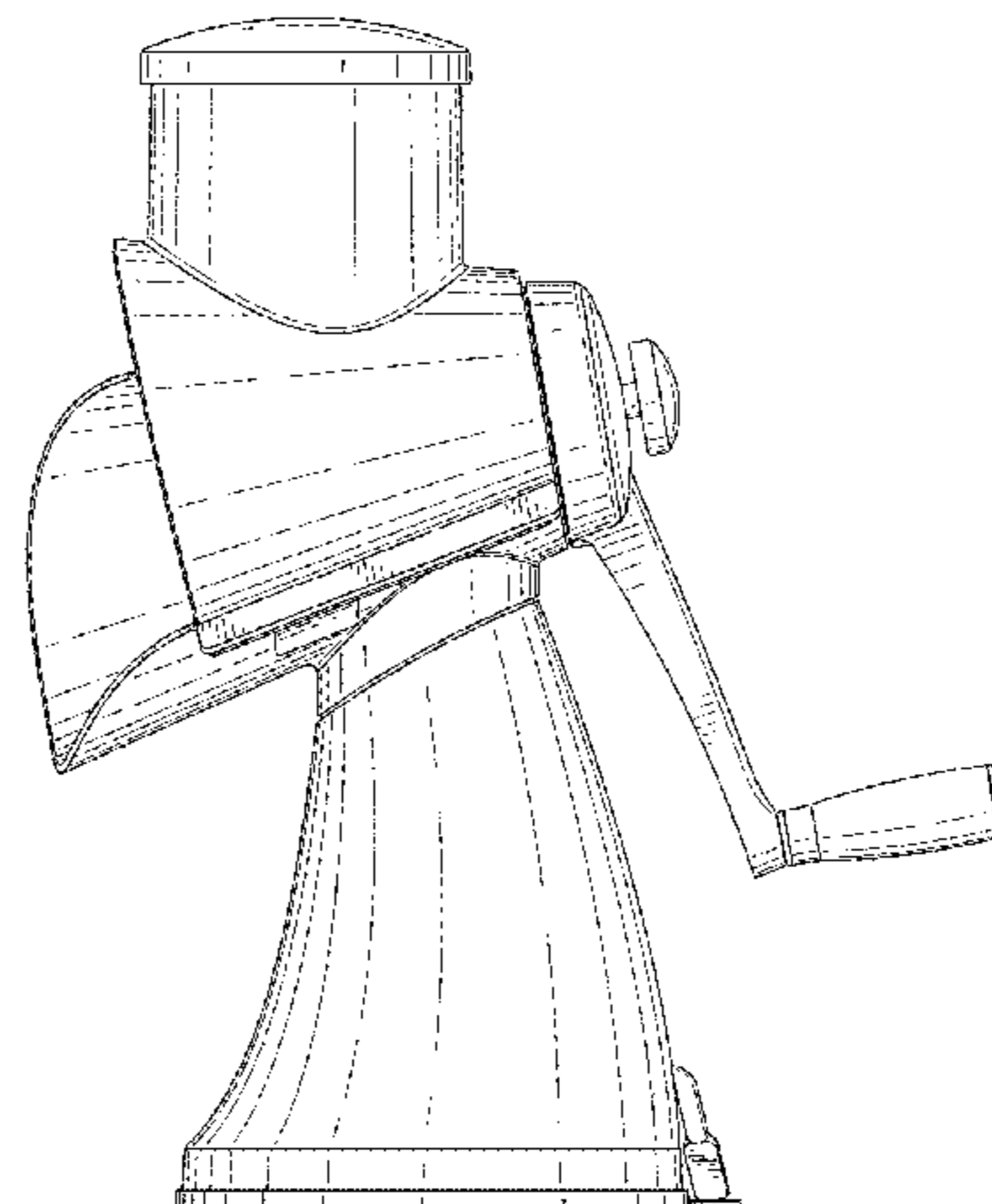
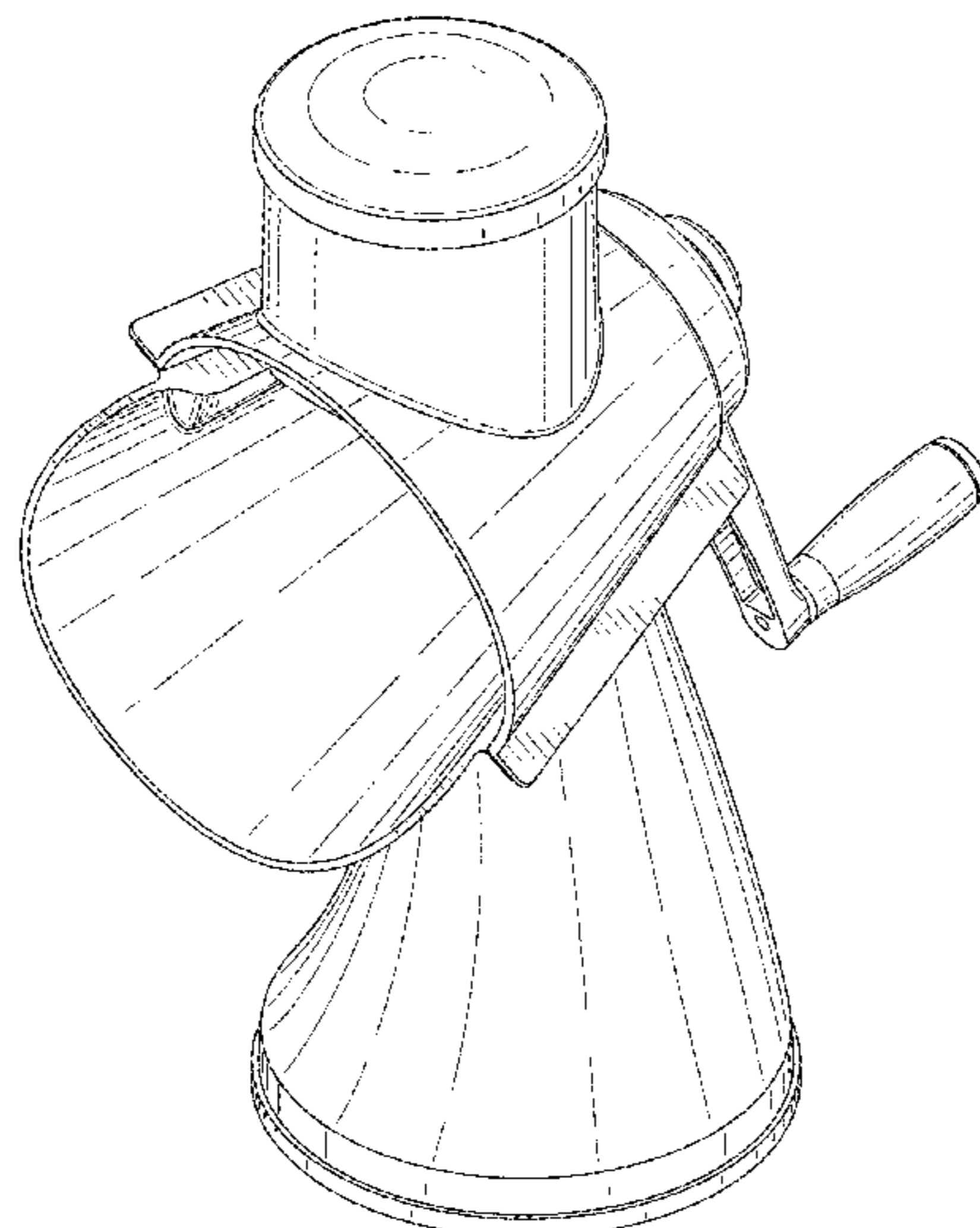
The ornamental design for a food cutter, as shown and described.

**DESCRIPTION**

FIG. 1 is a perspective view of a food cutter showing the new design;  
FIG. 2 is a right side view thereof;  
FIG. 3 is a left side view thereof;  
FIG. 4 is a front view thereof;  
FIG. 5 is a rear view thereof;  
FIG. 6 is a top view thereof; and,  
FIG. 7 is a bottom view thereof.

The broken line portion of the figure drawings is included to show unclaimed subject matter only and forms no part of the claimed design.

**1 Claim, 5 Drawing Sheets**



(56)

References Cited

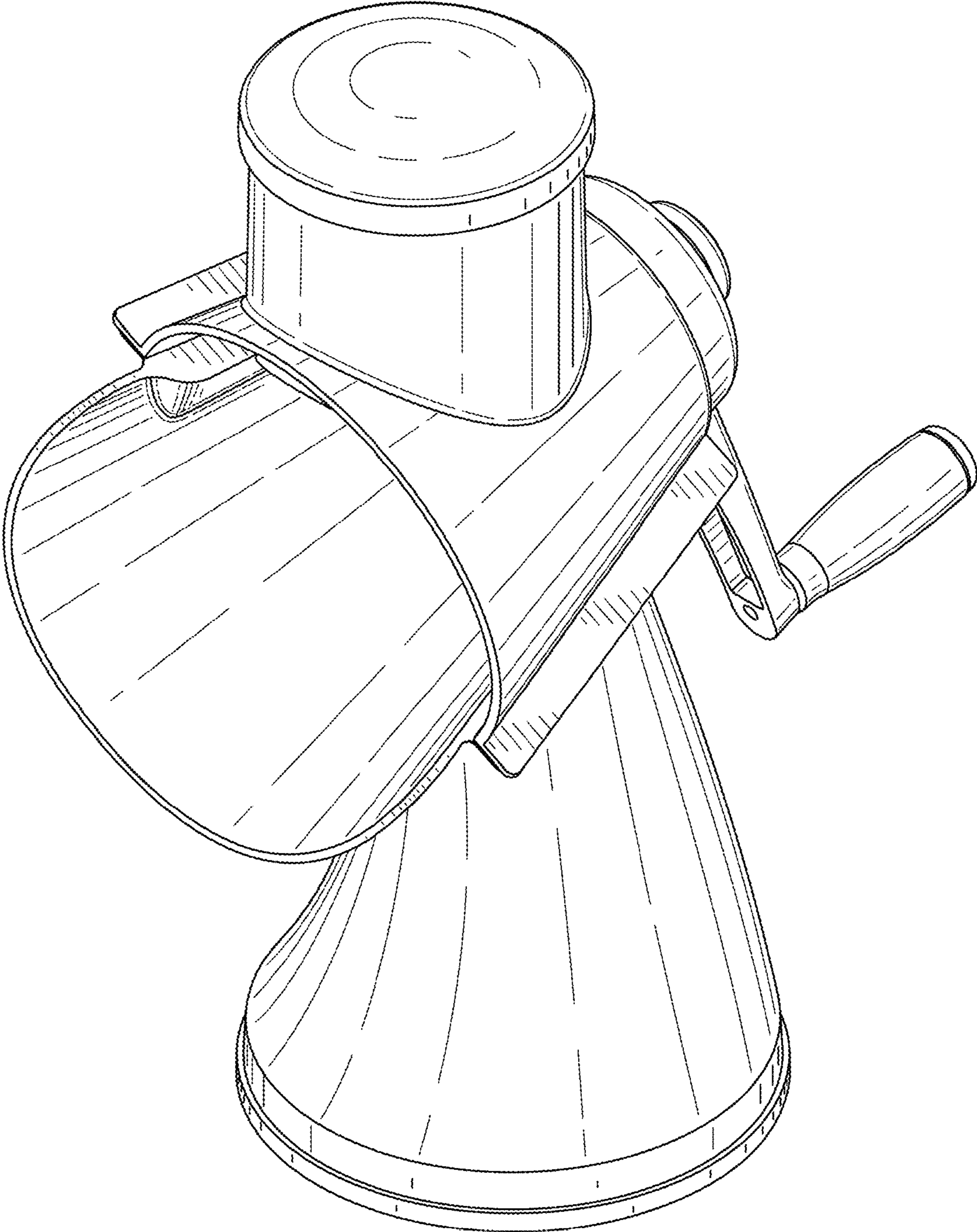
OTHER PUBLICATIONS

U.S. PATENT DOCUMENTS

D507,455 S 7/2005 Bertulis  
 D543,774 S 6/2007 Rohrer  
 7,337,997 B2 3/2008 Ko  
 7,520,453 B2 4/2009 Clapp et al.  
 D597,785 S \* 8/2009 Rohrer ..... D7/381  
 7,568,646 B2 8/2009 Lin  
 7,637,445 B2 12/2009 So et al.  
 D610,397 S 2/2010 Rohrer  
 D614,458 S 4/2010 Chan  
 D615,373 S 5/2010 Chan  
 D619,848 S 7/2010 Rohrer  
 D641,596 S \* 7/2011 Chan ..... D7/673  
 D641,597 S \* 7/2011 Tang ..... D7/678  
 D680,390 S 4/2013 Dichraff et al.  
 D680,391 S 4/2013 Dichraff et al.  
 D680,392 S 4/2013 Dichraff et al.  
 D680,822 S 4/2013 Dichraff et al.

NutraEase, NutraEaseNutraEase Cutter, Publication date unknown, [date visited Jan. 14, 2016], Available on the Internet URL: <<http://nutraease.com/Products/NutraEase/Cookware/Individual-Pieces/Code-PR4100/NutraEase-Cutter.aspx>>.\*  
 Royal Prestige, Royal Cutter, Publication date unknown, [date visited Jan. 14, 2016]. Available on the Internet URL:<<http://www.royalprestige.com/Products/Accessories>>.\*  
 United States Patent Office Notice of Allowance for U.S. Appl. No. 29/422,075 dated Dec. 10, 2012 (7 pages).  
 United States Patent Office Notice of Allowance for U.S. Appl. No. 29/422,078 dated Dec. 10, 2012 (7 pages).  
 United States Patent Office Notice of Allowance for U.S. Appl. No. 29/422,079 dated Dec. 17, 2012 (7 pages).  
 United States Patent Office Notice of Allowance for U.S. Appl. No. 29/422,082 dated Jan. 14, 2013 (7 pages).

\* cited by examiner

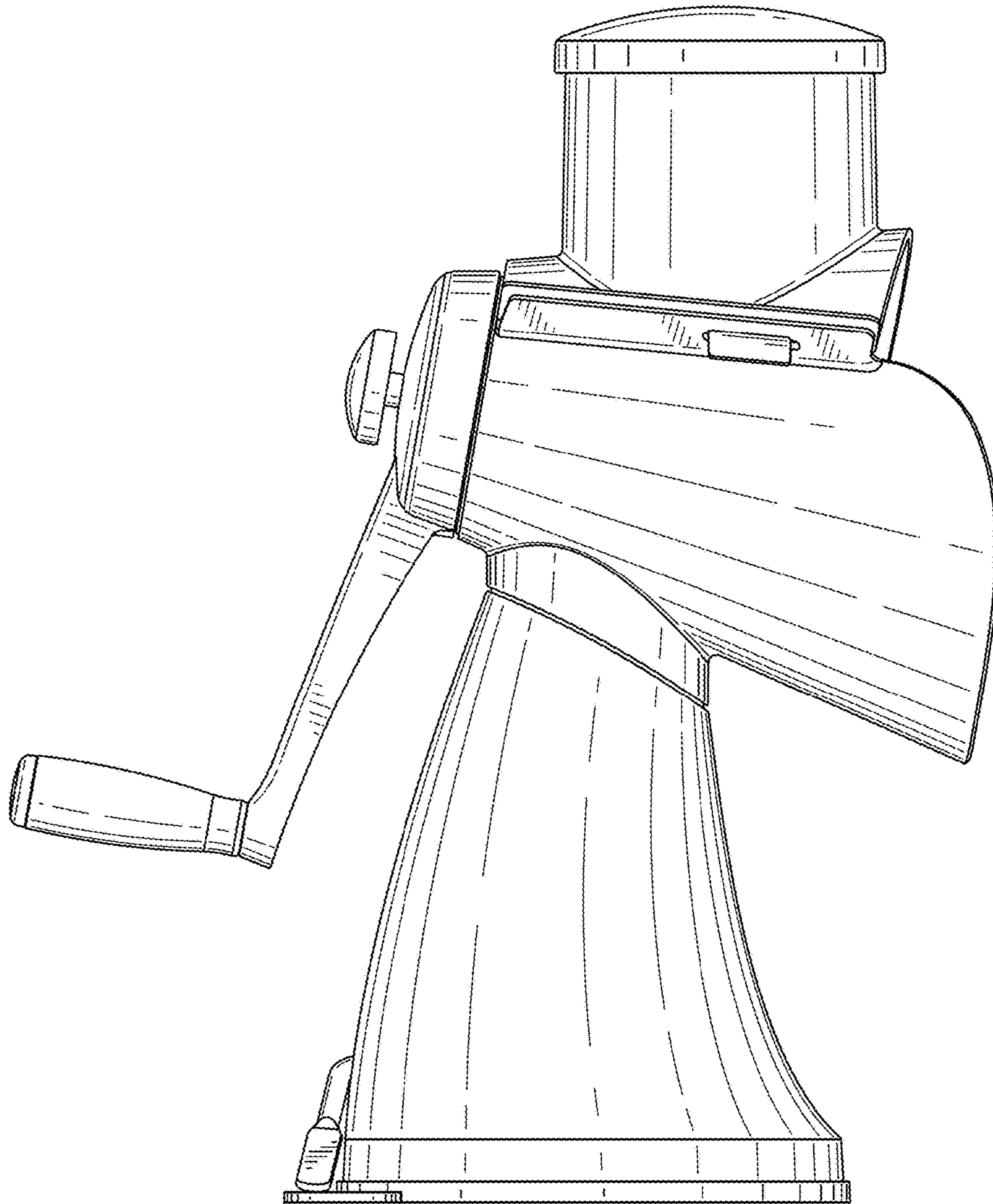


**FIG. 1**

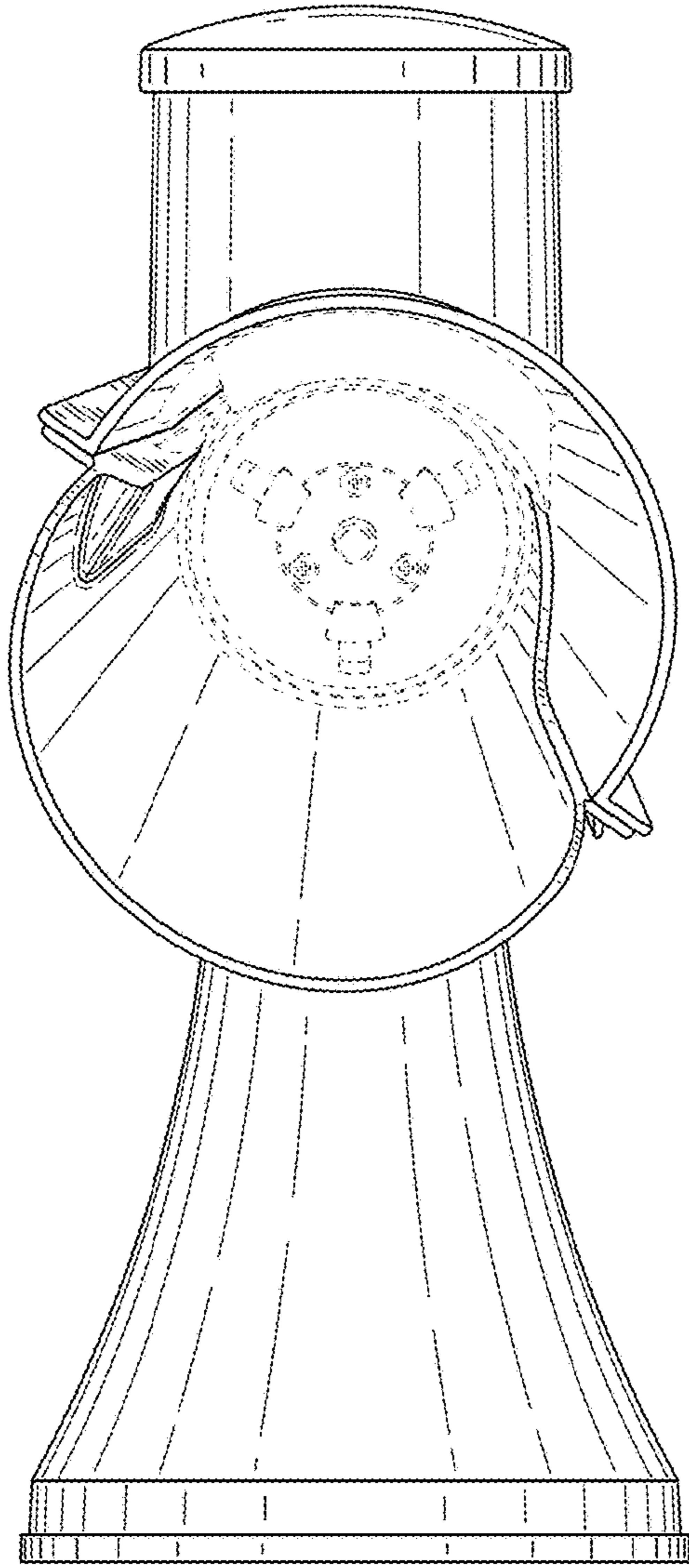




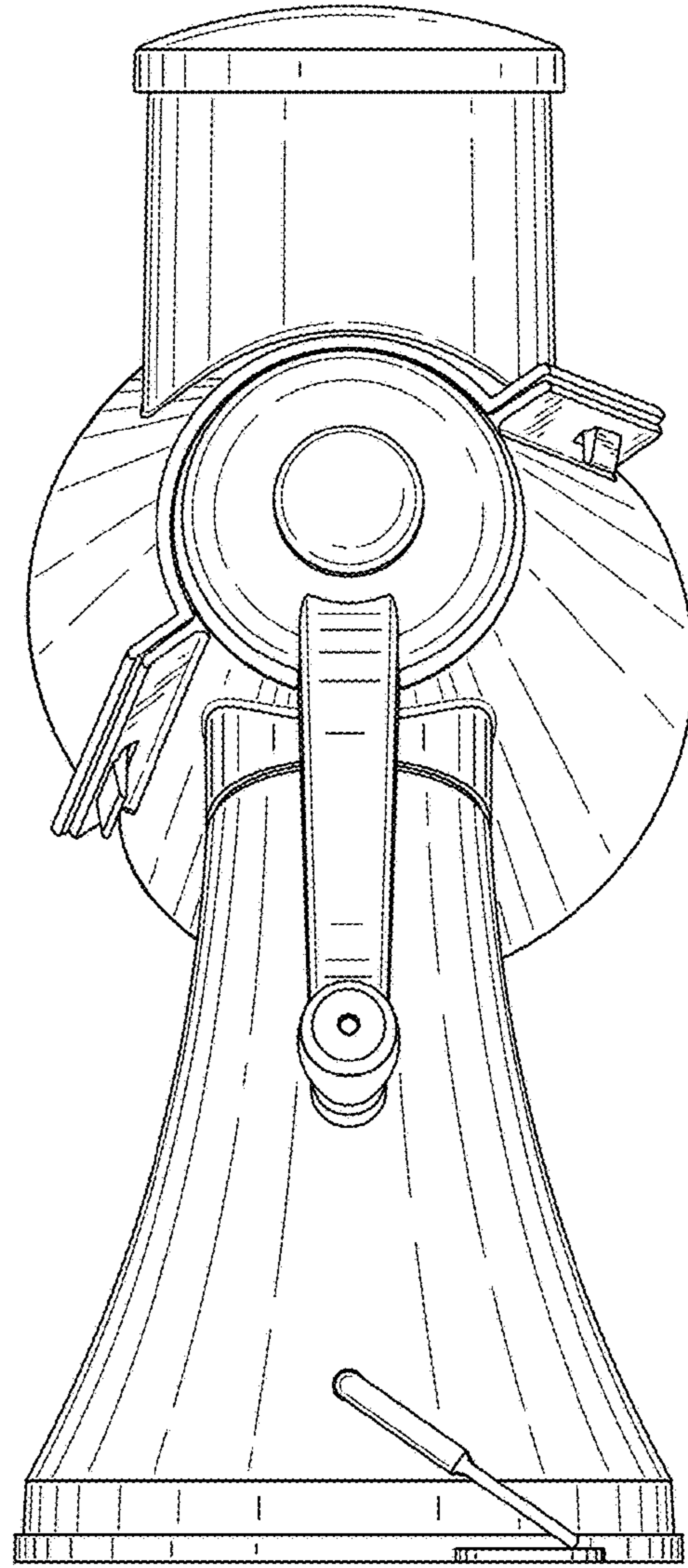
**FIG. 2**



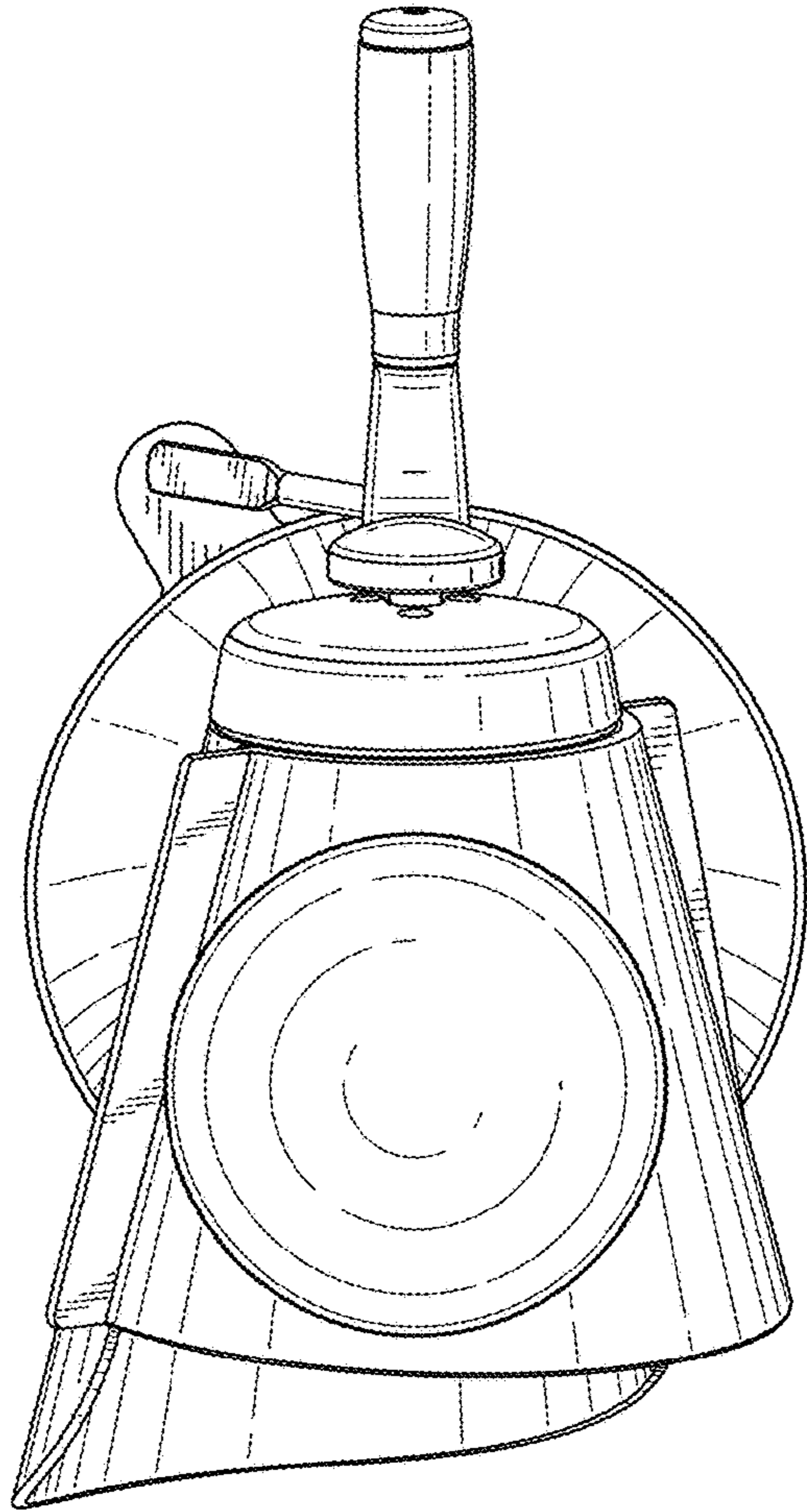
**FIG. 3**



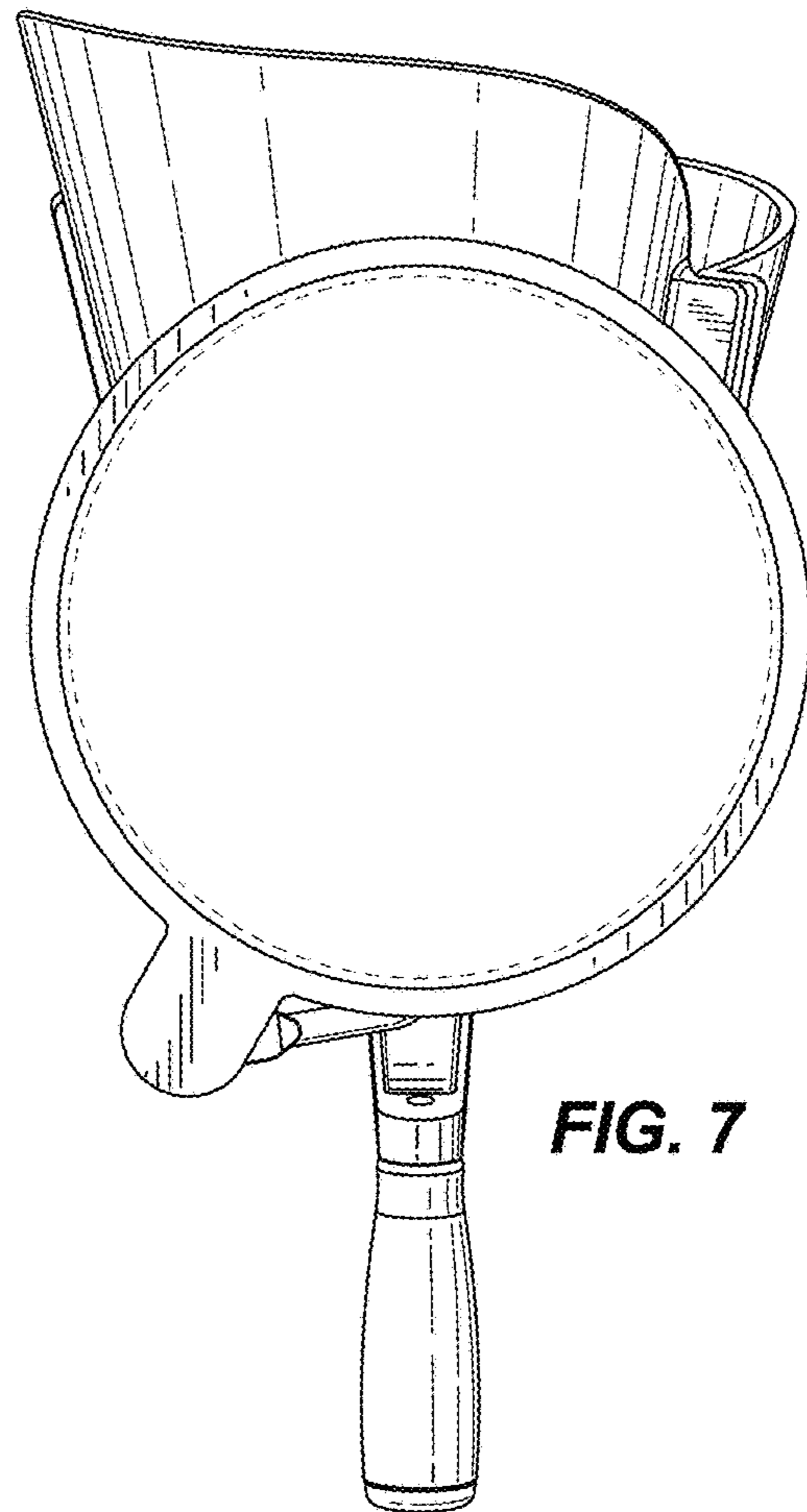
**FIG. 4**



**FIG. 5**



**FIG. 6**



**FIG. 7**