



US00D773901S

(12) **United States Design Patent**
Marret

(10) **Patent No.:** **US D773,901 S**

(45) **Date of Patent:** **** Dec. 13, 2016**

(54) **CONTAINER WITH TWO LATCHES**

(71) Applicant: **MON BENTO**, Clermont-Ferrand (FR)

(72) Inventor: **Fabien Marret**, Central (HK)

(73) Assignee: **MON BENTO**, Clermont-Ferrand (FR)

(**) Term: **14 Years**

(21) Appl. No.: **29/512,401**

(22) Filed: **Dec. 18, 2014**

(30) **Foreign Application Priority Data**

Jun. 20, 2014 (EM) 002487033-0001

(51) **LOC (10) Cl.** **07-01**

(52) **U.S. Cl.**
USPC **D7/629**

(58) **Field of Classification Search**
USPC D7/629, 602, 630, 538-542, 601;
D9/415-419, 424-432
CPC ... B65D 1/26; B65D 43/0206; B65D 43/0214;
B65D 43/00; B65D 1/00; B65D
1/22; B65D 1/32; B65D 1/14; B65D 1/24;
B65D 1/34; B65D 3/00; B65D
3/02; B65D 3/28; B65D 5/00; B65D
5/0085; B65D 5/009; B65D 5/18; B65D
7/00; B65D 7/02; B65D 11/00; B65D
11/02; B65D 11/10; B65D 39/00; A47J
47/02; A47J 47/08; A47J 47/10; A47G
19/00; A47G 19/32

See application file for complete search history.

(56) **References Cited**

U.S. PATENT DOCUMENTS

D115,160 S * 6/1939 Stopa D15/89
D163,649 S * 6/1951 Smoot D28/8

D269,249 S * 6/1983 Cillario D9/424
D269,313 S * 6/1983 Swett D7/505
D345,305 S * 3/1994 Host D9/423
D418,749 S * 1/2000 Chang D7/602
D481,910 S * 11/2003 Kim D7/629
D526,857 S * 8/2006 Littmann D7/629
D527,227 S * 8/2006 Bertulis D7/629
D534,423 S * 1/2007 Tanner D9/426
D547,130 S * 7/2007 de Groote D7/609
D563,174 S * 3/2008 O'Neil D7/360
D566,484 S * 4/2008 George D3/294
D577,549 S * 9/2008 Plante D7/538
D600,979 S * 9/2009 Chen D7/538
D601,383 S * 10/2009 Shah D7/538
D608,592 S * 1/2010 Curtin D7/392.1
D617,149 S * 6/2010 Olivari D7/629
D623,515 S * 9/2010 Gordon D9/432
D628,021 S * 11/2010 Curtin D7/629

(Continued)

Primary Examiner — Ian Simmons

Assistant Examiner — Shannon Morgan

(74) *Attorney, Agent, or Firm* — Stephen J. Weyer, Esq.;
Stites & Harbison, PLLC.

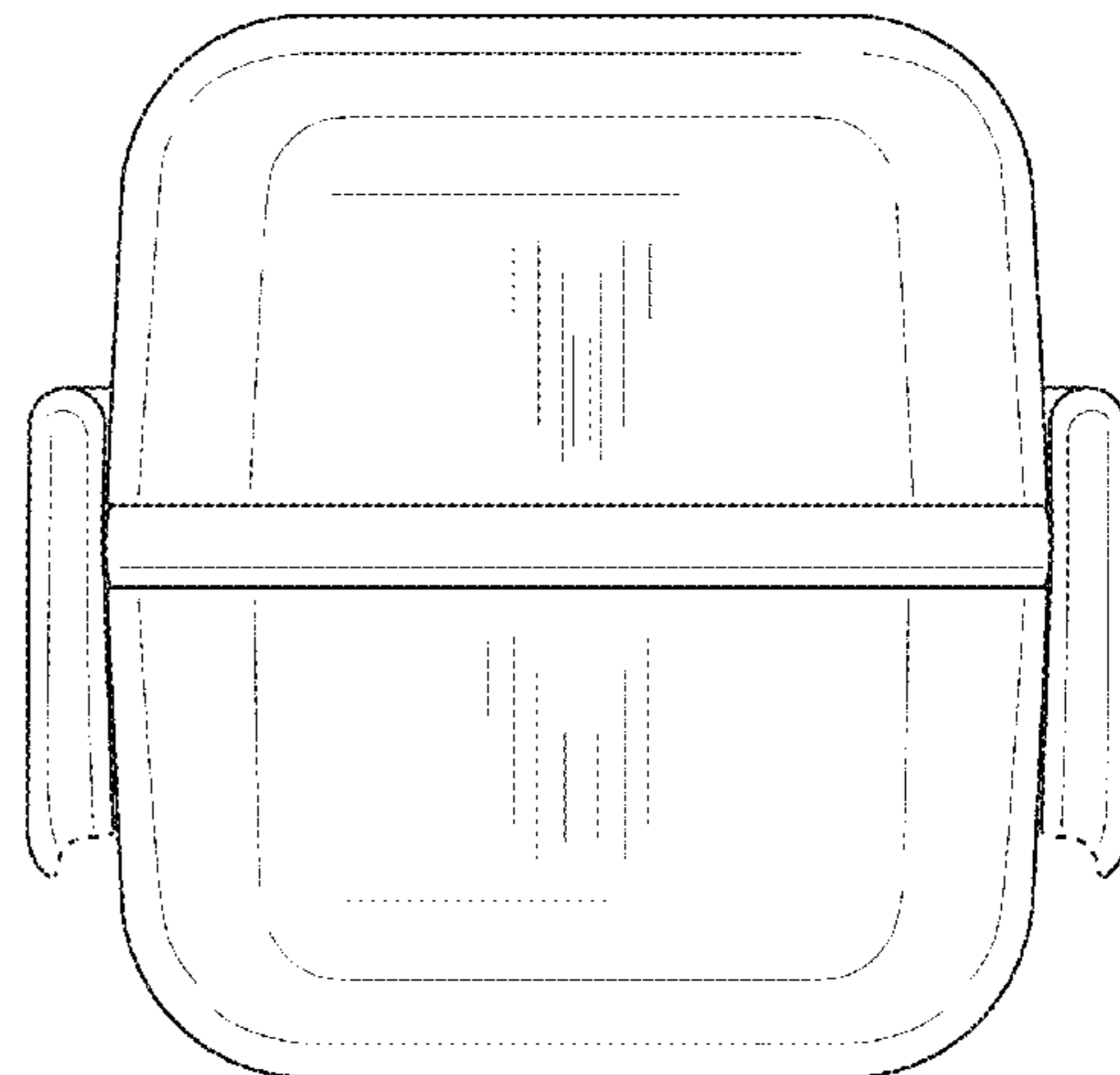
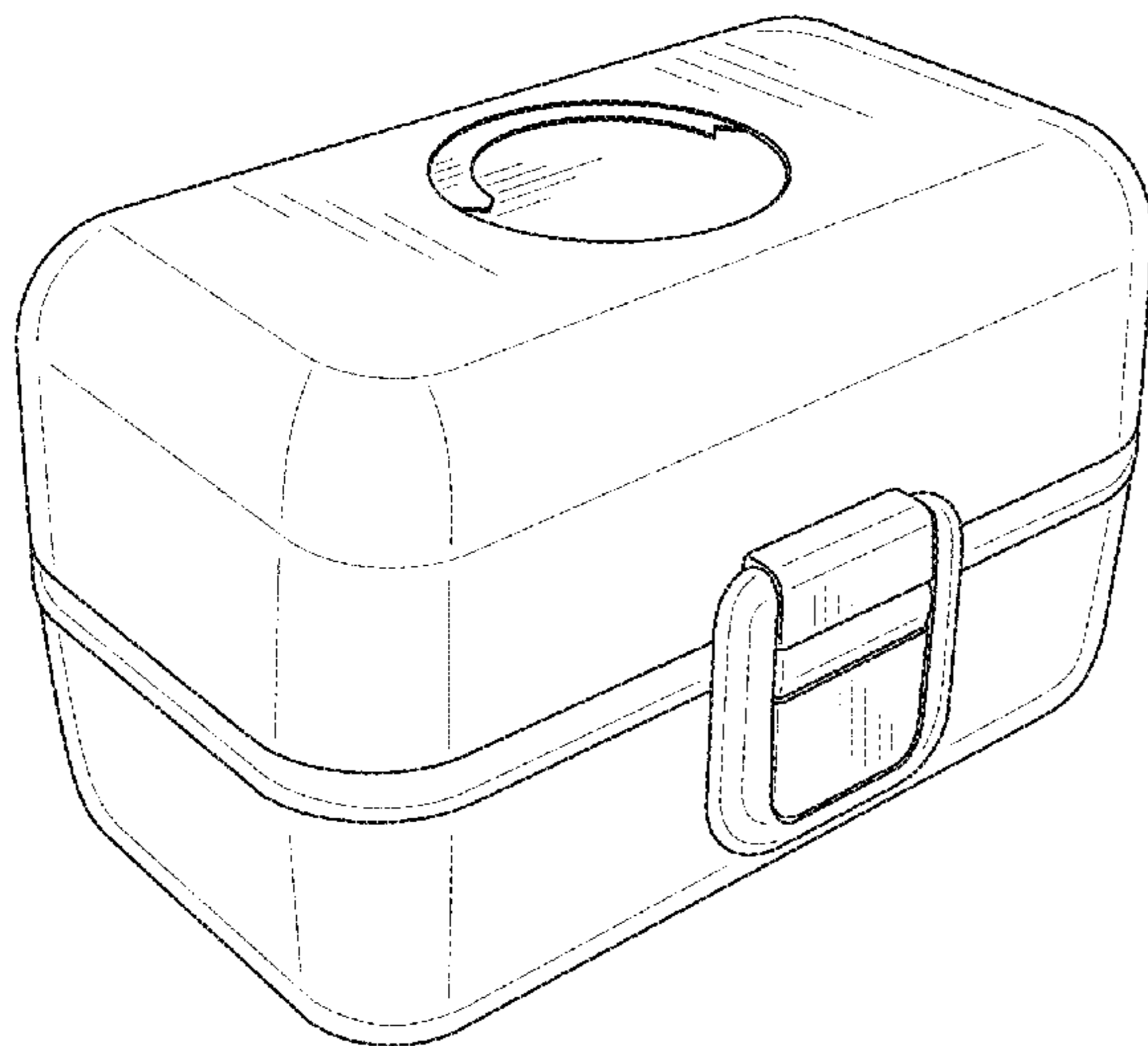
(57) **CLAIM**

The ornamental design for a container with two latches, as shown and described.

DESCRIPTION

FIG. 1 is a top, front, left perspective view of a container with two latches showing my new design;
FIG. 2 is a front elevational view; the rear elevational view being an identical mirror image thereof;
FIG. 3 is a left side elevational view; the right side elevational view being an identical mirror image thereof;
FIG. 4 is a top plan view thereof; and,
FIG. 5 is a bottom plan view thereof.
The broken lines shown in FIGS. 3 and 5 and area within the broken line rounded rectangle in FIG. 5 represent portions of the article that form no part of the claimed design.

1 Claim, 5 Drawing Sheets



(56)

References Cited

U.S. PATENT DOCUMENTS

D642,868	S	*	8/2011	Shah	D7/538
D649,407	S	*	11/2011	Neuhaus	D7/609
D651,476	S	*	1/2012	Hauser	D7/629
D653,915	S	*	2/2012	George	D7/629
D660,092	S	*	5/2012	Kyung	D7/629
D688,920	S	*	9/2013	Manley	D7/629
D692,281	S	*	10/2013	George	D7/629
D708,913	S	*	7/2014	Ng	D7/629
D733,503	S	*	7/2015	Bagley	D7/629
D736,569	S	*	8/2015	Bronwasser	D7/629
D741,114	S	*	10/2015	Weernink	D7/629
D741,665	S	*	10/2015	Bagley	D7/629
D743,751	S	*	11/2015	Stokke	D7/629
2006/0124648	A1	*	6/2006	Croft	B65D 1/24 220/521

* cited by examiner

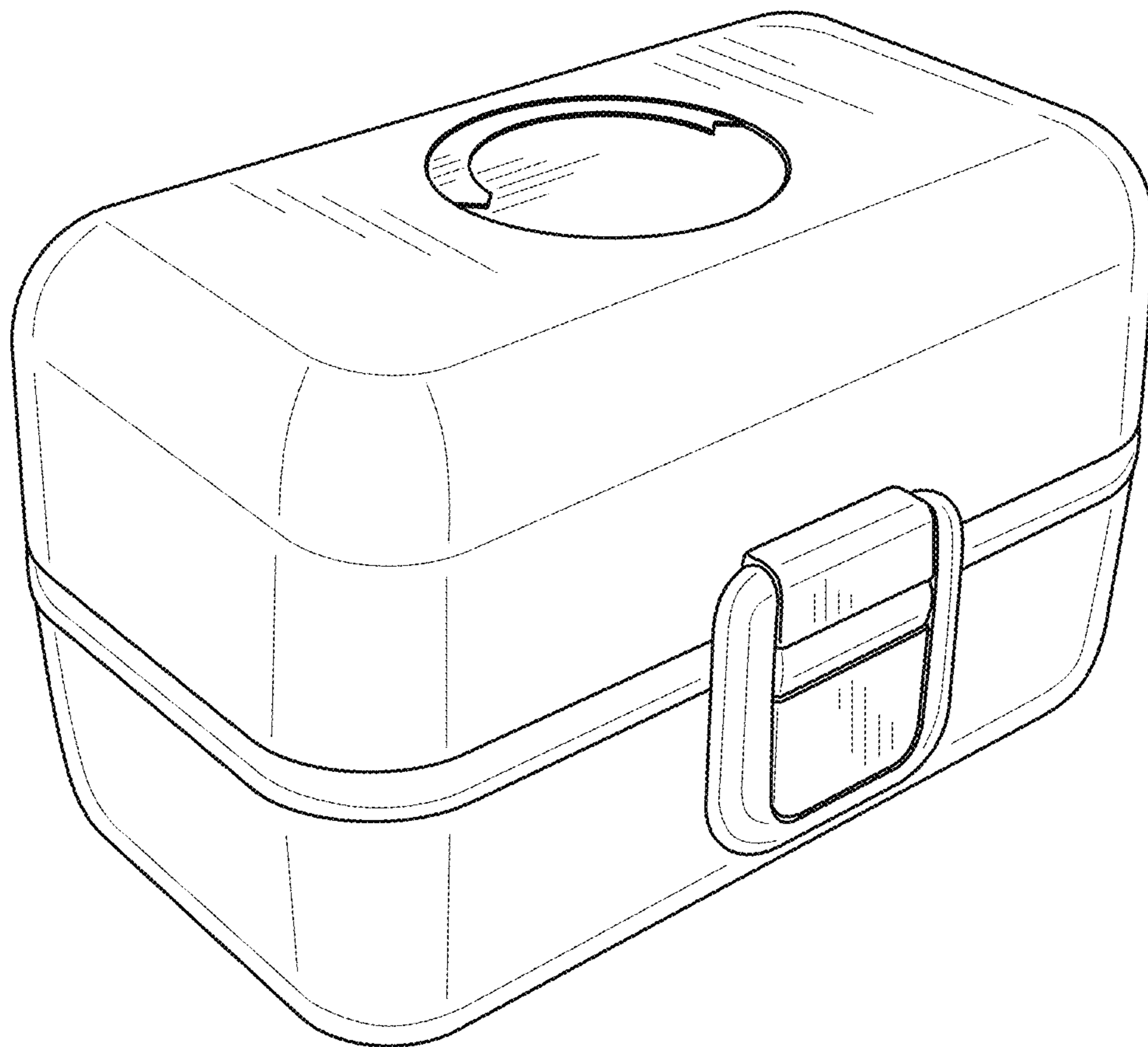


FIG. 1

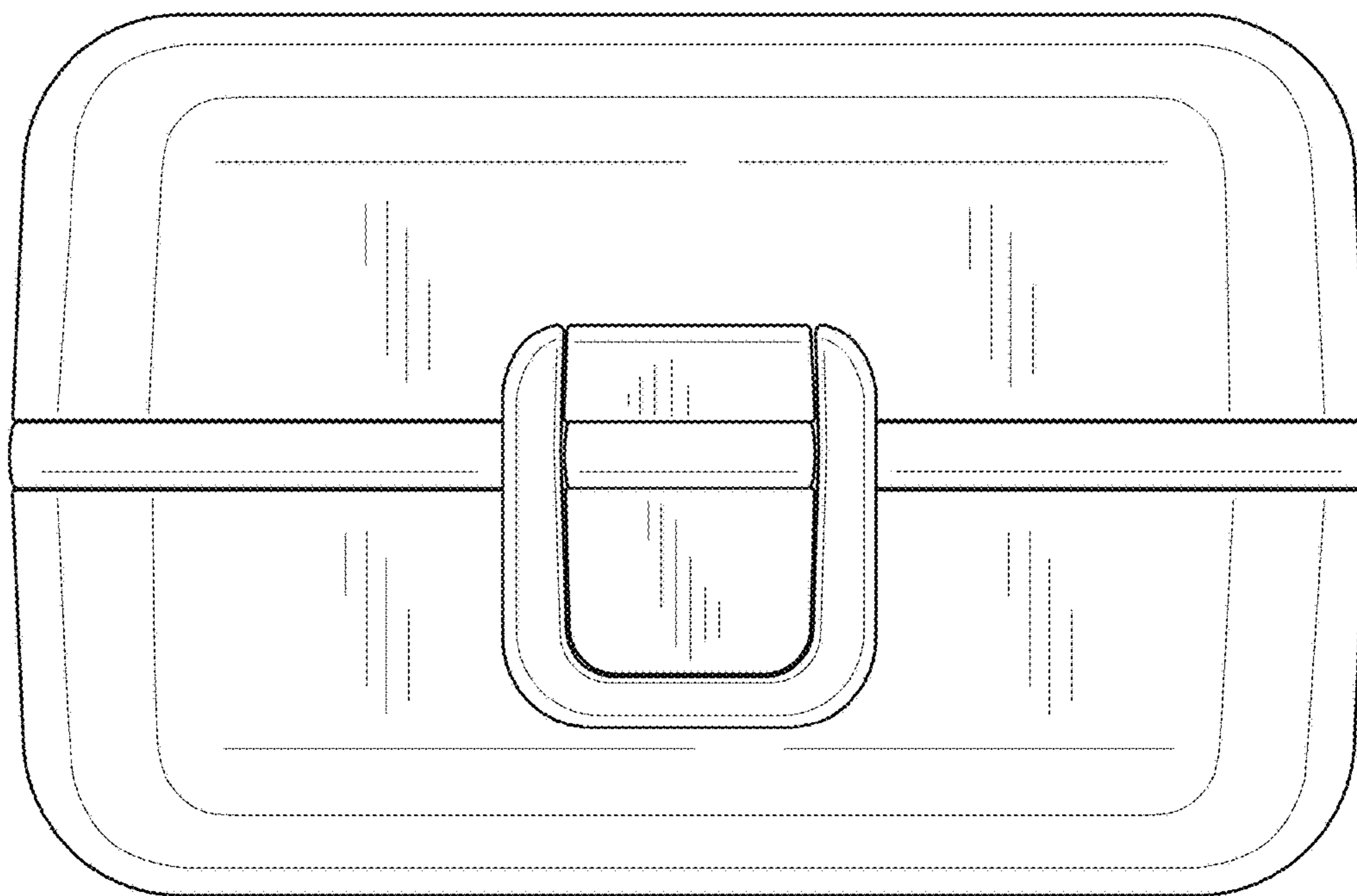


FIG. 2

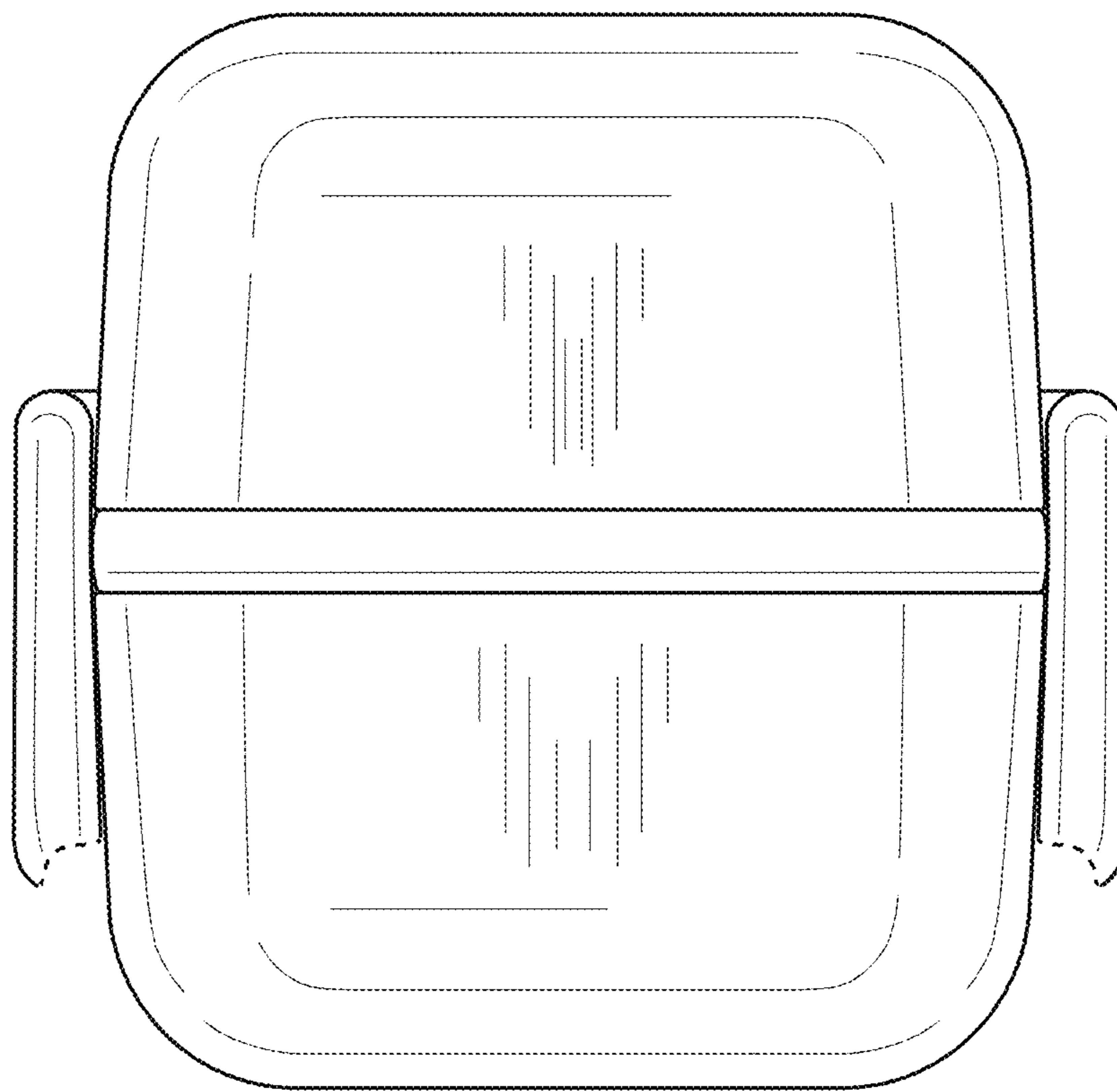


FIG. 3

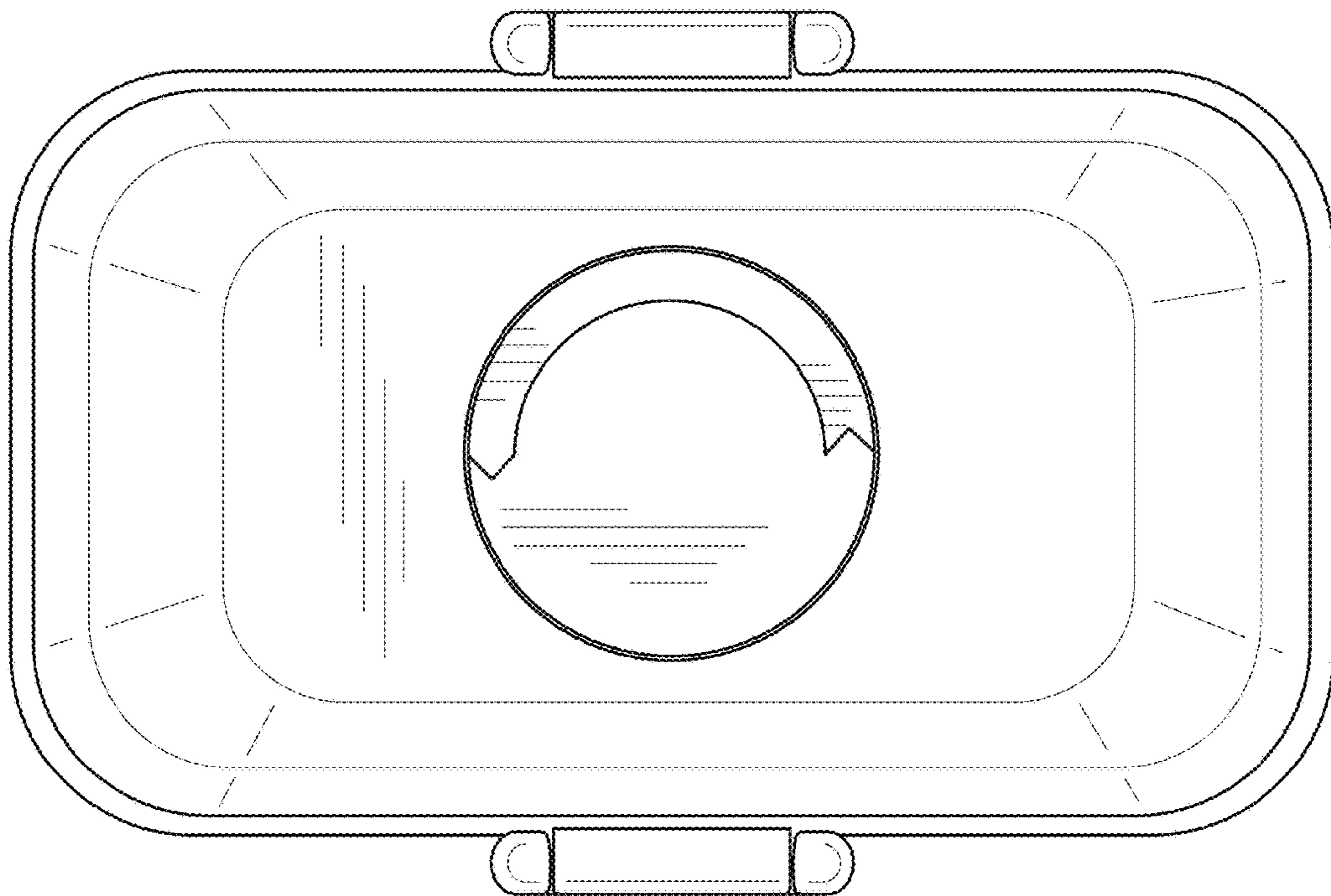


FIG. 4

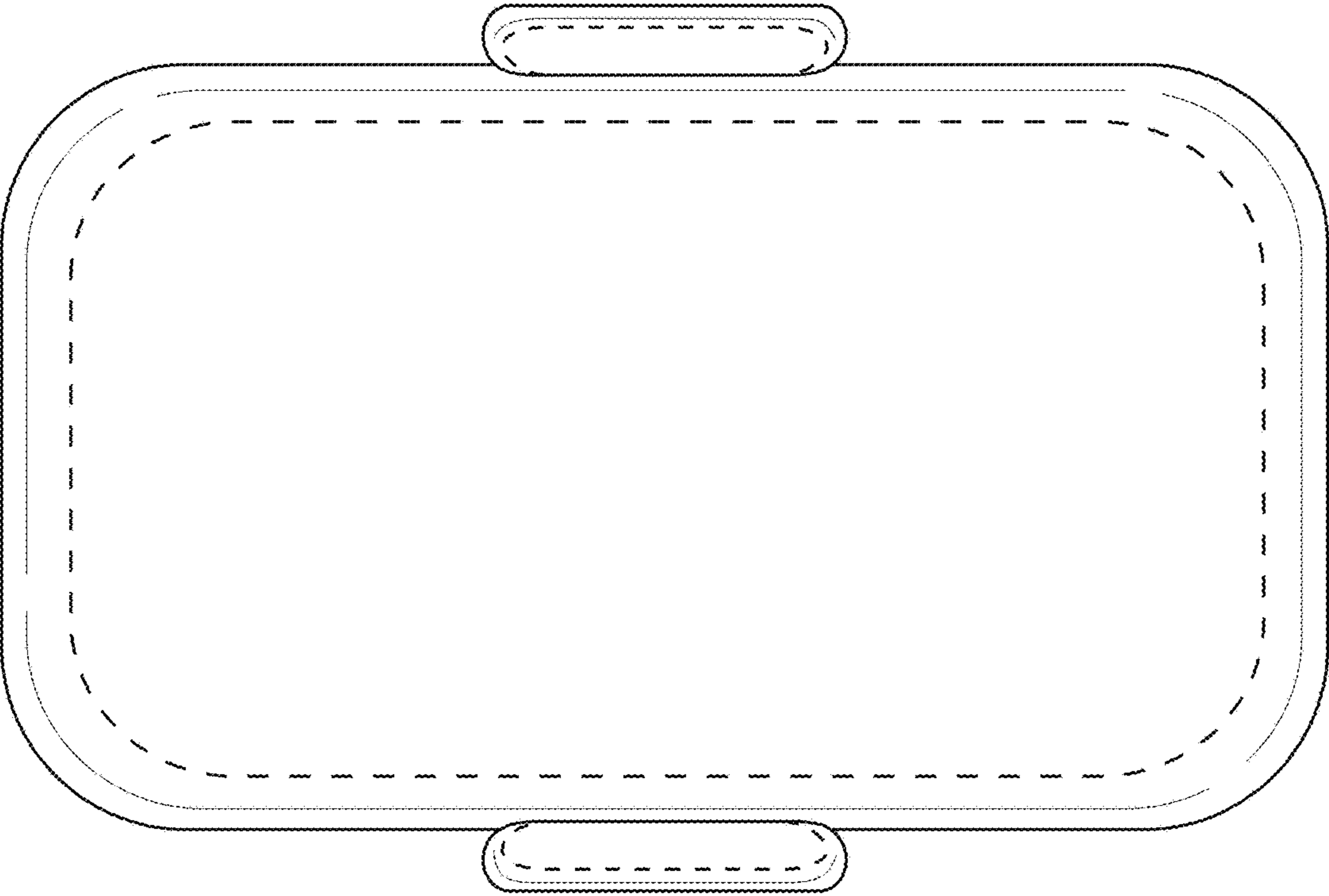


FIG. 5