



US00D773900S

(12) **United States Design Patent** (10) **Patent No.:** **US D773,900 S**
Suzuki et al. (45) **Date of Patent:** **** Dec. 13, 2016**

(54) **COOLING JACKET FOR BLENDERS**

FOREIGN PATENT DOCUMENTS

(71) Applicant: **Panasonic Intellectual Property Management Co., Ltd.**, Osaka-shi, Osaka (JP)

EM 000015656-0003 8/2003
EM 000015656-0004 8/2003
JP D1530368 S 8/2015

(72) Inventors: **Tomohisa Suzuki**, Kyoto (JP); **Takanori Kawasaki**, Tokyo (JP); **Mai Dobashi**, Tokyo (JP); **Akiko Fukushima**, Tokyo (JP)

Primary Examiner — Freda S Nunn

(74) *Attorney, Agent, or Firm* — Brinks Gilson & Lione

(73) Assignee: **PANASONIC INTELLECTUAL PROEPRTY MANAGEMENT CO., LTD.**, Osaka (JP)

(57) **CLAIM**

We claim the ornamental design for a cooling jacket for blenders, as shown and described.

(**) Term: **15 Years**

(21) Appl. No.: **29/529,185**

DESCRIPTION

(22) Filed: **Jun. 4, 2015**

(30) **Foreign Application Priority Data**

Feb. 18, 2015 (JP) 2015-003186

(51) **LOC (10) Cl.** **07-06**

(52) **U.S. Cl.**
USPC **D7/624.2**

(58) **Field of Classification Search**
USPC D7/392, 413, 500, 605-607, 624.2;
D25/100
CPC ... A47G 23/0216; B65D 25/36; B65D 23/104;
B65D 65/00; B65D 81/38; B65D 81/3865;
B65D 81/3886; B65D 81/3876; B65D
81/3879; B65D 23/08; Y10S 220/903
See application file for complete search history.

FIG. 1 is a front view of a cooling jacket for blenders of the present invention;
FIG. 2 is a top view thereof;
FIG. 3 is a bottom view thereof;
FIG. 4 is a first side view thereof;
FIG. 5 is a second side view thereof;
FIG. 6 is a rear view thereof;
FIG. 7 is a cross-sectional view taken along the line 7-7 of FIG. 1;
FIG. 8 is an enlarged cross-sectional view of the area denoted by the line 8-8 of FIG. 7; and,
FIG. 9 is a front perspective view thereof shown in an environmental use.

The broken lines shown represent unclaimed subject matter and form no part of the claimed design. The stippled shading shown in the front and rear views of the claimed design represents touch fastener fabric strips. The cross-sectional views shown in FIG. 7 and FIG. 8 exhibit coolant filling in the jacket. Further, the oblique line shading shown in FIGS. 1, 6 and 9 shows transparent surfaces. In FIGS. 1, 6 and 9, the transparent shading is rendered with straight lines for simplicity and does not represent the shapes of the transparent surfaces.

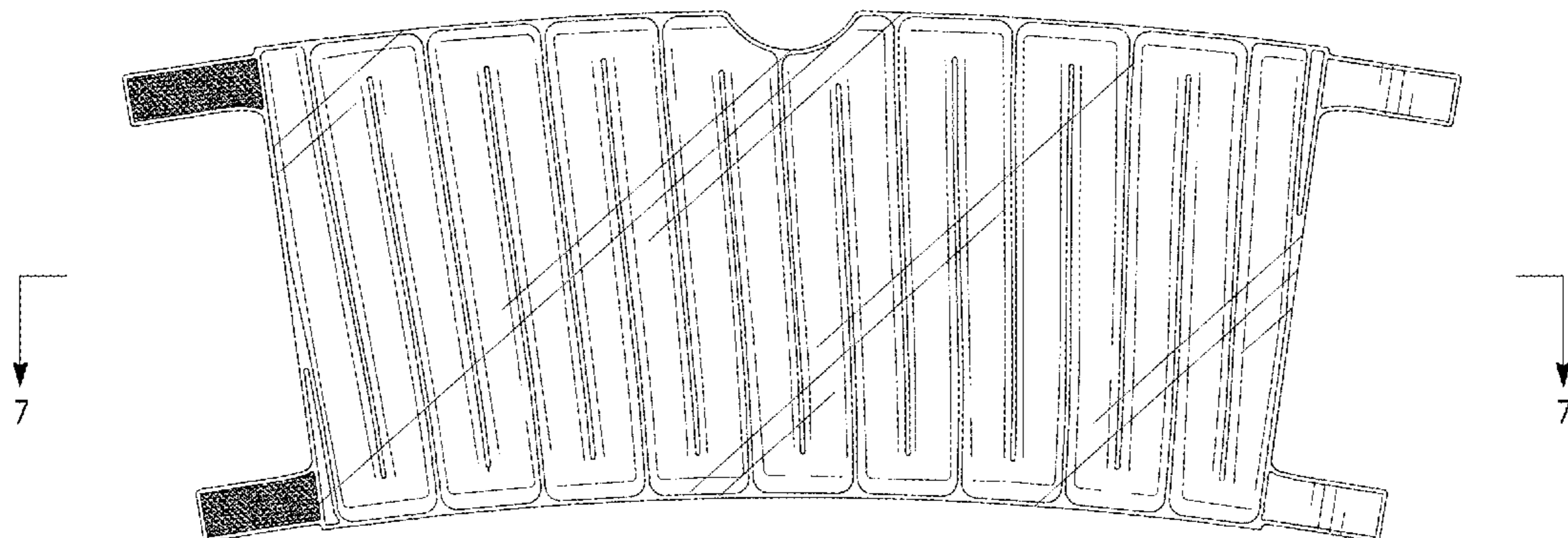
(56) **References Cited**

U.S. PATENT DOCUMENTS

4,399,668 A * 8/1983 Williamson B65D 81/3883
215/12.1
6,027,249 A * 2/2000 Bielinski B65D 81/3897
150/156

(Continued)

1 Claim, 6 Drawing Sheets



(56)

References Cited

U.S. PATENT DOCUMENTS

D422,454	S *	4/2000	Michael Bain	D7/607
D424,371	S *	5/2000	Delmonte	D6/610
D490,711	S	6/2004	DeLuca et al.	
D512,311	S	12/2005	DeLuca et al.	
D531,460	S *	11/2006	McIntosh	D7/607
D606,366	S *	12/2009	Dunne	D7/607
D643,693	S *	8/2011	Jama	D7/607
D663,168	S	7/2012	Khan	
2006/0283194	A1 *	12/2006	Flanagan	B65D 23/08 62/4
2012/0187019	A1 *	7/2012	Tippet	B65D 81/3823 206/524.6

* cited by examiner

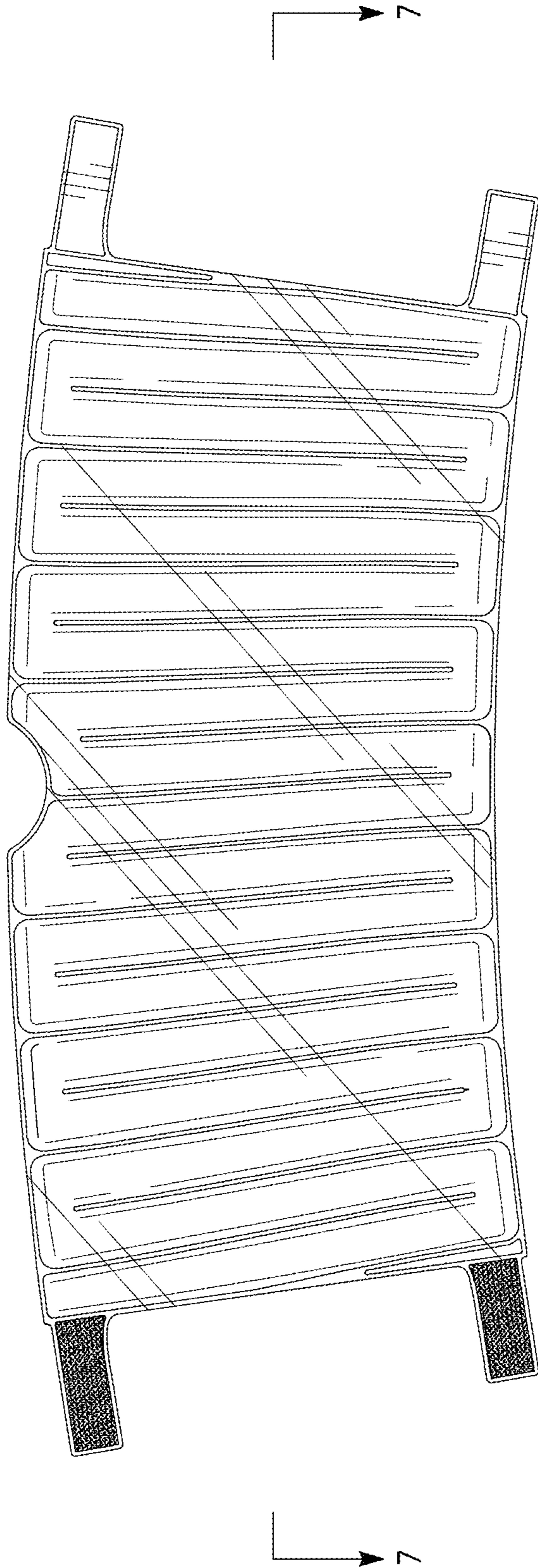


FIG. 1



FIG. 2

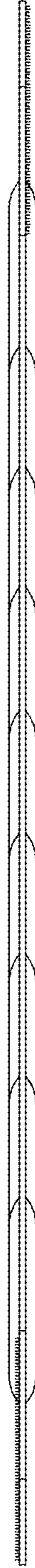


FIG. 3

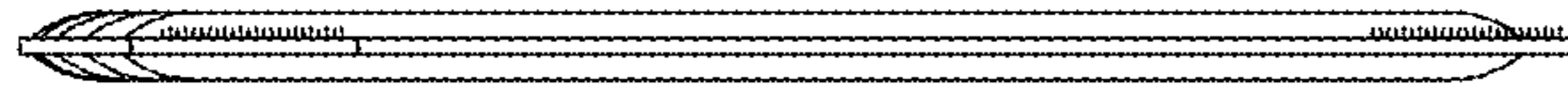


FIG. 5

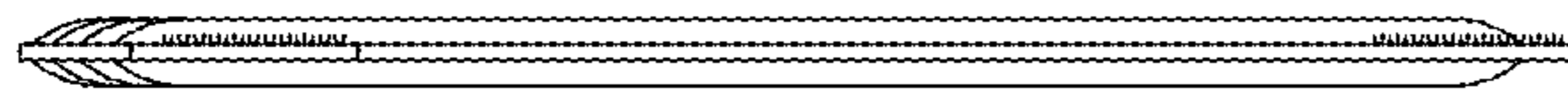


FIG. 4

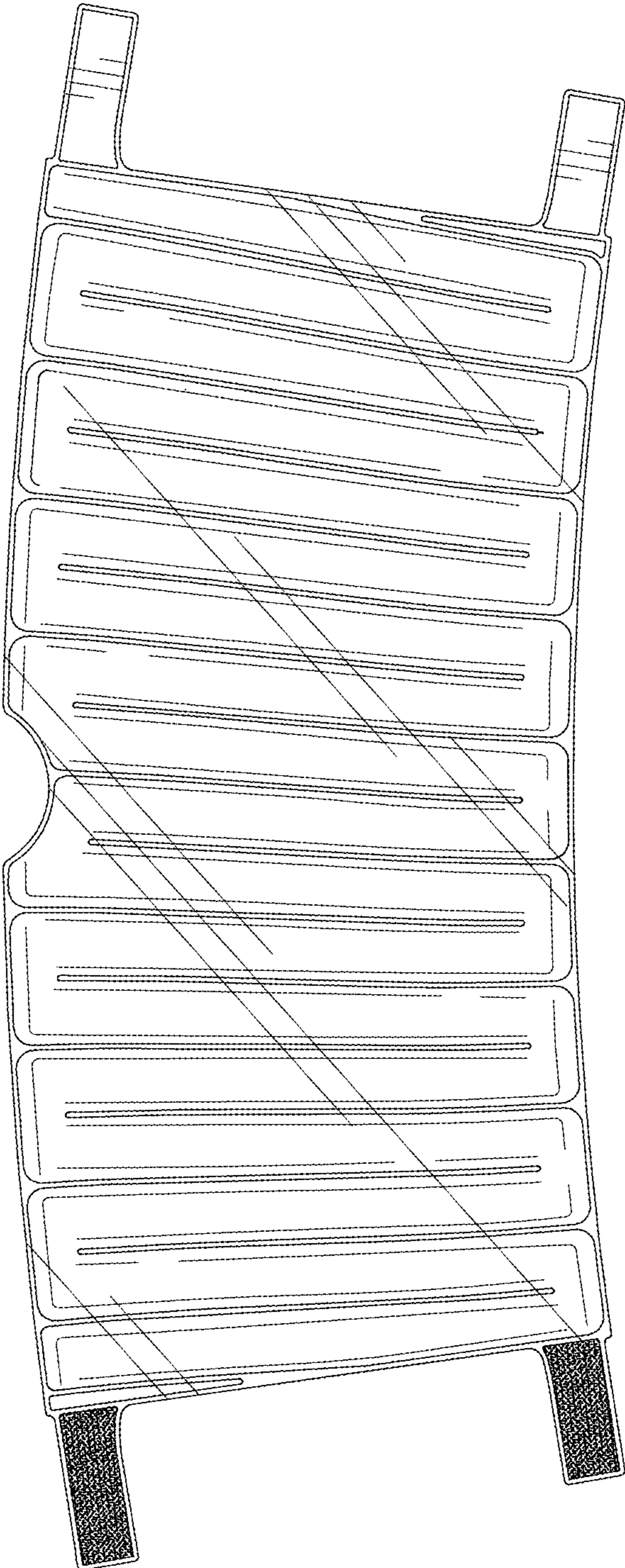


FIG. 6

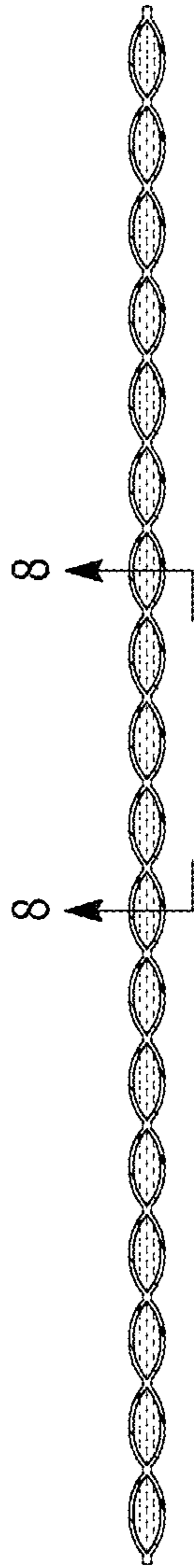


FIG. 7



FIG. 8

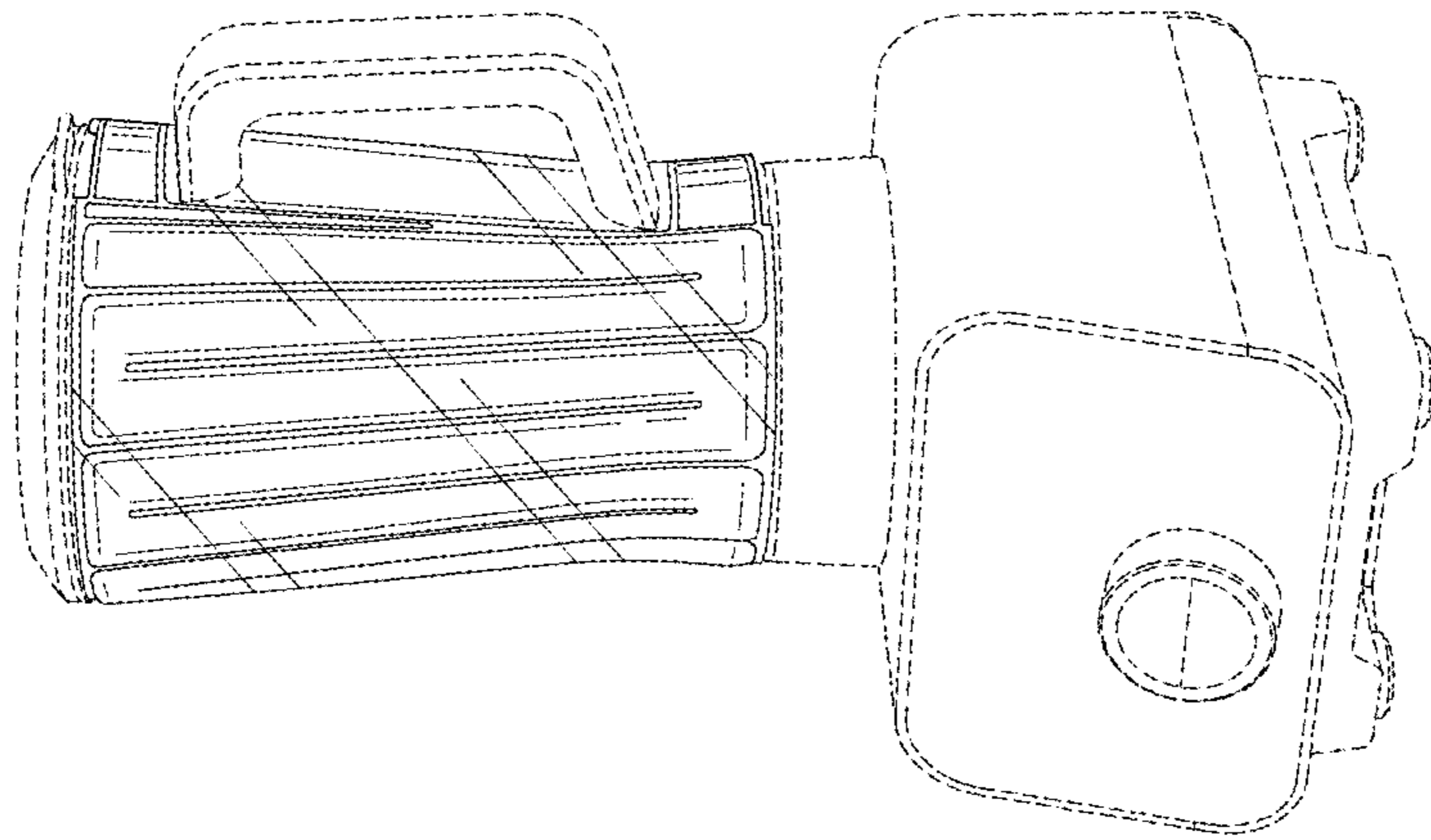


FIG. 9