



US00D773899S

(12) **United States Design Patent** (10) **Patent No.:** **US D773,899 S**
Jarvis et al. (45) **Date of Patent:** **** Dec. 13, 2016**

(54) **THERMO BOX** 6,966,450 B2 * 11/2005 Askew B65D 81/3816
220/529
(71) Applicant: **CAMBRO MANUFACTURING** 7,275,640 B2 * 10/2007 Bourne B65D 25/08
COMPANY, Huntington Beach, CA 206/219
(US) D587,072 S * 2/2009 Friedman D7/605
D634,982 S * 3/2011 Melchert D7/605
(72) Inventors: **Charles Jarvis**, Irvine, CA (US); **Pietro**
Brattoli, Neckartenzlingen (DE) 2006/0279947 A1 * 12/2006 Henley F25D 27/00
362/154

(73) Assignee: **CAMBRO MANUFACTURING**
COMPANY, Huntington Beach, CA
(US)

(**) Term: **15 Years**

(21) Appl. No.: **29/539,688**

(22) Filed: **Sep. 16, 2015**

(51) **LOC (10) Cl.** **07-01**

(52) **U.S. Cl.**
USPC **D7/605**

(58) **Field of Classification Search**
USPC D7/602-608, 619.1, 619.2, 629, 630,
D7/709, 710
CPC A45C 11/20; A45C 5/14; A45C 5/03;
A47B 77/08; B65D 8/18; B65D
5/48; B65D 21/00; B65D 21/08; B65D
6/16; B65D 21/083; B65D 81/38; B65D
81/3816; B65B 63/08; F25D 3/08; F25D
27/00; F25D 3/06; F25D 2331/804; F25D
11/003; H05B 3/06; B62B
2202/52; B62B 1/12; B67D 3/0067
See application file for complete search history.

(56) **References Cited**

U.S. PATENT DOCUMENTS

4,759,190 A * 7/1988 Trachtenberg B60N 3/103
62/3.62

OTHER PUBLICATIONS

NP, 2014, Bazzica Group "Thermo Future Box" Trevi, Italy.
NP, 2014, Barth GmbH "Thermo Future Box" Teck, Germany.

* cited by examiner

Primary Examiner — Freda S Nunn

(74) *Attorney, Agent, or Firm* — George F. Bethel

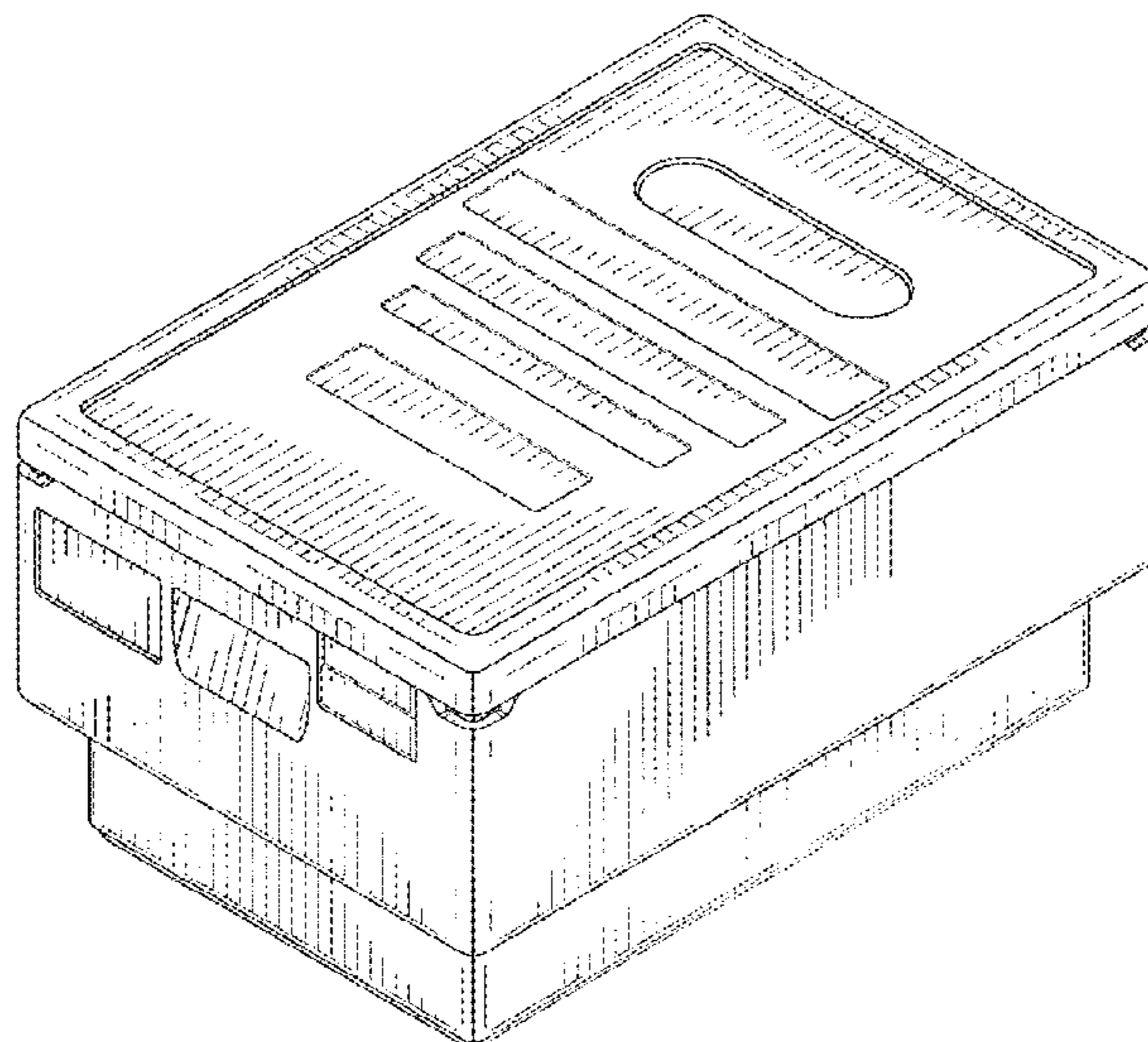
(57) **CLAIM**

The ornamental design for a thermo box, as shown and described.

DESCRIPTION

FIG. 1 is a frontal left side perspective view of the thermo box.
FIG. 2 is a left side elevation view thereof.
FIG. 3 is a front elevation view thereof.
FIG. 4 is a top plan view thereof.
FIG. 5 is a bottom plan view thereof.
FIG. 6 is a right side elevation view thereof; and,
FIG. 7 is a rear elevation view of the thermo box.

1 Claim, 3 Drawing Sheets



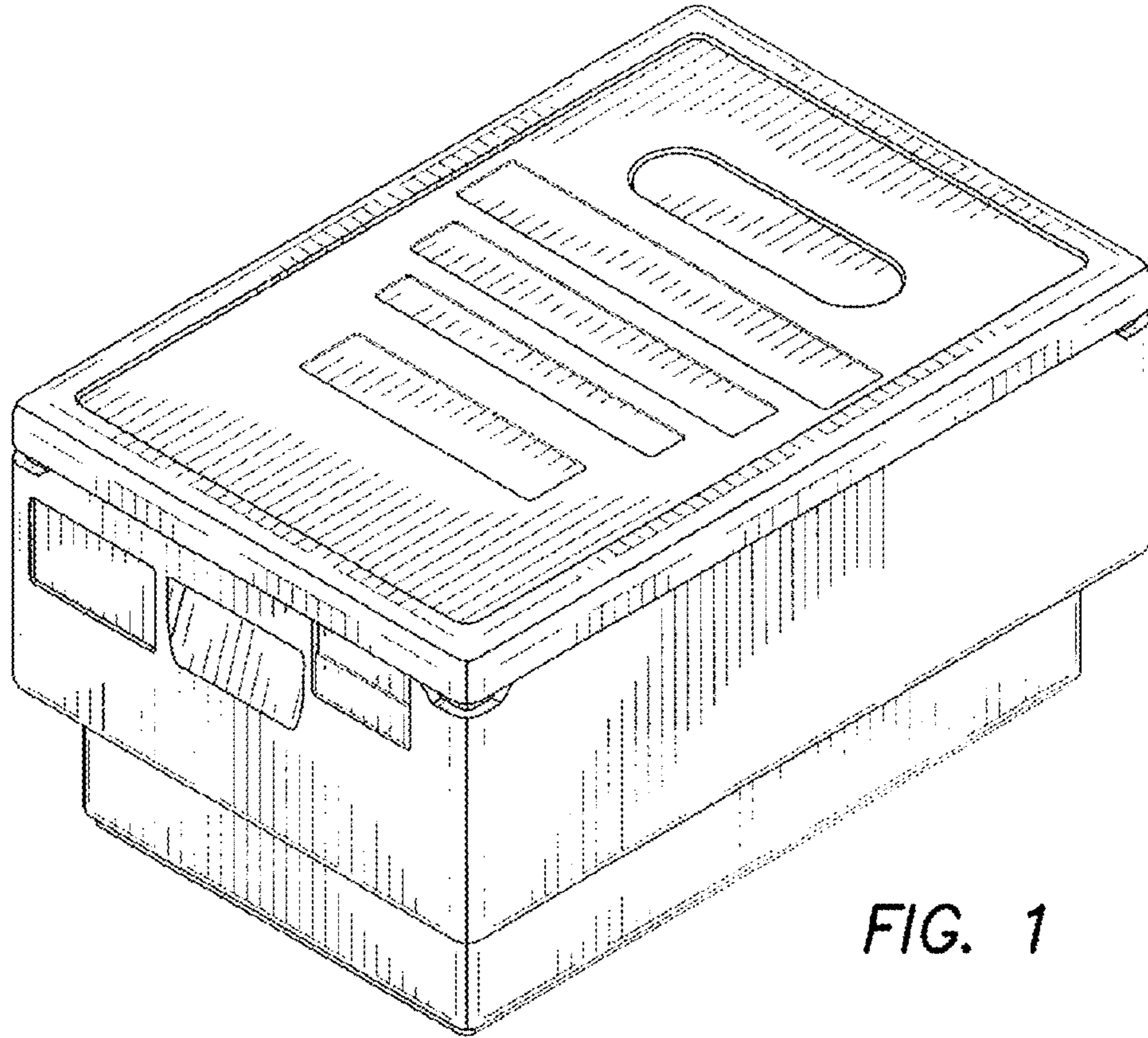
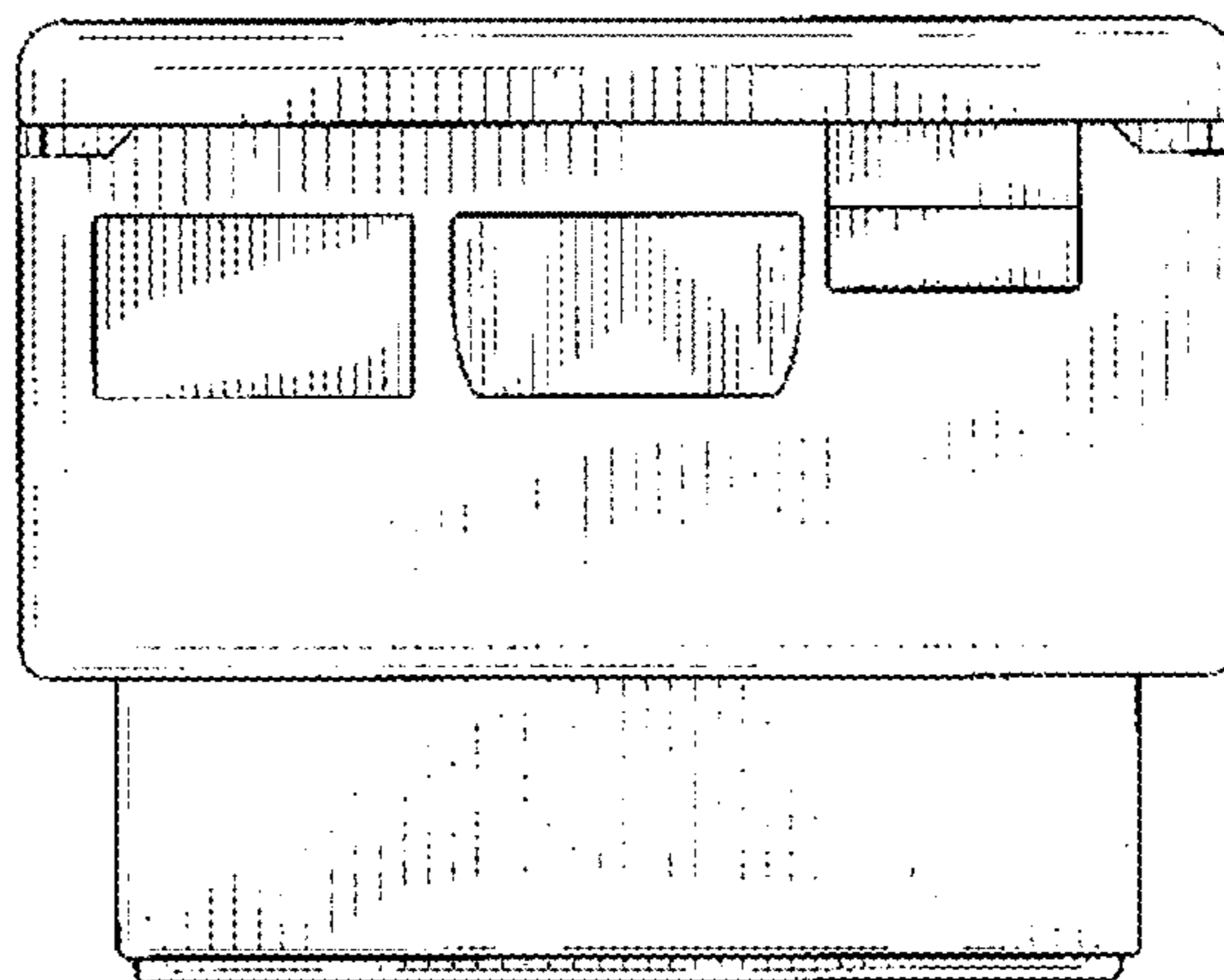


FIG. 1

FIG. 2



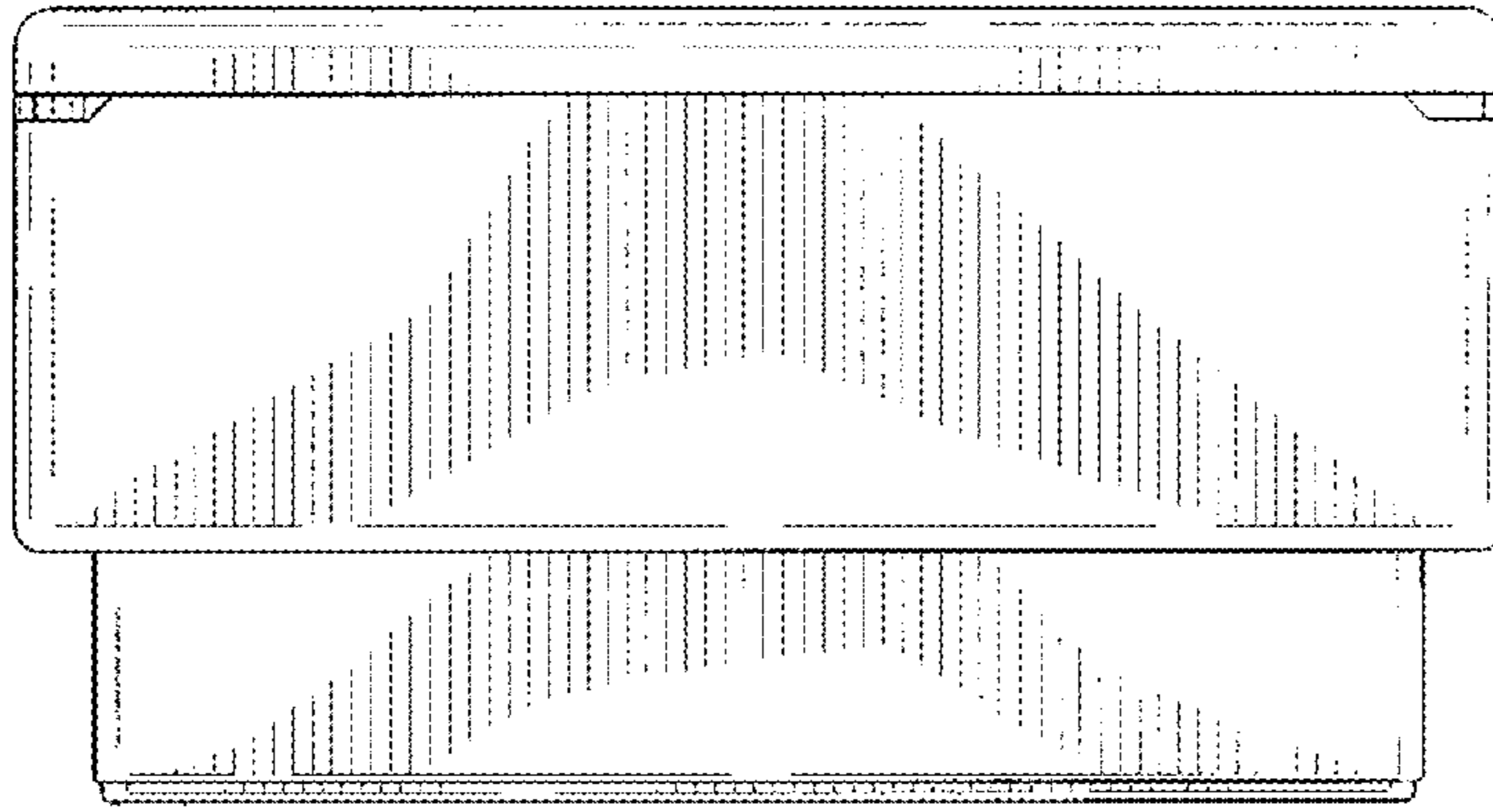


FIG. 3

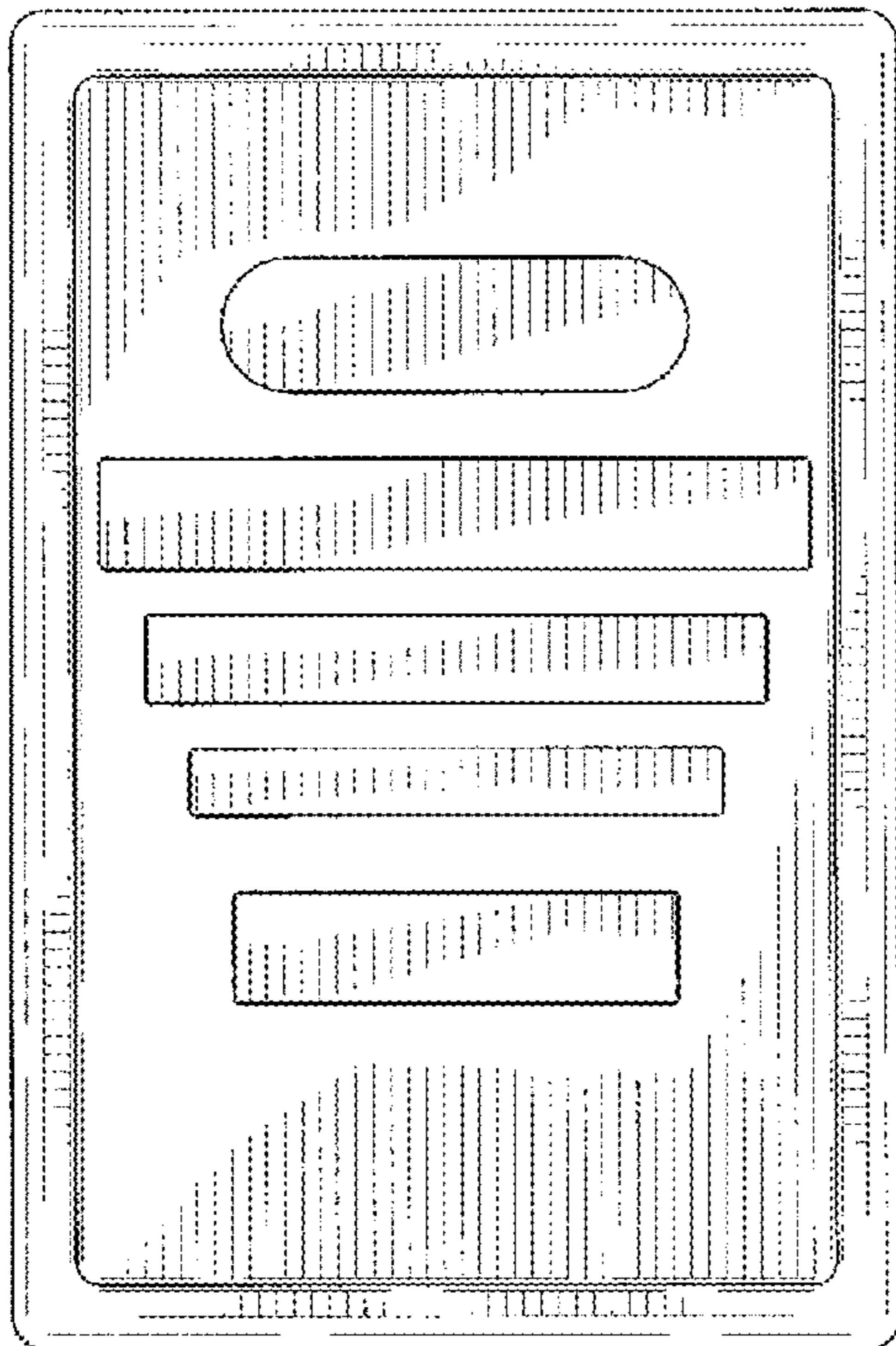


FIG. 4

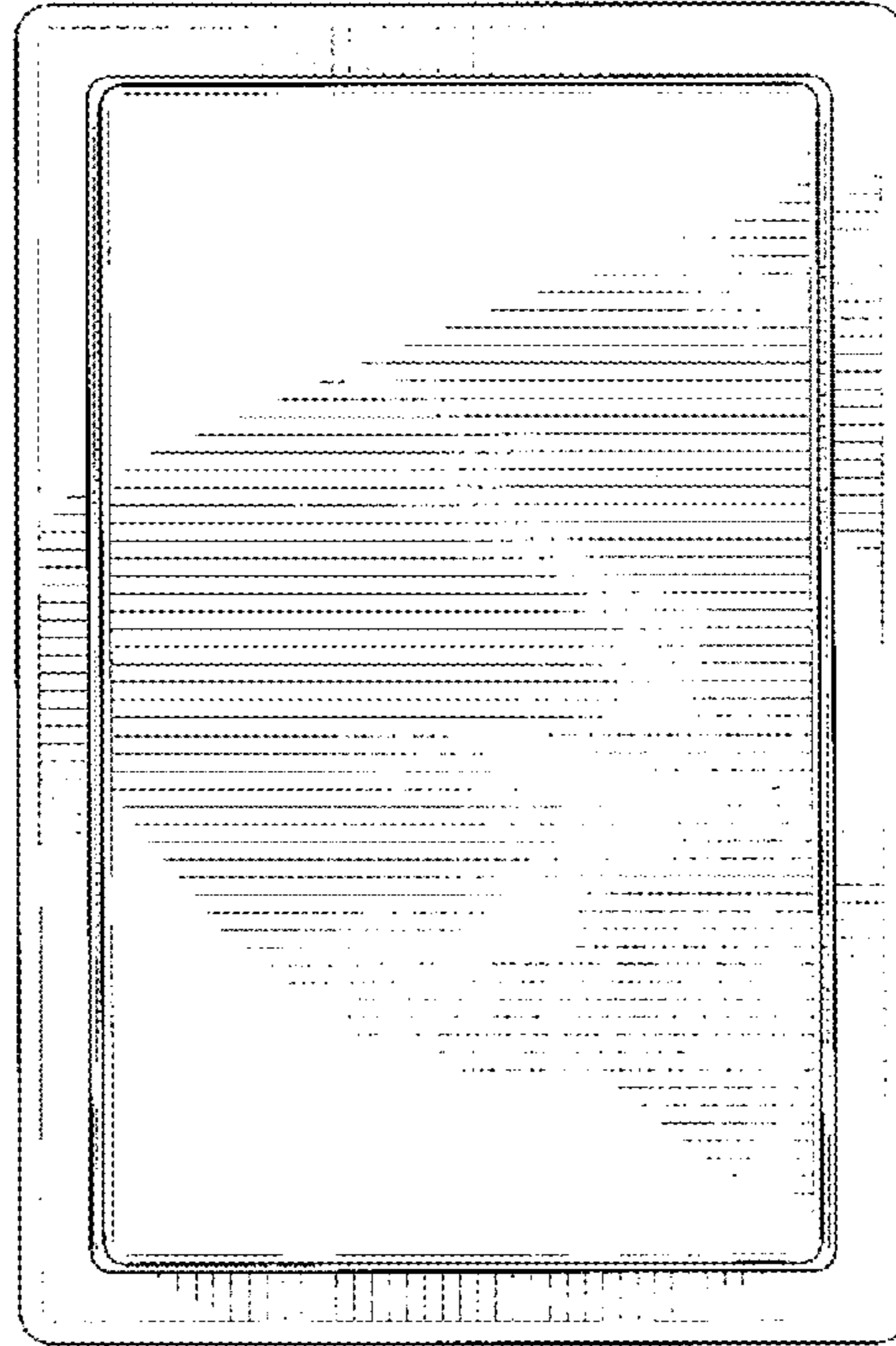


FIG. 5

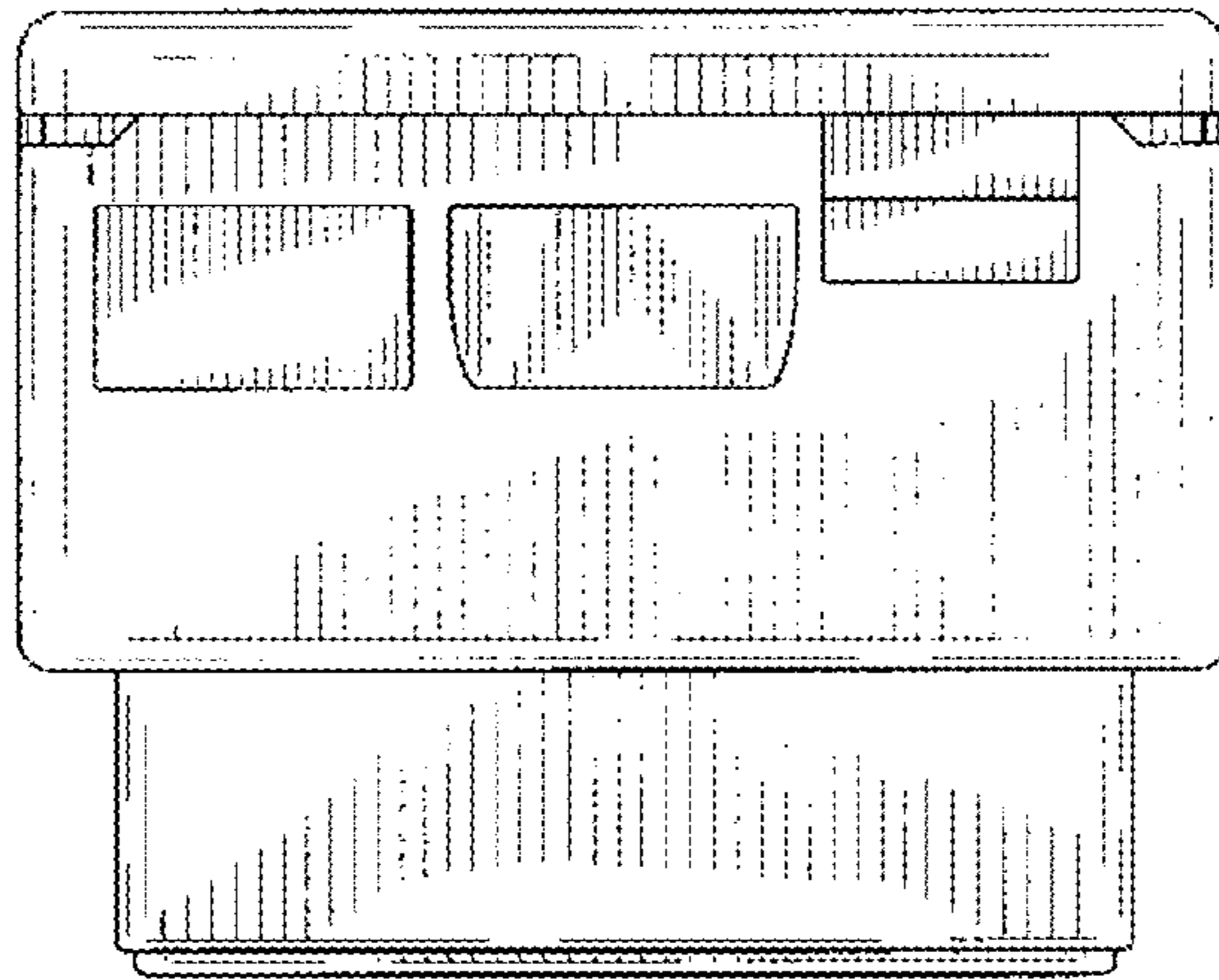


FIG. 6

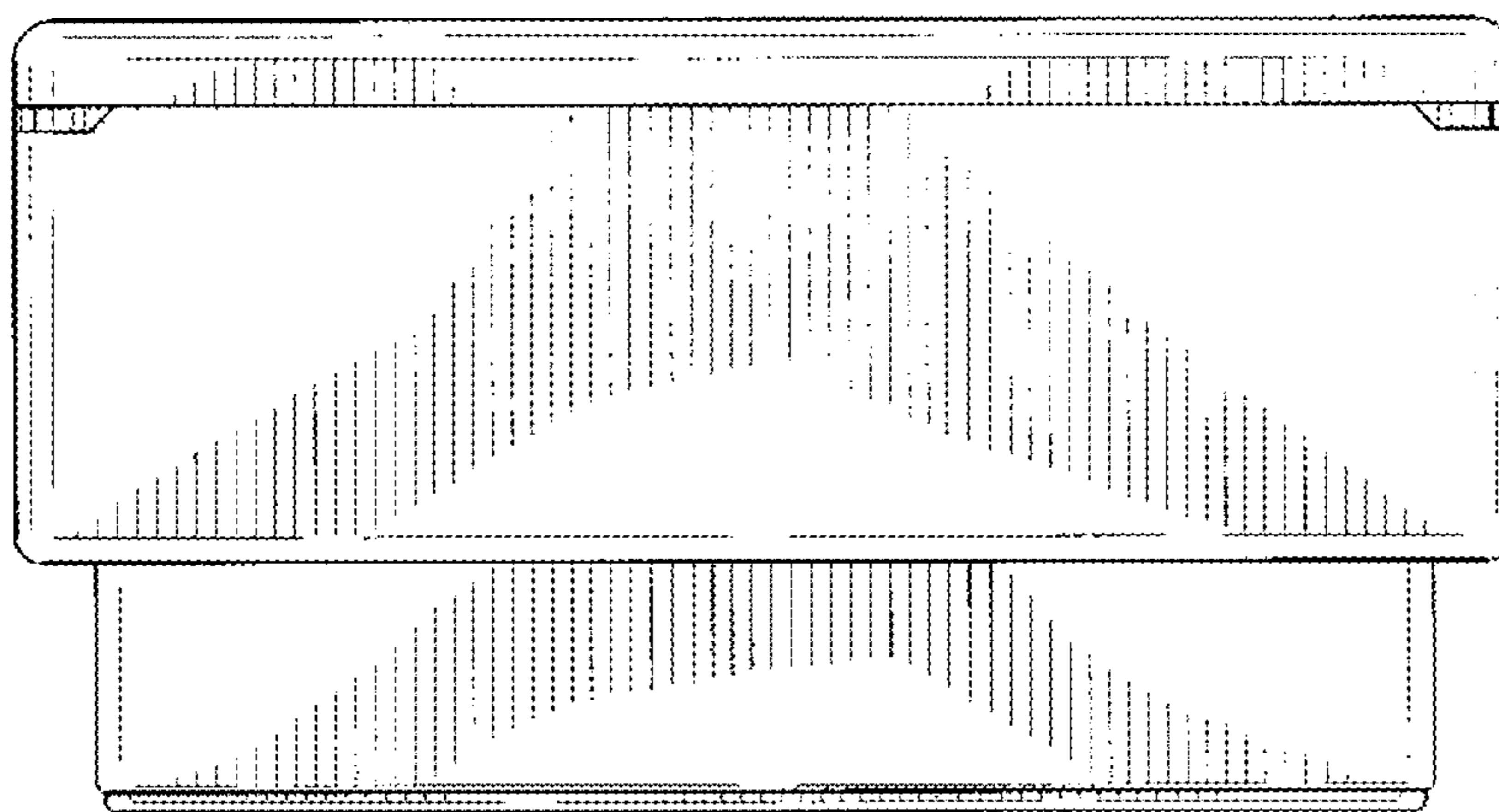


FIG. 7