



US00D773897S

(12) **United States Design Patent**  
**Greenwood**

(10) **Patent No.:** **US D773,897 S**

(45) **Date of Patent:** **\*\* Dec. 13, 2016**

- (54) **STORAGE HOLDER**
- (71) Applicant: **Youcopia Products, Inc.**, Chicago, IL (US)
- (72) Inventor: **Mark Greenwood**, Arlington Heights, IL (US)
- (73) Assignee: **YouCopia Products, Inc.**, Chicago, IL (US)
- (\*\*) Term: **14 Years**
- (21) Appl. No.: **29/526,545**
- (22) Filed: **May 11, 2015**
- (51) **LOC (10) Cl.** ..... **07-01**
- (52) **U.S. Cl.**  
USPC ..... **D7/601**; D19/90
- (58) **Field of Classification Search**  
USPC ..... D3/304, 305, 310–315; D6/407, 675, D6/683, 683.1; D7/600.1–600.4, 601; D9/737, D9/432; D19/75, 77–80, 86–87, D19/90–92  
CPC ..... B42F 7/10; B42F 7/12; B42F 7/06; B42F 7/145; B42F 17/02; B42F 17/12; B43M 99/00; B43M 99/001; B43M 99/008; A47B 6/00; A47B 47/00; A47B 47/0033; A47B 47/0041; B65D 5/566  
See application file for complete search history.

- 4,512,480 A \* 4/1985 Evenson ..... B42F 17/12 108/60
- 4,756,441 A \* 7/1988 Sharp ..... B42F 17/12 220/535
- 4,759,449 A \* 7/1988 Gold ..... A47B 57/58 211/184
- D317,465 S \* 6/1991 Wadams ..... D19/76
- 5,154,299 A \* 10/1992 Hwang ..... B42F 17/12 211/11
- D332,708 S \* 1/1993 Schmidt ..... D6/407
- D354,413 S \* 1/1995 Sedon ..... D6/407
- D358,525 S \* 5/1995 Sedon ..... D6/407
- D443,790 S \* 6/2001 Bennett ..... D6/629
- D492,534 S \* 7/2004 Sheldon ..... D6/629

(Continued)

*Primary Examiner* — Elizabeth Albert

(74) *Attorney, Agent, or Firm* — Knechtel, Demeur & Samlan

(57) **CLAIM**

I claim the ornamental design for a storage holder, as shown and described.

**DESCRIPTION**

FIG. 1 is a top perspective view of a storage holder showing the new design;

FIG. 2 is a front elevational view thereof; the back elevational view is the exact same as the front elevational view;

FIG. 3 is a right side elevational view thereof; the left side elevational view is the exact same as the right side elevational view;

FIG. 4 is a top plan view thereof;

FIG. 5 is a bottom plan view thereof;

FIG. 6 is another top perspective view thereof; and,

FIG. 7 is still another top perspective view thereof.

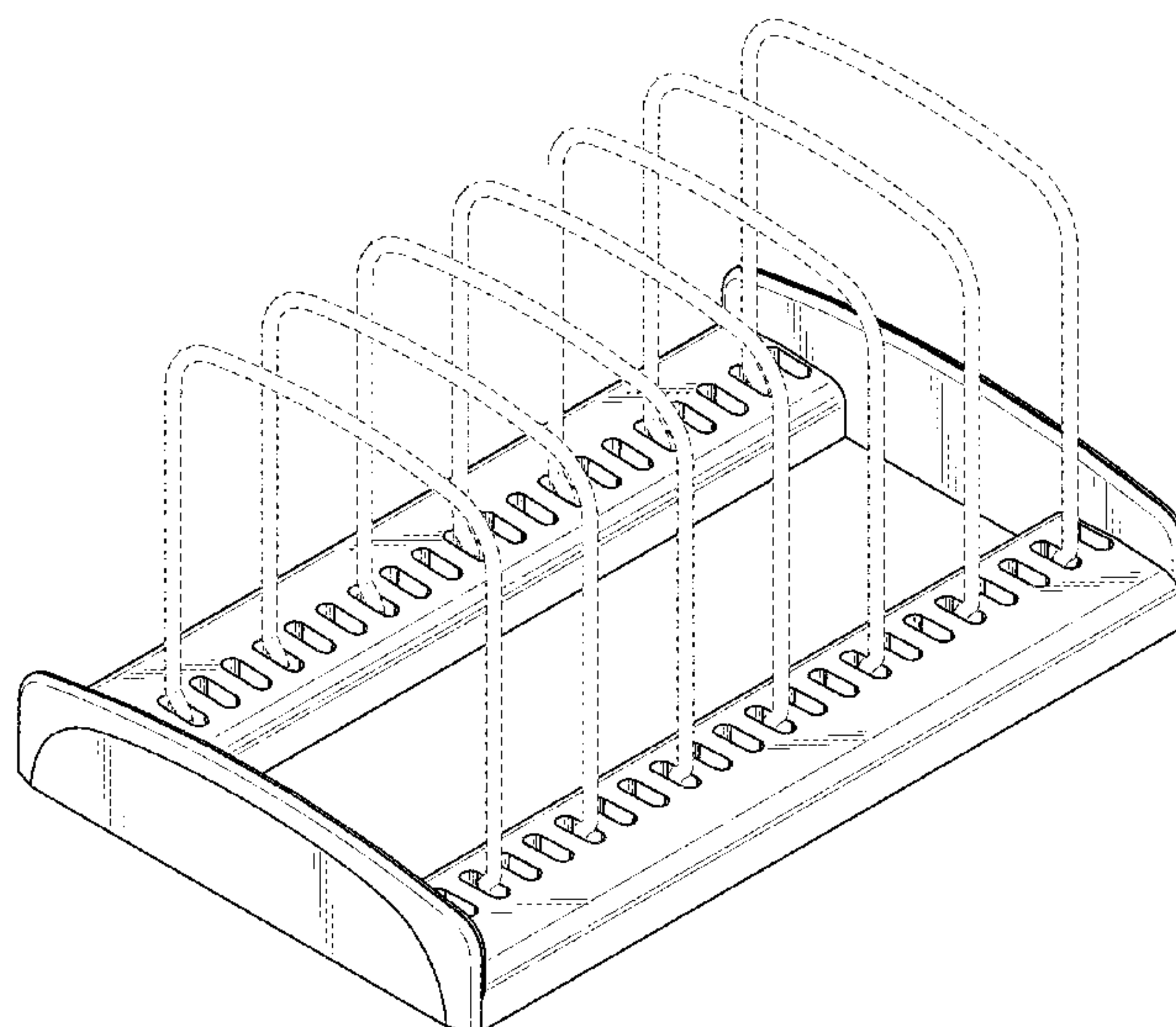
The broken lines in FIGS. 5, 6 and 7 are included for the purpose of showing portions of the storage holder that form no part of the claimed design.

**1 Claim, 6 Drawing Sheets**

(56) **References Cited**

U.S. PATENT DOCUMENTS

- 500,955 A \* 7/1893 Rusk ..... A47G 1/12 206/0.8
- 1,764,128 A \* 6/1930 Straubel ..... B42F 17/02 211/11
- 3,269,558 A \* 8/1966 Hess ..... A47B 57/58 211/184
- 4,410,093 A \* 10/1983 Chiariello ..... B42F 17/12 211/11



(56)

**References Cited**

U.S. PATENT DOCUMENTS

D493,659 S *	8/2004	Ohayon .....	D6/629
D504,702 S *	5/2005	Stravitz .....	D19/90
D507,145 S *	7/2005	Prata dos Santos .....	D6/629
D522,790 S *	6/2006	Hunt .....	D6/629
D544,742 S *	6/2007	Weir, III .....	D6/629
D566,449 S *	4/2008	Prata dos Santos .....	D6/629
D585,094 S *	1/2009	Smith .....	D19/90

\* cited by examiner

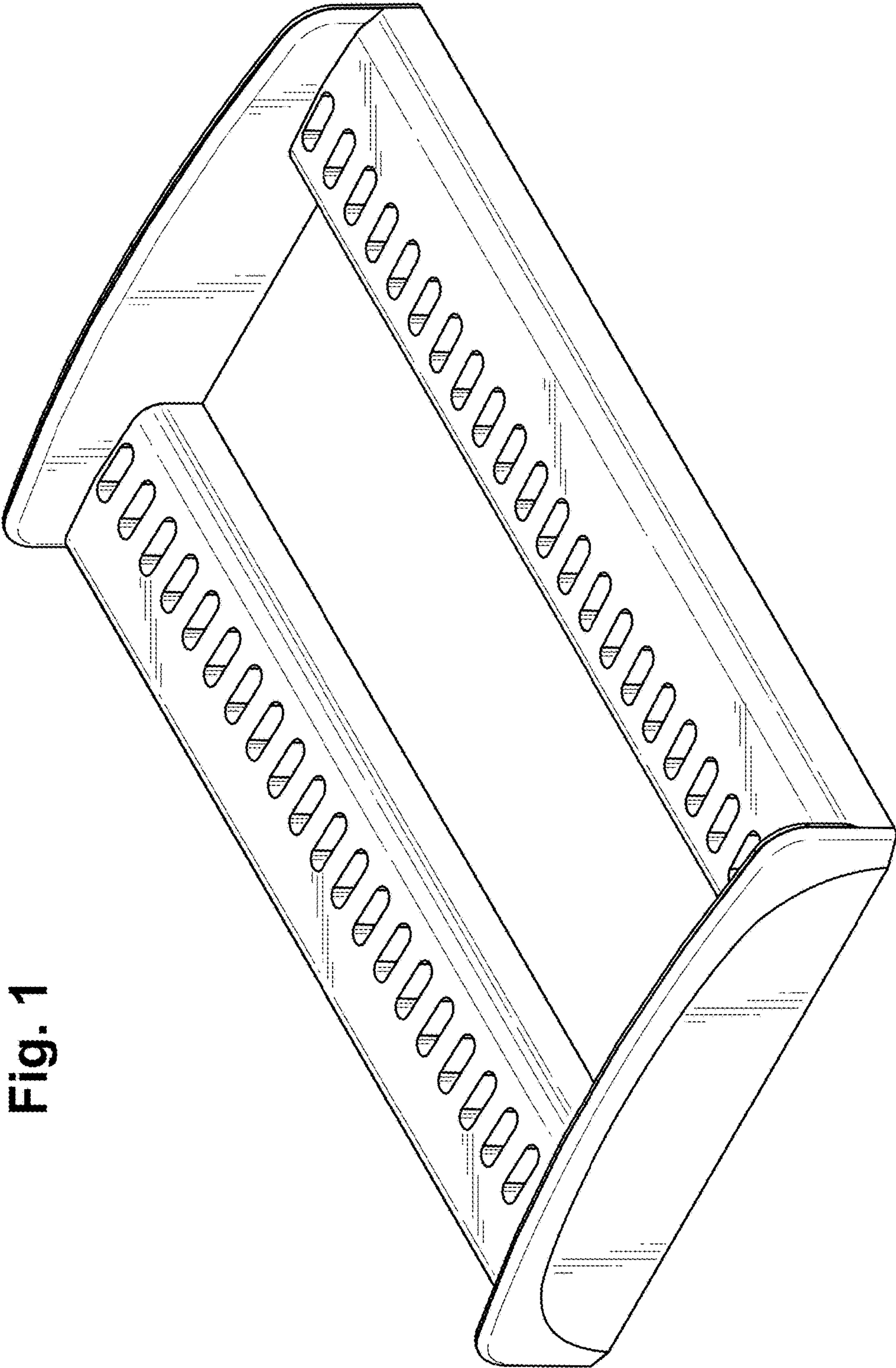


Fig. 1

Fig. 2

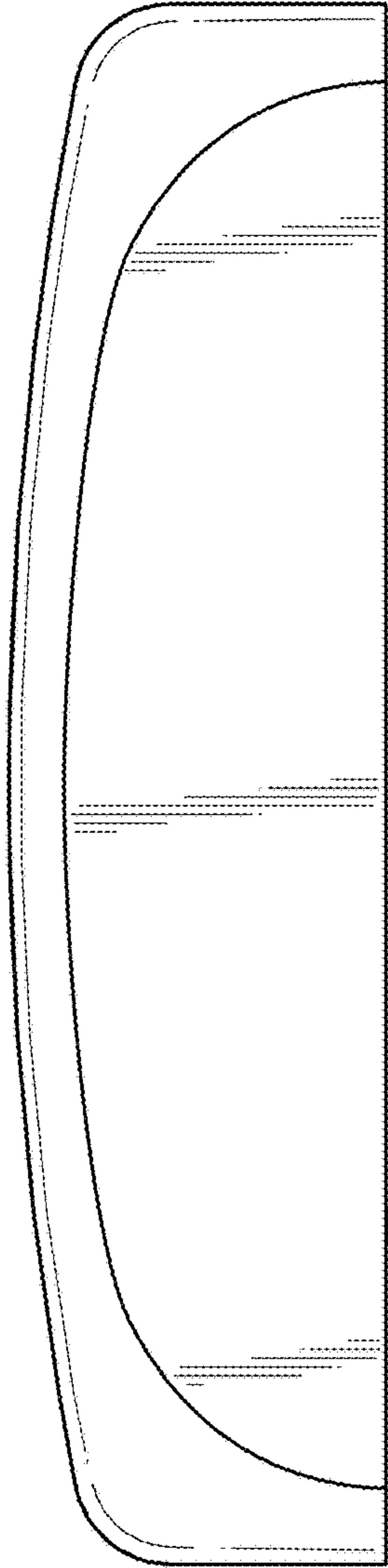


Fig. 3

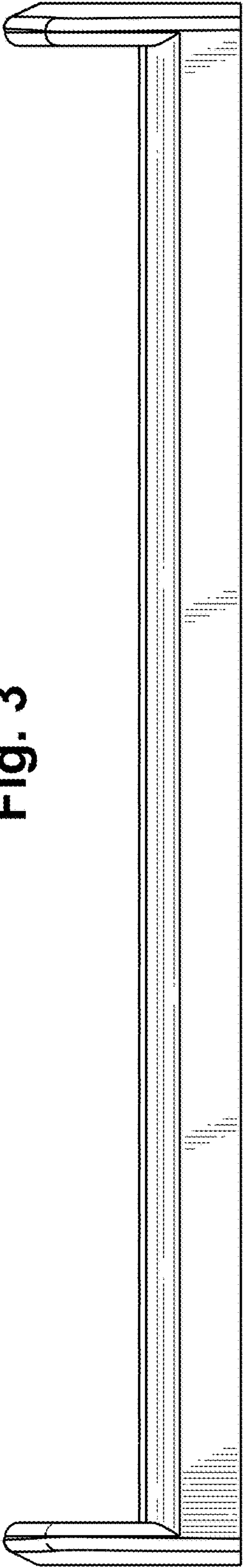




Fig. 4

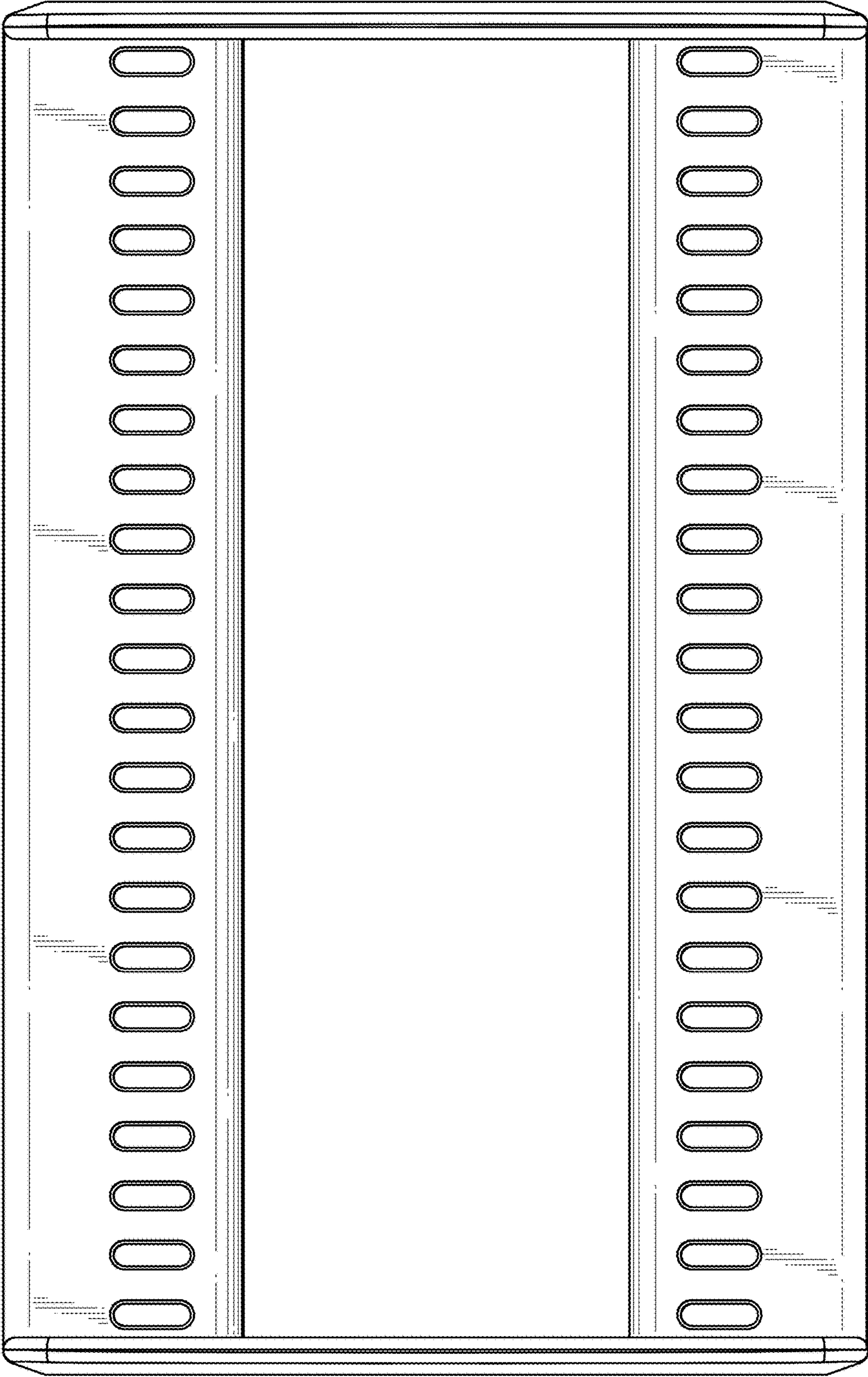
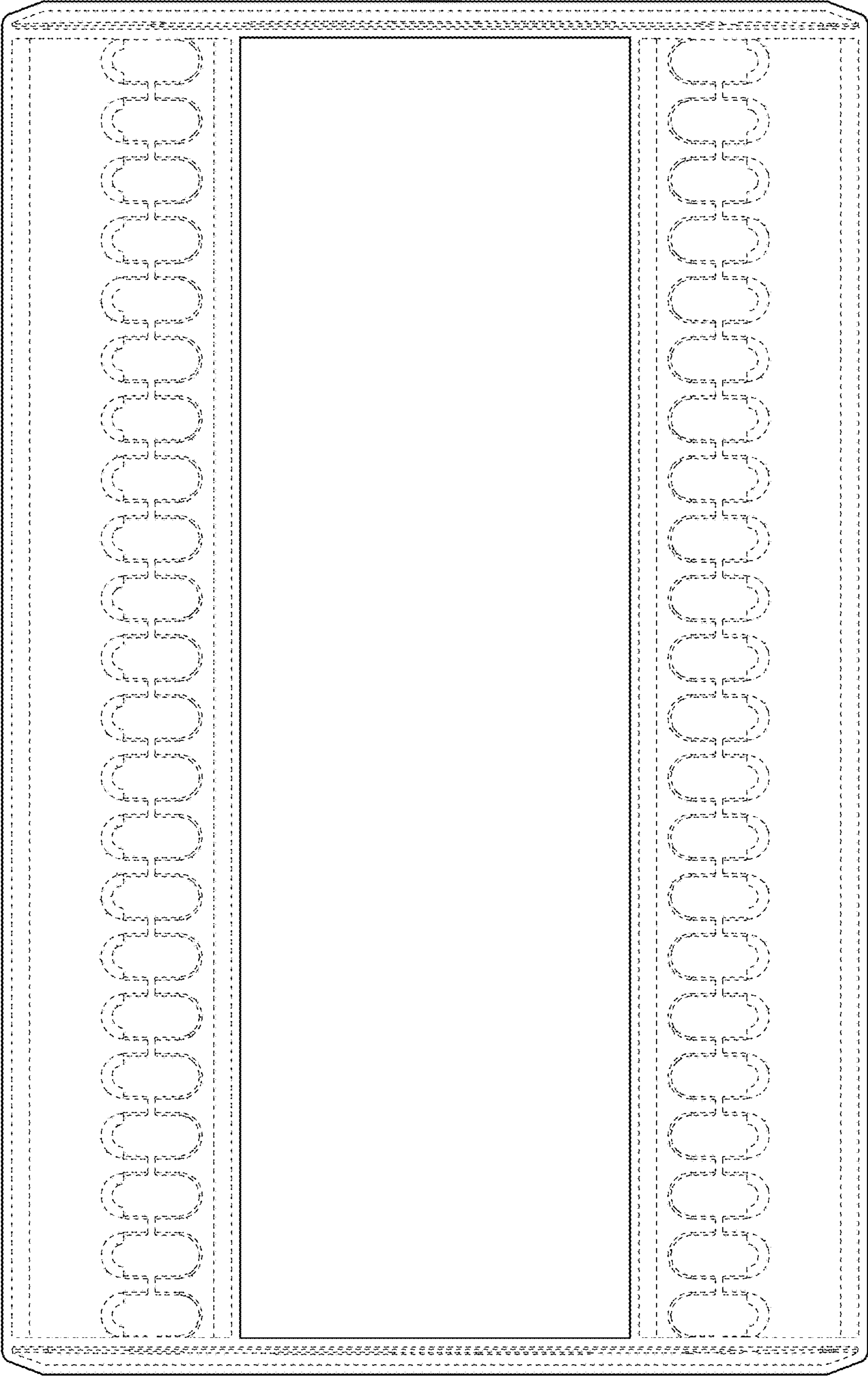


Fig. 5



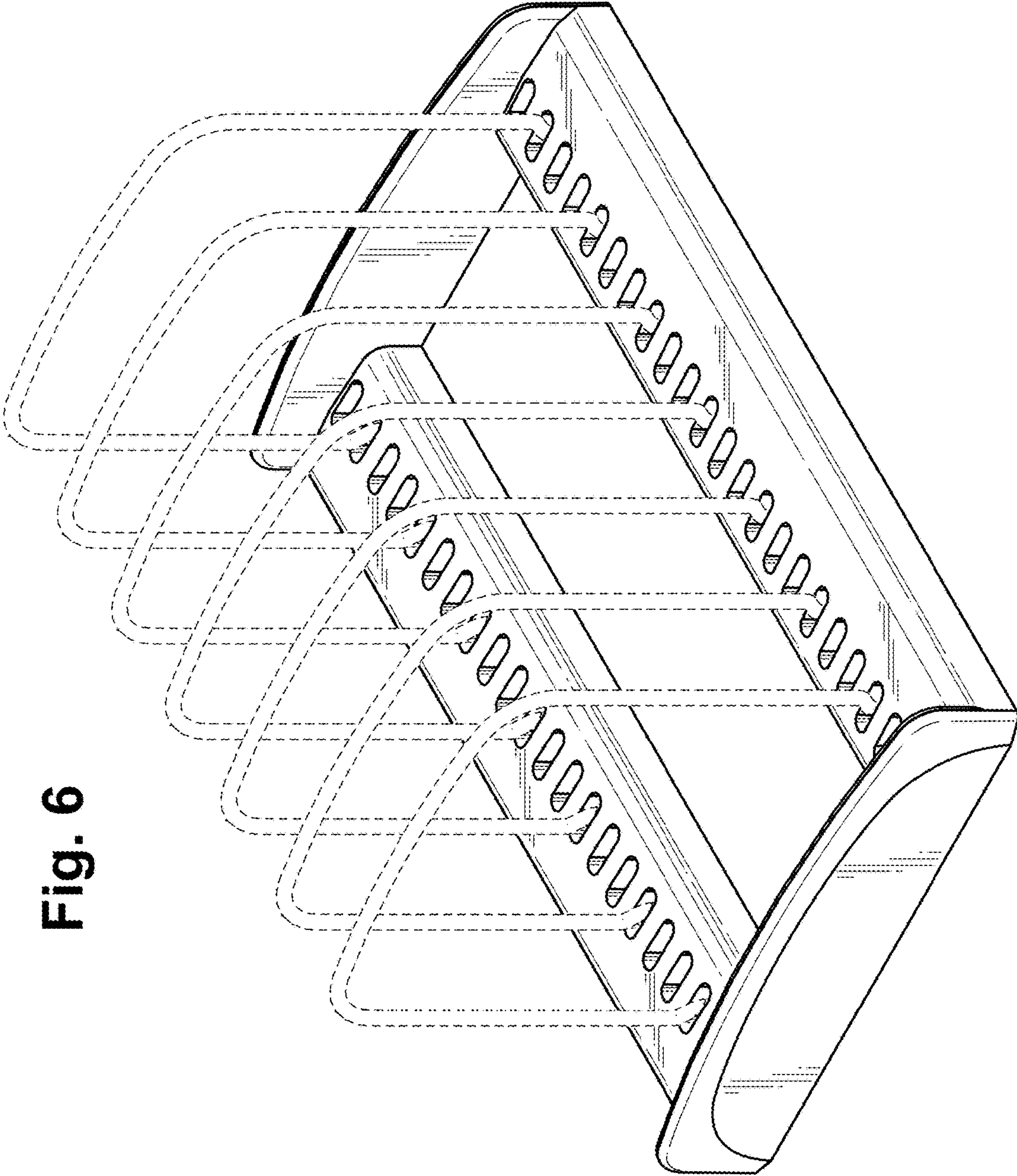


Fig. 6



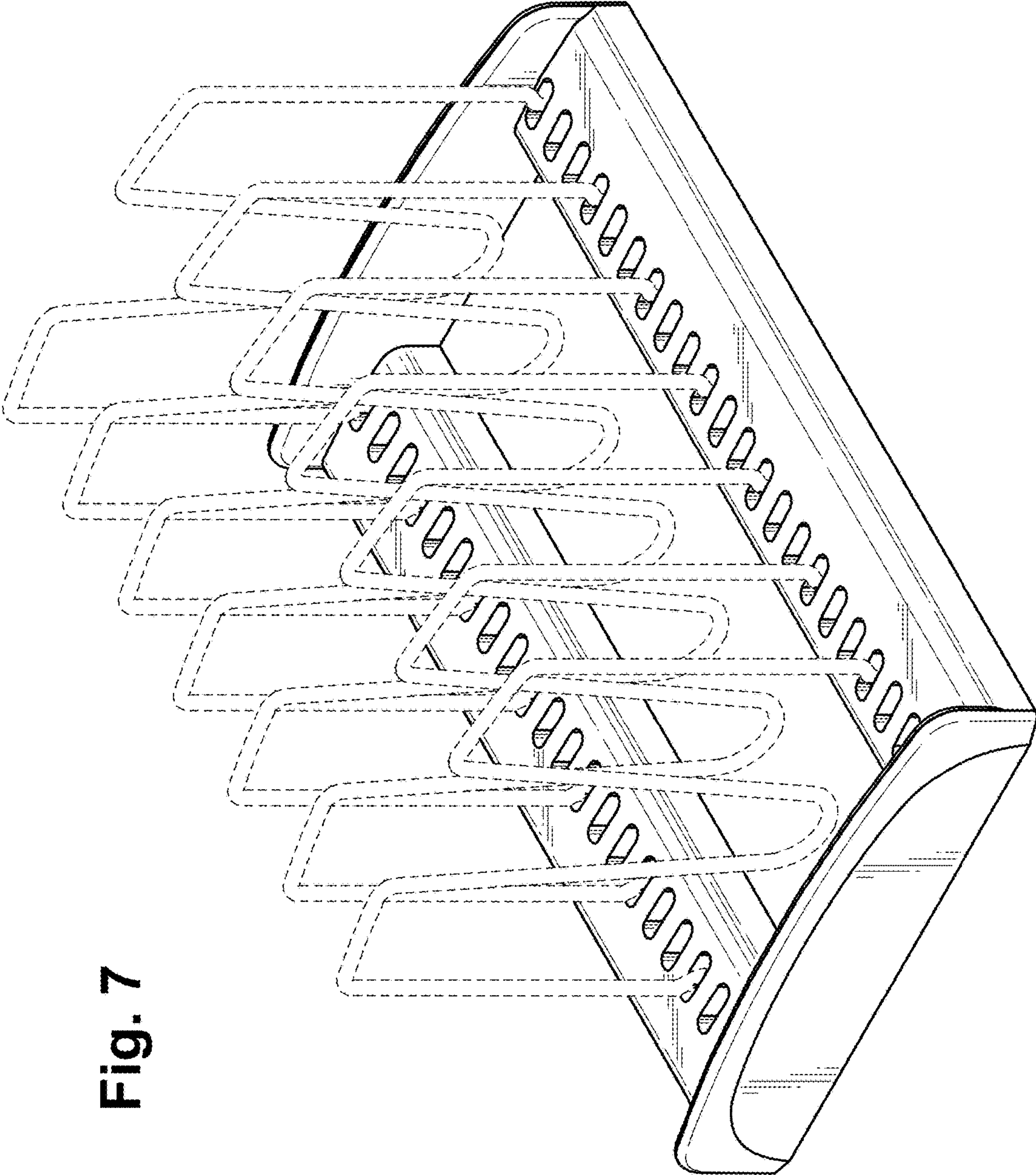


Fig. 7