



US00D773896S

(12) **United States Design Patent**
Dai

(10) **Patent No.:** **US D773,896 S**

(45) **Date of Patent:** **** Dec. 13, 2016**

(54) **MUG**

(71) Applicant: **Jin Dai**, Zhejiang (CN)

(72) Inventor: **Jin Dai**, Zhejiang (CN)

(73) Assignees: **Zhejiang Daian Commodity Co., Ltd.**,
Zhejiang Prov. (CN); **Sharing Promo**
Stock Co., Baldwin Park, CA (US)

(**) Term: **14 Years**

(21) Appl. No.: **29/518,321**

(22) Filed: **Feb. 23, 2015**

(30) **Foreign Application Priority Data**

Sep. 30, 2014 (CN) 2014 3 0371729

(51) **LOC (10) Cl.** **07-01**

(52) **U.S. Cl.**
USPC **D7/507; D7/510; D7/511; D7/523**

(58) **Field of Classification Search**
USPC D7/507, 510, 511, 523, 531, 532, 300.1,
D7/591, 300.2, 608, 629, 387, 392.1,
D7/396.2, 396.3, 665; D9/503, 435, 436,
D9/440, 447, 449, 905, 454, 427, 446;
220/200, 703, 705, 592.16, 596.17,
220/495.03, 62.12; 215/45, 206, 224, 240,
215/305; 206/154, 156
CPC A47G 19/2211; A47G 19/2266; A47G 19/22;
A45F 3/16; A37G 19/2272; B65D 51/18;
B65D 43/02; B65D 47/08; B65D 41/56
See application file for complete search history.

(56) **References Cited**

U.S. PATENT DOCUMENTS

415,049 A * 11/1889 Manny A47J 19/022
99/508
D163,342 S * 5/1951 Wagner D7/300.1
3,288,344 A * 11/1966 Woollen A47G 19/065
206/217

D366,398 S * 1/1996 Alessi Anghini D7/665
D476,193 S * 6/2003 Janky D7/510
D484,754 S * 1/2004 Schuler D7/665
D505,831 S * 6/2005 Liu D7/510
D565,353 S * 4/2008 Roth D7/510
D608,147 S * 1/2010 Sykes D7/507
D628,023 S * 11/2010 Bodum D7/665
D664,011 S * 7/2012 Affonso D7/665
8,783,506 B2 * 7/2014 Lee B65D 47/305
206/217
8,973,776 B1 * 3/2015 Buck A47G 19/2272
220/521
9,078,535 B1 * 7/2015 Buck A47G 19/2205
D747,936 S * 1/2016 Chitayat D7/510
D763,620 S * 8/2016 Szymanski D7/392.1
D763,621 S * 8/2016 Szymanski D7/392.1
2004/0089662 A1 * 5/2004 Smith B65D 43/0212
220/253
2014/0227416 A1 * 8/2014 Chitayat A47J 19/022
426/489

* cited by examiner

Primary Examiner — Marianne Pandozzi

Assistant Examiner — Jae Liang

(74) *Attorney, Agent, or Firm* — Jen-Feng Lee, Esq.

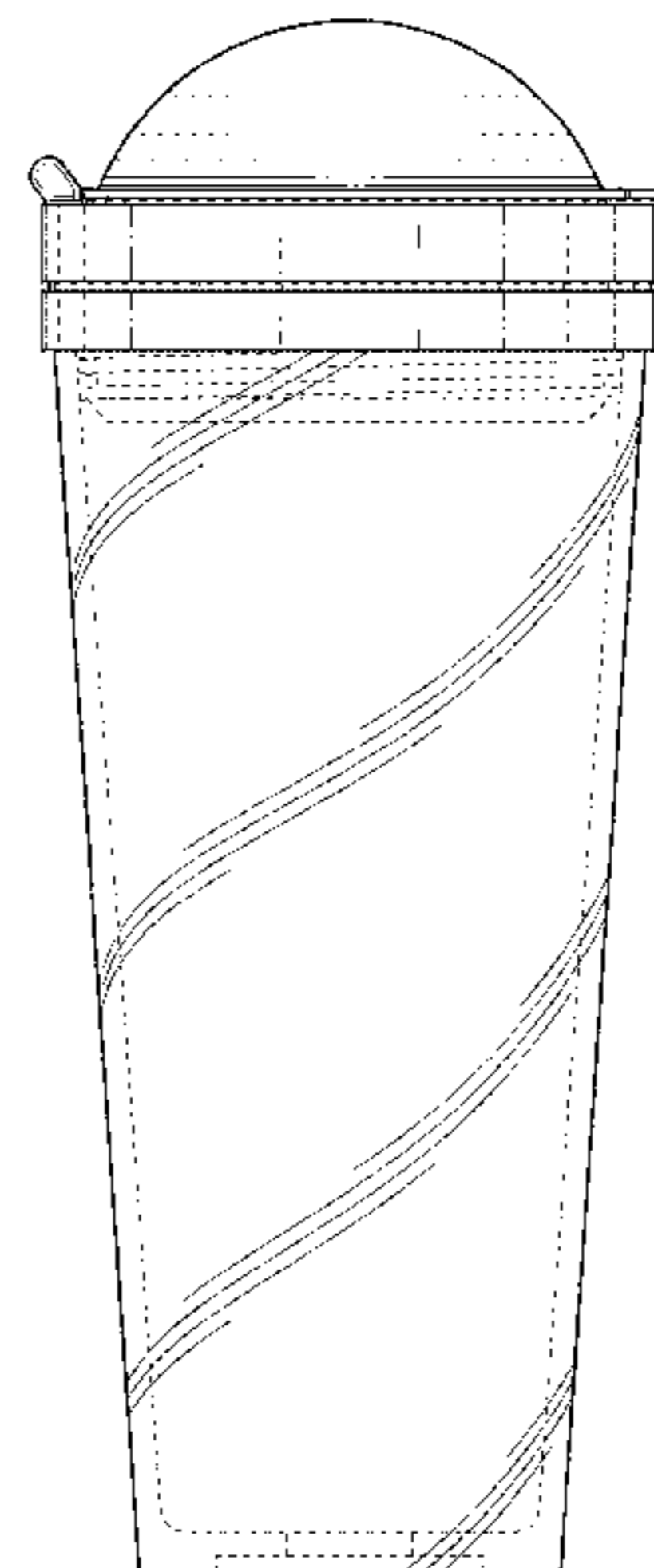
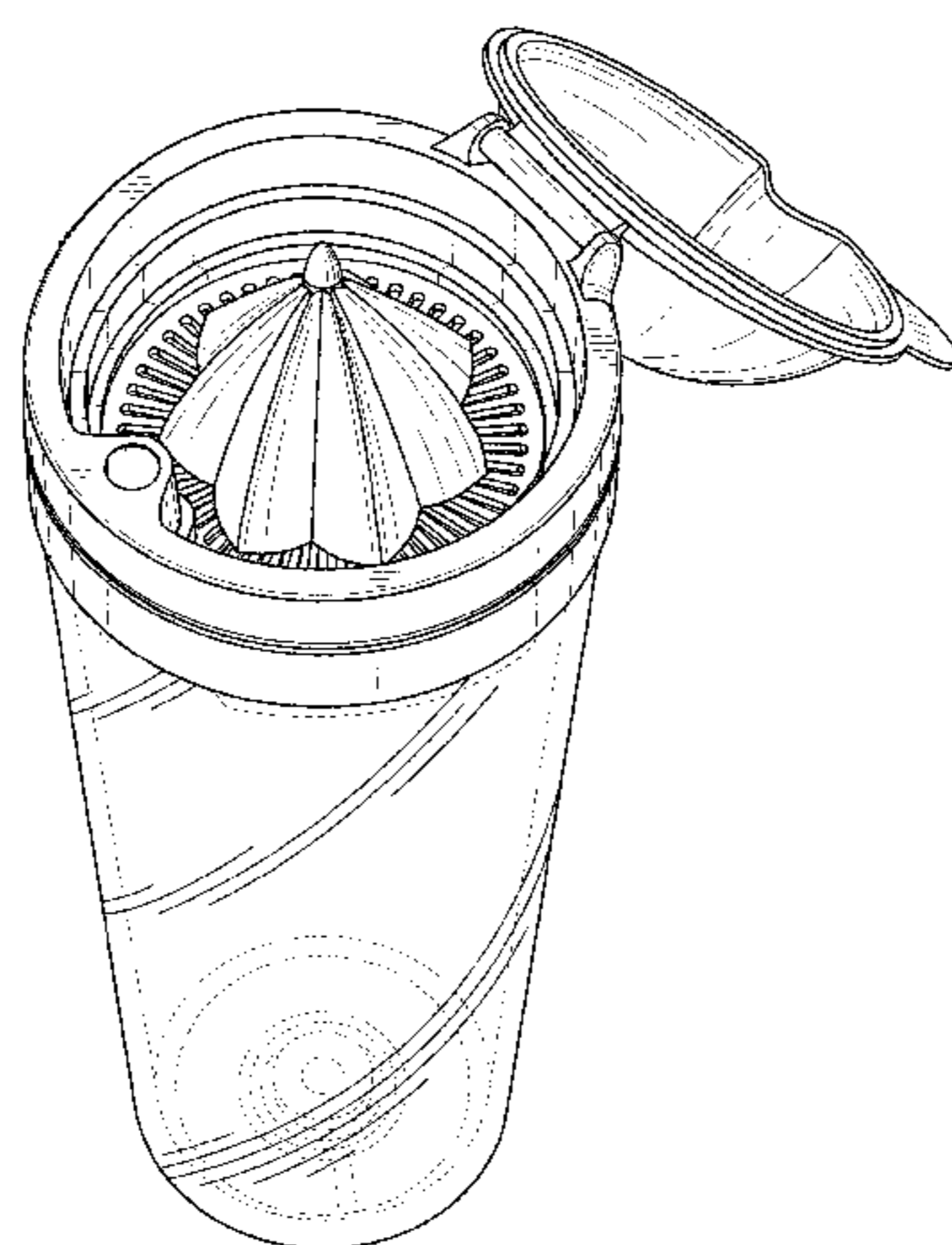
(57) **CLAIM**

I claim the ornamental design for a mug, as shown and described.

DESCRIPTION

FIG. 1 is a top perspective view of a mug showing my new design;
FIG. 2 is another top perspective view thereof with the lid in its open position;
FIG. 3 is a right side view of FIG. 1;
FIG. 4 is a rear view of FIG. 1;
FIG. 5 is a front view of FIG. 1;
FIG. 6 is a top view of FIG. 1; and,
FIG. 7 is a bottom view of FIG. 1.
The broken lines in the drawing depict portions of the mug that form no part of the claimed design.

1 Claim, 6 Drawing Sheets



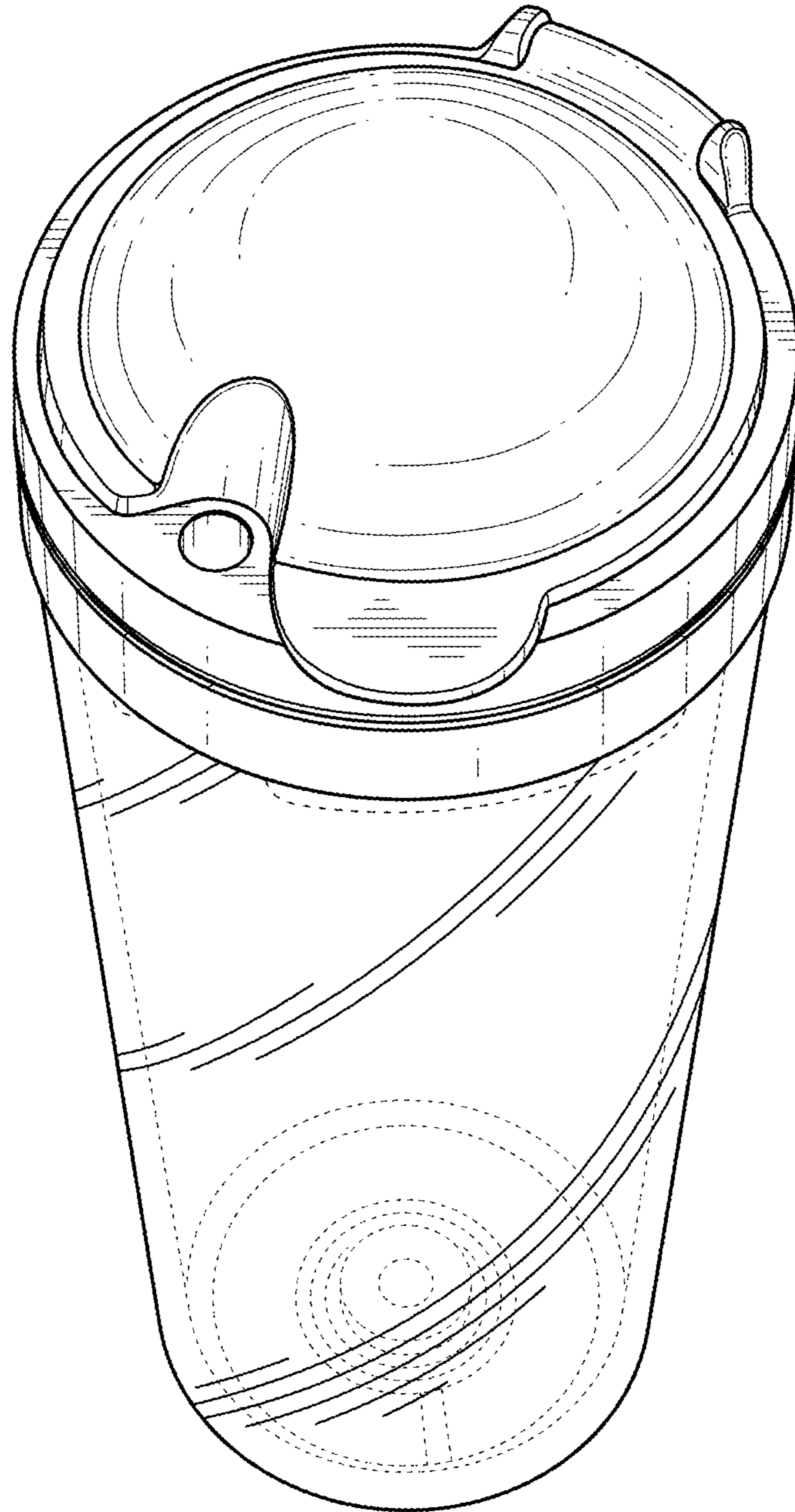


FIG. 1

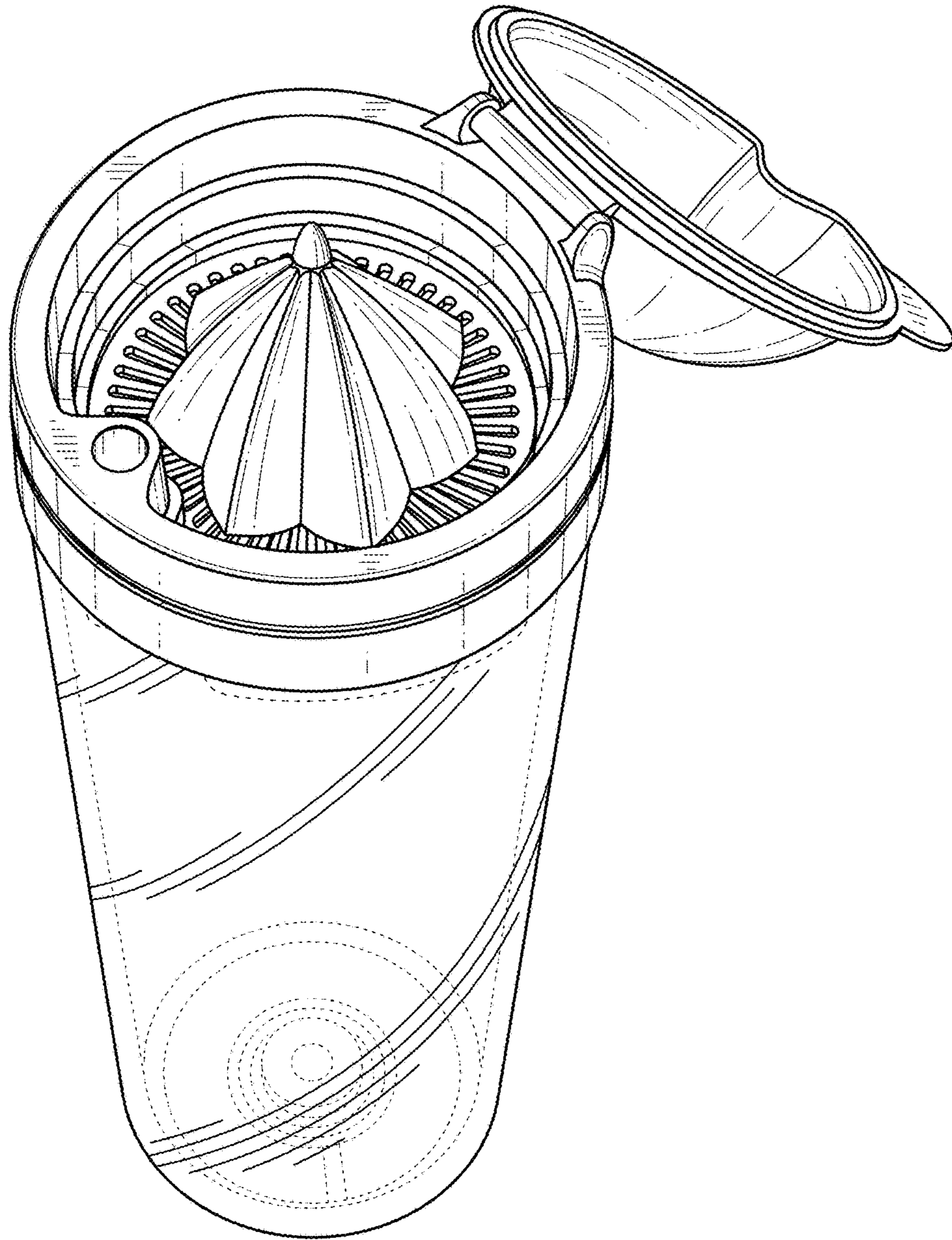


FIG. 2

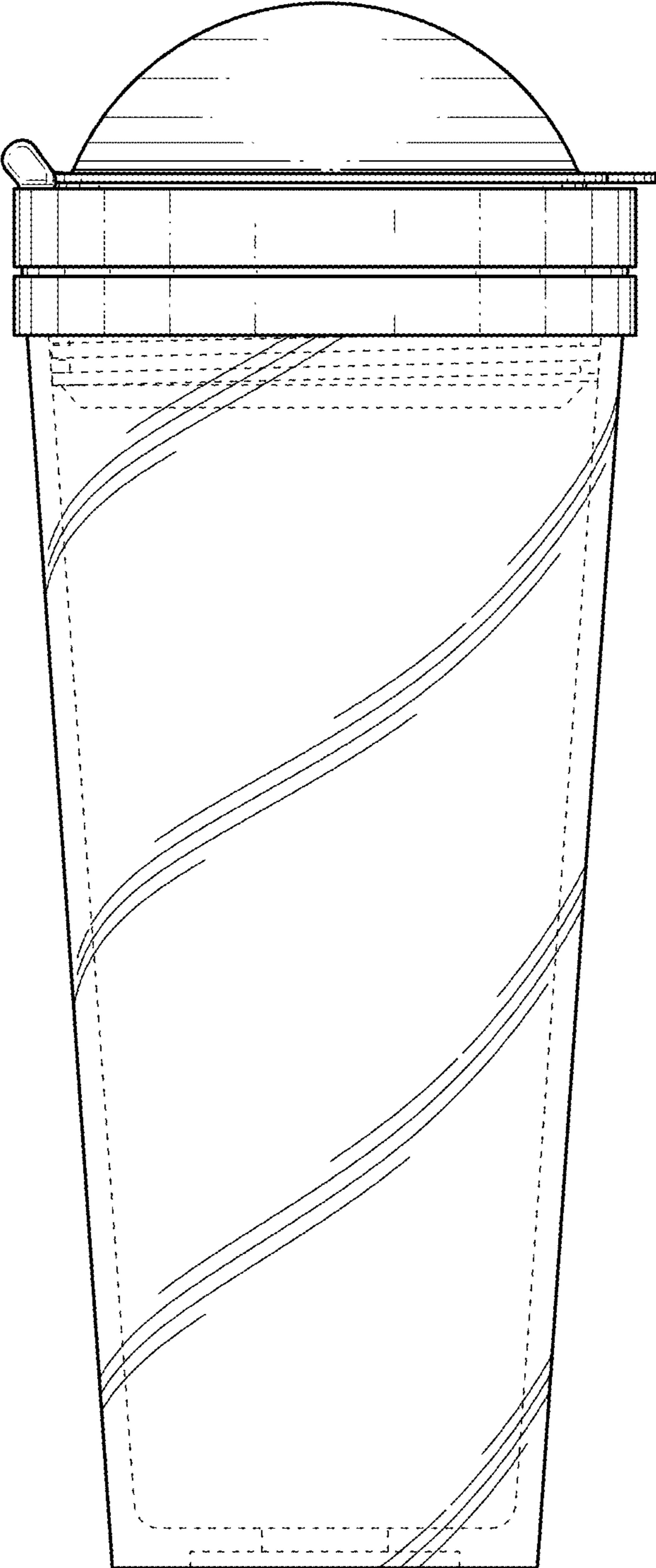


FIG. 3

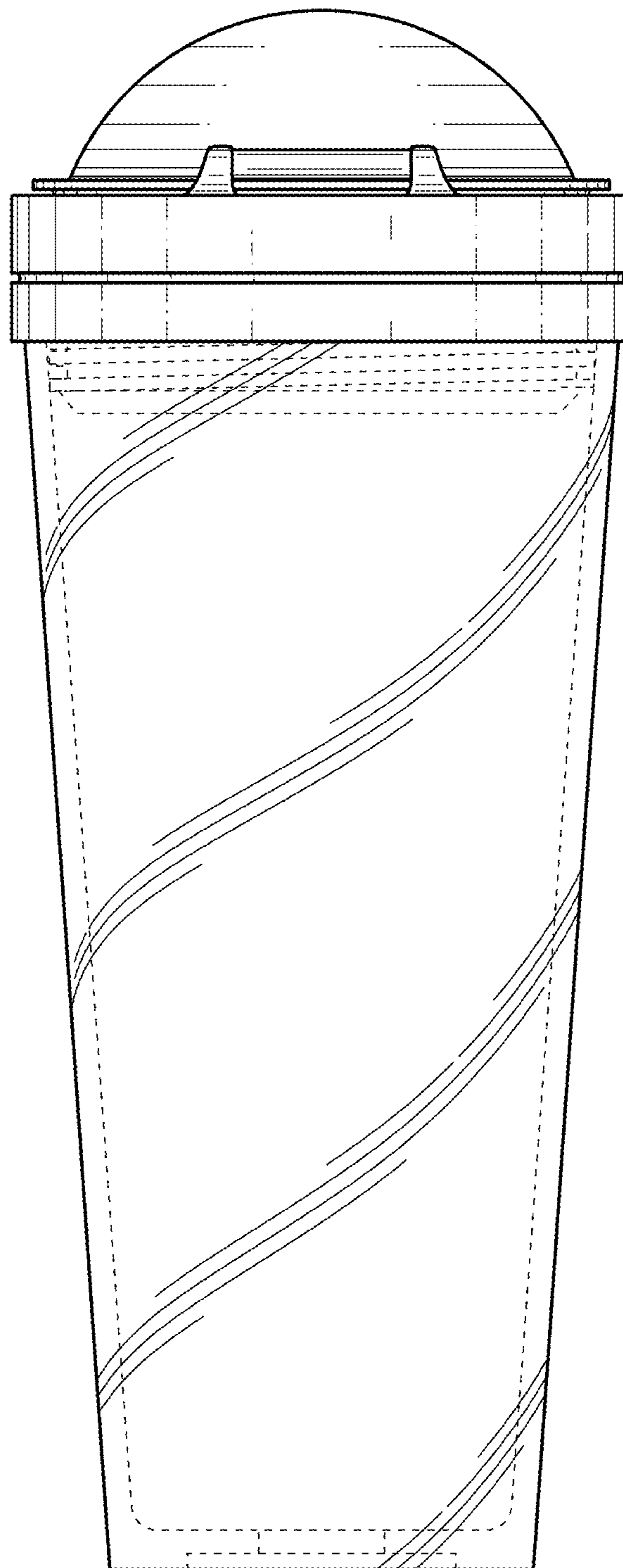


FIG. 4

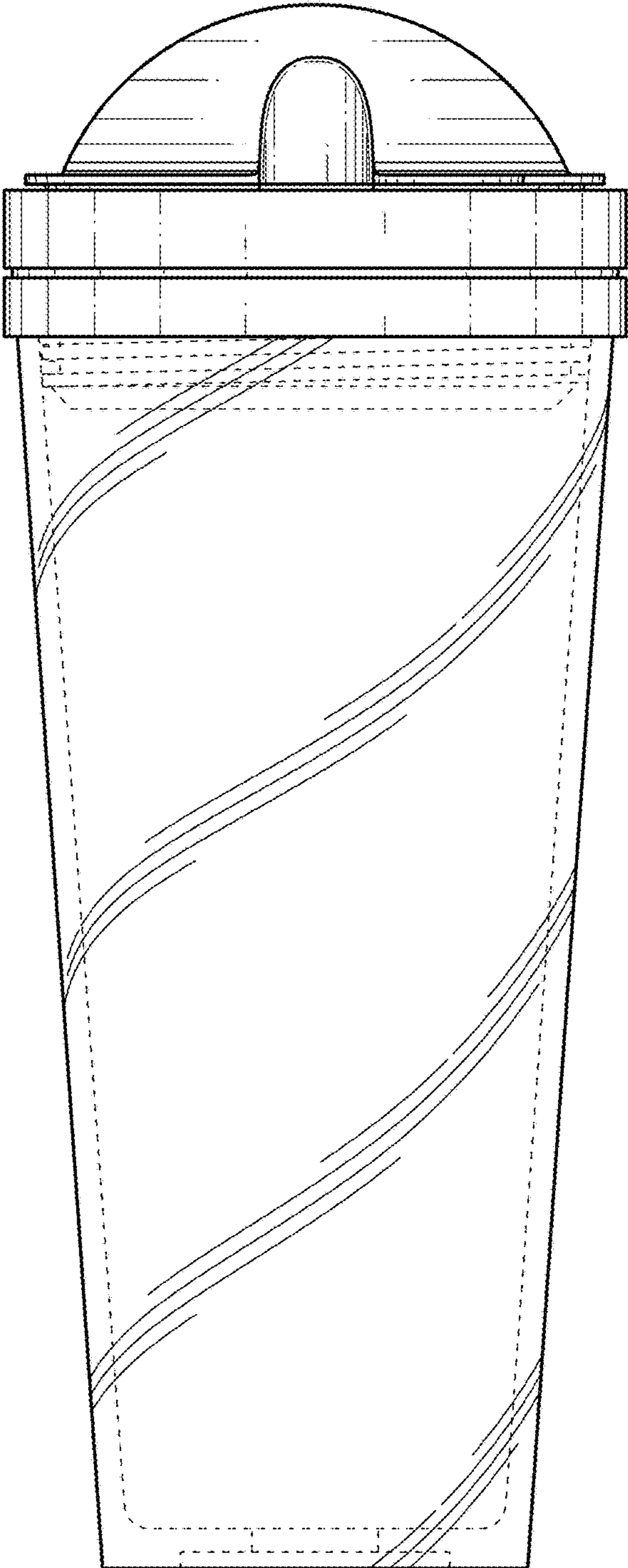


FIG. 5

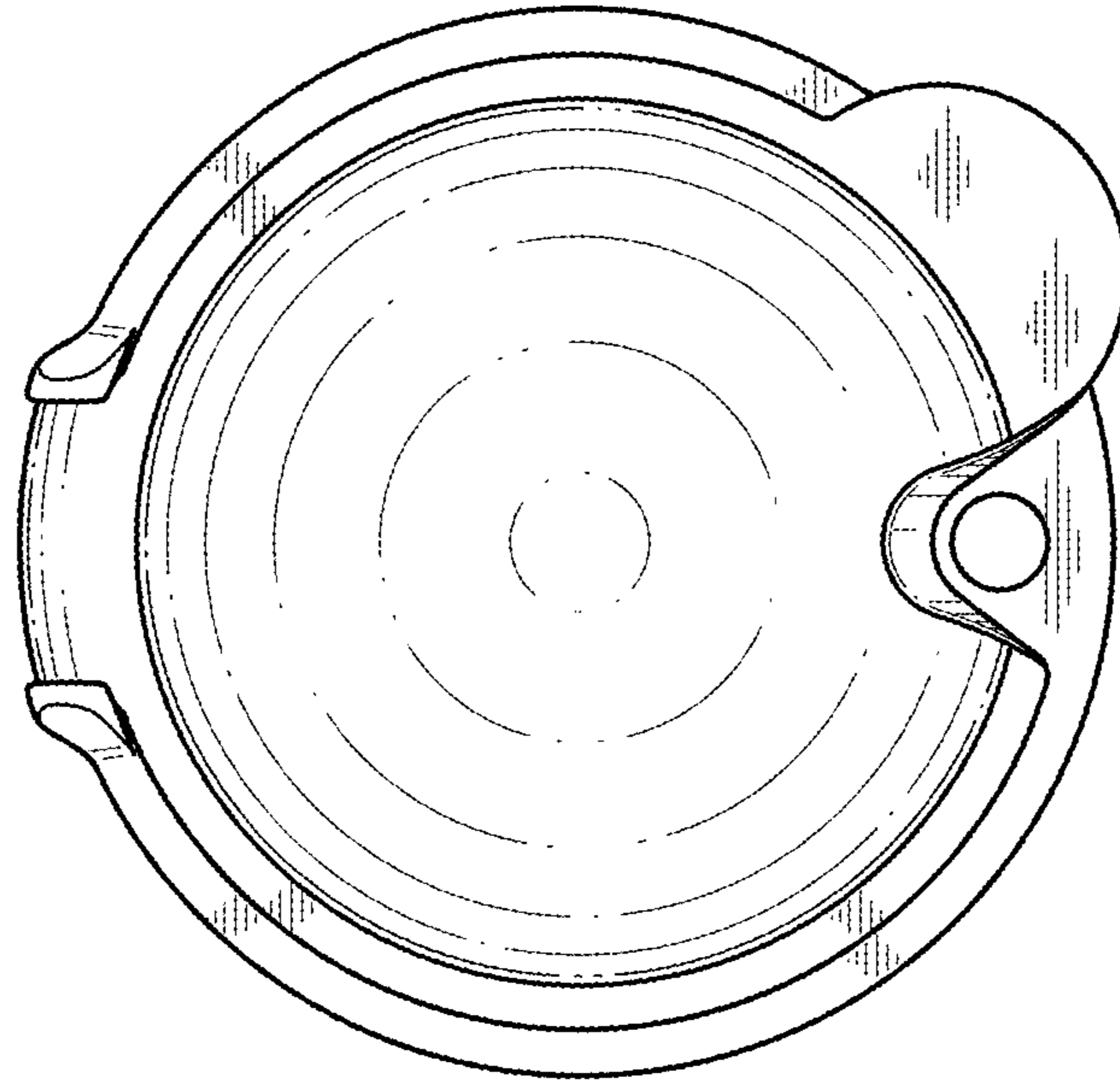


FIG. 6

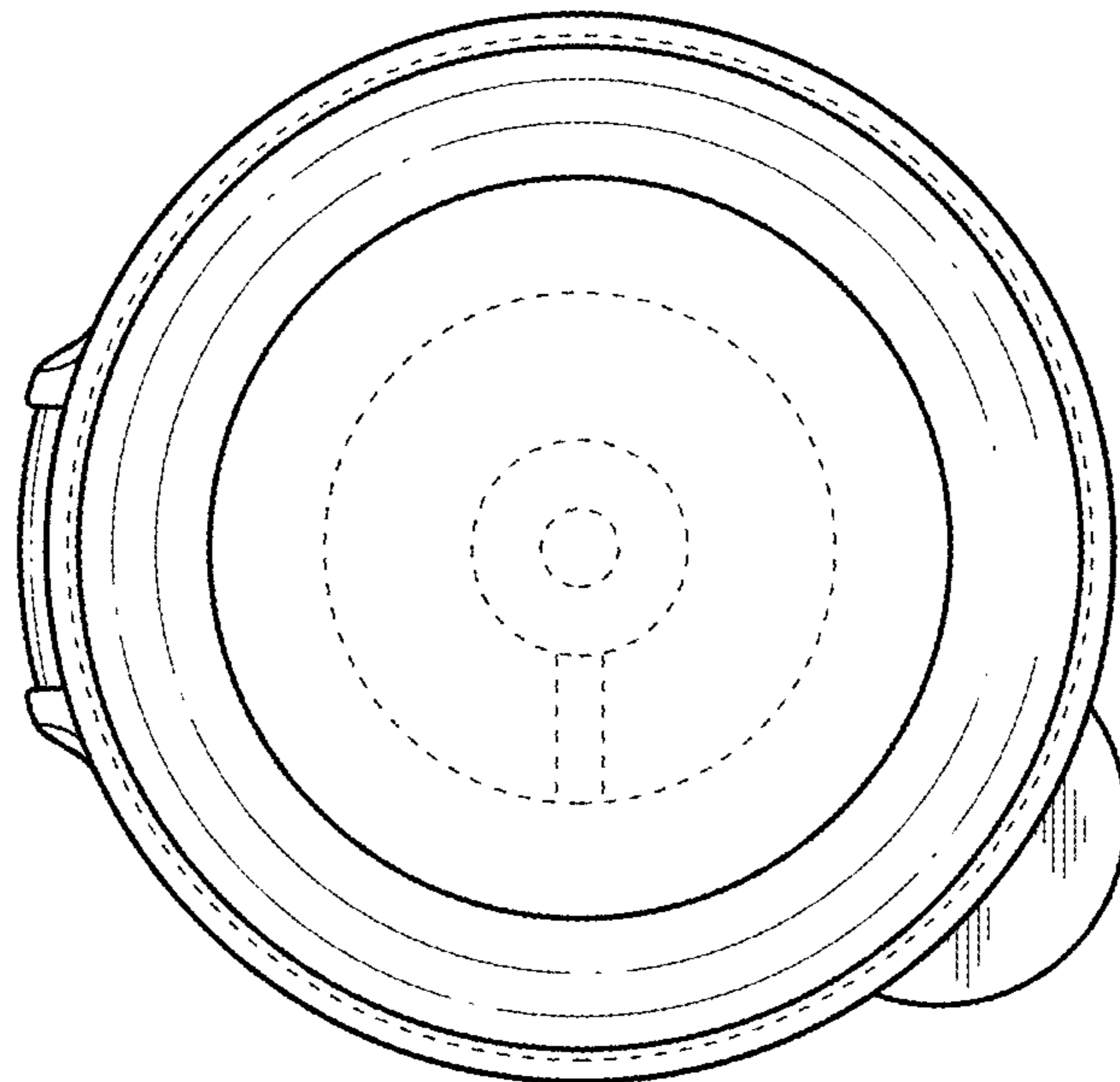


FIG. 7