



US00D773895S

(12) **United States Design Patent**  
**Dai**

(10) **Patent No.:** **US D773,895 S**

(45) **Date of Patent:** **\*\* Dec. 13, 2016**

(54) **MUG**

(71) Applicant: **Jin Dai**, Zhejiang (CN)

(72) Inventor: **Jin Dai**, Zhejiang (CN)

(73) Assignees: **Zhejiang Daian Commodity Co., Ltd.**,  
Zhejiang Province (CN); **Sharing**  
**Promo Stock Co.**, Baldwin Park, CA  
(US)

(\*\*) Term: **14 Years**

(21) Appl. No.: **29/518,319**

(22) Filed: **Feb. 23, 2015**

(30) **Foreign Application Priority Data**

Sep. 30, 2014 (CN) ..... 2014 3 0371661

(51) **LOC (10) Cl.** ..... **07-01**

(52) **U.S. Cl.**  
USPC ..... **D7/507; D7/510; D7/511; D7/523**

(58) **Field of Classification Search**  
USPC ..... D7/507, 510, 511, 523, 531, 532, 300.1,  
D7/591, 300.2, 608, 629, 387, 392.1,  
D7/396.2, 396.3, 665; D9/503, 435, 436,  
D9/440, 447, 449, 905, 454, 427, 446;  
220/200, 703, 705, 592.16, 596.17,  
220/495.03, 62.12; 215/45, 206, 224, 240,  
215/305; 206/154, 156  
CPC ..... A47G 19/2211; A47G 19/2266; A47G  
19/22; A45F 3/16; A37G 19/2272; B65D  
51/18; B65D 43/02; B65D 47/08; B65D  
41/56

See application file for complete search history.

(56) **References Cited**

**U.S. PATENT DOCUMENTS**

D163,342 S \* 5/1951 Wagner ..... D7/300.1  
3,288,344 A \* 11/1966 Woollen ..... A47G 19/065  
206/217

D476,193 S \* 6/2003 Janky ..... D7/510  
D505,831 S \* 6/2005 Liu ..... D7/510  
D608,147 S \* 1/2010 Sykes ..... D7/507  
8,783,506 B2 \* 7/2014 Lee ..... B65D 47/305  
206/217  
D723,871 S \* 3/2015 Khubani ..... D7/505  
8,973,776 B1 \* 3/2015 Buck ..... A47G 19/2272  
220/521  
9,078,535 B1 \* 7/2015 Buck ..... A47G 19/2205  
D755,013 S \* 5/2016 Khubani ..... D7/507  
D763,620 S \* 8/2016 Szymanski ..... D7/392.1  
D763,621 S \* 8/2016 Szymanski ..... D7/392.1  
2003/0173237 A1 \* 9/2003 Kim ..... B65D 3/24  
206/217  
2004/0089662 A1 \* 5/2004 Smith ..... B65D 43/0212  
220/253

\* cited by examiner

*Primary Examiner* — Marianne Pandozzi

*Assistant Examiner* — Jae Liang

(74) *Attorney, Agent, or Firm* — Jen-Feng Lee, Esq.

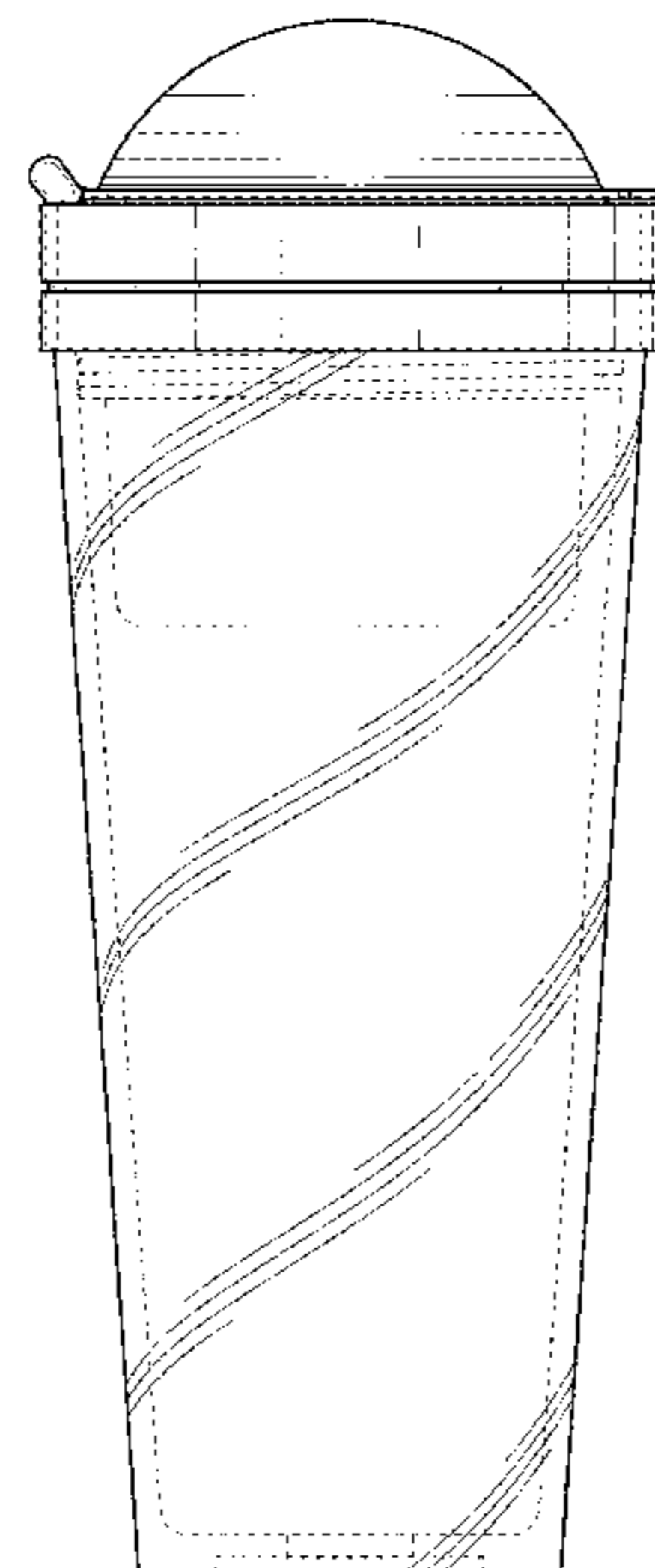
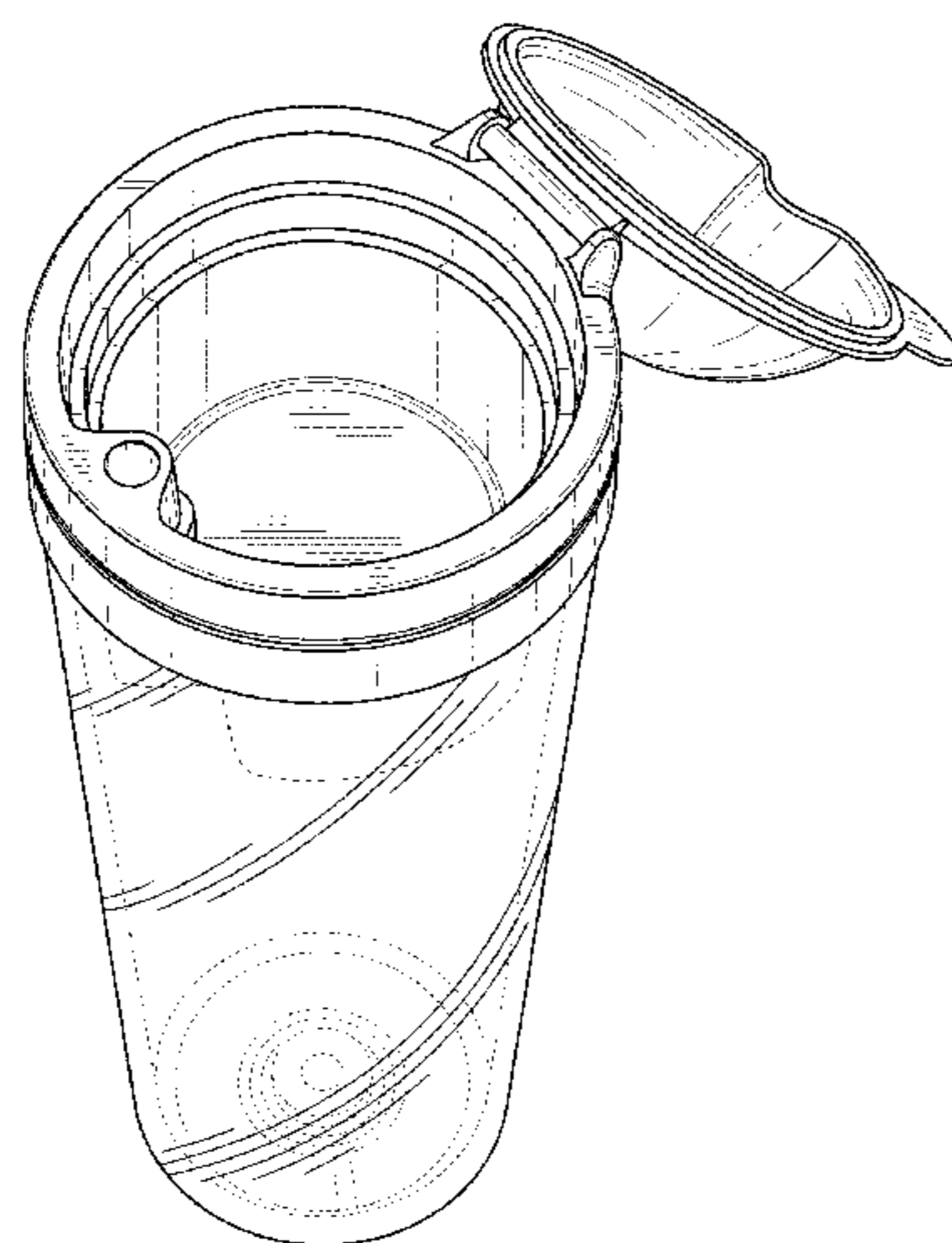
(57) **CLAIM**

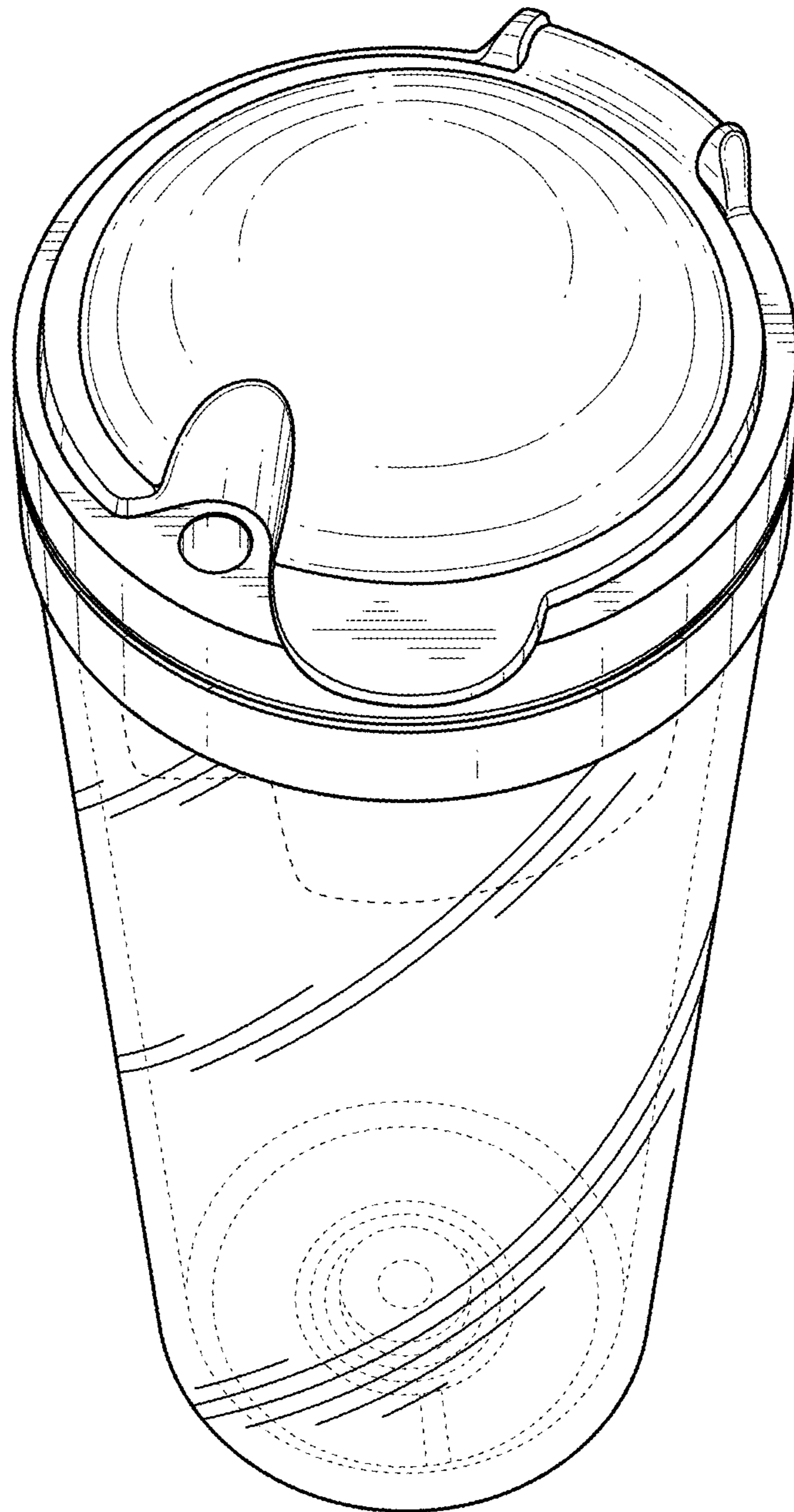
I claim the ornamental design for a mug, as shown and described.

**DESCRIPTION**

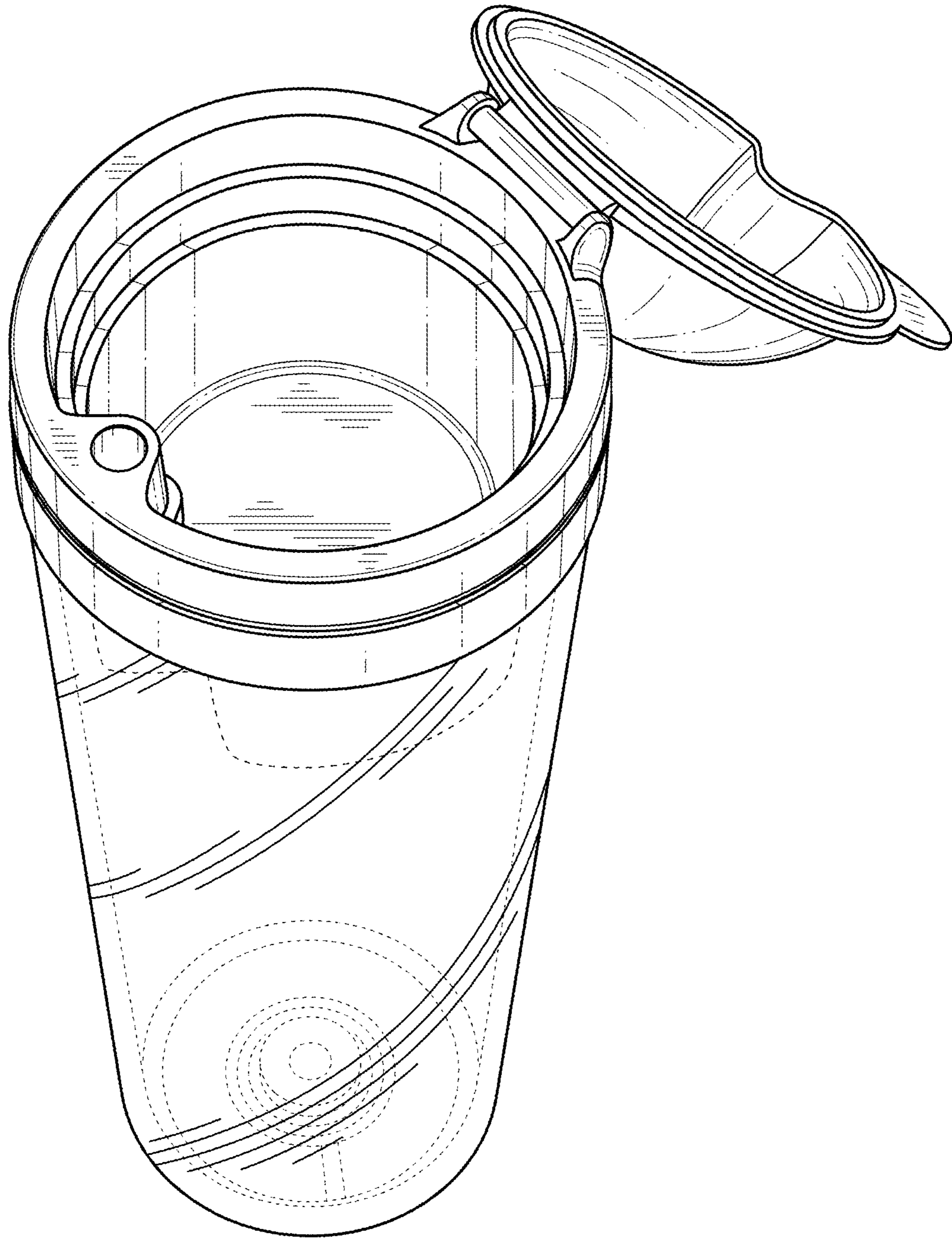
FIG. 1 is a top perspective view of a mug showing my new design;  
FIG. 2 is another top perspective view thereof with the lid in its open position;  
FIG. 3 is a right side view of FIG. 1;  
FIG. 4 is a rear view of FIG. 1;  
FIG. 5 is a front view of FIG. 1;  
FIG. 6 is a top view of FIG. 1; and,  
FIG. 7 is a bottom view of FIG. 1.  
The broken lines in the drawing depict portions of the mug that form no part of the claimed design.

**1 Claim, 6 Drawing Sheets**

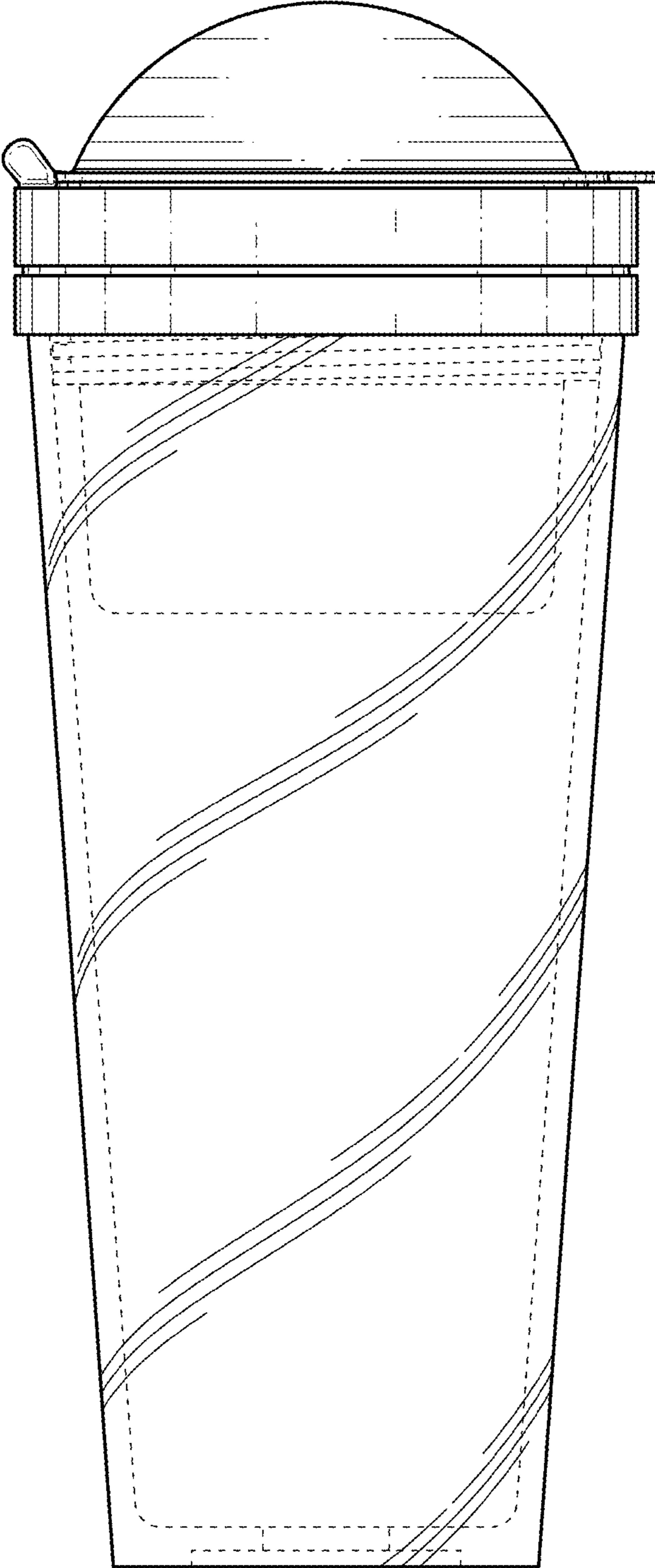




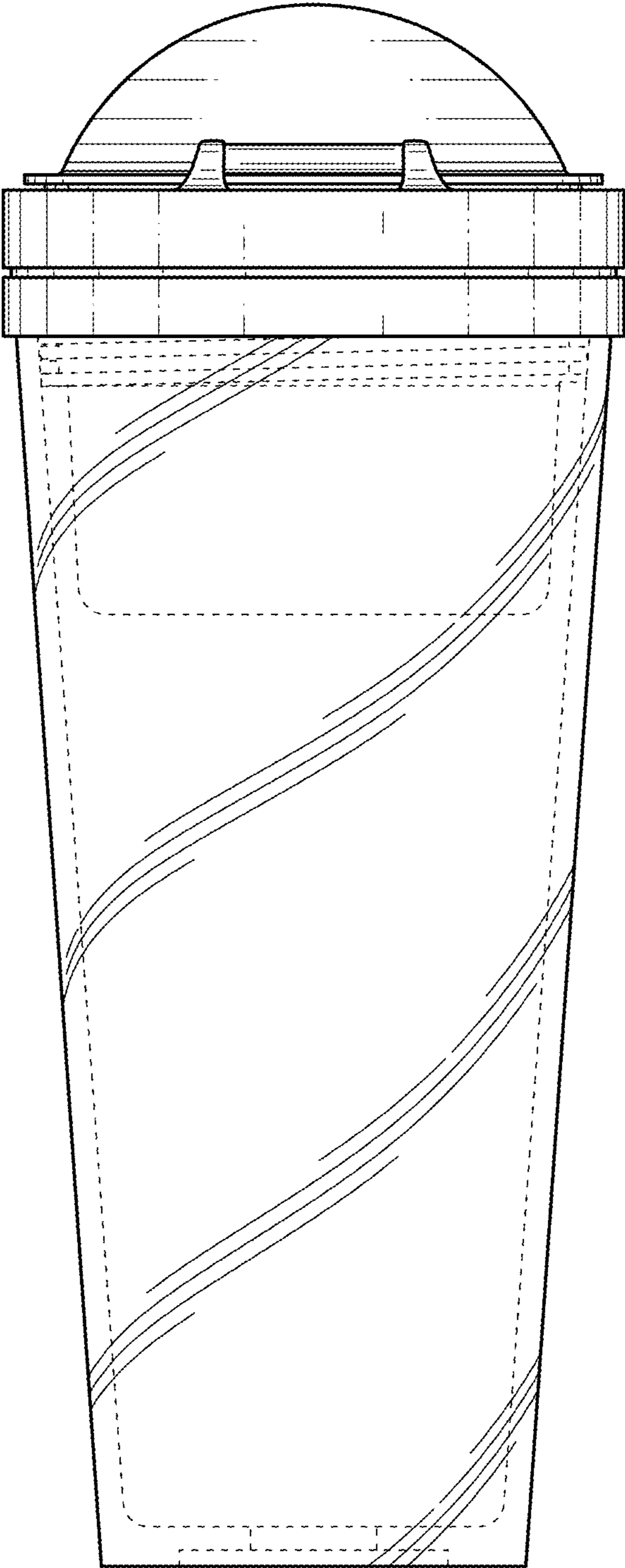
**FIG. 1**



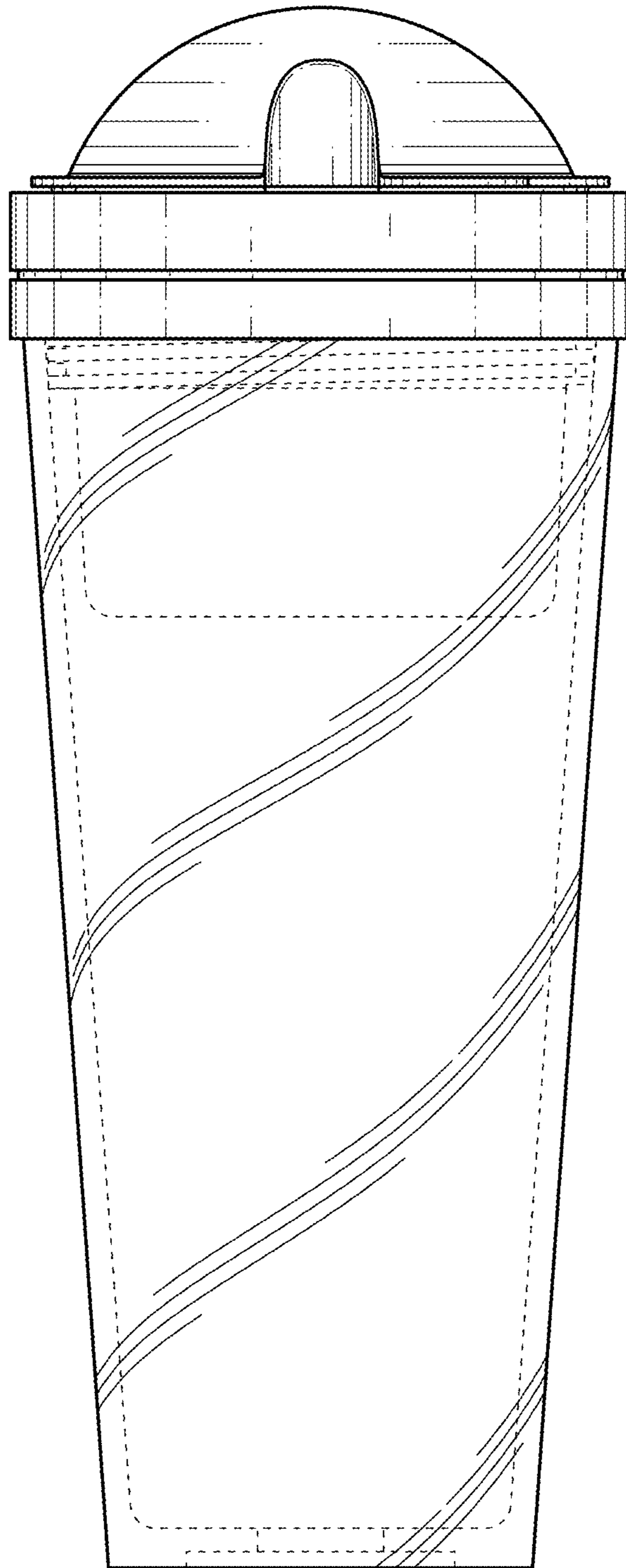
**FIG. 2**



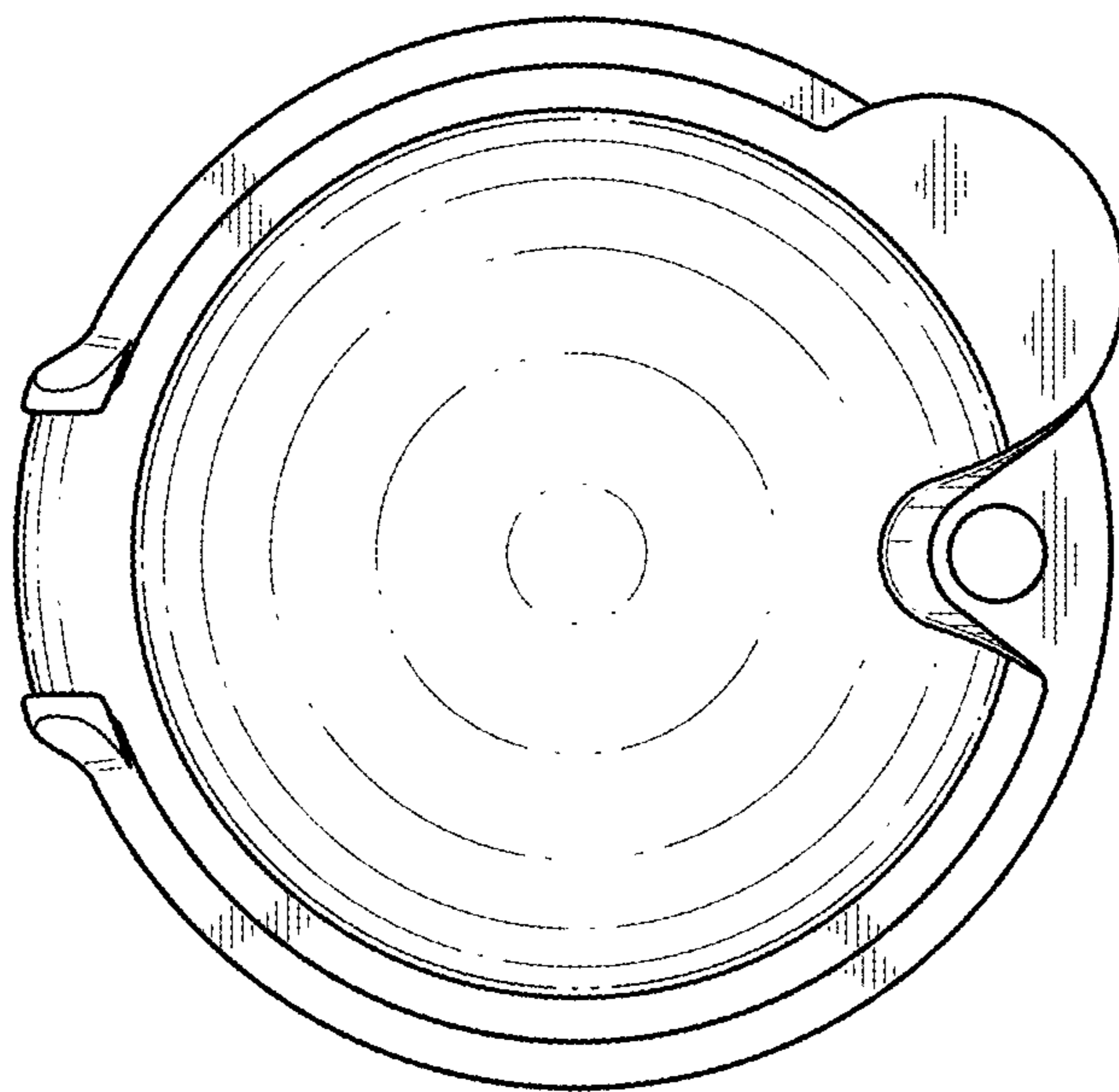
**FIG. 3**



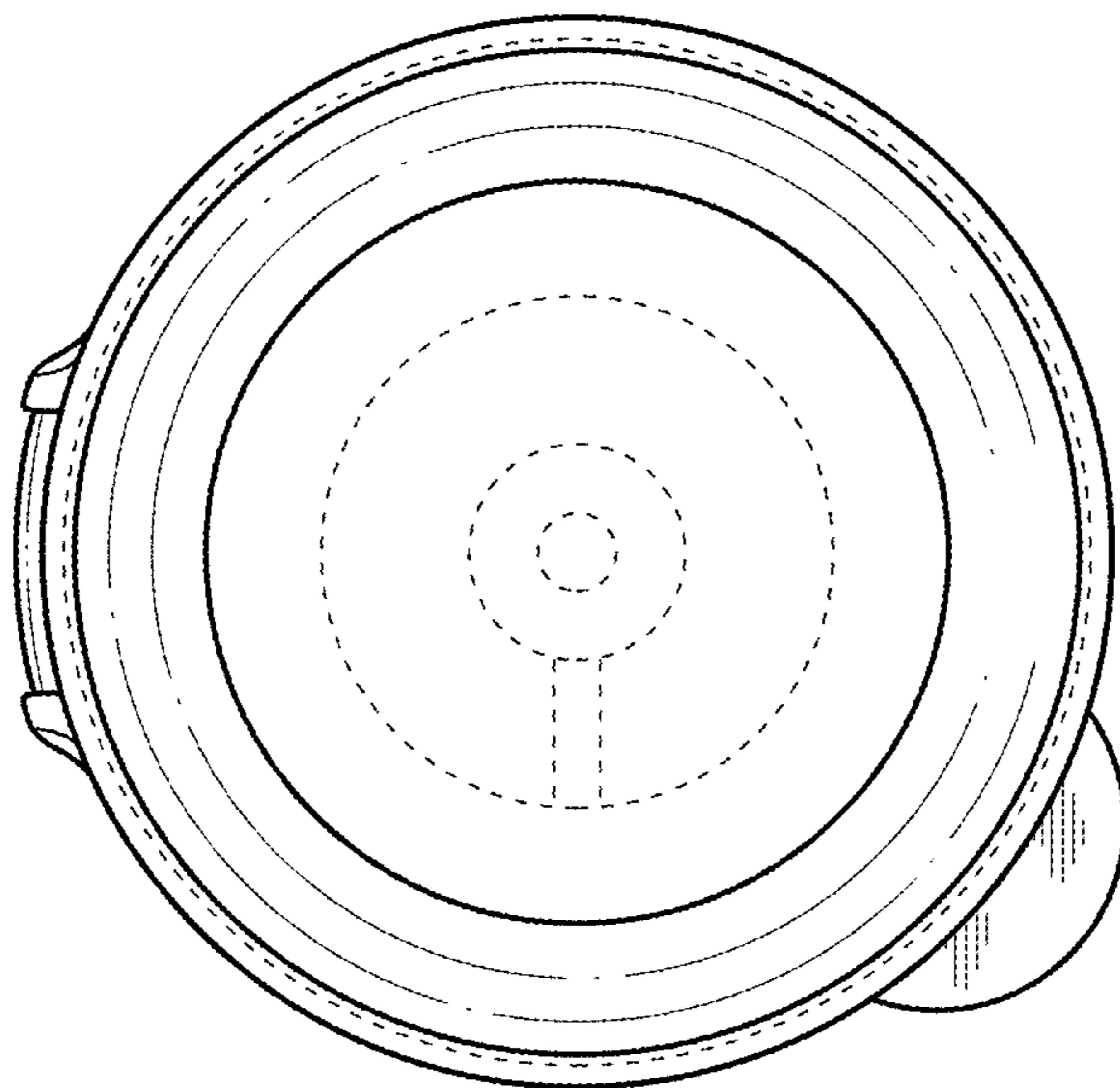
**FIG. 4**



**FIG. 5**



**FIG. 6**



**FIG. 7**