



US00D773894S

(12) **United States Design Patent** (10) **Patent No.:** **US D773,894 S**  
**Benoit et al.** (45) **Date of Patent:** **\*\* Dec. 13, 2016**

(54) **FOOD PROCESSING DEVICE**  
 (71) Applicant: **Whirlpool Corporation**, Benton Harbor, MI (US)  
 (72) Inventors: **Kaitlyn M. Benoit**, St. Joseph, MI (US); **John W. McConnell**, St. Joseph, MI (US)  
 (73) Assignee: **Whirlpool Corporation**, Benton Harbor, MI (US)  
 (\*\*) Term: **14 Years**  
 (21) Appl. No.: **29/519,534**  
 (22) Filed: **Mar. 5, 2015**  
 (51) **LOC (10) Cl.** ..... **31-00**  
 (52) **U.S. Cl.**  
 USPC ..... **D7/412; D7/381**  
 (58) **Field of Classification Search**  
 USPC ..... D7/372, 376-386, 665-666, 669, D7/678-679, 693-694  
 CPC ..... A01F 2015/07; A01F 2015/077; A01F 2015/0775; A23N 1/00; A23N 1/02; A23N 4/14; A47J 17/04; A47J 7/16; A47J 19/00; A47J 19/005; A47J 19/02; A47J 19/04; A47J 19/06; A47J 42/32; A47J 42/34; A47J 42/36; A47J 43/044; A47J 43/25; A47J 43/255; B01F 7/26; B01F 7/28; B01F 11/0082; B01F 13/04; B02C 13/00; B02C 13/02; B02C 13/10; B02C 18/06; B02C 18/26; B02C 18/30; B02C 18/302; B02C 18/304; B02C 18/305; B02C 25/00; B02C 2002/00; B02C 2013/00; B02C 2013/14; B02C 2013/145; B02C 2013/18; B02C 2013/1807; B02C 2013/1857; B02C 2013/1864; B26D 3/11; B30B 9/00; B30B 9/16; B30B 9/18; B30B 9/20; B30B 9/26; B30B 9/205; B30B 9/207  
 See application file for complete search history.

(56) **References Cited**

U.S. PATENT DOCUMENTS

|             |        |            |                      |
|-------------|--------|------------|----------------------|
| 62,184 A    | 2/1867 | Coe        |                      |
| 100,280 A   | 3/1870 | Gerhard    |                      |
| 243,035 A   | 6/1881 | Geer       |                      |
| 256,214 A   | 4/1882 | Heizmann   |                      |
| 256,800 A   | 4/1882 | Holton     |                      |
| 273,418 A   | 3/1883 | Whittemore |                      |
| 310,196 A * | 1/1885 | Goodell    | A47J 17/16<br>99/543 |
| 319,905 A * | 6/1885 | Hudson     | A47J 17/16<br>99/543 |
| 360,527 A * | 4/1887 | Hudson     | A23N 4/14<br>99/541  |

(Continued)

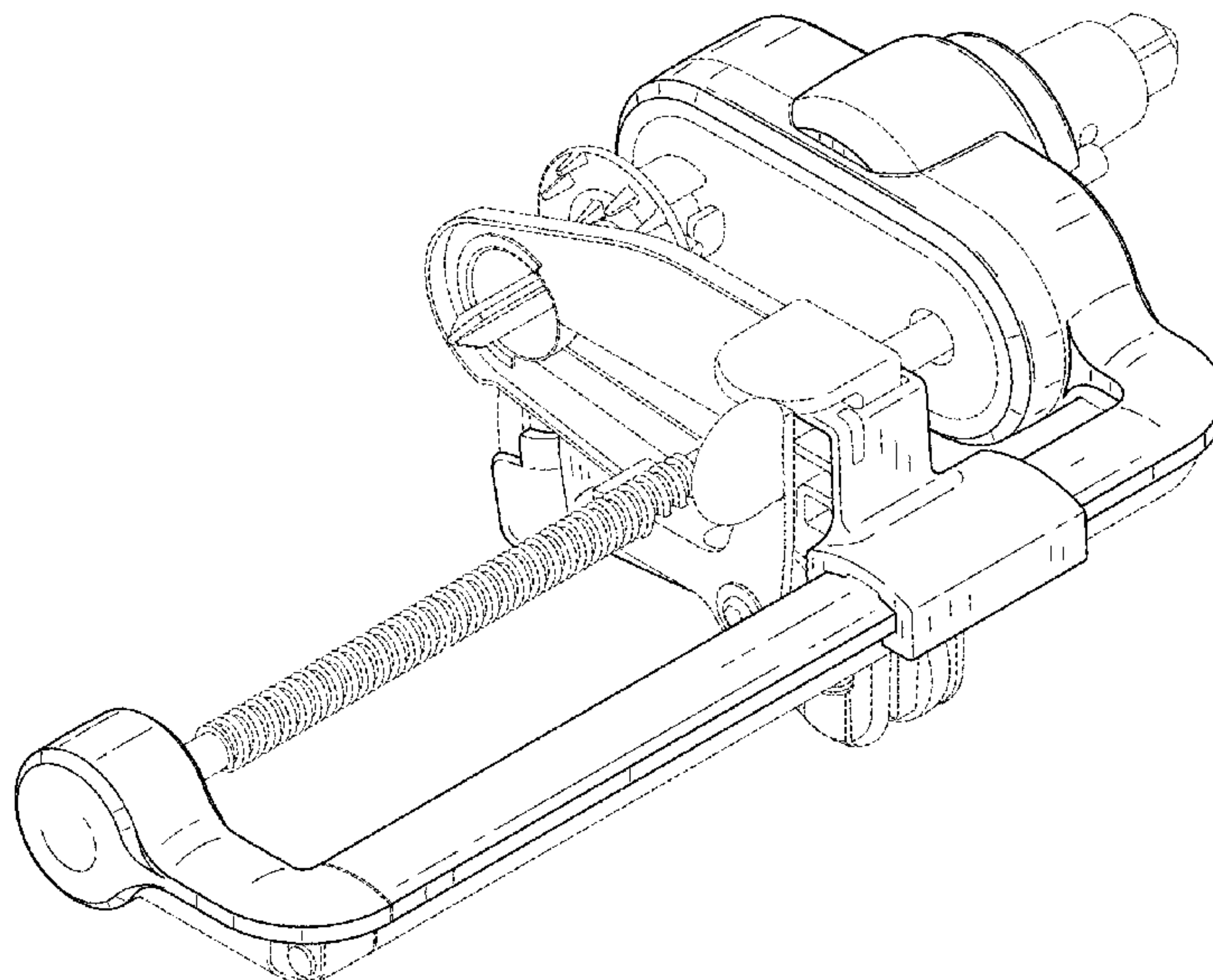
Primary Examiner — Ricky Pham

(57) **CLAIM**  
 The ornamental design for a food processing device, as shown and described.

**DESCRIPTION**

FIG. 1 is a front-top perspective view of an food processing device according to a first embodiment of our design; FIG. 2 is a rear-bottom perspective view thereof; FIG. 3 is a right side view thereof; FIG. 4 is a left side view thereof; FIG. 5 is a back view thereof; FIG. 6 is a front view thereof; FIG. 7 is a top view thereof; and, FIG. 8 is a bottom view thereof.  
 Broken lines are environmental only and form no part of the claimed design; and  
 Dash-dot lines adjacent un-shaded areas represent bounds of the claimed design and form no part of the claimed design themselves.

**1 Claim, 7 Drawing Sheets**



(56)

References Cited

U.S. PATENT DOCUMENTS

|               |         |                  |                      |                |         |               |                      |
|---------------|---------|------------------|----------------------|----------------|---------|---------------|----------------------|
| 959,137 A *   | 5/1910  | Hinchliffe ..... | A47J 17/16<br>83/70  | 4,581,990 A    | 4/1986  | Matsumoto     |                      |
| 1,006,621 A   | 10/1911 | Arnold           |                      | 4,619,192 A    | 10/1986 | Cycyk et al.  |                      |
| 1,008,555 A   | 11/1911 | Mower            |                      | 4,628,808 A    | 12/1986 | Simon         |                      |
| 1,956,492 A * | 4/1934  | China .....      | A47J 17/04<br>99/599 | 4,704,959 A    | 11/1987 | Scallen       |                      |
| 2,056,843 A * | 10/1936 | Erro .....       | A47J 17/04<br>99/595 | 5,558,011 A    | 9/1996  | Heim          |                      |
| 2,156,645 A   | 5/1939  | Waller           |                      | 5,690,022 A *  | 11/1997 | Chai .....    | A47J 17/16<br>99/541 |
| 2,410,683 A   | 11/1946 | Rios Y Marquez   |                      | RE36,155 E     | 3/1999  | Scallen       |                      |
| 2,464,993 A   | 3/1949  | Ross             |                      | 5,878,643 A *  | 3/1999  | Hwang .....   | B26D 3/11<br>83/410  |
| 2,508,868 A   | 5/1950  | Ross             |                      | 5,950,528 A    | 9/1999  | Wang          |                      |
| 2,693,210 A   | 11/1954 | Gustafson        |                      | 5,957,045 A    | 9/1999  | He et al.     |                      |
| 3,211,202 A   | 10/1965 | Mason            |                      | D414,983 S *   | 10/1999 | Wong .....    | D7/381               |
| 3,357,469 A   | 12/1967 | Pease et al.     |                      | 6,053,098 A    | 4/2000  | Yamamoto      |                      |
| RE26,684 E    | 10/1969 | Mason            |                      | 6,854,383 B2 * | 2/2005  | Wang .....    | A47J 17/16<br>99/542 |
| 3,952,621 A   | 4/1976  | Chambos          |                      | 7,032,491 B2 * | 4/2006  | Fischer ..... | B26D 3/11<br>83/733  |
|               |         |                  |                      | D669,324 S *   | 10/2012 | Bodum .....   | D7/693               |
|               |         |                  |                      | D747,916 S *   | 1/2016  | Wong .....    | D7/381               |

\* cited by examiner

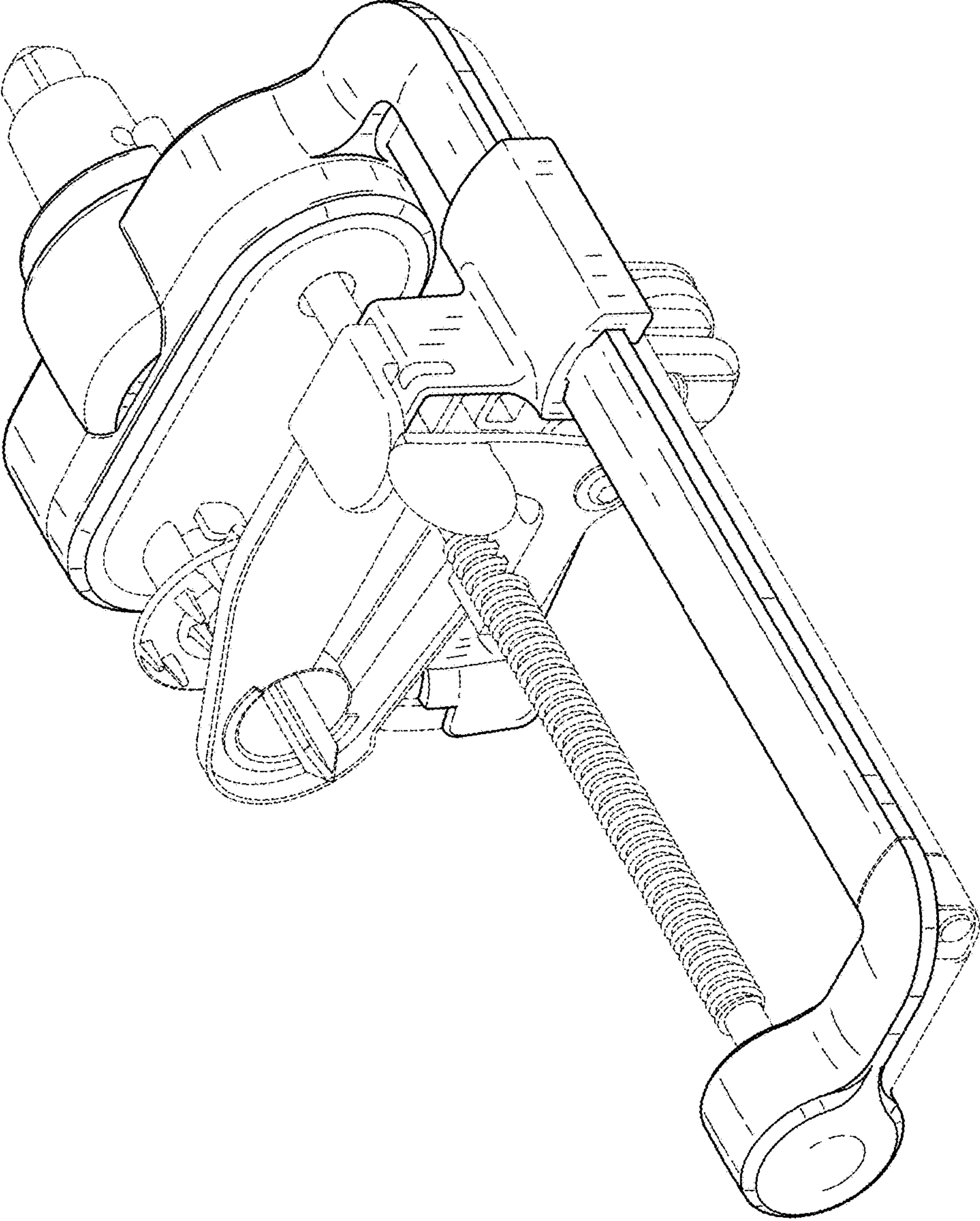


FIG. 1



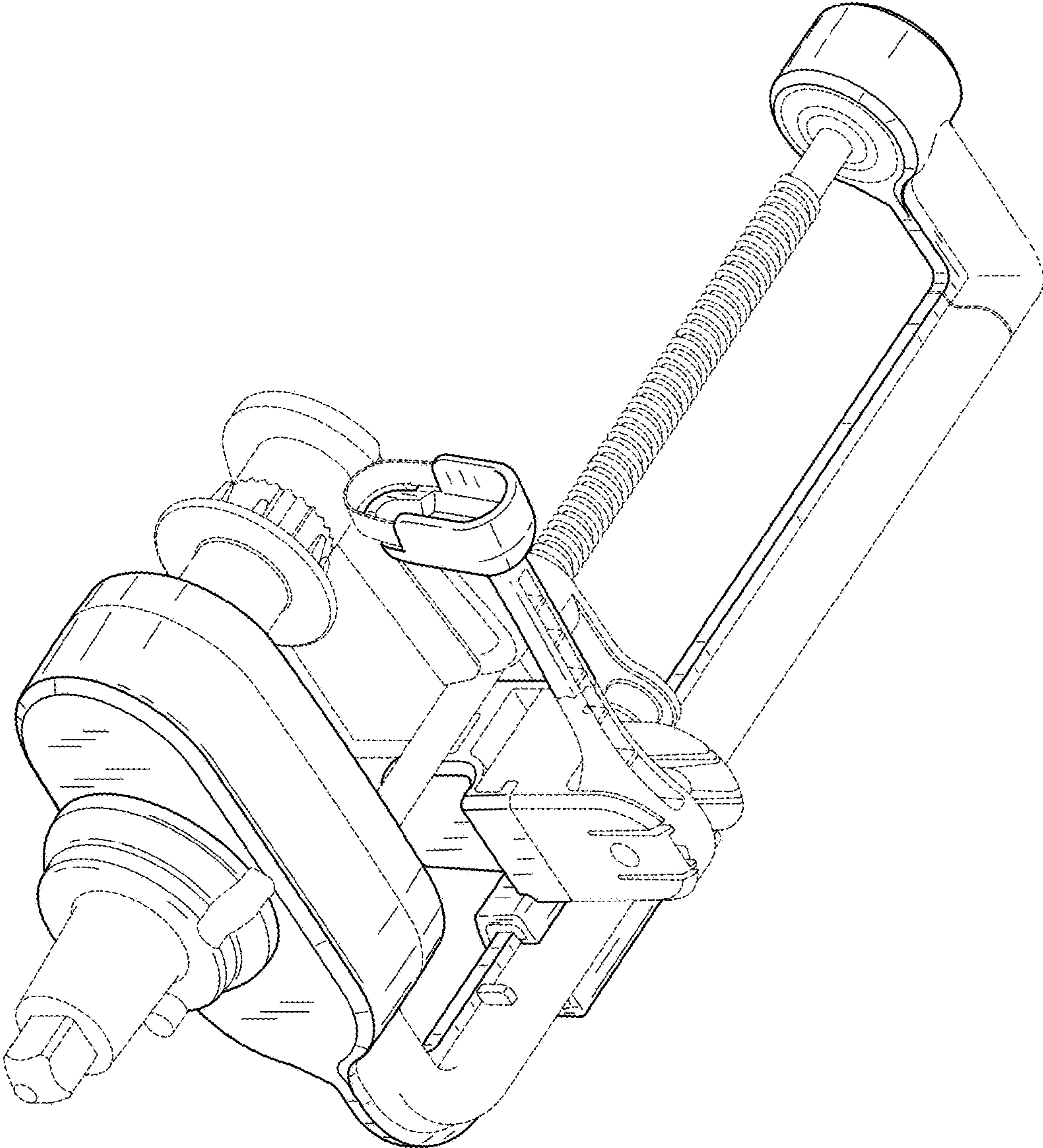


FIG. 2

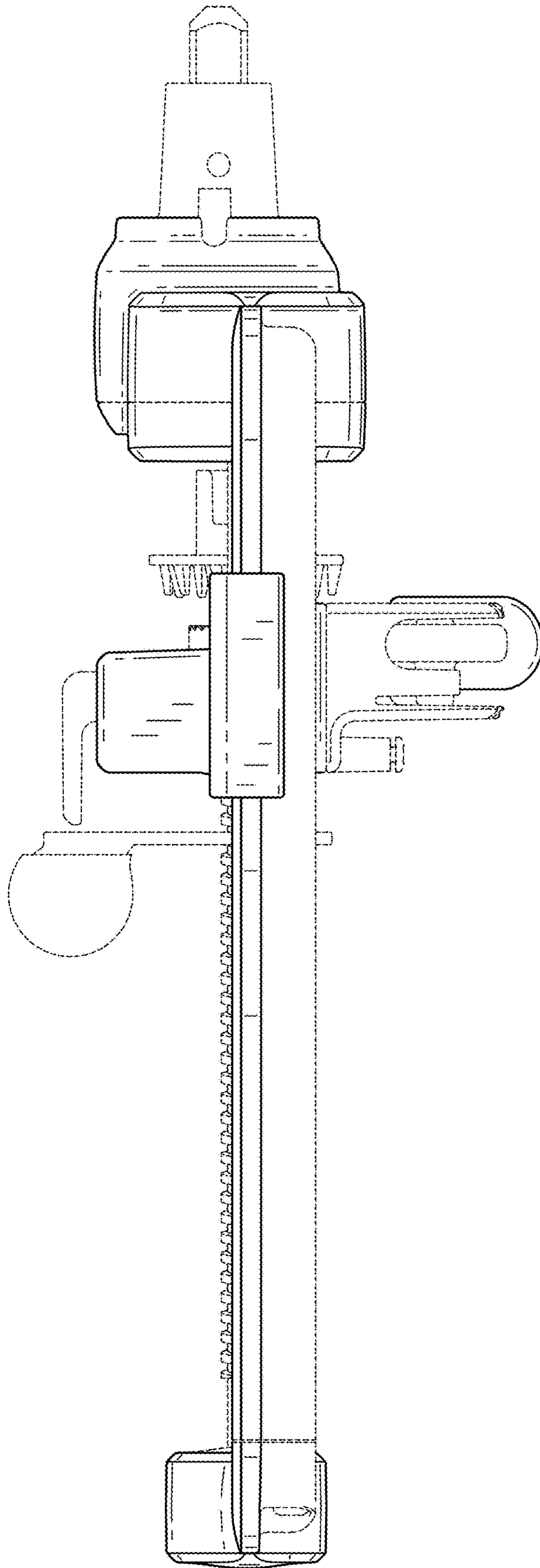


FIG. 3

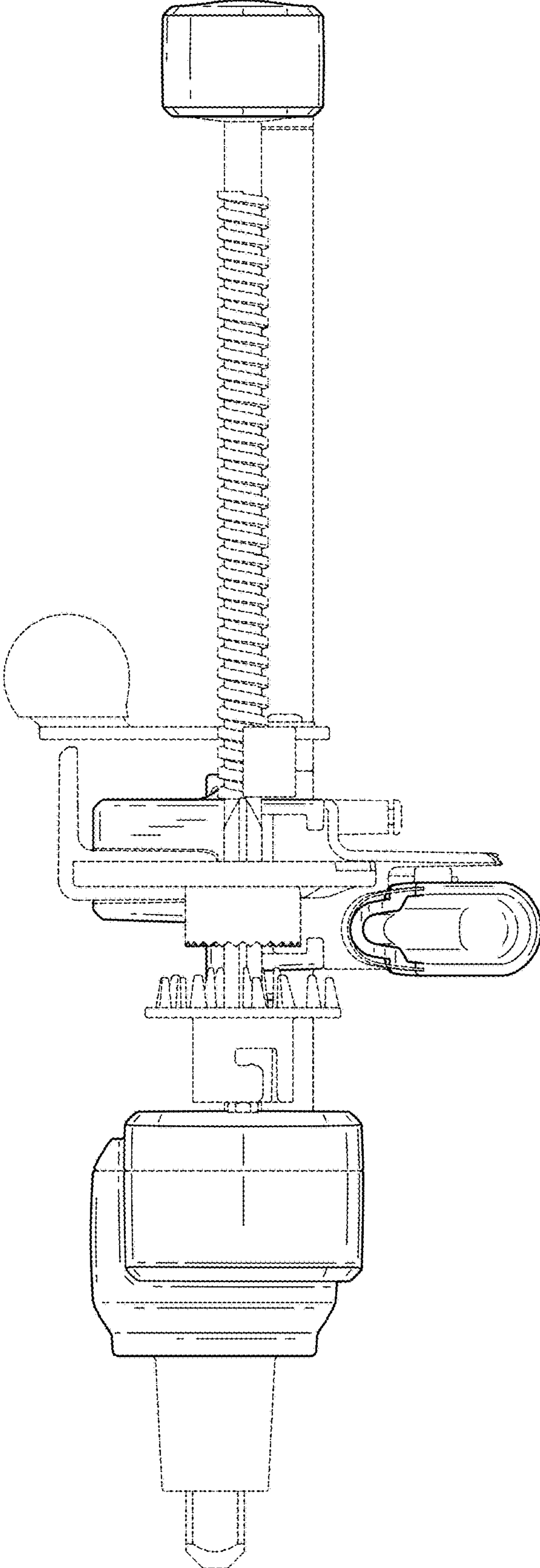
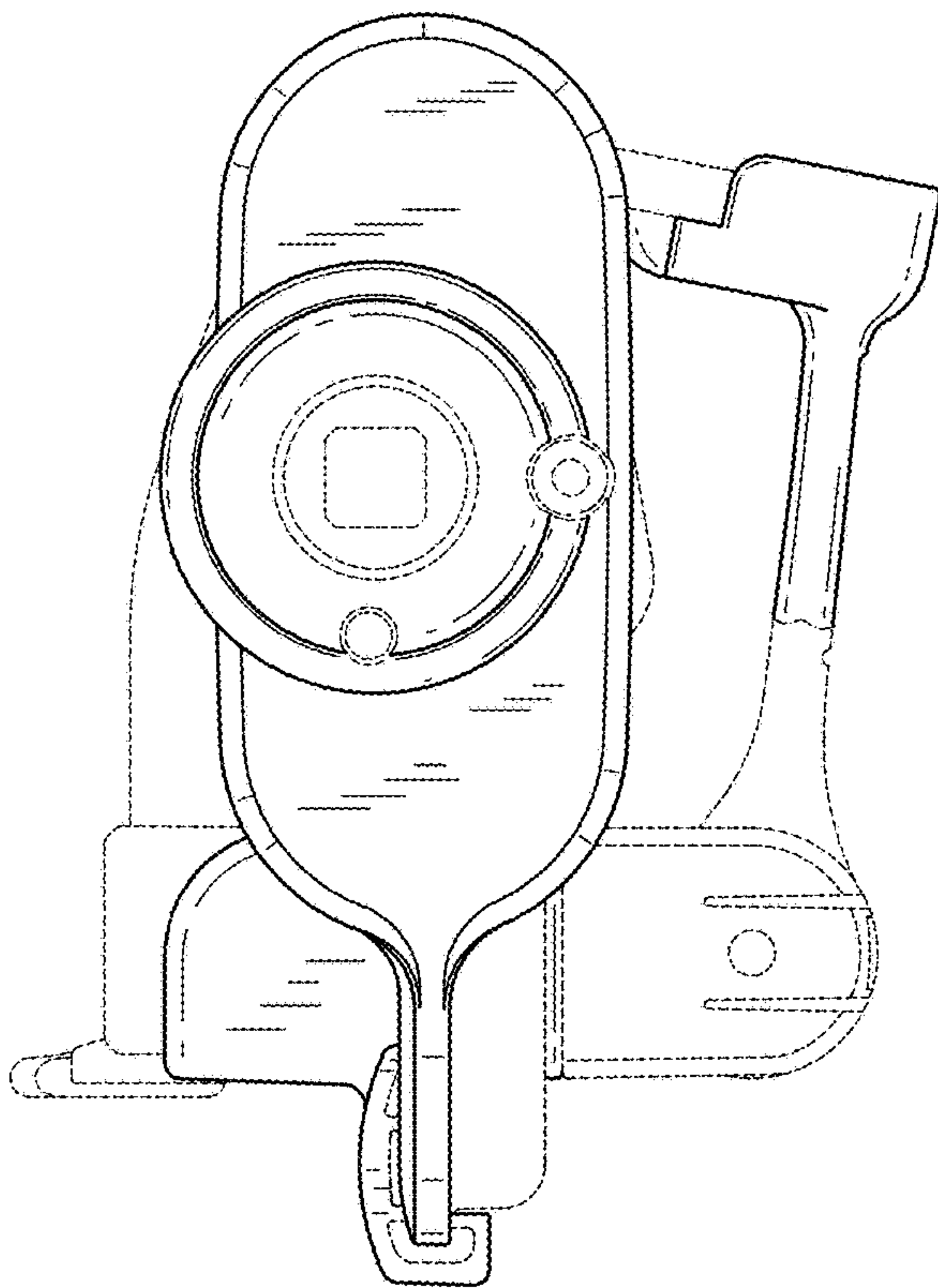
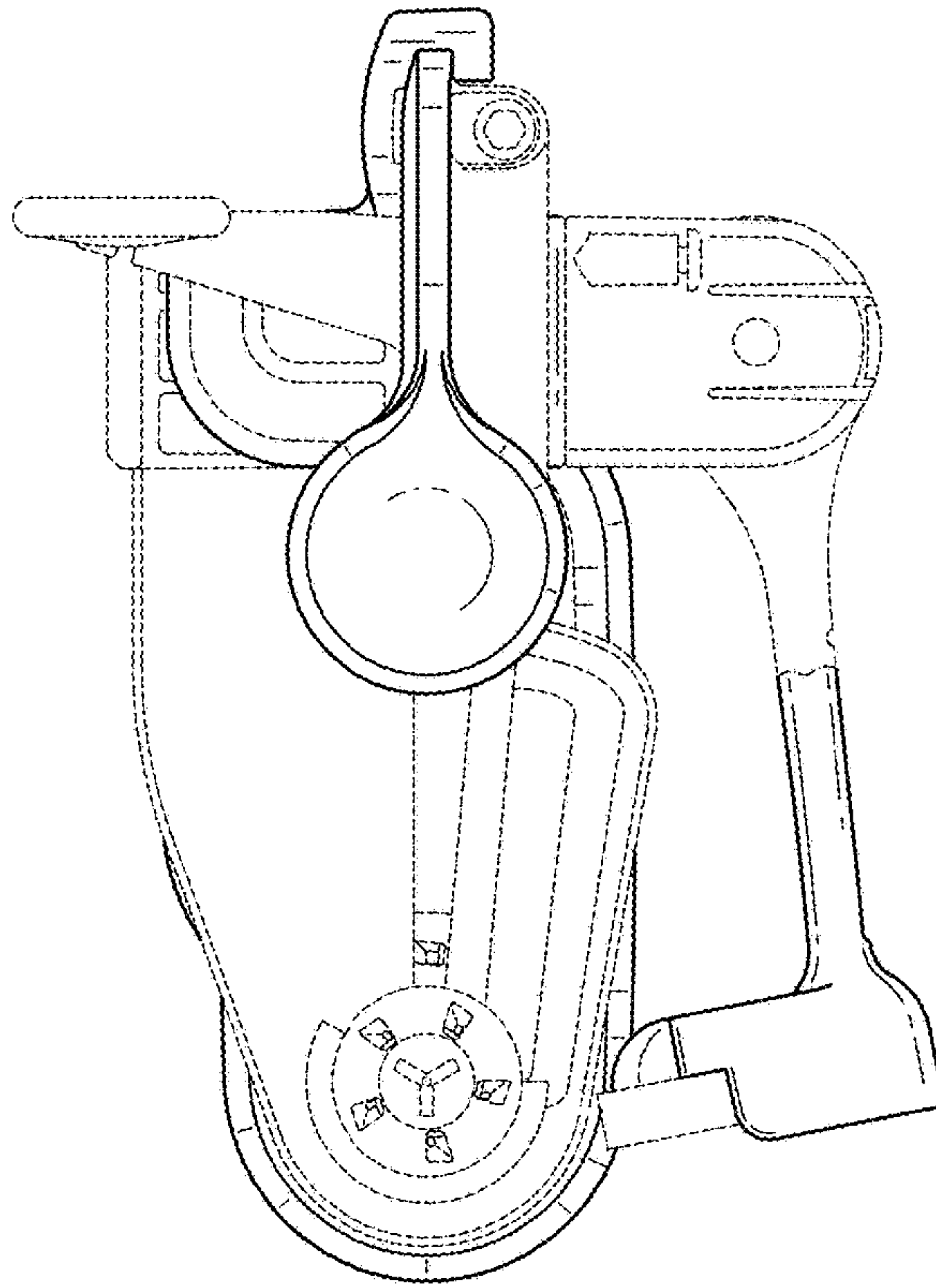


FIG. 4



**FIG. 5**



**FIG. 6**

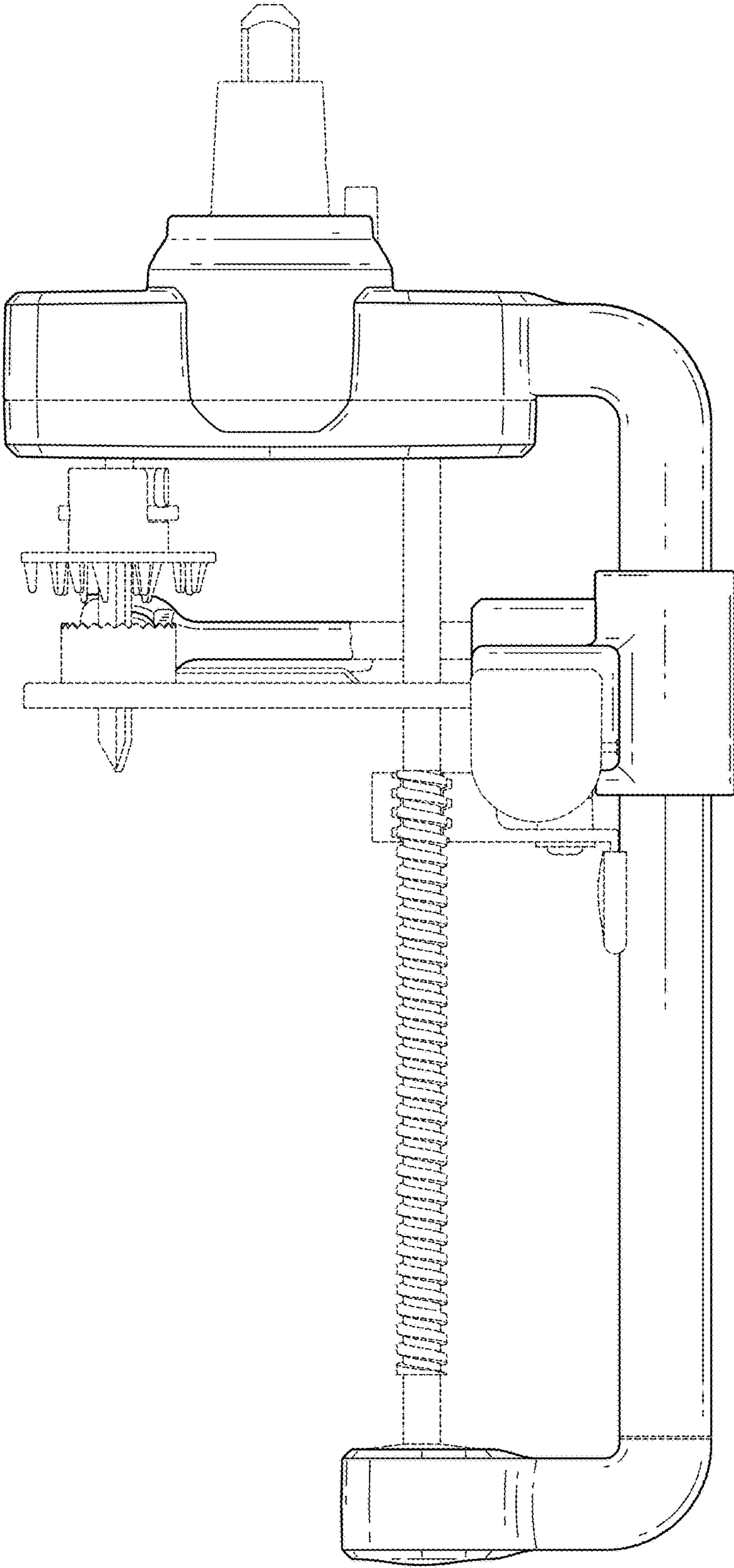


FIG. 7



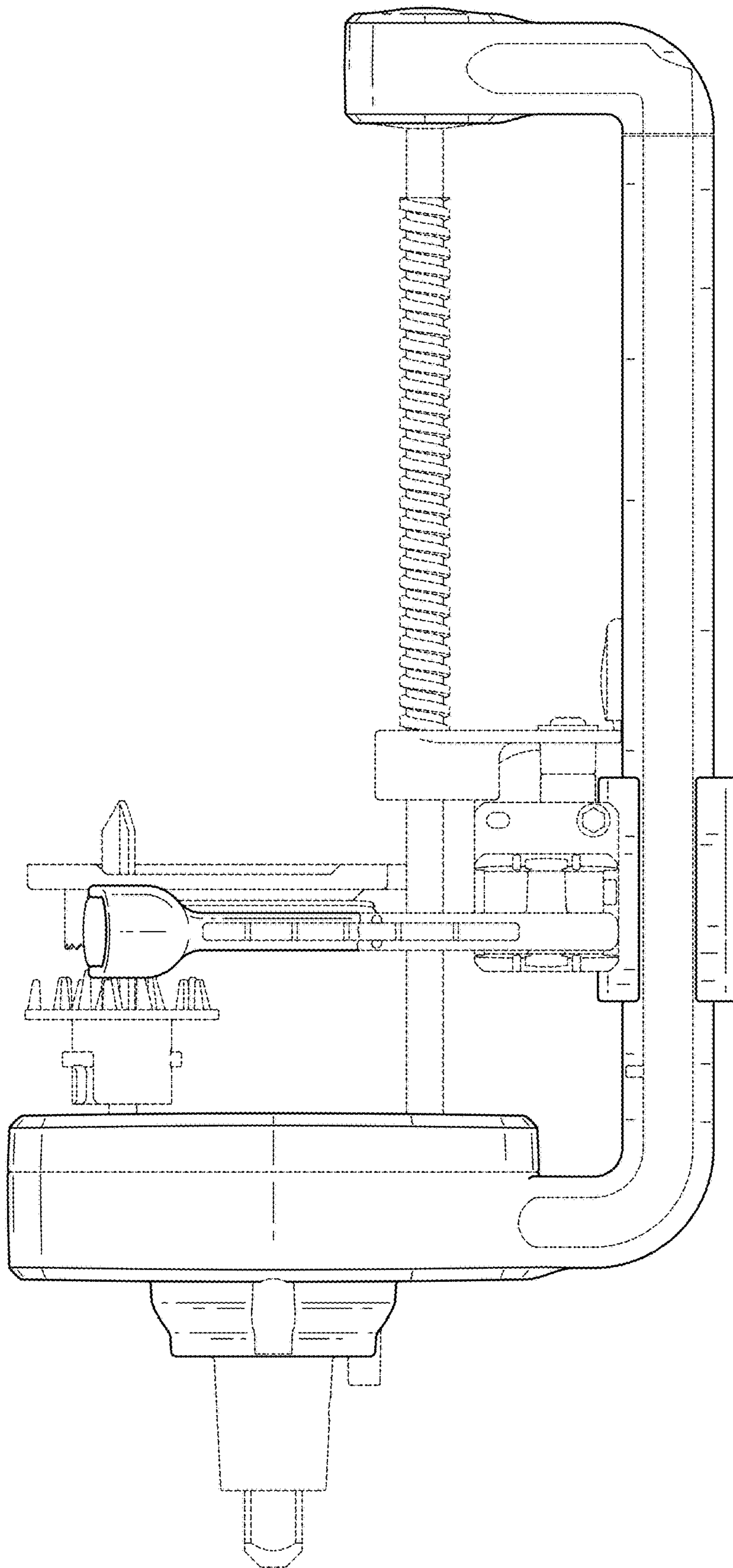


FIG. 8