



US00D773892S

(12) **United States Design Patent**
Miron et al.

(10) **Patent No.:** **US D773,892 S**
(45) **Date of Patent:** **** Dec. 13, 2016**

- (54) **OVEN**
- (71) Applicant: **BOMBARDIER INC.**, Dorval (CA)
- (72) Inventors: **Bruno Miron**, Coteau-du-Lac (CA); **Alexis Morin**, Montreal (CA); **Nevenka Prijic**, Westmount (CA); **Marie-Josée de la Cruz**, Brossard (CA)
- (73) Assignee: **BOMBARDIER INC.**, Dorval (CA)
- (**) Term: **14 Years**
- (21) Appl. No.: **29/489,048**
- (22) Filed: **Apr. 25, 2014**
- (51) **LOC (10) Cl.** **07-02**
- (52) **U.S. Cl.**
USPC **D7/405**
- (58) **Field of Classification Search**
USPC D7/339-341, 346, 354-361, 388, 402, D7/408-409; D23/346-347, 397; 126/211, 126/275 R; 99/385, 402, 403, 427, 99/449-450, 421 A, 421 H, 421 R; 220/491, 912
CPC F24C 1/10; F24C 3/00; F24C 15/00; F24C 15/001
See application file for complete search history.

- D623,889 S 9/2010 Kim et al.
- D728,300 S 5/2015 Borjesson
- D728,309 S 5/2015 Borjesson
- D736,033 S 8/2015 Baacke et al.
- D741,104 S 10/2015 Funnell, II et al.
- 2005/0279216 A1 12/2005 Miller

* cited by examiner

Primary Examiner — Zenia Bennett

(74) *Attorney, Agent, or Firm* — Thomas & Karceski, PC

(57) **CLAIM**

The ornamental design for an oven, as shown and described.

DESCRIPTION

FIG. 1 is a perspective view of an oven according to the design;
 FIG. 2 is a front view of the oven of FIG. 1;
 FIG. 3 is a right side view of the oven of FIG. 1;
 FIG. 4 is a left side view of the oven of FIG. 1;
 FIG. 5 is a top view of the oven of FIG. 1; and,
 FIG. 6 is a bottom view of the oven of FIG. 1.
 The broken lines that are included in FIGS. 1-6 of the drawings denote aspects of the oven that forms no part of the claimed design.
 For the embodiment shown in FIGS. 1-6, the rear view is excluded, because it is plain and unornamented and, therefore, forms no part of the claimed design.

(56) **References Cited**

U.S. PATENT DOCUMENTS

- D249,009 S * 8/1978 Grove D7/407
- D513,065 S * 12/2005 Luong D23/307

1 Claim, 6 Drawing Sheets

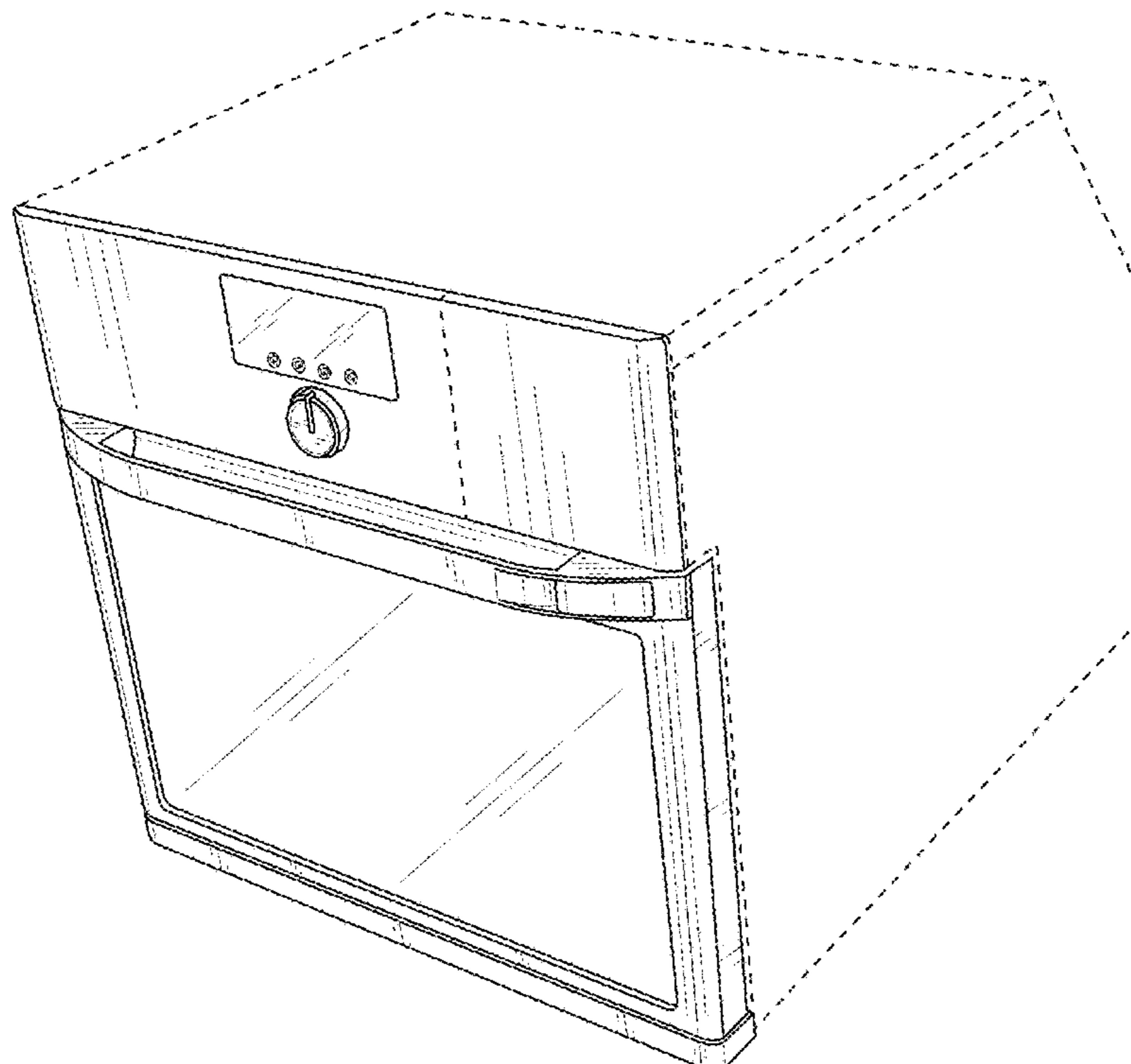
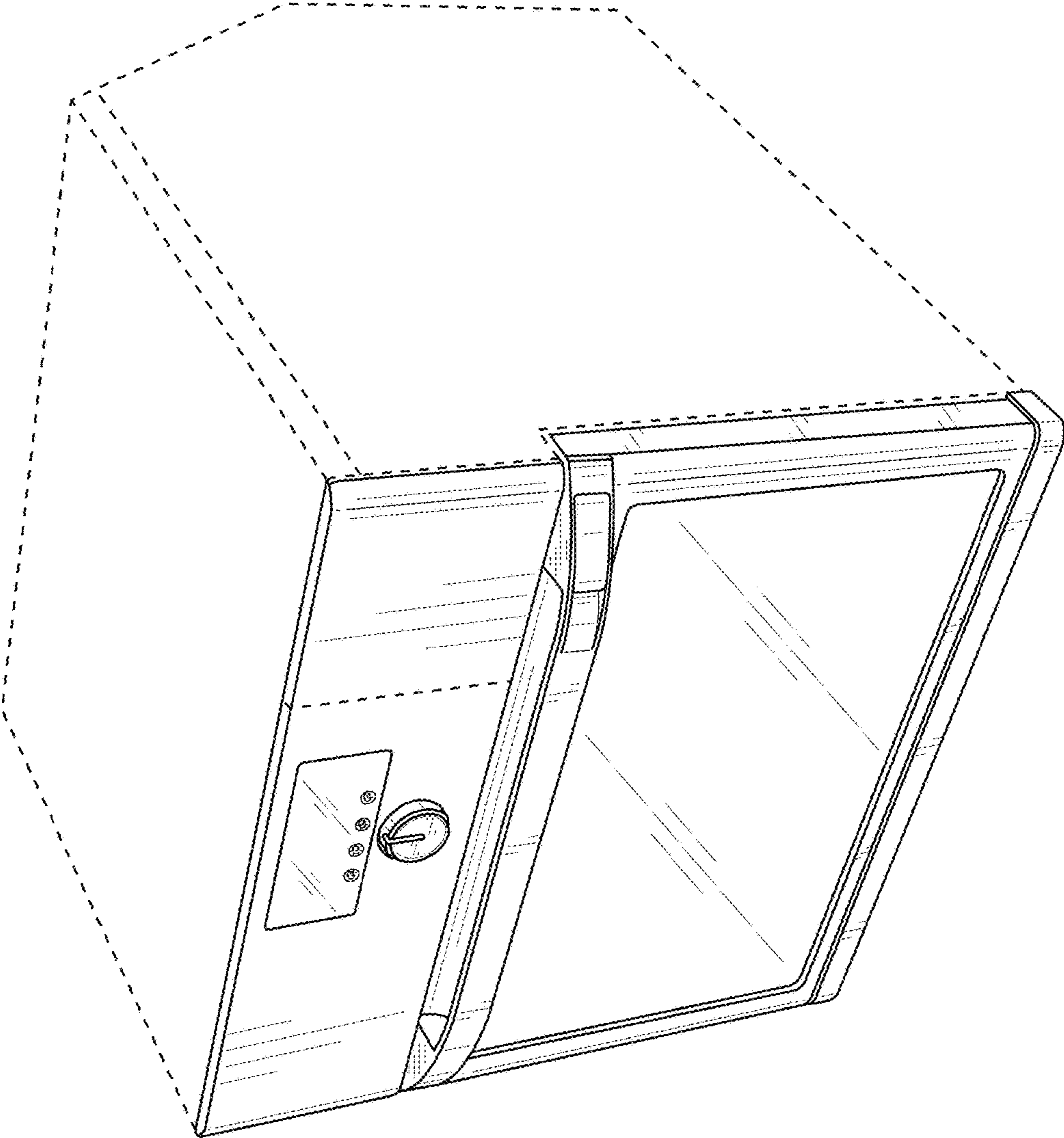


FIG. 1



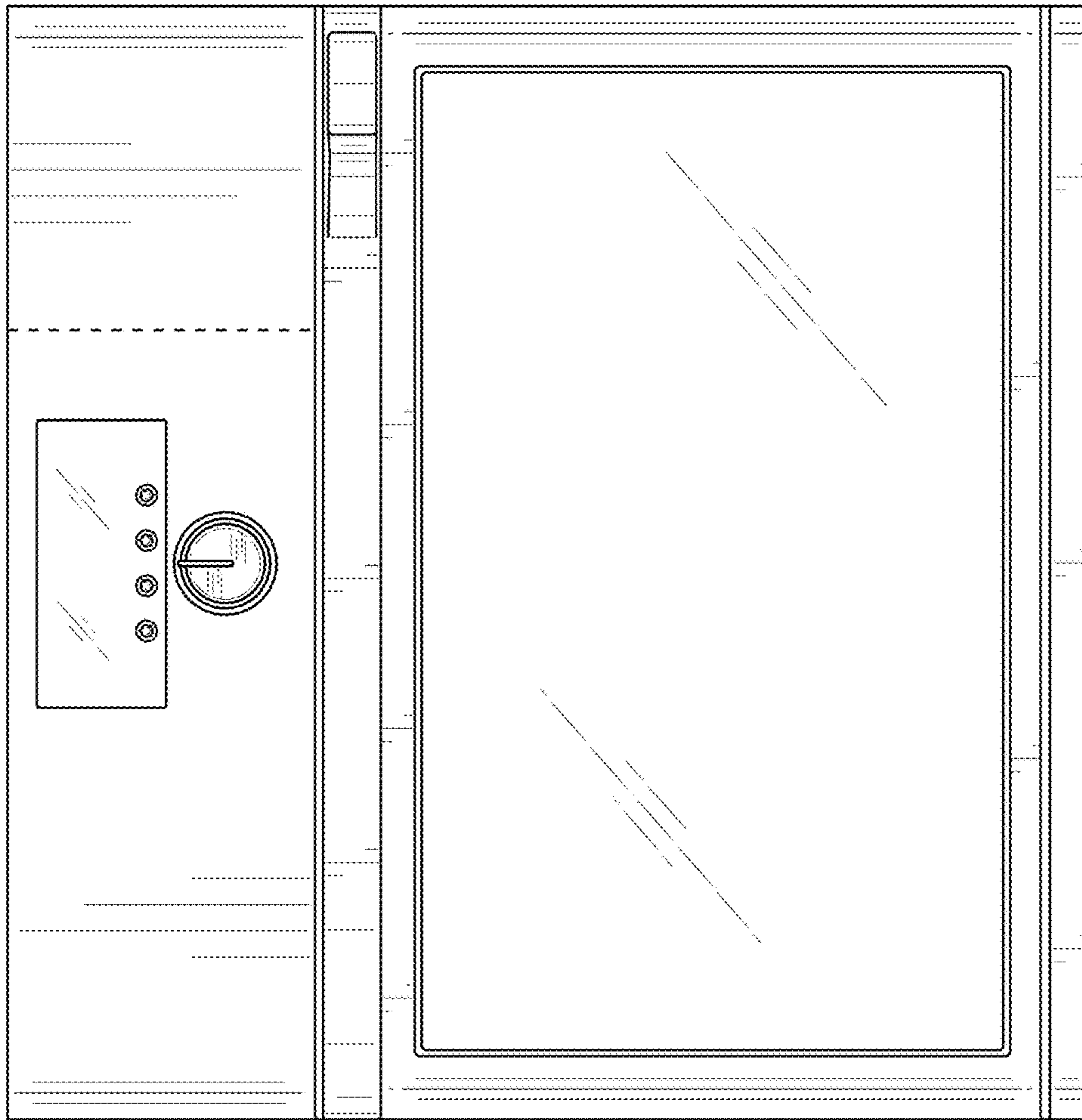


FIG. 2

FIG. 3

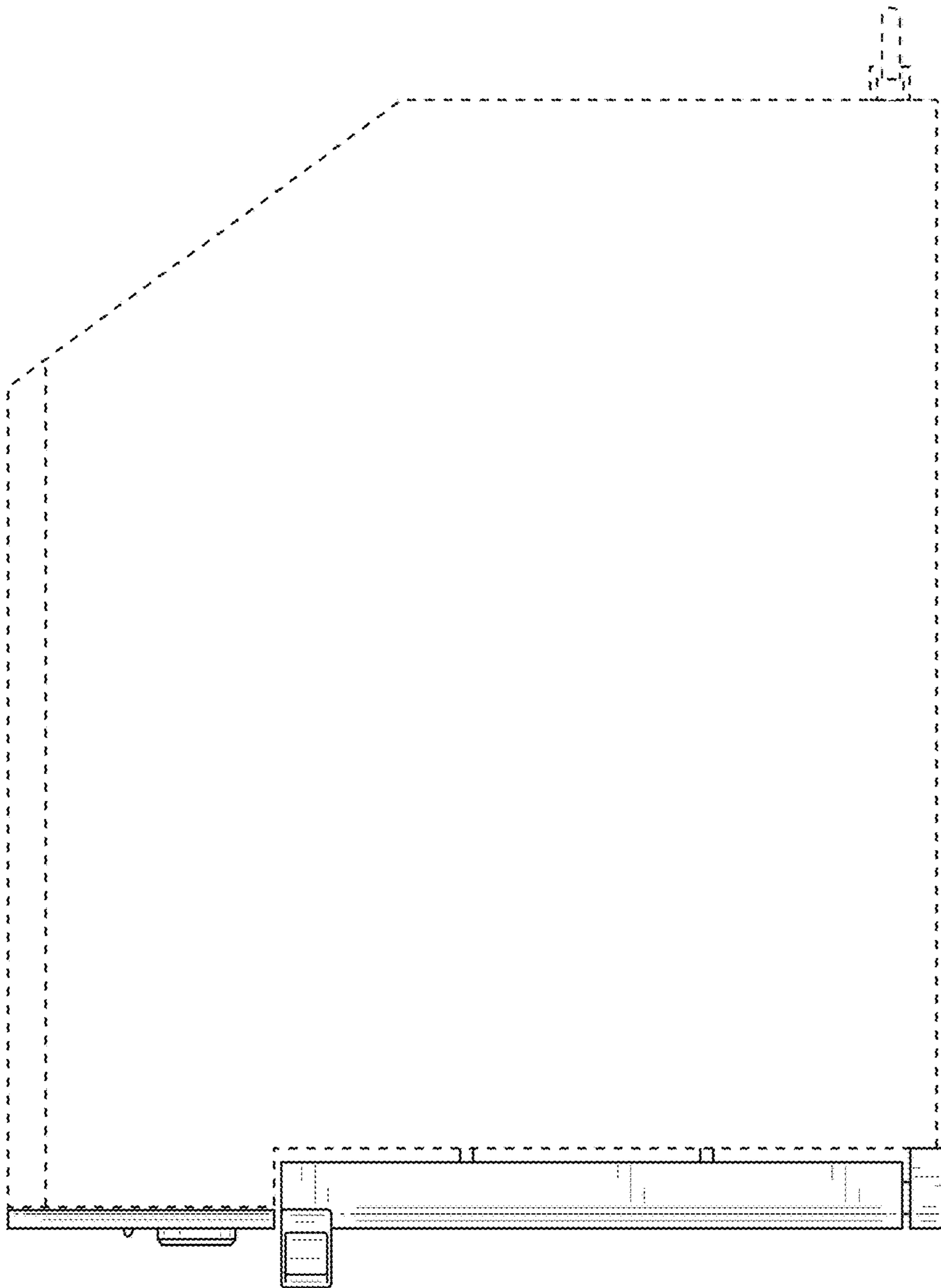


FIG. 4

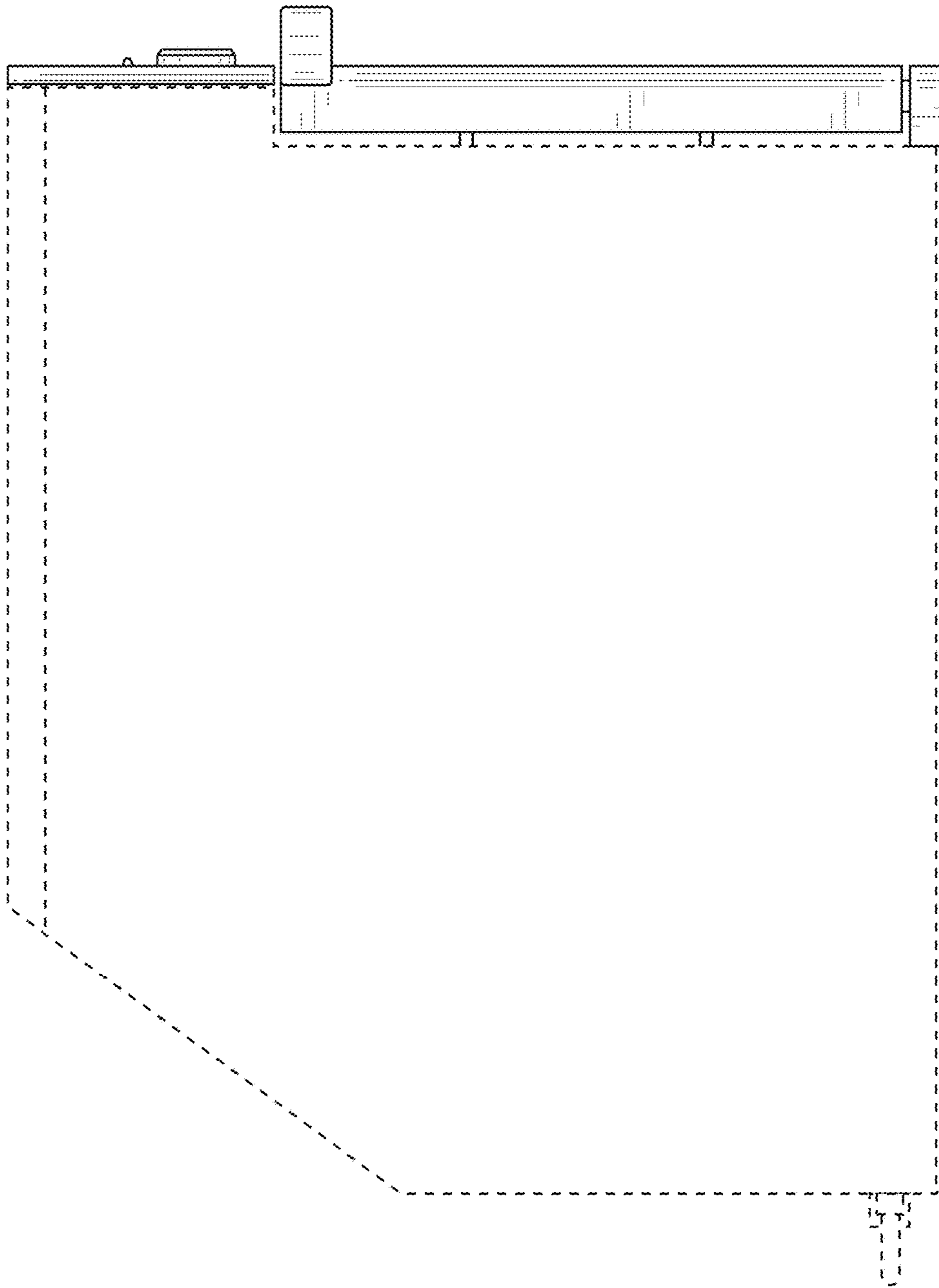




FIG. 5



FIG. 6