



US00D773890S

(12) **United States Design Patent** (10) **Patent No.:** **US D773,890 S**
Liu (45) **Date of Patent:** **** Dec. 13, 2016**

(54) **KNIFE HANDLE**

(71) Applicant: **Yunxing Liu**, Irvine, CA (US)

(72) Inventor: **Yunxing Liu**, Irvine, CA (US)

(**) Term: **15 Years**

(21) Appl. No.: **29/538,209**

(22) Filed: **Sep. 1, 2015**

(51) **LOC (10) Cl.** **07-03**

(52) **U.S. Cl.**

USPC **D7/401.2**; D7/649

(58) **Field of Classification Search**

USPC D7/393–395, 401.2, 642–652, 693,
D7/695–696; D8/93, 97–100, 107, 300,
D8/321; D22/117–118

CPC A01B 1/20; A01B 1/22; A22C 25/006;
A47G 21/06; A47G 21/065; A47J 17/02;
A61B 17/3211; A61B 17/3213; B21D
53/64; B25G 1/00; B25G 3/26; B25G
3/36; B26B 1/00; B26B 1/08; B26B 1/10;
B26B 3/00; B26B 3/02; B26B
3/03; B26B 3/04; B26B 3/06; B26B 5/00;
B26B 5/001; B26B 5/007; B26B
7/00; B26B 7/005; B26B 9/00; B26B
9/02; B26B 11/00; B26B 11/006; B26B
17/00; B26B 17/006; B26B 29/02

See application file for complete search history.

(56) **References Cited**

U.S. PATENT DOCUMENTS

D195,951 S *	8/1963	Wildgen	D7/649
D296,179 S *	6/1988	Hagberg	D7/649
D316,015 S *	4/1991	DiGangi	D7/649
D461,104 S *	8/2002	Hasegawa	D7/649
D487,379 S *	3/2004	Porsche	D7/401.2
D551,517 S *	9/2007	Tarrerias	D7/649
D683,204 S *	5/2013	Yamada	D8/107

D713,215 S *	9/2014	Bird	D7/401.2
D735,529 S *	8/2015	Bell	D7/401.2
D752,384 S *	3/2016	Fredaeng	D7/401.2

* cited by examiner

Primary Examiner — Ricky Pham

(57) **CLAIM**

The ornamental design for a knife handle, as shown and described.

DESCRIPTION

FIG. 1 is a left side perspective view of the knife handle, the right-side being a mirror image, the knife blade forming no part of the claimed design. The broken lines shown in the drawings are for illustrative purposes only and form no part of the claimed design.

FIG. 2 is a left-side view of the knife handle, the right-side being a mirror image, the knife blade forming no part of the claimed design. The broken lines shown in the drawings are for illustrative purposes only and form no part of the claimed design.

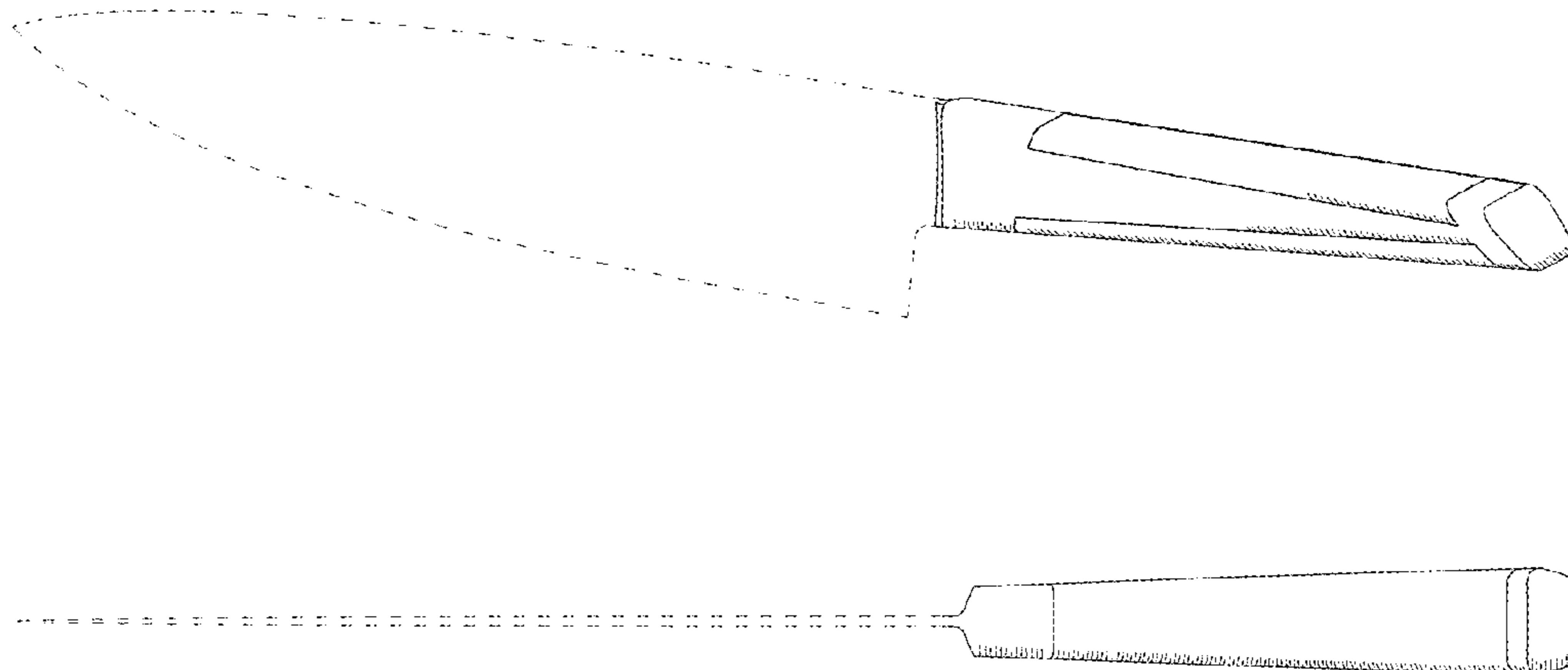
FIG. 3 is a top view of the knife handle, the knife blade forming no part of the claimed design. The broken lines shown in the drawings are for illustrative purposes only and form no part of the claimed design.

FIG. 4 is a bottom view of the knife handle, the knife blade forming no part of the claimed design. The broken lines shown in the drawings are for illustrative purposes only and form no part of the claimed design.

FIG. 5 is a rear view of the knife handle, the knife blade forming no part of the claimed design. The broken lines shown in the drawings are for illustrative purposes only and form no part of the claimed design; and,

FIG. 6 is a front view of the knife handle, the knife blade forming no part of the claimed design. The broken lines shown in the drawings are for illustrative purposes only and form no part of the claimed design.

1 Claim, 3 Drawing Sheets



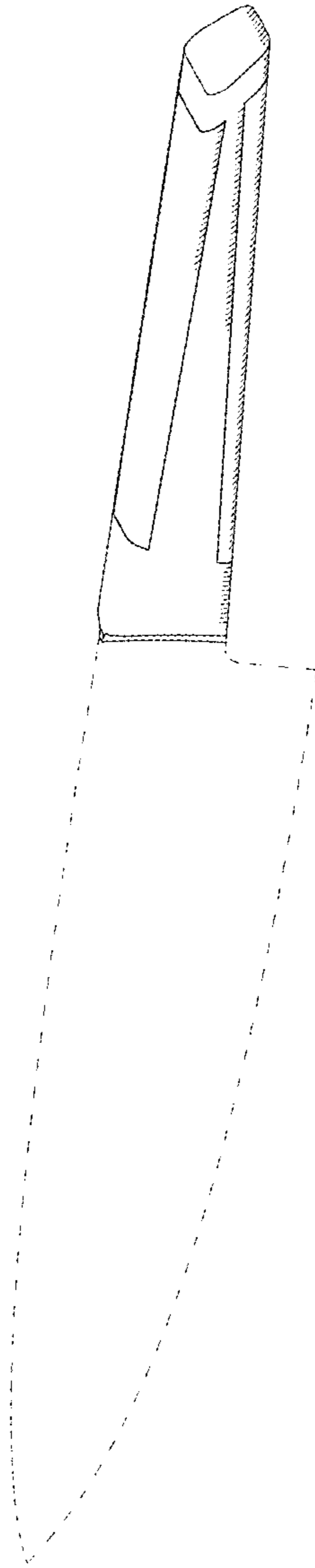


Fig. 1

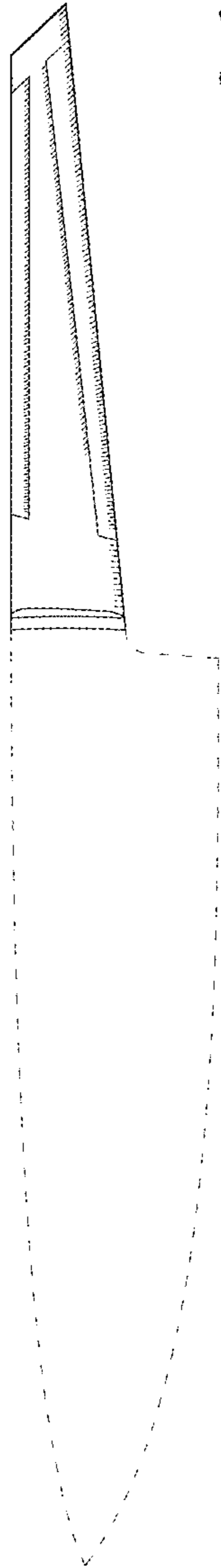


Fig. 2

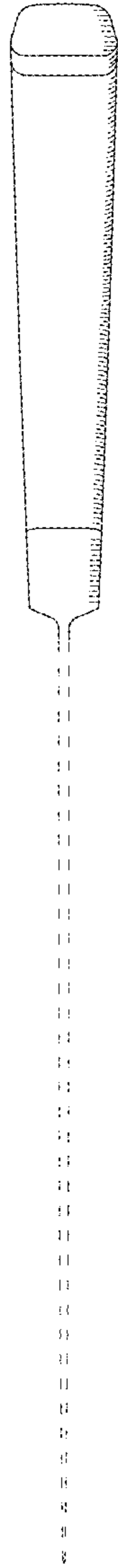


Fig. 3

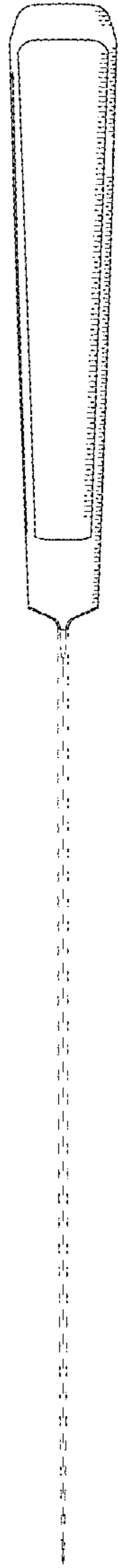


Fig. 4

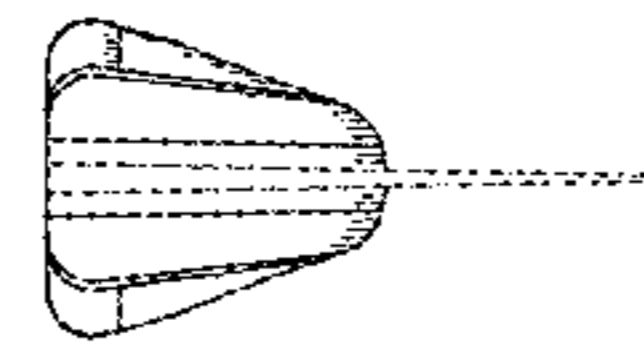


Fig. 6

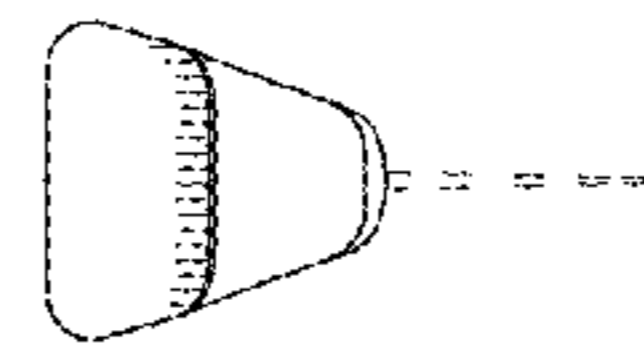


Fig. 5