



US00D773889S

(12) **United States Design Patent** (10) **Patent No.:** **US D773,889 S**
Liu (45) **Date of Patent:** **** Dec. 13, 2016**

(54) **KNIFE HANDLE**

(71) Applicant: **Yunxing Liu**, Irvine, CA (US)

(72) Inventor: **Yunxing Liu**, Irvine, CA (US)

(**) Term: **15 Years**

(21) Appl. No.: **29/538,208**

(22) Filed: **Sep. 1, 2015**

(51) **LOC (10) Cl.** **07-03**

(52) **U.S. Cl.**

USPC **D7/401.2**; D7/649

(58) **Field of Classification Search**

USPC D7/393-395, 401.2, 642-652, 693,
D7/695-696; D8/93, 97-100, 107, 300,
D8/321; D17/22; D22/117-118

CPC A01B 1/20; A01B 1/22; A22C 25/006;
A47G 21/06; A47G 21/065; A47J 17/02;
A61B 17/3211; A61B 17/3213; B21D
53/64; B25G 1/00; B25G 3/26; B25G
3/36; B26B 1/00; B26B 1/08; B26B 1/10;
B26B 3/00; B26B 3/02; B26B
3/03; B26B 3/04; B26B 3/06; B26B 5/00;
B26B 5/001; B26B 5/007; B26B
7/00; B26B 7/005; B26B 9/00; B26B
9/02; B26B 11/00; B26B 11/006; B26B
17/00; B26B 17/006; B26B 29/02

See application file for complete search history.

(56) **References Cited**

U.S. PATENT DOCUMENTS

D229,472 S * 12/1973 Wells D22/118
D260,655 S * 9/1981 Guay 84/402
D302,650 S * 8/1989 Giordano D8/99
D306,812 S * 3/1990 Kawasaki D7/649
D448,442 S * 9/2001 Cheng D22/118
D699,315 S * 2/2014 Seeds D22/118
D717,111 S * 11/2014 Wang D7/401.2

D717,112 S * 11/2014 Wang D7/401.2
D735,529 S * 8/2015 Bell D7/401.2
D752,384 S * 3/2016 Fredaeng D7/401.2

* cited by examiner

Primary Examiner — Ricky Pham

(57) **CLAIM**

The ornamental design for a knife handle, as shown and described.

DESCRIPTION

FIG. 1 is a left side perspective view of the knife handle, the right-side being a mirror image, the knife blade forming no part of the claimed design. The broken lines shown in the drawings are for illustrative purposes only and form no part of the claimed design.

FIG. 2 is a left-side view of the knife handle, the right-side being a mirror image, the knife blade forming no part of the claimed design. The broken lines shown in the drawings are for illustrative purposes only and form no part of the claimed design.

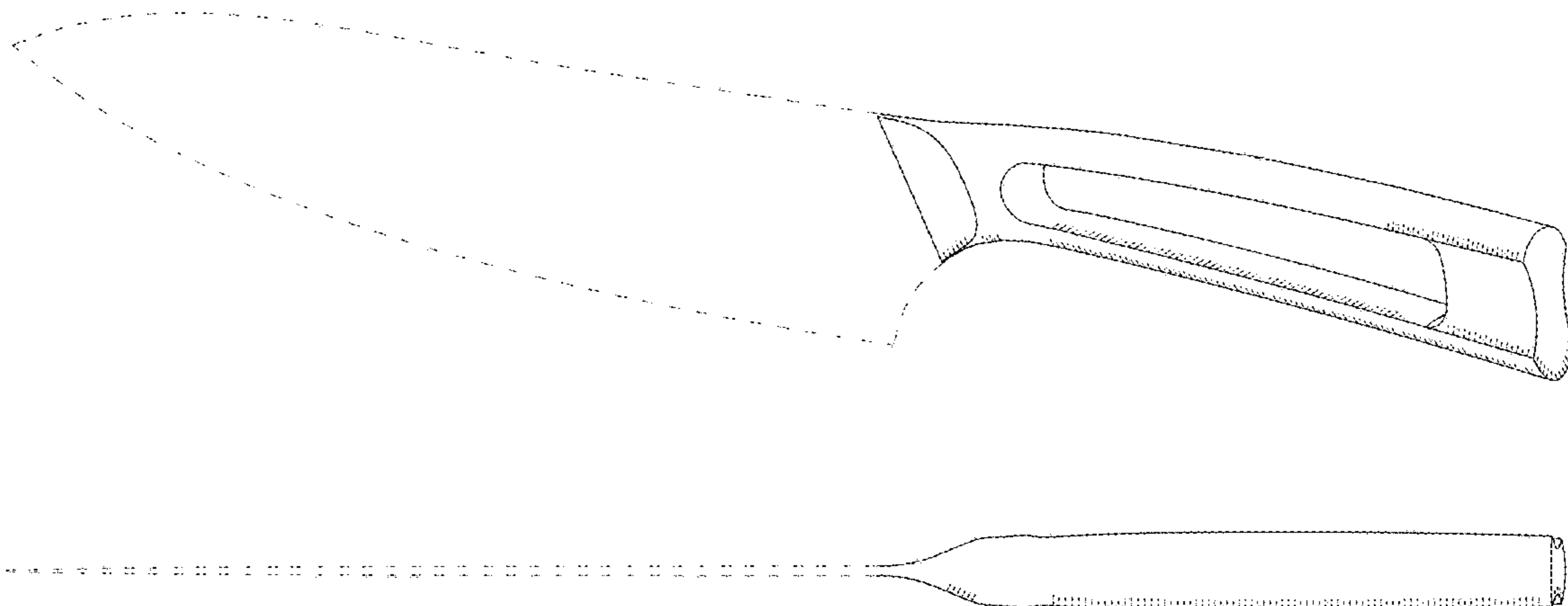
FIG. 3 is a top view of the knife handle, the knife blade forming no part of the claimed design. The broken lines shown in the drawings are for illustrative purposes only and form no part of the claimed design.

FIG. 4 is a bottom view of the knife handle, the knife blade forming no part of the claimed design. The broken lines shown in the drawings are for illustrative purposes only and form no part of the claimed design.

FIG. 5 is a rear view of the knife handle, the knife blade forming no part of the claimed design. The broken lines shown in the drawings are for illustrative purposes only and form no part of the claimed design; and,

FIG. 6 is a front view of the knife handle, the knife blade forming no part of the claimed design. The broken lines shown in the drawings are for illustrative purposes only and form no part of the claimed design.

1 Claim, 3 Drawing Sheets



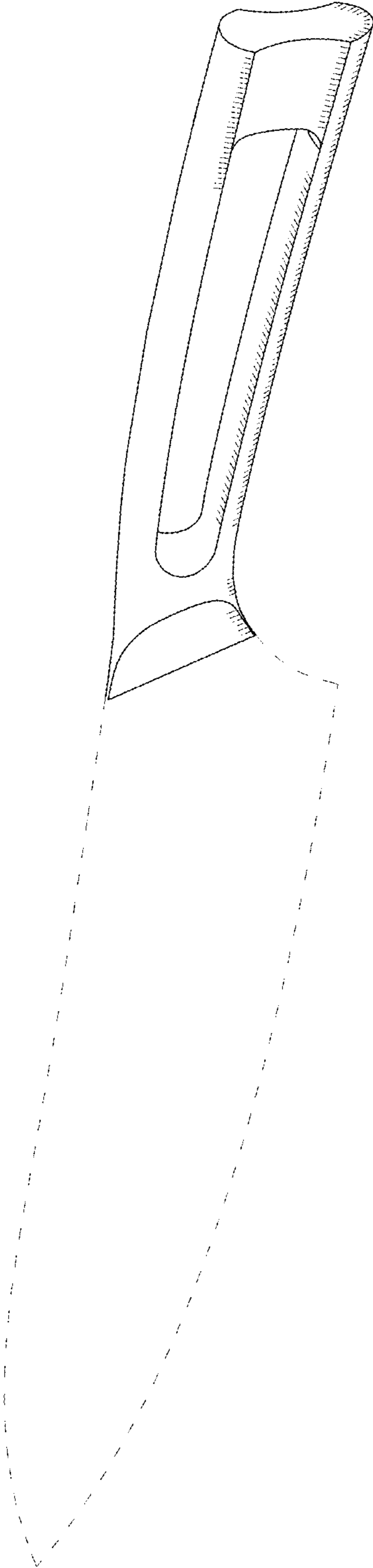


Fig. 1

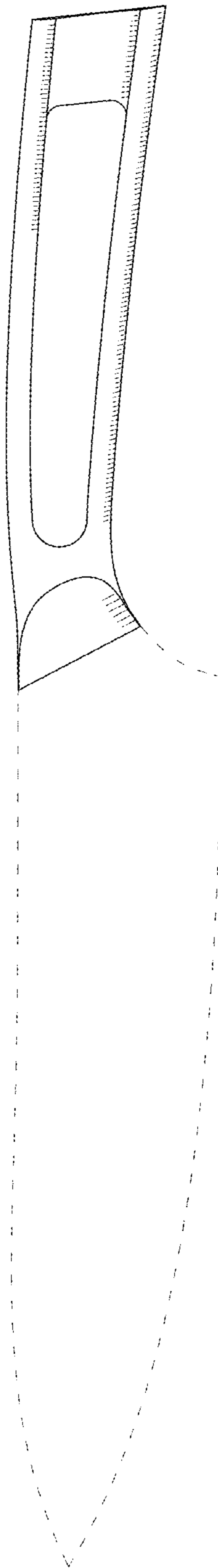


Fig. 2

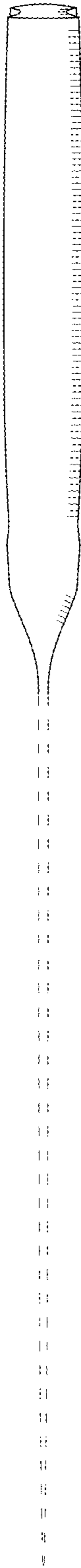


Fig. 3

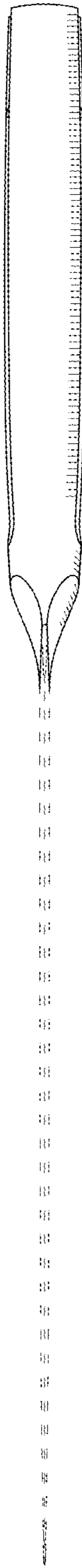


Fig. 4

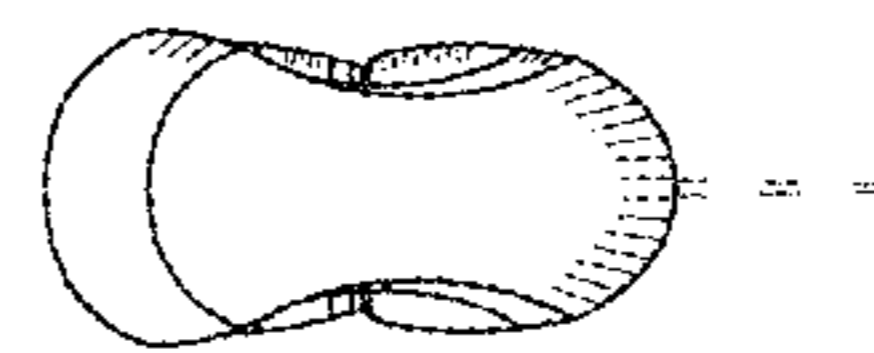


Fig. 5

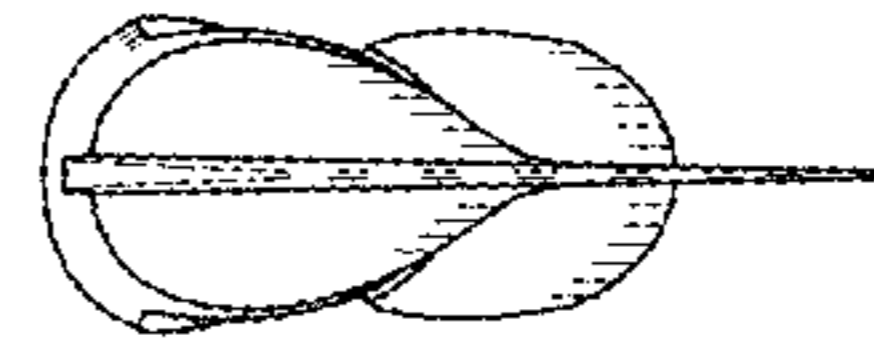


Fig. 6