



US00D773887S

(12) **United States Design Patent** (10) **Patent No.:** **US D773,887 S**  
**Berger** (45) **Date of Patent:** **\*\* Dec. 13, 2016**

(54) **KNIFE HANDLE**

(71) Applicant: **Ed. Wuesthof Dreizackwerk KG,**  
Solingen (DE)

(72) Inventor: **Björn Berger,** Berlin (DE)

(73) Assignee: **Ed. Wüsthof, Dreizackwerk KG,**  
Solingen (DE)

(\*\*) Term: **15 Years**

(21) Appl. No.: **29/536,673**

(22) Filed: **Aug. 19, 2015**

(30) **Foreign Application Priority Data**

Feb. 19, 2015 (EM) ..... 002637306-0001

(51) **LOC (10) Cl.** ..... **07-03**

(52) **U.S. Cl.**  
USPC ..... **D7/401.2; D7/649**

(58) **Field of Classification Search**  
USPC ..... D7/393-395, 401.2, 642-652, 693,  
D7/695-696; D8/93, 97-100, 107, 300,  
D8/321; D22/117-118  
CPC ..... A01B 1/20; A01B 1/22; A22C 25/006;  
A47G 21/06; A47G 21/065; A61B  
17/3211; A61B 17/3213; B21D  
53/64; B25G 3/36; B26B 1/00; B26B  
1/08; B26B 1/10; B26B 3/00; B26B 3/02;  
B26B 3/03; B26B 3/04; B26B  
3/06; B26B 5/00; B26B 5/001; B26B  
5/007; B26B 7/00; B26B 7/005; B26B  
9/00; B26B 9/02; B26B 11/00; B26B  
11/006; B26B 17/00; B26B  
17/006; B26B 29/02

See application file for complete search history.

(56) **References Cited**

U.S. PATENT DOCUMENTS

D149,677 S *	5/1948	Roblin .....	D7/395
D149,814 S *	6/1948	Hvale et al. ....	30/340
D424,887 S *	5/2000	Stokes .....	D7/649
D445,313 S *	7/2001	Jorge .....	D7/649
D458,517 S *	6/2002	Parlowski .....	D7/649
D458,810 S *	6/2002	Parlowski .....	D7/649
D496,563 S *	9/2004	Marsden .....	D7/650
D497,523 S *	10/2004	Chen .....	D7/401.2
D545,140 S *	6/2007	Hasegawa .....	D7/649
D553,907 S *	10/2007	Catalano .....	D7/401.2
D691,419 S *	10/2013	Bhasin .....	D7/401.2
D747,160 S *	1/2016	Makela .....	D7/649
D747,161 S *	1/2016	Makela .....	D7/649

\* cited by examiner

*Primary Examiner* — Ricky Pham

(74) *Attorney, Agent, or Firm* — Cahn & Samuels, LLP

(57) **CLAIM**

The ornamental design for a knife handle, as shown and described.

**DESCRIPTION**

FIG. 1 is a perspective view of a knife handle according to the present invention.

FIG. 2 is a perspective view of the knife handle of FIG. 1.

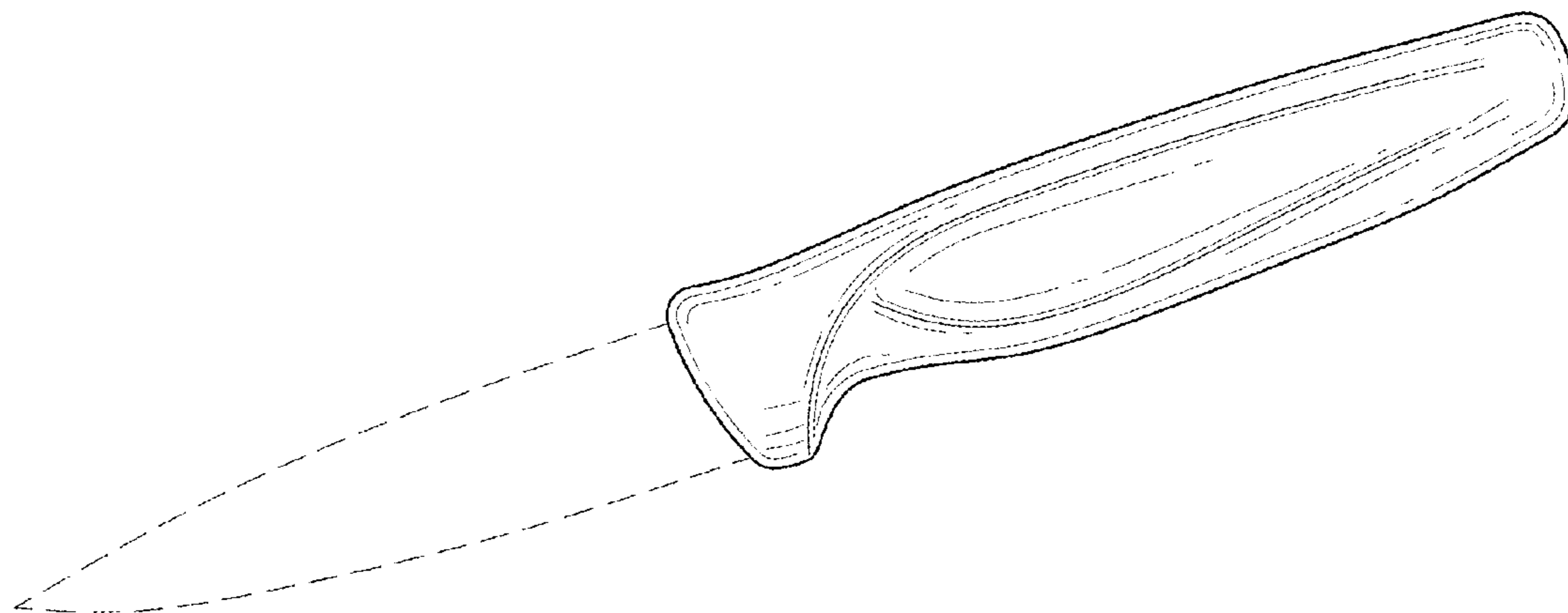
FIG. 3 is a side view of the knife handle of FIG. 1.

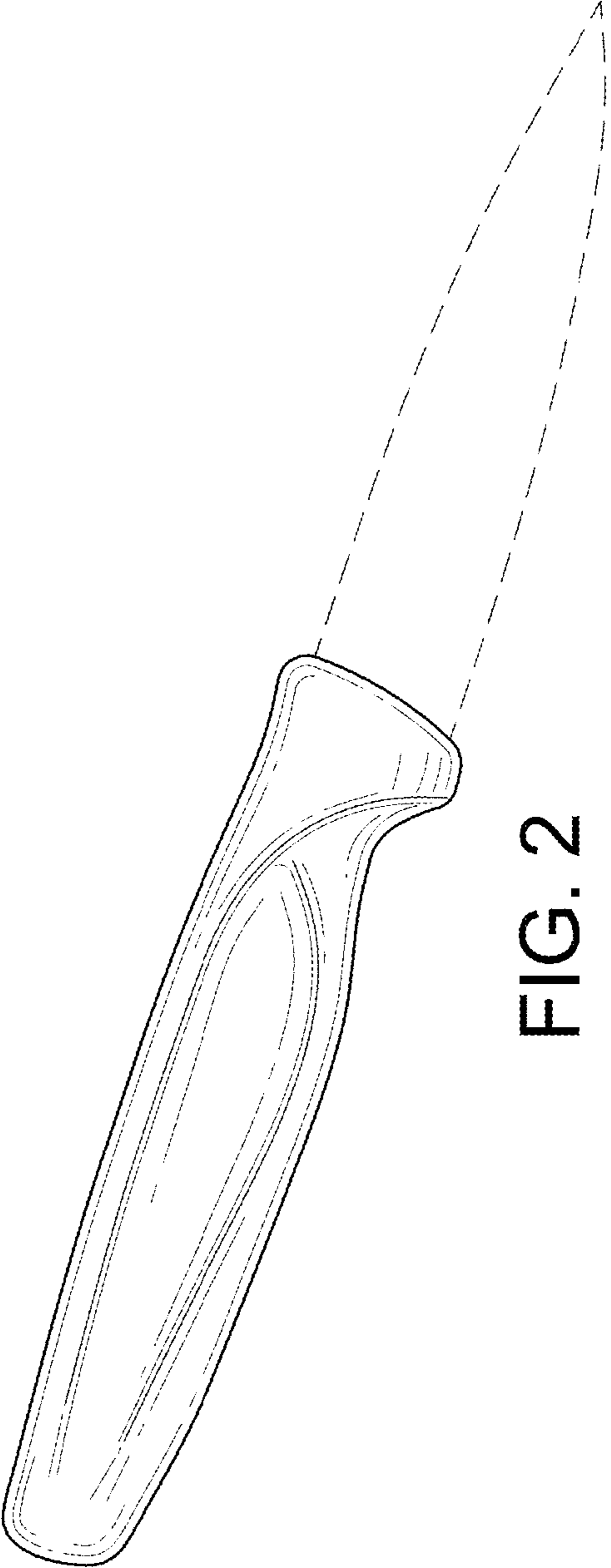
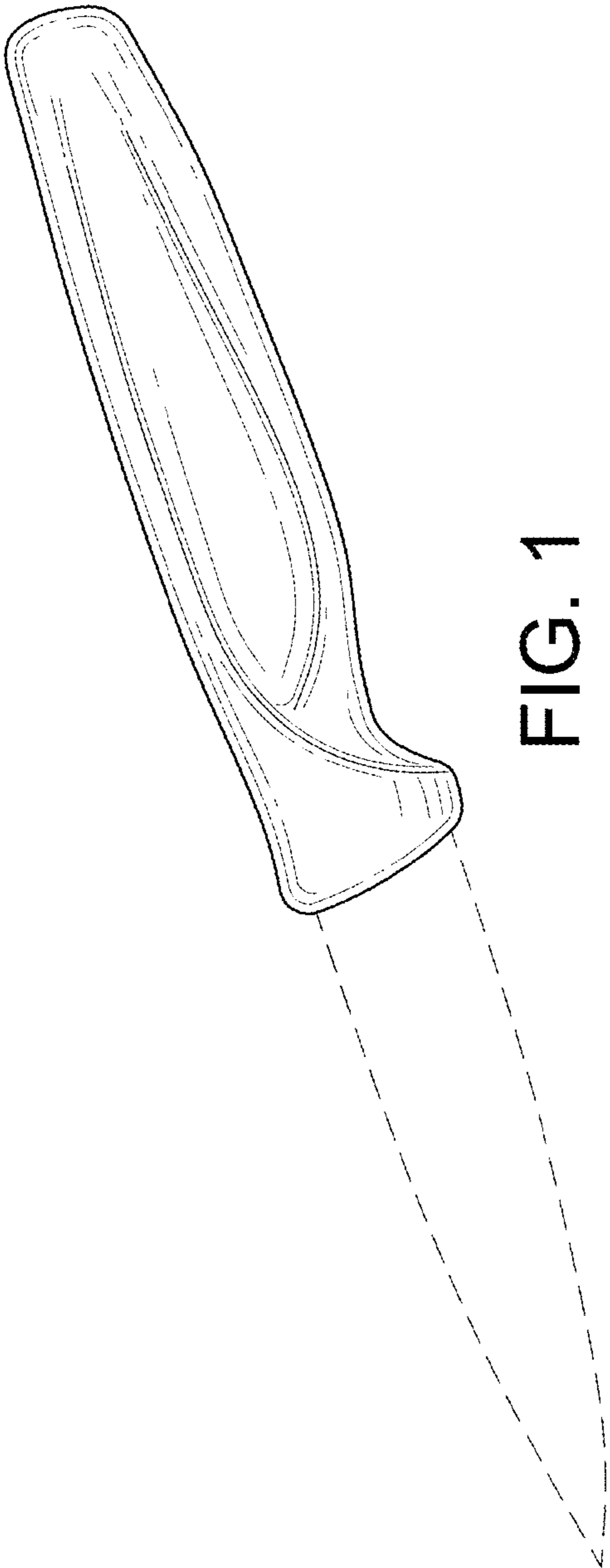
FIG. 4 is a second side view of the knife handle of FIG. 1.

FIG. 5 is a bottom view of the knife handle of FIG. 1; and,

FIG. 6 is a perspective of the second side view of the knife handle of FIG. 1.

**1 Claim, 3 Drawing Sheets**





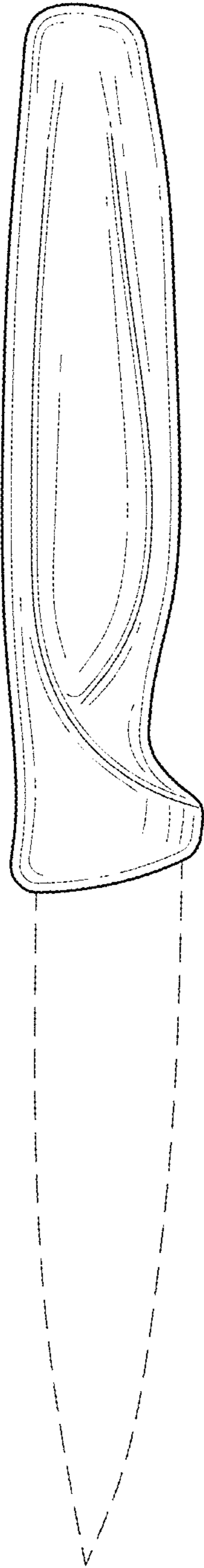


FIG. 3

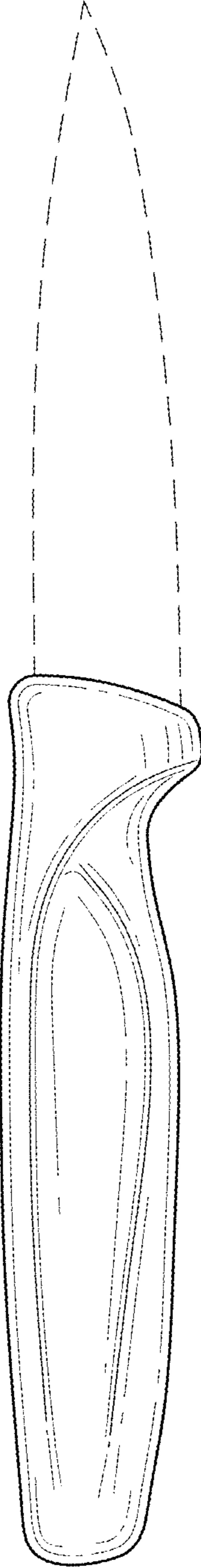


FIG. 4

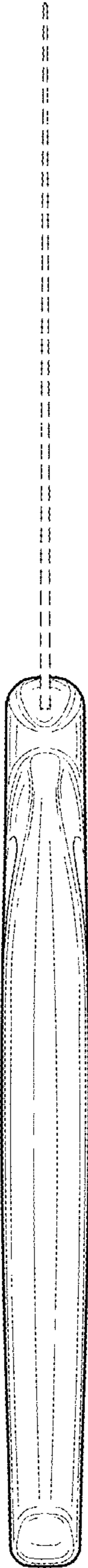


FIG. 5

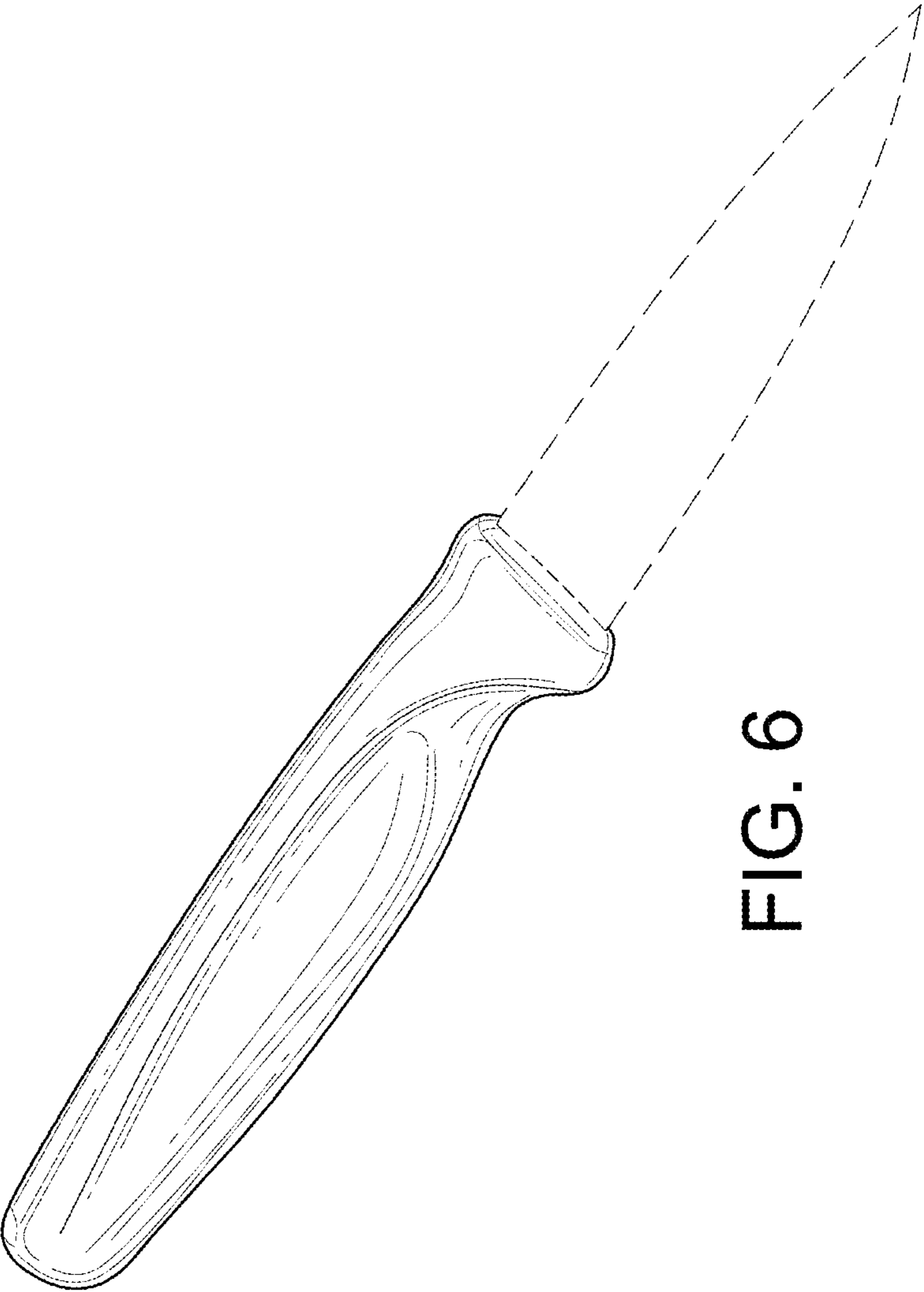


FIG. 6