



US00D773885S

(12) **United States Design Patent**  
**Loshuk**

(10) **Patent No.:** **US D773,885 S**

(45) **Date of Patent:** **\*\* Dec. 13, 2016**

- (54) **BEVERAGE GARNISH CLIP**
- (71) Applicant: **Mark A. Loshuk**, Fort Lauderdale, FL (US)
- (72) Inventor: **Mark A. Loshuk**, Fort Lauderdale, FL (US)
- (\*\*) Term: **15 Years**
- (21) Appl. No.: **29/536,667**
- (22) Filed: **Aug. 18, 2015**
- (51) **LOC (10) Cl.** ..... **07-99**
- (52) **U.S. Cl.**  
USPC ..... **D7/396.2; D7/396.1; D7/387**
- (58) **Field of Classification Search**  
USPC ..... **D7/507, 509, 523, 529, 530, 531, 532, D7/533, 534, 535, 536, 514, 515, 602, 619.1, D7/387, 392.1, 396.1, 396.2, 396.3, 396.4, D7/396.5, 213, 394, 524, 537, 396.6, 558, 683, D7/553.2, 632; 220/319, 324, 592.16, 592.17, 220/62.12, 649, 703, 704, 918, 919; D20/22, D20/27, 28, 41, 43; D11/26, 27, 29; D9/651, D9/517, 534, 527, 425, 553, 566, 567, 555, D9/600, 722, 434, 454; D8/396, 356; D3/202; D28/81, 82; D6/574, 547, 546, 553, 556, D6/537, 536, 540; D32/54**  
CPC **A47G 19/22; A47G 19/2205; A47G 19/2211; A47G 19/2216; A47G 19/2222; A47G 19/2227; B65D 1/265; B65D 39/04**  
See application file for complete search history.

- D208,105 S \* 7/1967 Haber ..... D20/43
- D241,662 S \* 9/1976 Radmall ..... D20/43
- D269,589 S \* 7/1983 Nakama ..... D8/356
- D276,272 S \* 11/1984 Weissenburger ..... D24/176
- D291,728 S \* 9/1987 Hoyt ..... D24/130
- D317,246 S \* 6/1991 Driscoll ..... 294/171
- 5,112,227 A \* 5/1992 Bull ..... A61B 50/20  
206/63.5
- 5,360,190 A \* 11/1994 Walker ..... B60R 7/14  
224/309
- 5,462,212 A \* 10/1995 Hertel, Jr. .... B60R 7/08  
206/86
- D372,980 S \* 8/1996 Berger ..... D24/176
- D386,211 S \* 11/1997 Taparuskas, Jr. .... D20/22
- 5,732,862 A \* 3/1998 Bull ..... F16M 13/04  
206/63.5
- D409,400 S \* 5/1999 Peruzzo ..... D6/328
- D498,974 S \* 11/2004 Hsieh ..... D7/387
- D511,646 S \* 11/2005 McKinney ..... D7/396.2
- D625,996 S \* 10/2010 Witty ..... D8/396
- D720,573 S \* 1/2015 Pola ..... D7/396.2
- D727,111 S \* 4/2015 Henry ..... D7/620

\* cited by examiner

*Primary Examiner* — Marianne Pandozzi

*Assistant Examiner* — Jae Liang

(57) **CLAIM**

The ornamental design for a beverage garnish clip, as shown and described.

**DESCRIPTION**

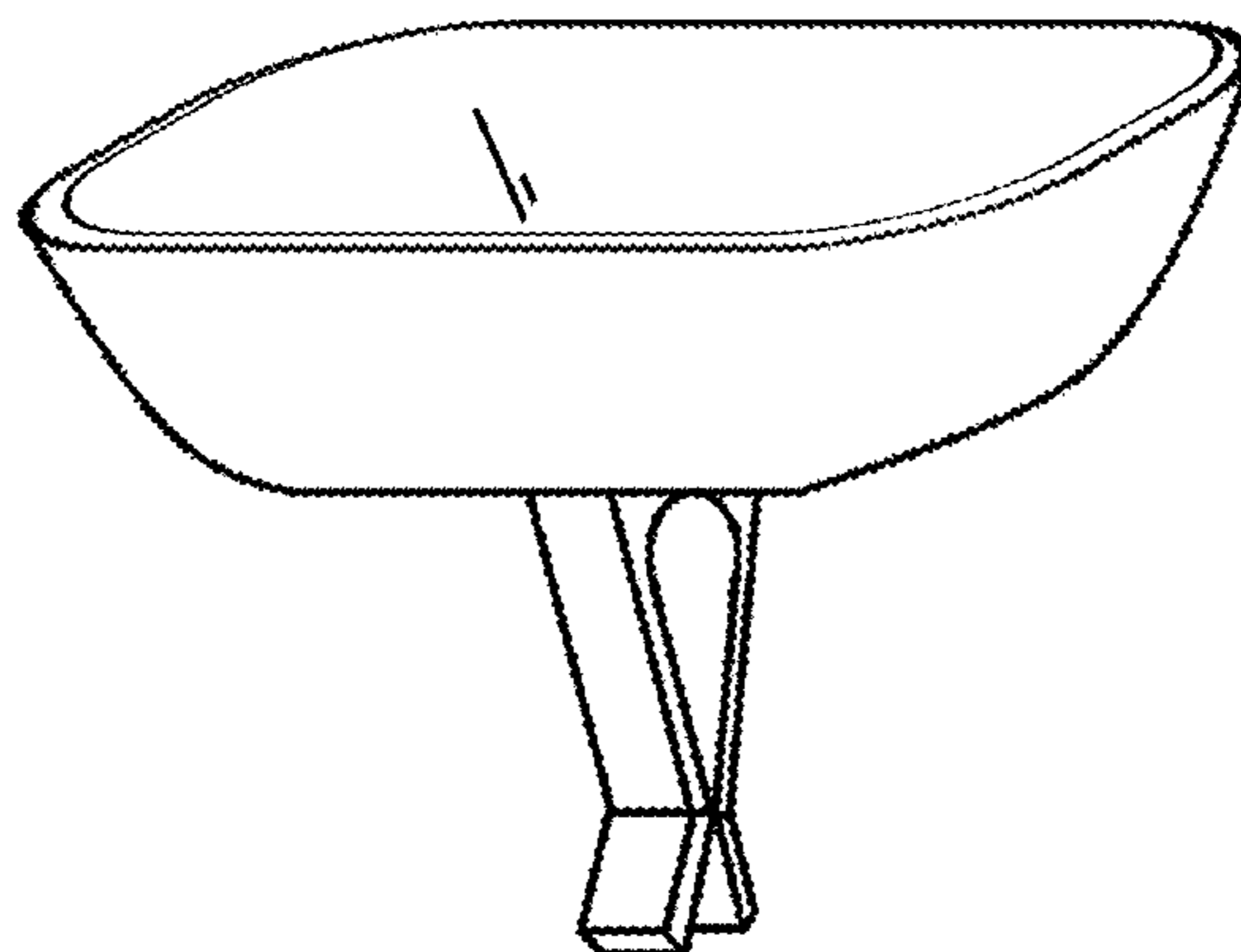
- FIG. 1 is a top view of a beverage garnish clip showing my new design;
- FIG. 2 is a bottom view thereof;
- FIG. 3 is a right side view thereof;
- FIG. 4 is a left side view thereof;
- FIG. 5 is a front view thereof;
- FIG. 6 is a rear view thereof; and,
- FIG. 7 is a perspective view thereof.

**1 Claim, 4 Drawing Sheets**

(56) **References Cited**

U.S. PATENT DOCUMENTS

- D26,508 S \* 1/1897 Dalgleish ..... 220/704
- 2,539,940 A \* 1/1951 Abramson ..... A47G 19/2205  
224/217
- 2,605,032 A \* 7/1952 Hunt ..... D05B 91/12  
223/109 R



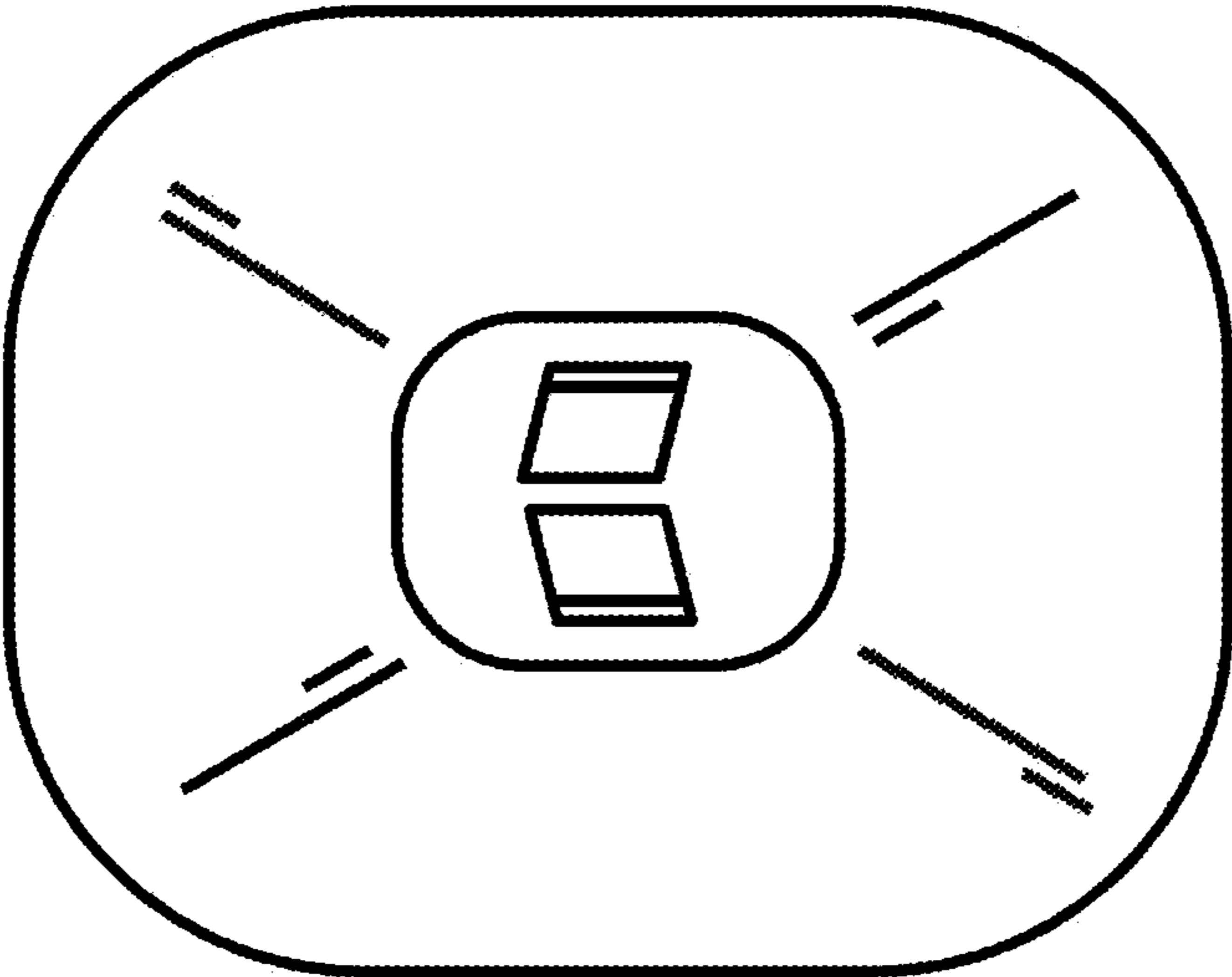


FIG. 1

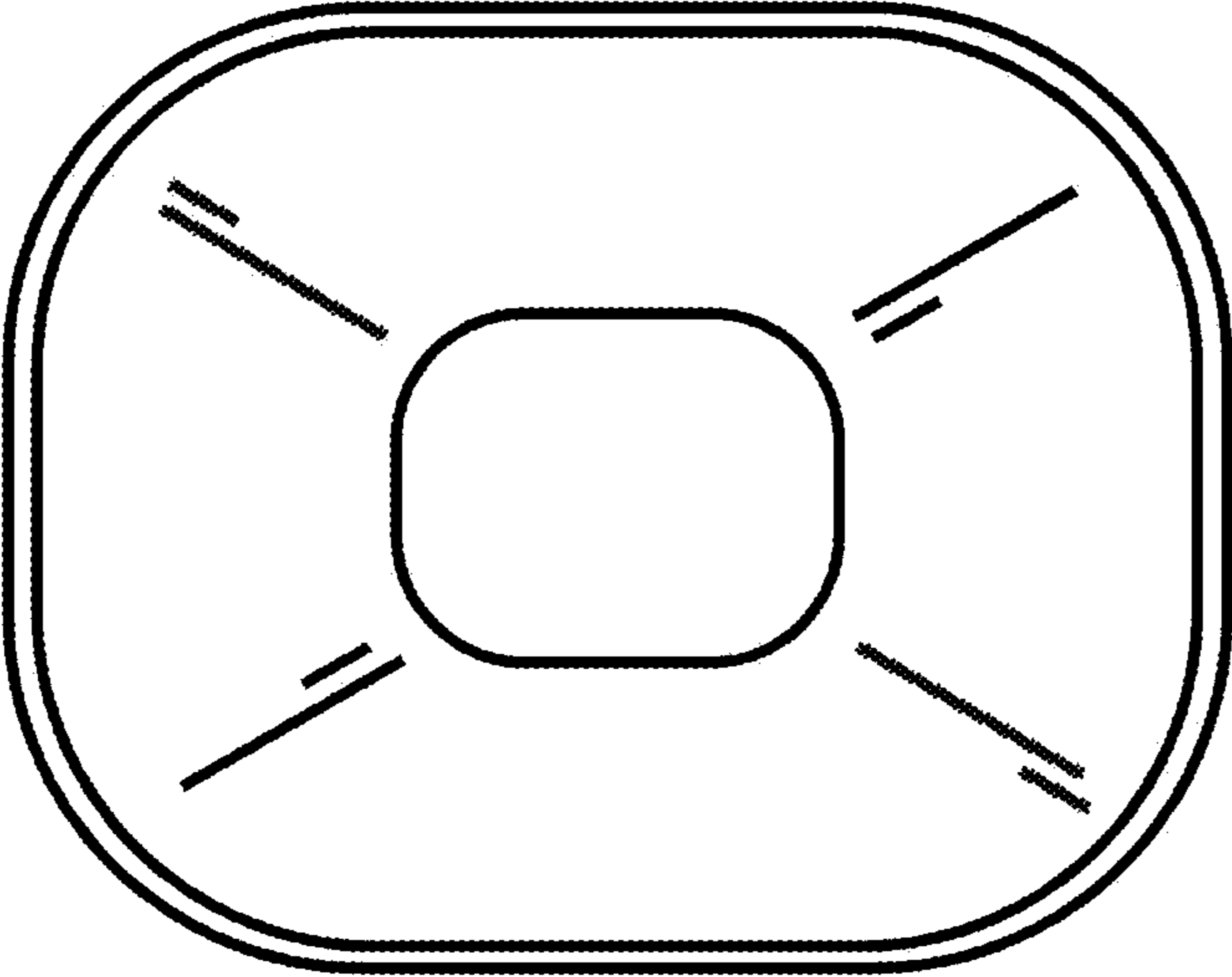


FIG. 2

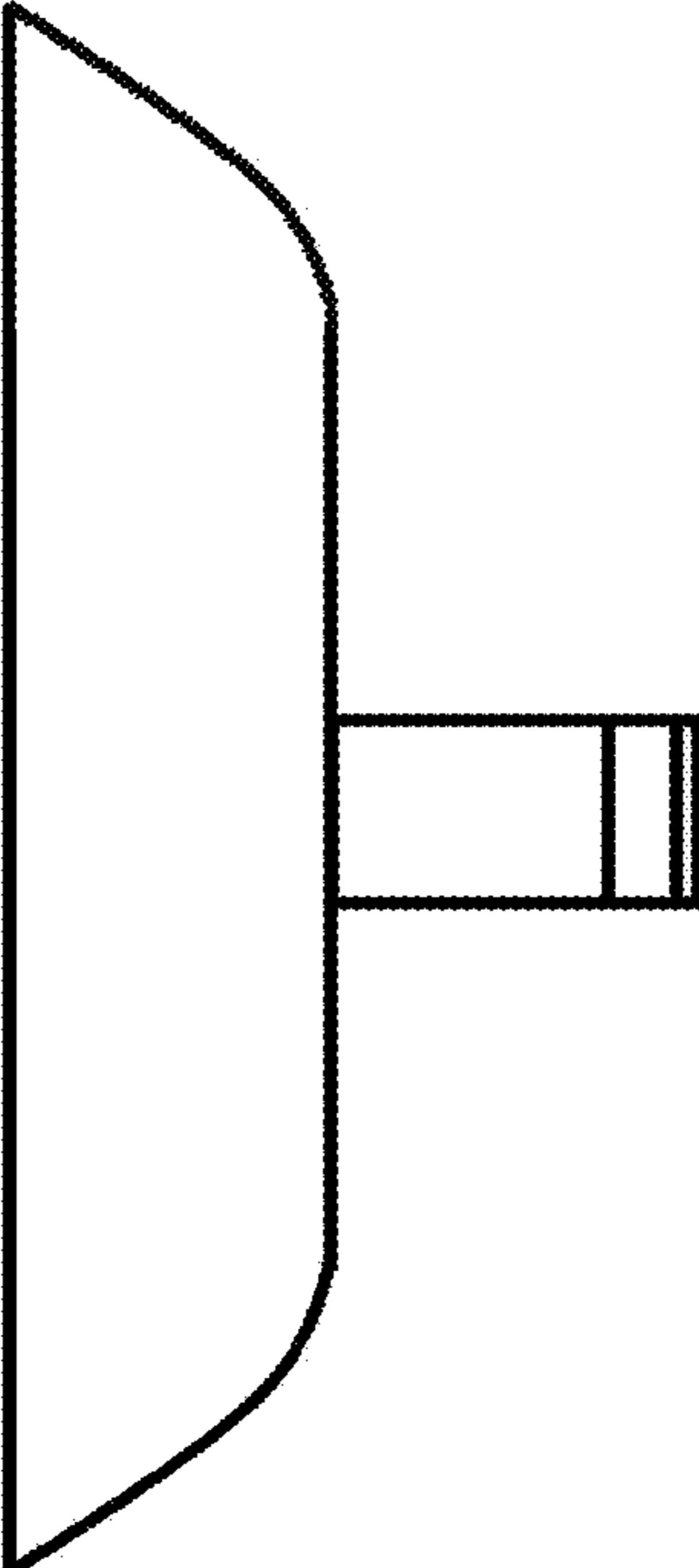


FIG. 3

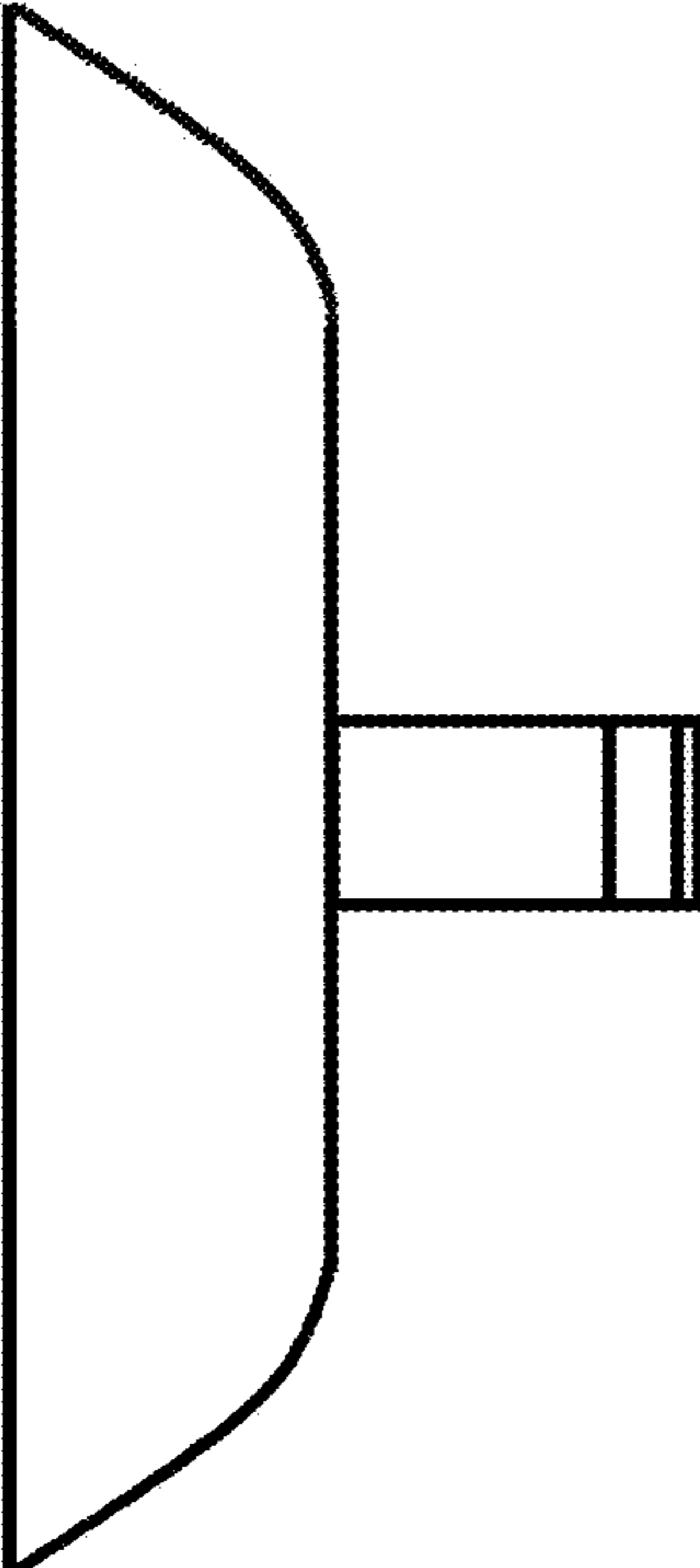


FIG. 4

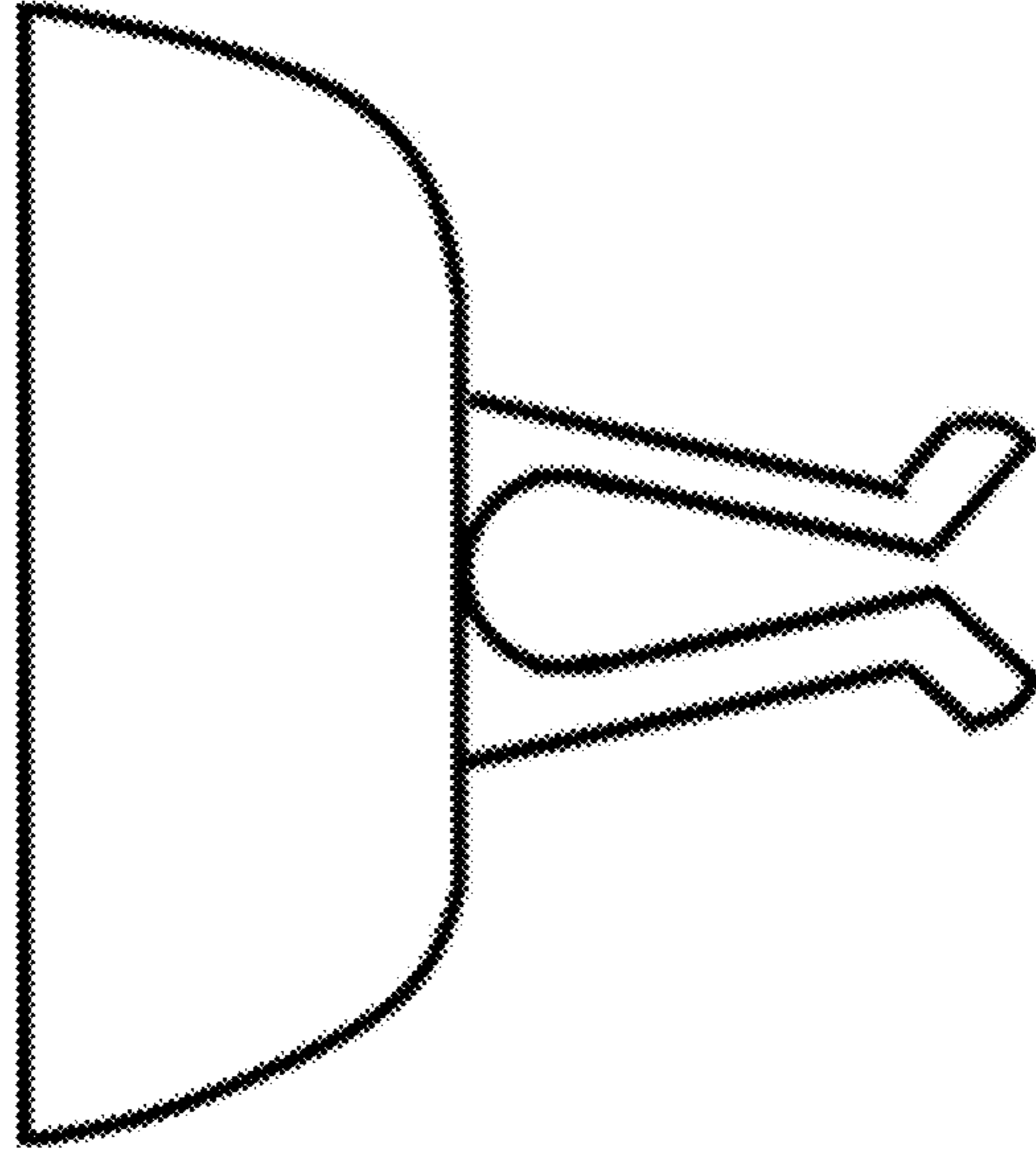


FIG. 6

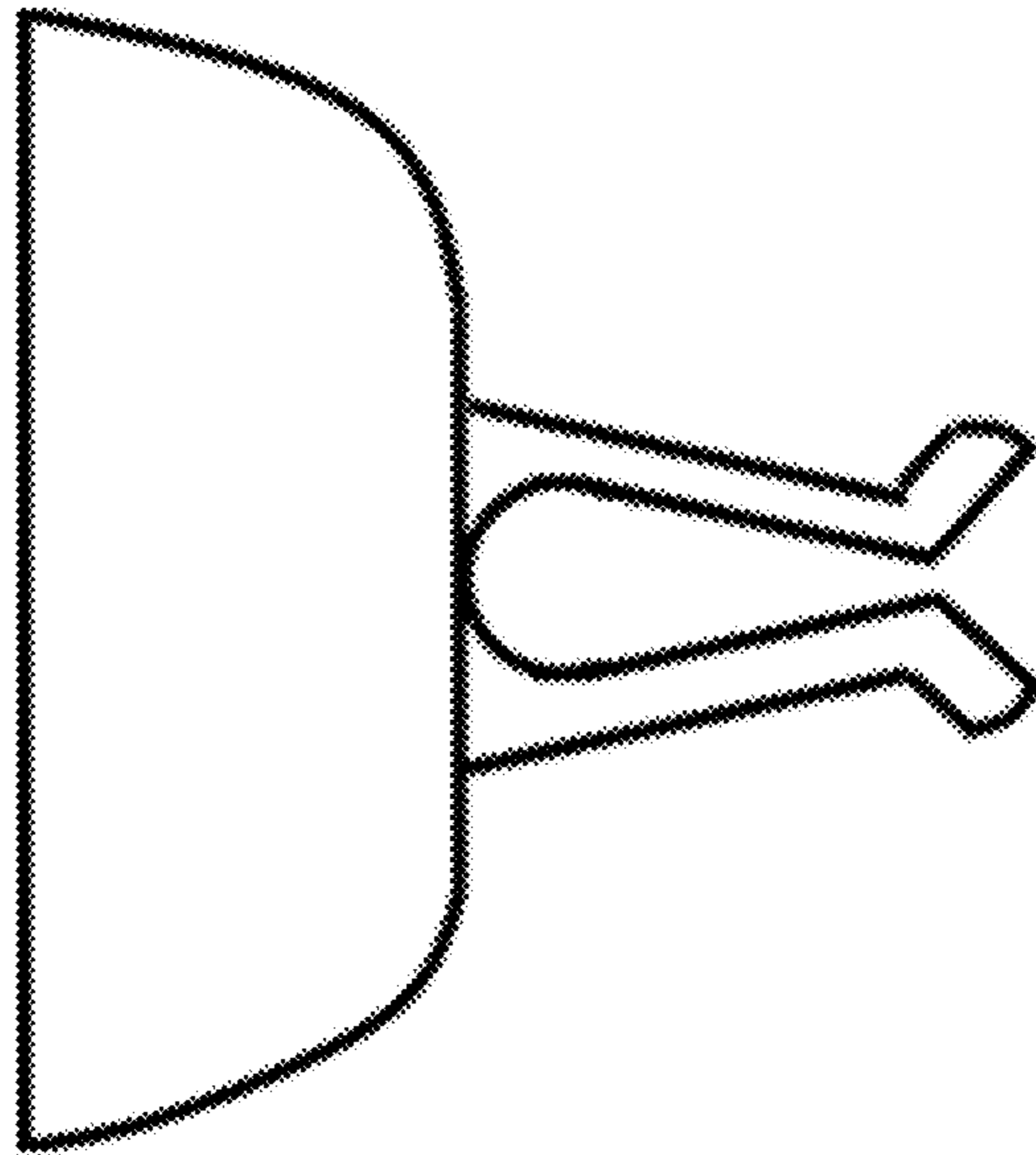


FIG. 5

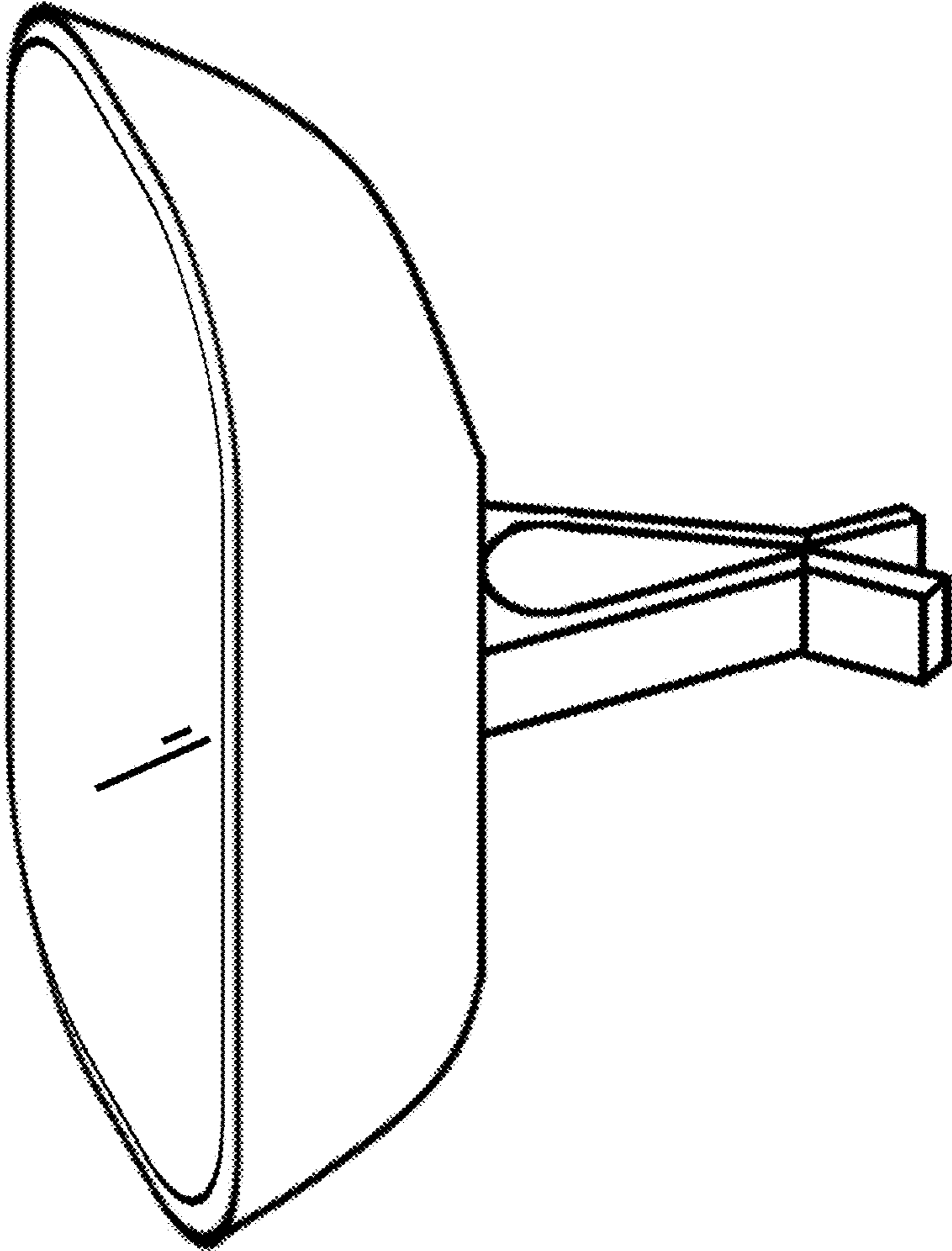


FIG. 7