



US00D773883S

(12) **United States Design Patent** (10) **Patent No.:** **US D773,883 S**
Elias (45) **Date of Patent:** **** Dec. 13, 2016**

(54) **BEVERAGE CUP LID**
(71) Applicant: **Lioncub Limited**, Dublin (IE)
(72) Inventor: **Michael Joseph Elias**, Dublin (IE)
(73) Assignee: **LIONCUB LIMITED**, Dublin (IE)
(**) Term: **15 Years**
(21) Appl. No.: **29/557,165**
(22) Filed: **Mar. 7, 2016**

Related U.S. Application Data

(62) Division of application No. 29/501,483, filed on Sep. 4, 2014.

(30) **Foreign Application Priority Data**

Mar. 6, 2014 (EM) 002419390-0001
Mar. 6, 2014 (EM) 002419390-0002

(51) **LOC (10) Cl.** **09-07**
(52) **U.S. Cl.**
USPC **D7/392.1**; D9/447

(58) **Field of Classification Search**
USPC D9/434-436, 440, 443, 445, 447, 454,
D9/456, 499; 220/711, 713, 739
CPC B65D 41/26; B65D 2543/00046
See application file for complete search history.

(56) **References Cited**

U.S. PATENT DOCUMENTS

4,441,623 A 4/1984 Antoniak
D380,678 S * 7/1997 Borgstede D9/440
D476,891 S * 7/2003 Clarke D9/447
D533,778 S * 12/2006 Hollis D9/447
D635,855 S * 4/2011 Smith D9/447
D655,160 S * 3/2012 Daniel D9/447

D686,074 S * 7/2013 Brinckerhoff D9/443
D696,941 S 1/2014 Kim
D696,942 S 1/2014 Kim
D696,943 S 1/2014 Kim
D704,053 S 5/2014 Kim
D705,058 S 5/2014 Kim
D716,654 S 11/2014 Dubitsky et al.
D716,656 S * 11/2014 Carregui D9/440
D720,615 S 1/2015 Panone et al.
D734,152 S 7/2015 Hager et al.
D739,233 S * 9/2015 Antal, Sr. D9/435
D739,238 S 9/2015 Kim
D739,243 S 9/2015 Plumlee et al.
2012/0267384 A1 10/2012 Bye et al.
2015/0166245 A1 6/2015 Elias et al.
2015/0201777 A1 7/2015 Kim

* cited by examiner

Primary Examiner — Robert M Spear
Assistant Examiner — Darcey E Heflin
(74) *Attorney, Agent, or Firm* — Greer, Burns & Crain, Ltd.

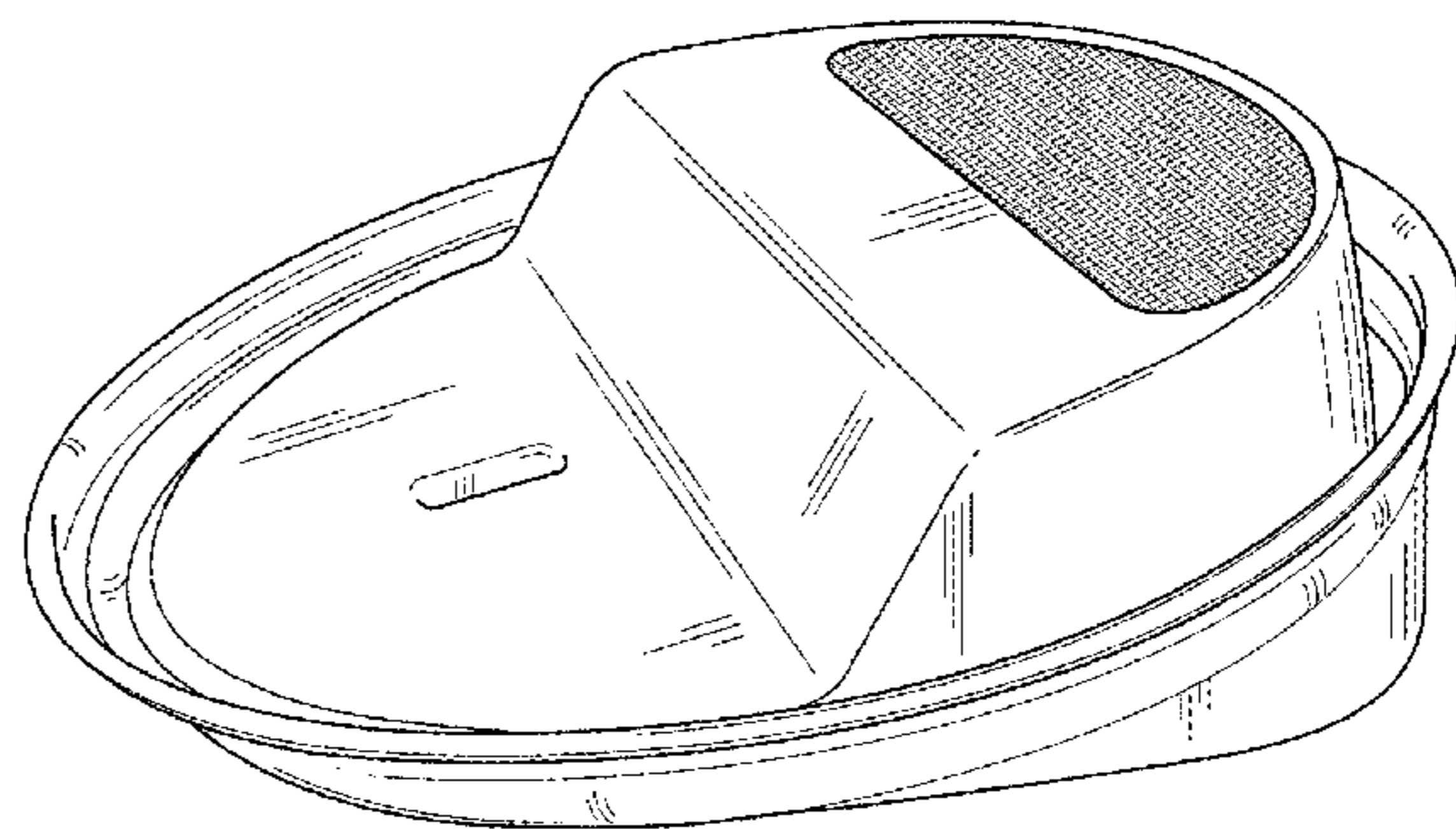
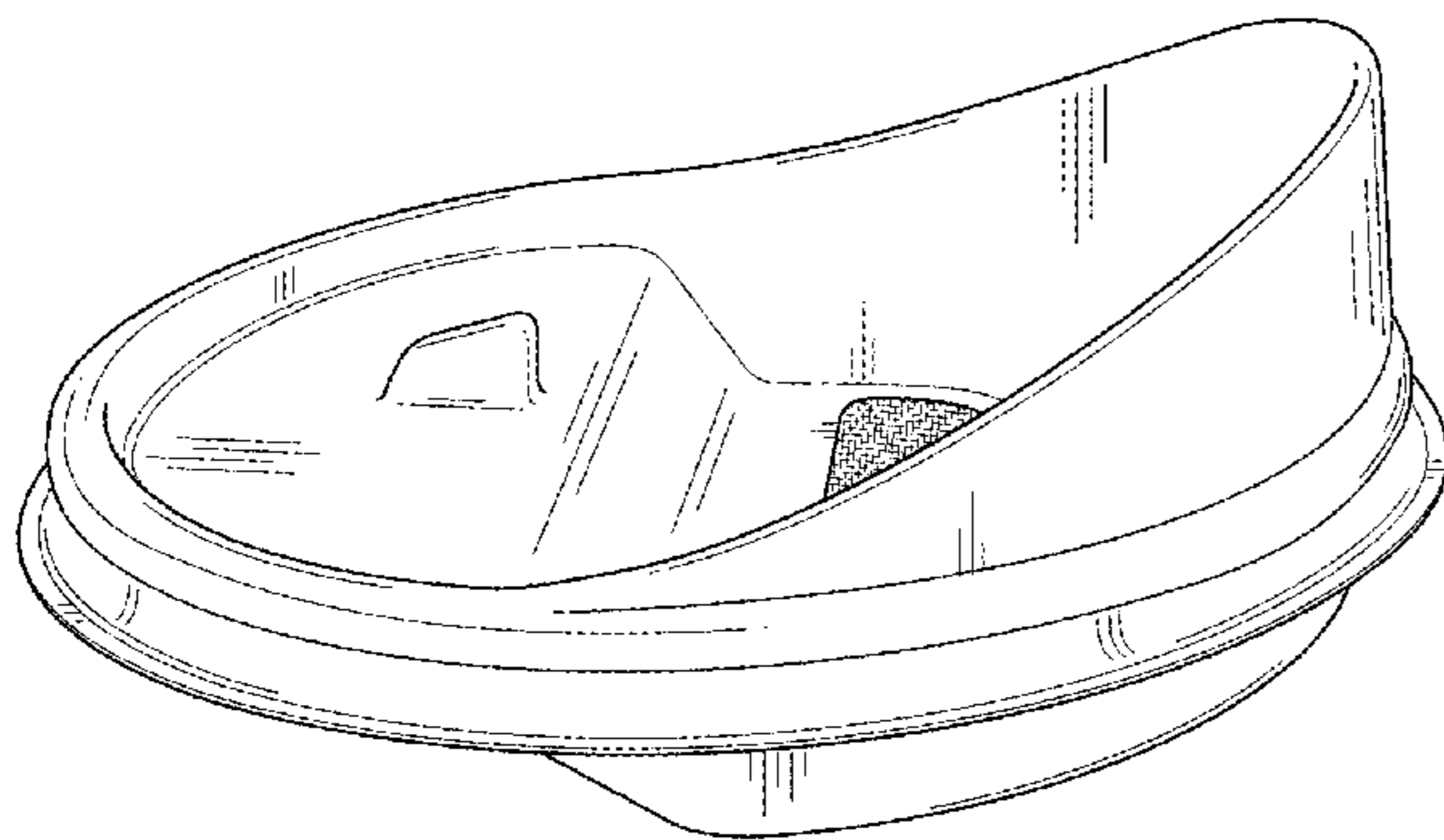
(57) **CLAIM**

The ornamental design for a beverage cup lid, as shown and described.

DESCRIPTION

FIG. 1 is a top perspective view of an embodiment of the present beverage cup lid;
FIG. 2 is a bottom perspective view of same;
FIG. 3 is a top view of the beverage cup lid of FIG. 1;
FIG. 4 is a bottom view of same;
FIG. 5 is a right side view of the beverage cup lid of FIG. 1, both sides being mirror images of each other; and,
FIG. 6 is a side perspective view of the beverage cup lid of FIG. 1 shown on a beverage cup.
The structure shown in broken lines is for environment purposes only and does not form part of the claimed design.

1 Claim, 6 Drawing Sheets



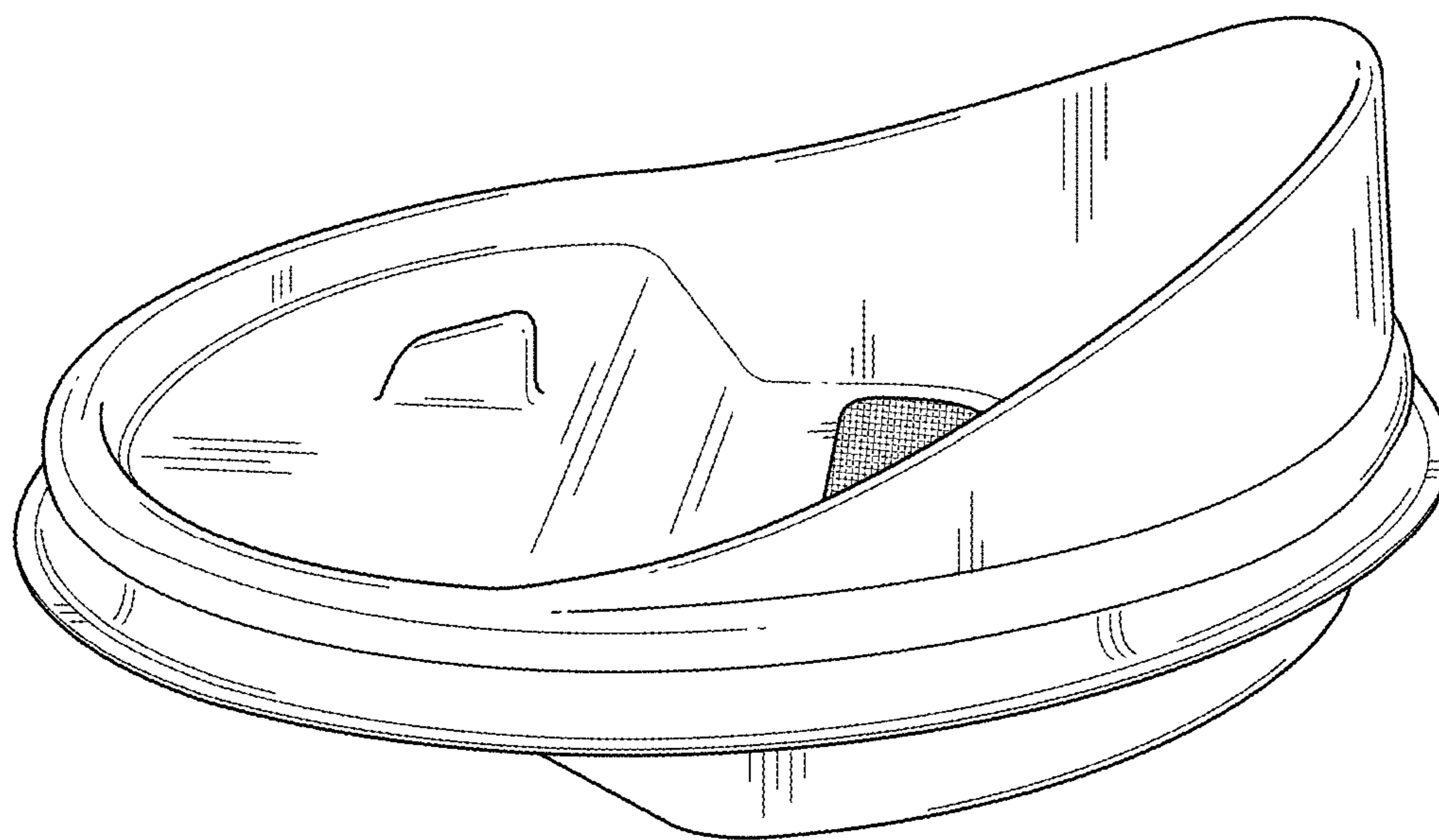


Figure 1

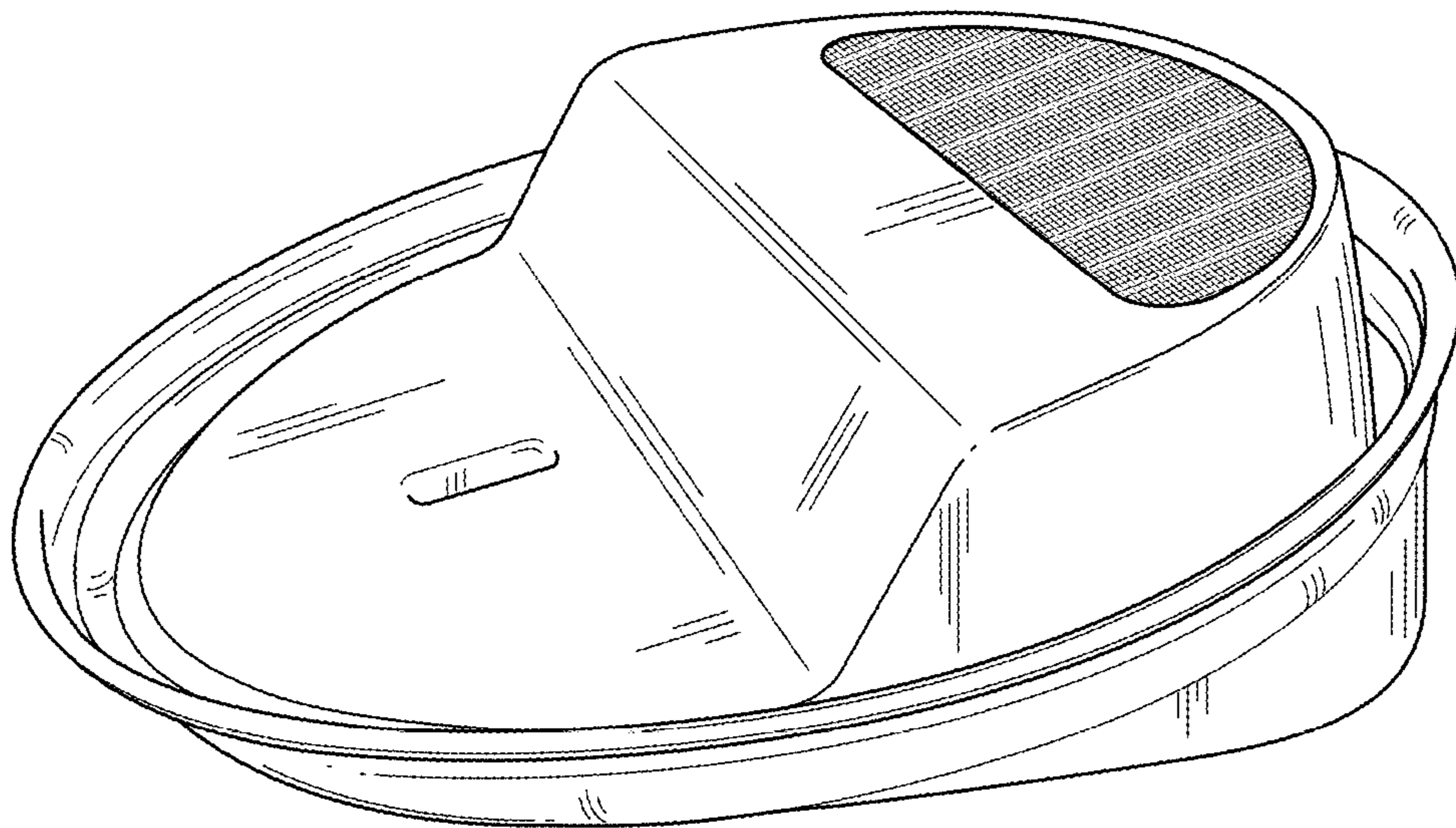


Figure 2

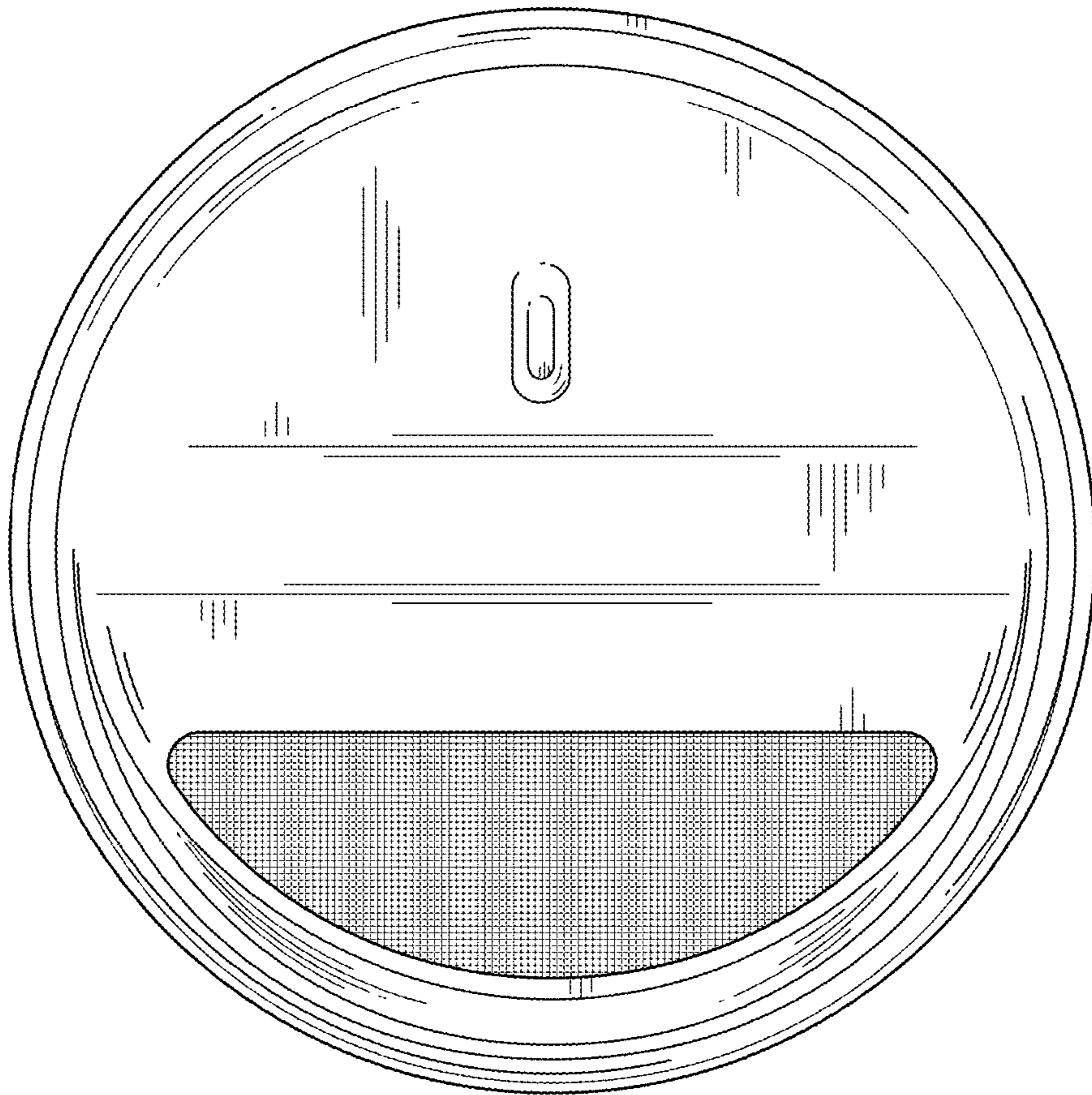


Figure 3

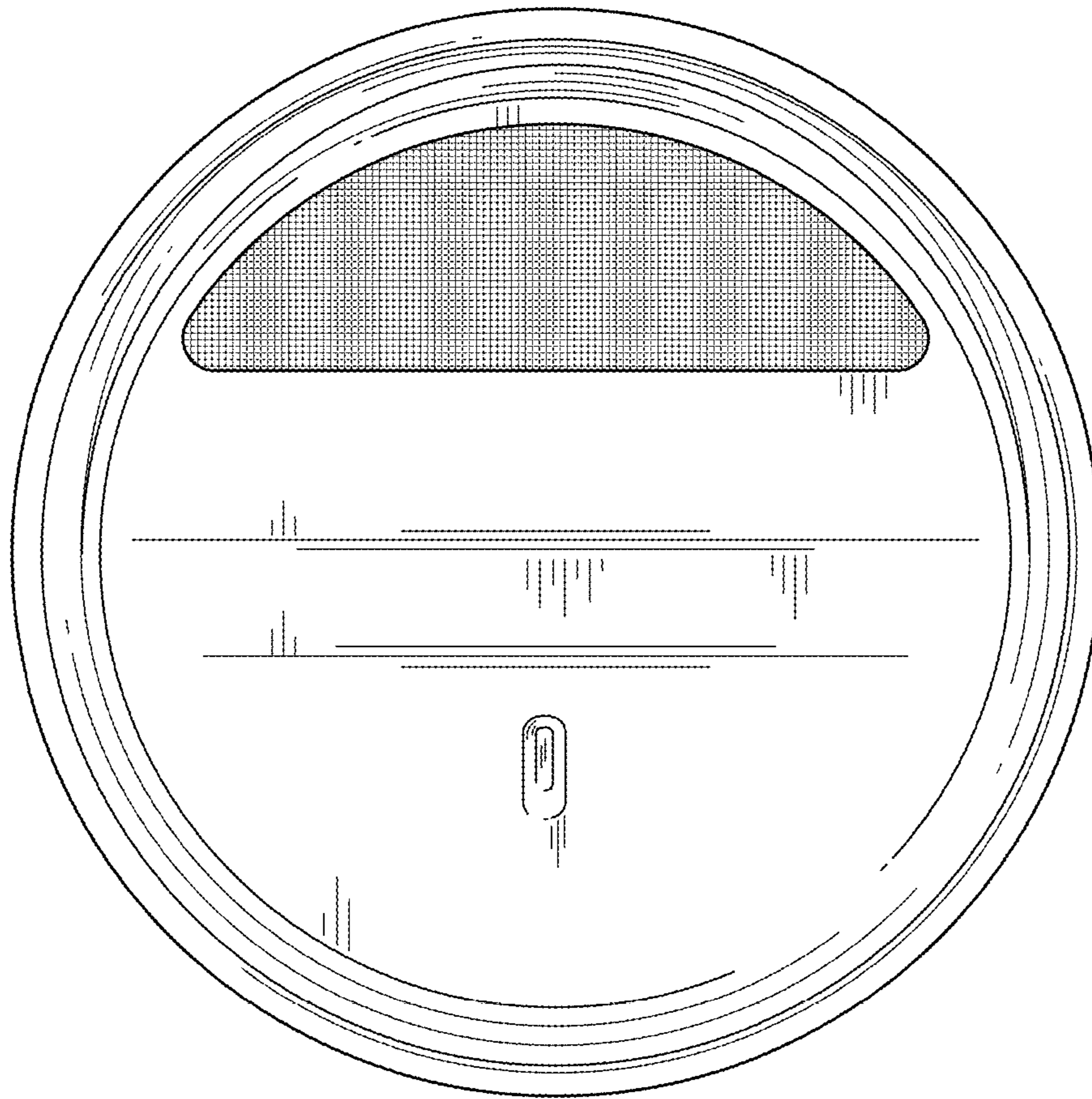


Figure 4

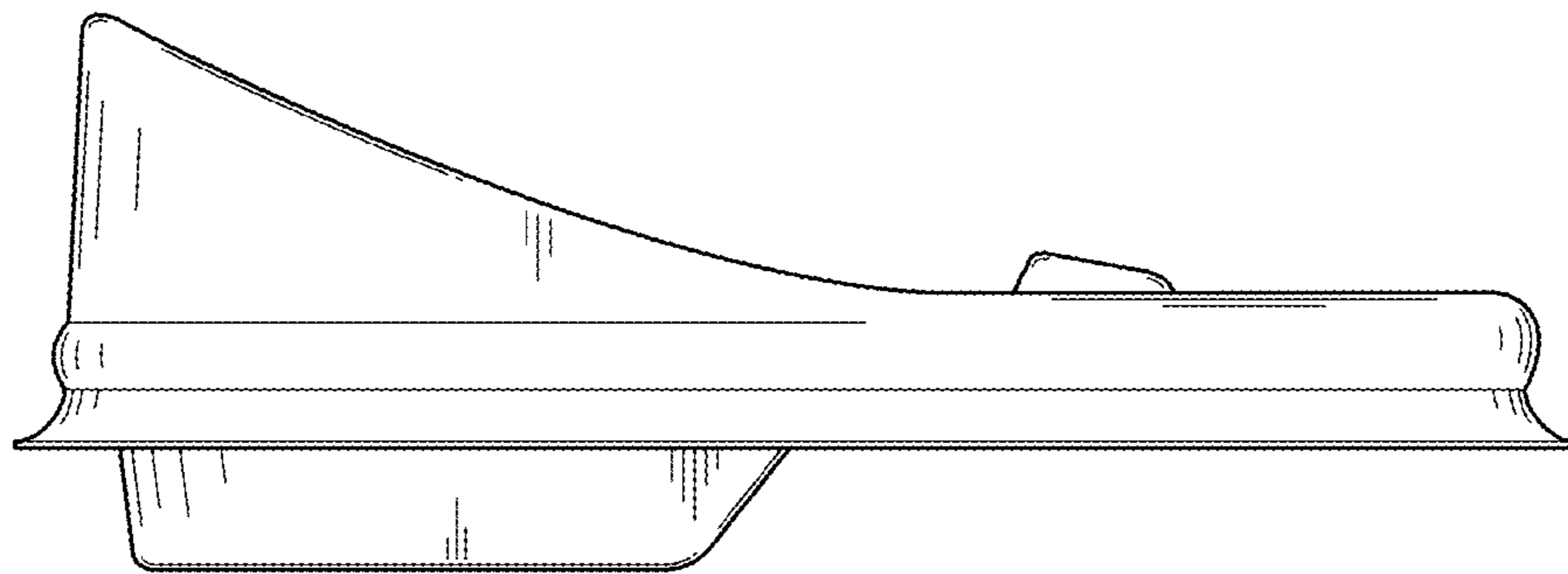


Figure 5

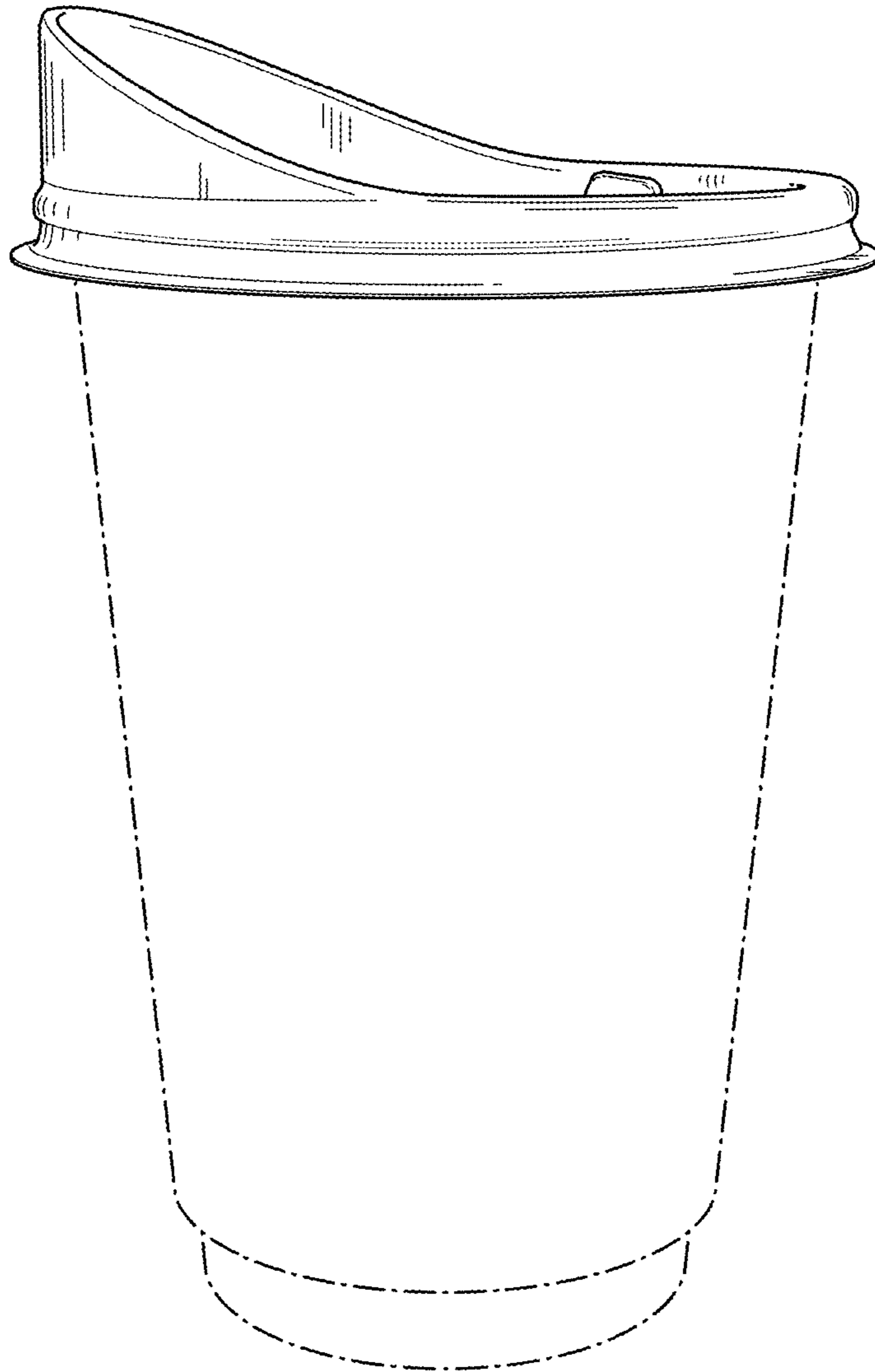


Figure 6